



US00D674661S

(12) **United States Design Patent**  
**Shevin-Sandy**

(10) **Patent No.:** **US D674,661 S**

(45) **Date of Patent:** **\*\* Jan. 22, 2013**

(54) **MIXING CUP WITH TIMER**

(75) Inventor: **Bonni Shevin-Sandy**, Morton Grove, IL  
(US)

(73) Assignee: **Dard Design International, LLC**,  
Skokie, IL (US)

(\*\*) Term: **14 Years**

(21) Appl. No.: **29/406,185**

(22) Filed: **Nov. 10, 2011**

(51) **LOC (9) Cl.** ..... **07-01**

(52) **U.S. Cl.** ..... **D7/507; D7/510; D7/533; D10/2**

(58) **Field of Classification Search** ..... **D7/300.1,**  
**D7/300.2, 510, 511, 507, 533, 536; D10/2,**  
**D10/15; 220/703, 705, 713**

See application file for complete search history.

(56) **References Cited**

**U.S. PATENT DOCUMENTS**

|           |      |         |                |       |         |
|-----------|------|---------|----------------|-------|---------|
| 1,927,184 | A *  | 9/1933  | Poplawski      | ..... | 366/314 |
| D231,068  | S *  | 4/1974  | Douglas        | ..... | D7/533  |
| 6,742,918 | B2 * | 6/2004  | Collins        | ..... | 362/509 |
| D493,068  | S *  | 7/2004  | Slater et al.  | ..... | D7/510  |
| D494,010  | S *  | 8/2004  | Yuen           | ..... | D7/511  |
| 6,852,954 | B1 * | 2/2005  | Liu et al.     | ..... | 219/436 |
| 6,864,462 | B2 * | 3/2005  | Sanoner et al. | ..... | 219/387 |
| D512,269  | S *  | 12/2005 | Trombly        | ..... | D7/510  |
| D542,093  | S *  | 5/2007  | Meehan         | ..... | D7/507  |
| D545,128  | S *  | 6/2007  | Liu et al.     | ..... | D7/507  |
| D548,522  | S *  | 8/2007  | Greenspon      | ..... | D7/507  |
| D548,524  | S *  | 8/2007  | Meehan         | ..... | D7/507  |
| D554,435  | S *  | 11/2007 | Carreno et al. | ..... | D7/533  |
| D587,967  | S *  | 3/2009  | Wahl           | ..... | D7/510  |
| D598,242  | S *  | 8/2009  | Kusher         | ..... | D7/507  |

|          |     |         |                |       |        |
|----------|-----|---------|----------------|-------|--------|
| D598,243 | S * | 8/2009  | Gilbert et al. | ..... | D7/533 |
| D599,223 | S * | 9/2009  | Bialek-Wester  | ..... | D10/40 |
| D600,073 | S * | 9/2009  | Carreno        | ..... | D7/523 |
| D606,808 | S * | 12/2009 | Germann        | ..... | D7/510 |
| D613,188 | S * | 4/2010  | Bialek-Wester  | ..... | D10/40 |
| D615,358 | S * | 5/2010  | Wahl           | ..... | D7/510 |
| D632,926 | S * | 2/2011  | Gilbert et al. | ..... | D7/510 |
| D652,254 | S * | 1/2012  | Dancsecs       | ..... | D7/510 |
| D667,269 | S * | 9/2012  | Pallotto       | ..... | D7/510 |

\* cited by examiner

*Primary Examiner* — Marianne Pandozzi

(74) *Attorney, Agent, or Firm* — The Soni Law Firm

(57) **CLAIM**

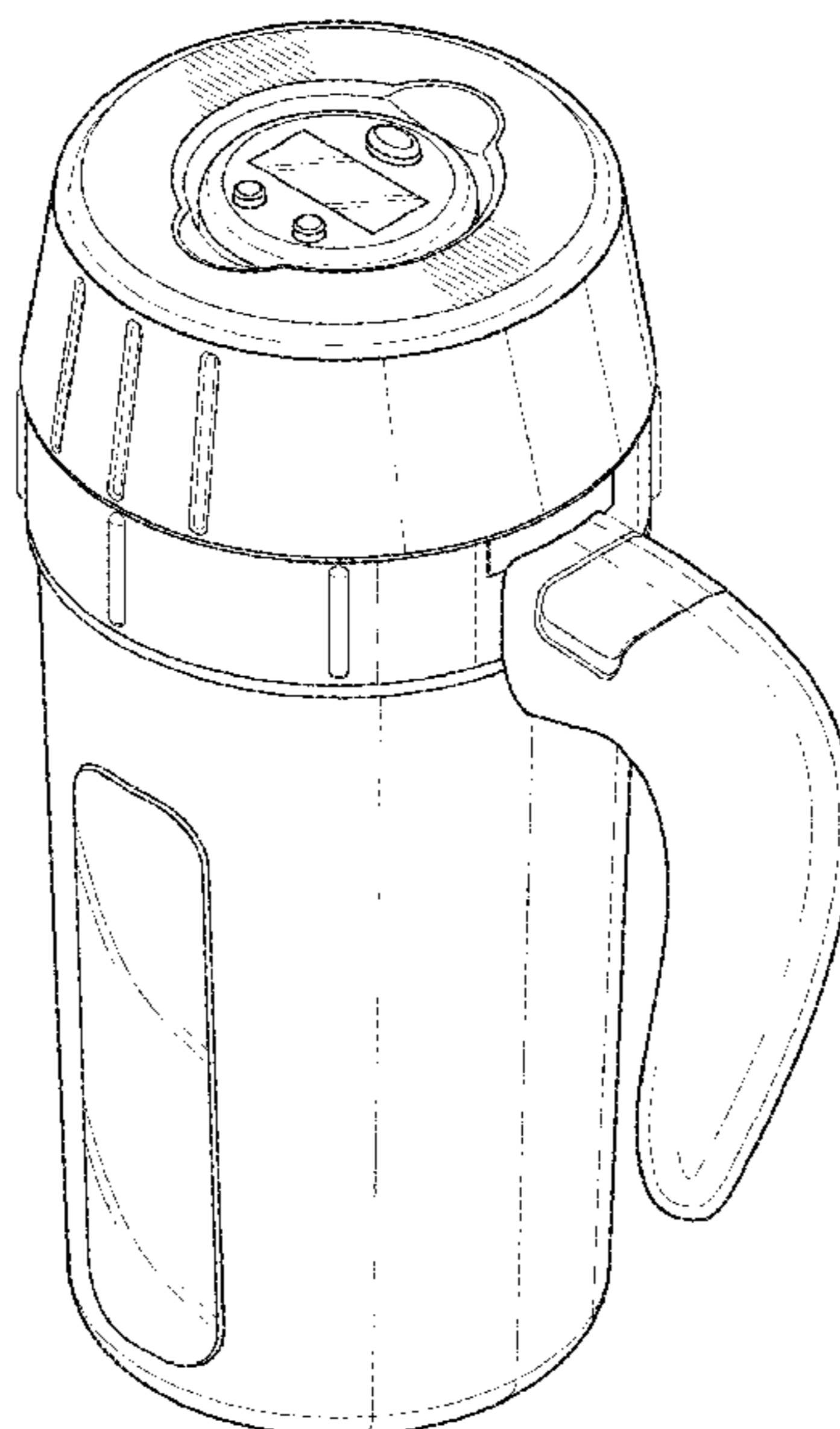
The ornamental design for the mixing cup with timer, as shown and described.

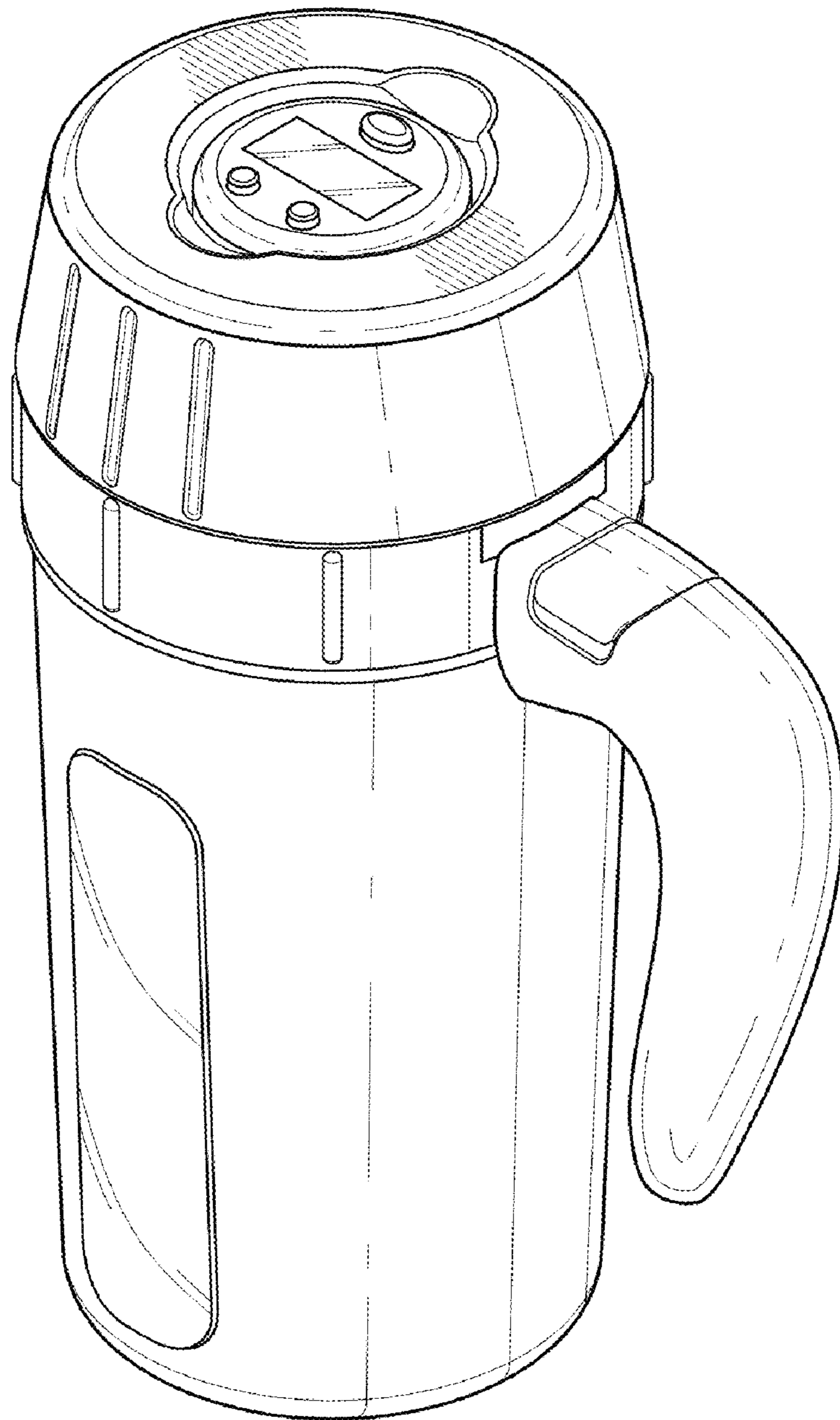
**DESCRIPTION**

A portion of the disclosure of this patent document contains material to which a claim for copyright is made. The copyright owner has no objection to the facsimile reproduction by anyone of the patent document or the patent disclosure, as it appears in the Patent and Trademark Office patent file or records, but reserves all other copyright rights whatsoever.

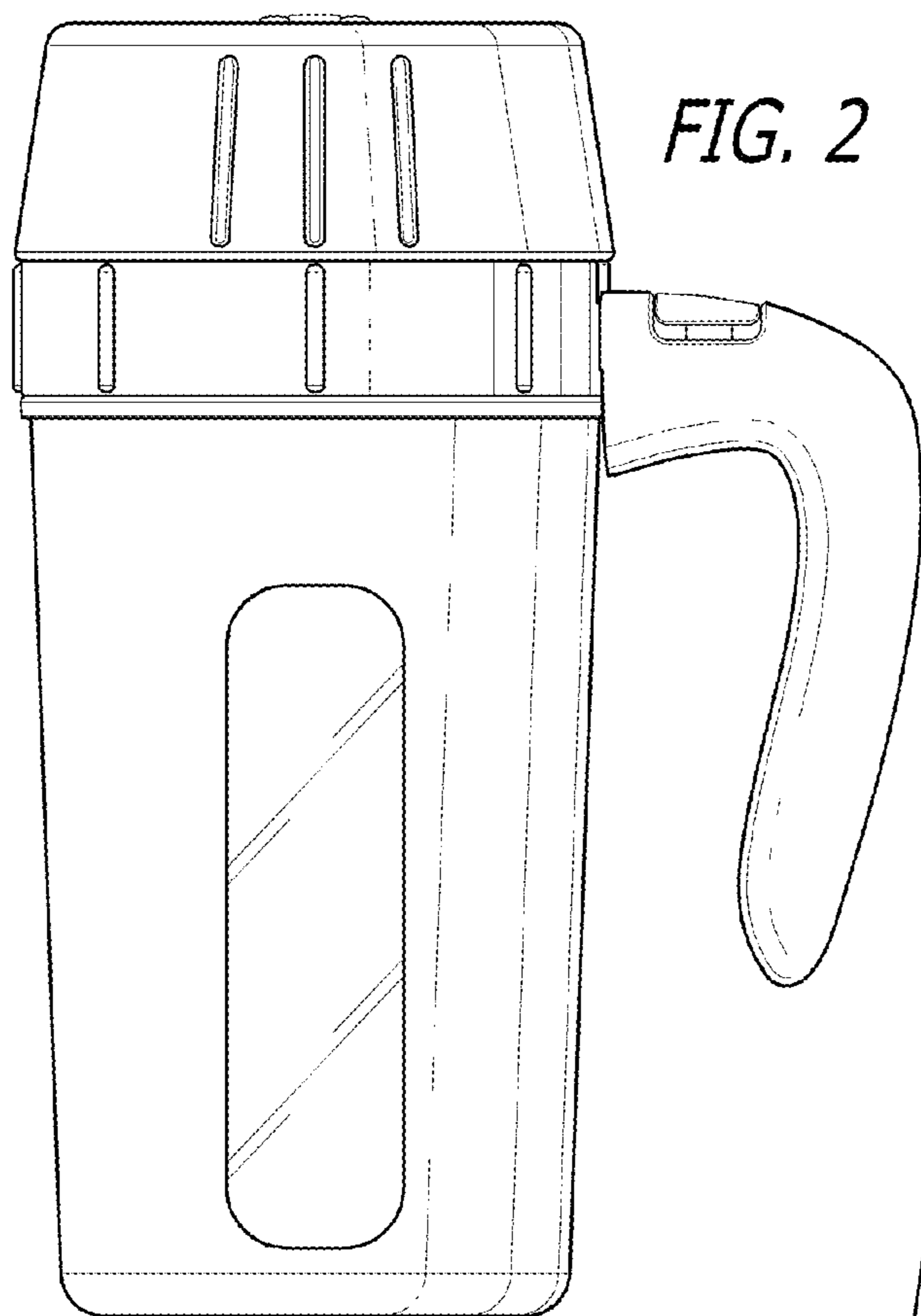
FIG. 1 is a top side perspective view of the mixing cup with timer showing my new design;  
FIG. 2 is a front elevational view thereof;  
FIG. 3 is a rear elevational view thereof;  
FIG. 4 is a right side elevational view thereof;  
FIG. 5 is a left side elevational view thereof;  
FIG. 6 is a top plan view thereof; and,  
FIG. 7 is a bottom plan view thereof.

**1 Claim, 4 Drawing Sheets**

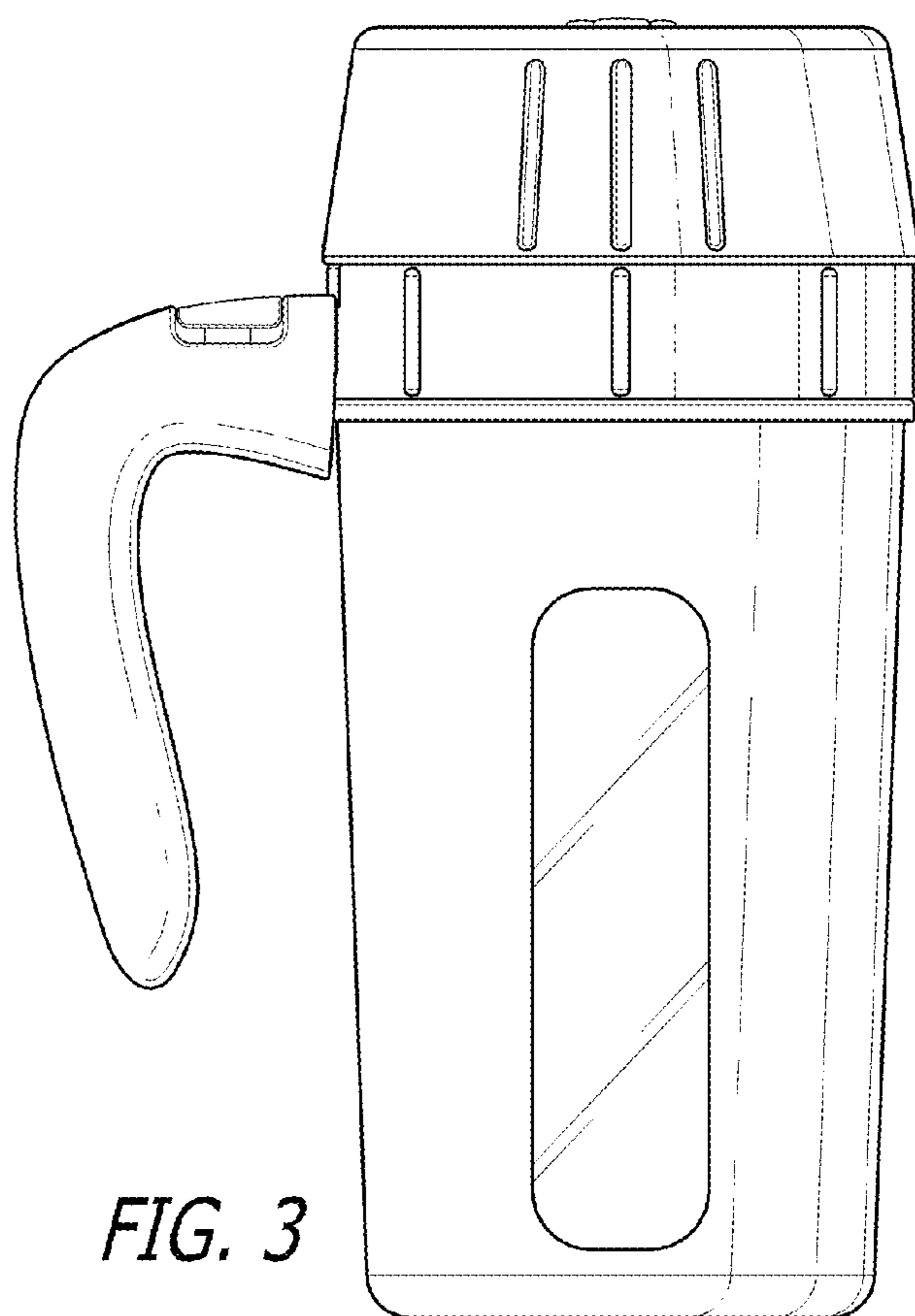




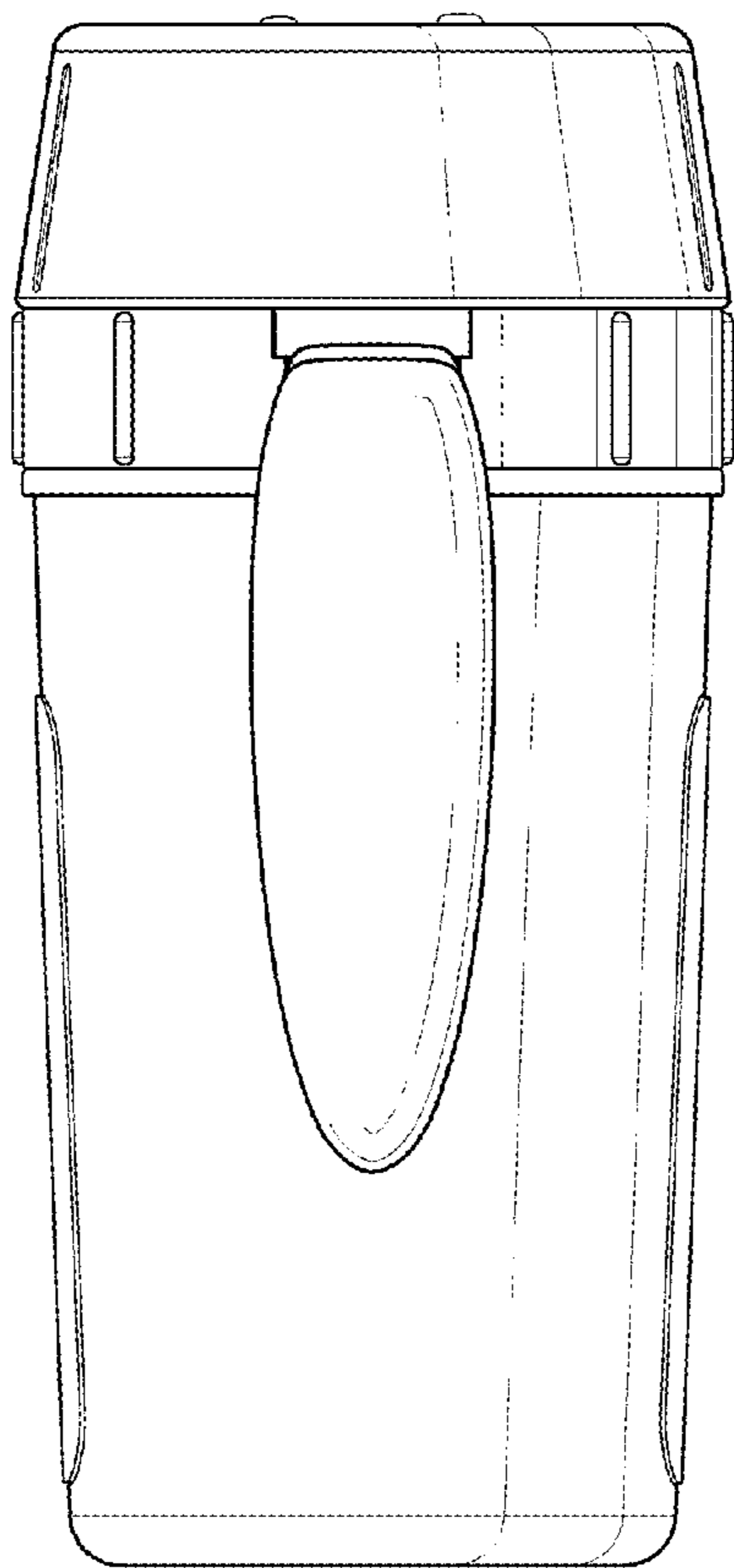
*FIG. 1*



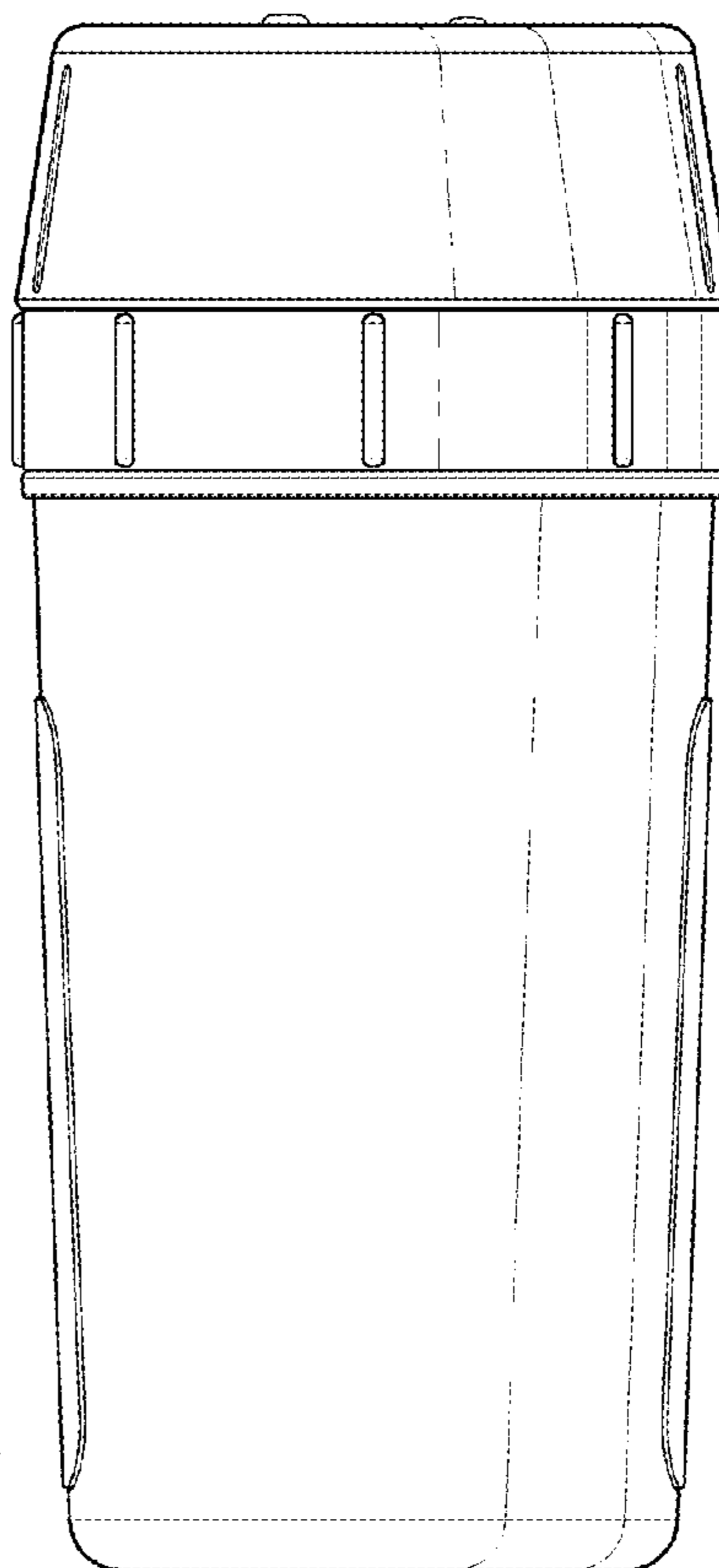
*FIG. 2*



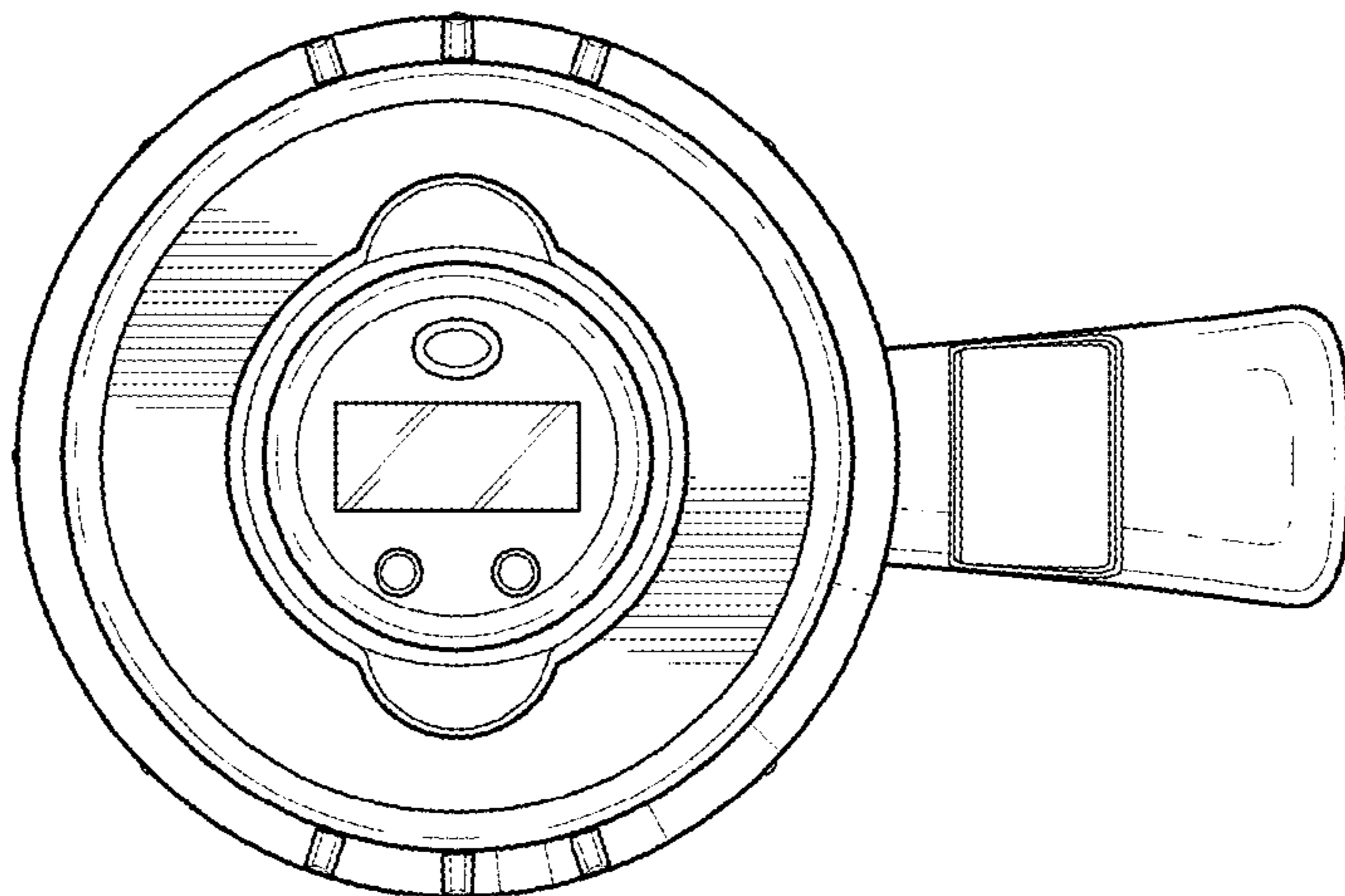
*FIG. 3*



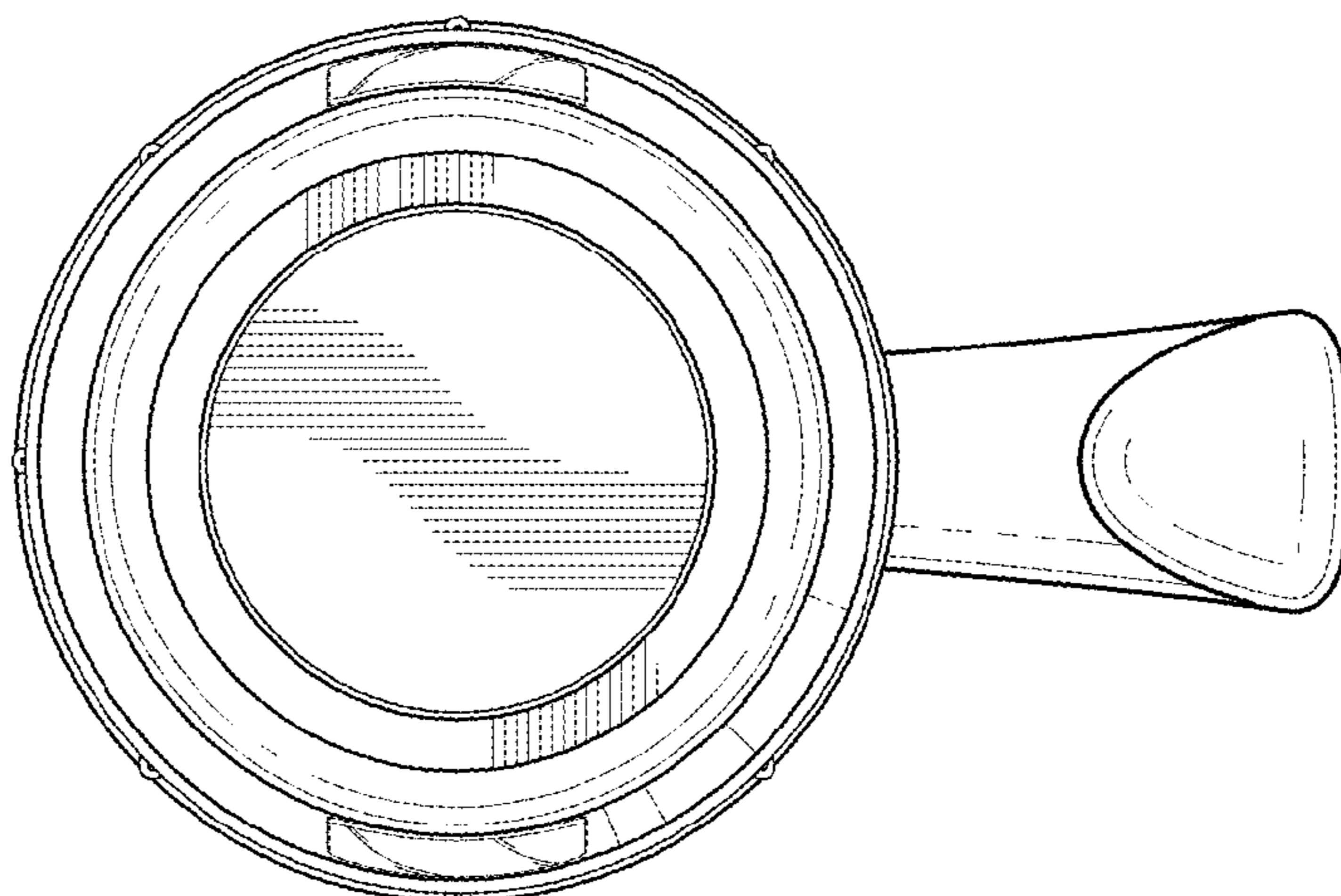
*FIG. 4*



*FIG. 5*



*FIG. 6*



*FIG. 7*