



US00D674660S

(12) **United States Design Patent**  
**Chen**

(10) **Patent No.:** **US D674,660 S**

(45) **Date of Patent:** **\*\* Jan. 22, 2013**

(54) **COVER FOR A COOKING VESSEL**

(75) Inventor: **Rui Yuan Chen**, Oxford (GB)

(73) Assignee: **Dart Industries Inc.**, Orlando, FL (US)

(\*\*) Term: **14 Years**

(21) Appl. No.: **29/395,592**

(22) Filed: **Feb. 24, 2012**

(51) **LOC (9) Cl.** ..... **07-02**

(52) **U.S. Cl.** ..... **D7/391; D7/354**

(58) **Field of Classification Search** ..... D7/323,  
D7/329-332, 337, 339, 346-347, 350.1-350.4,  
D7/354-363, 391, 393, 395, 402, 408-409,  
D7/505, 538, 542, 549, 587, 667; D9/443;  
99/324-325, 331-332, 337-340, 396, 400-418,  
99/425, 444-446, 450; 126/9 R, 25 A, 25 R,  
126/41 R, 166, 275 R, 332, 380.1, 390.1;  
206/501-505, 507-508; 219/400, 405, 435-442,  
219/620-624, 725, 730-735; 220/314, 485,  
220/491, 573.1-573.5, 759, 912; 426/438,  
426/441, 523

See application file for complete search history.

(56) **References Cited**

**U.S. PATENT DOCUMENTS**

D192,257 S *	2/1962	Ebstein	.....	D7/393
4,201,312 A *	5/1980	Basile	.....	220/314
D445,631 S *	7/2001	Elorza	.....	D7/358
D448,965 S *	10/2001	Jang-Won	.....	D7/360
D495,922 S *	9/2004	Settele	.....	D7/391
D521,313 S *	5/2006	Pukall et al.	.....	D7/361
D534,031 S *	12/2006	Roussard	.....	D7/358
D543,772 S *	6/2007	Roussard	.....	D7/358

D579,714 S *	11/2008	Cheng et al.	.....	D7/360
D588,397 S *	3/2009	Naef et al.	.....	D7/354
D619,892 S *	7/2010	Welk et al.	.....	D9/443
D650,628 S *	12/2011	Pallotto	.....	D7/391
2012/0174797 A1 *	7/2012	Froza	.....	99/325

\* cited by examiner

*Primary Examiner* — Ricky Pham

(74) *Attorney, Agent, or Firm* — John A. Doninger

(57) **CLAIM**

The ornamental design for a cover for a cooking vessel, as shown and described.

**DESCRIPTION**

FIG. 1 is a top, side and front perspective view of the first embodiment of a cover for a cooking vessel showing my new design;

FIG. 2 is a front elevation view thereof;

FIG. 3 is a rear elevation view thereof;

FIG. 4 is a right side elevation view thereof;

FIG. 5 is a left side elevation view thereof;

FIG. 6 is a top plan view thereof;

FIG. 7 is a bottom plan view thereof;

FIG. 8 is a top, side and front perspective view of the second embodiment of a cover for a cooking vessel showing my new design;

FIG. 9 is a front elevation view thereof;

FIG. 10 is a rear elevation view thereof;

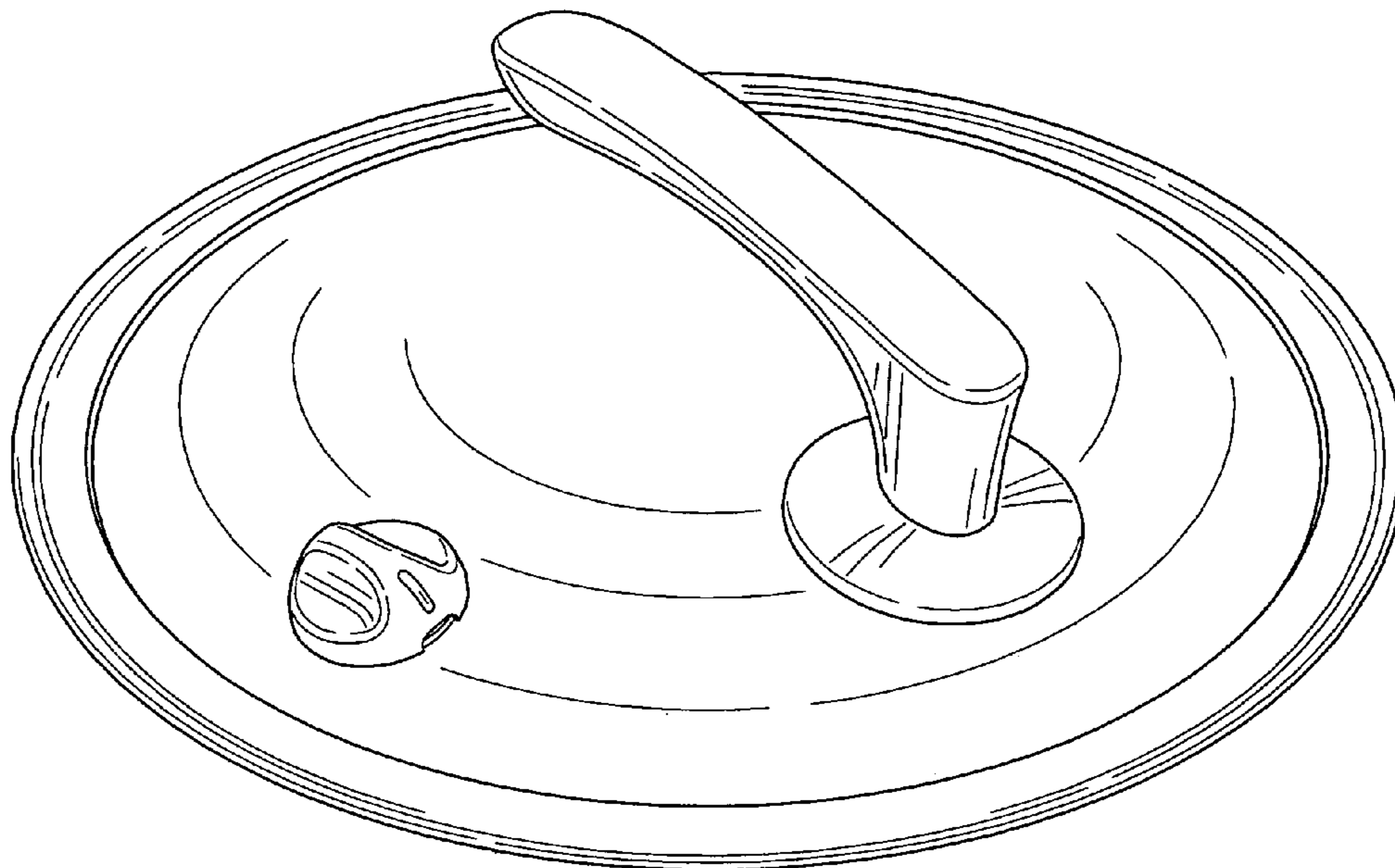
FIG. 11 is a right side elevation view thereof;

FIG. 12 is a left side elevation view thereof;

FIG. 13 is a top plan view thereof; and,

FIG. 14 is a bottom plan view thereof.

**1 Claim, 8 Drawing Sheets**



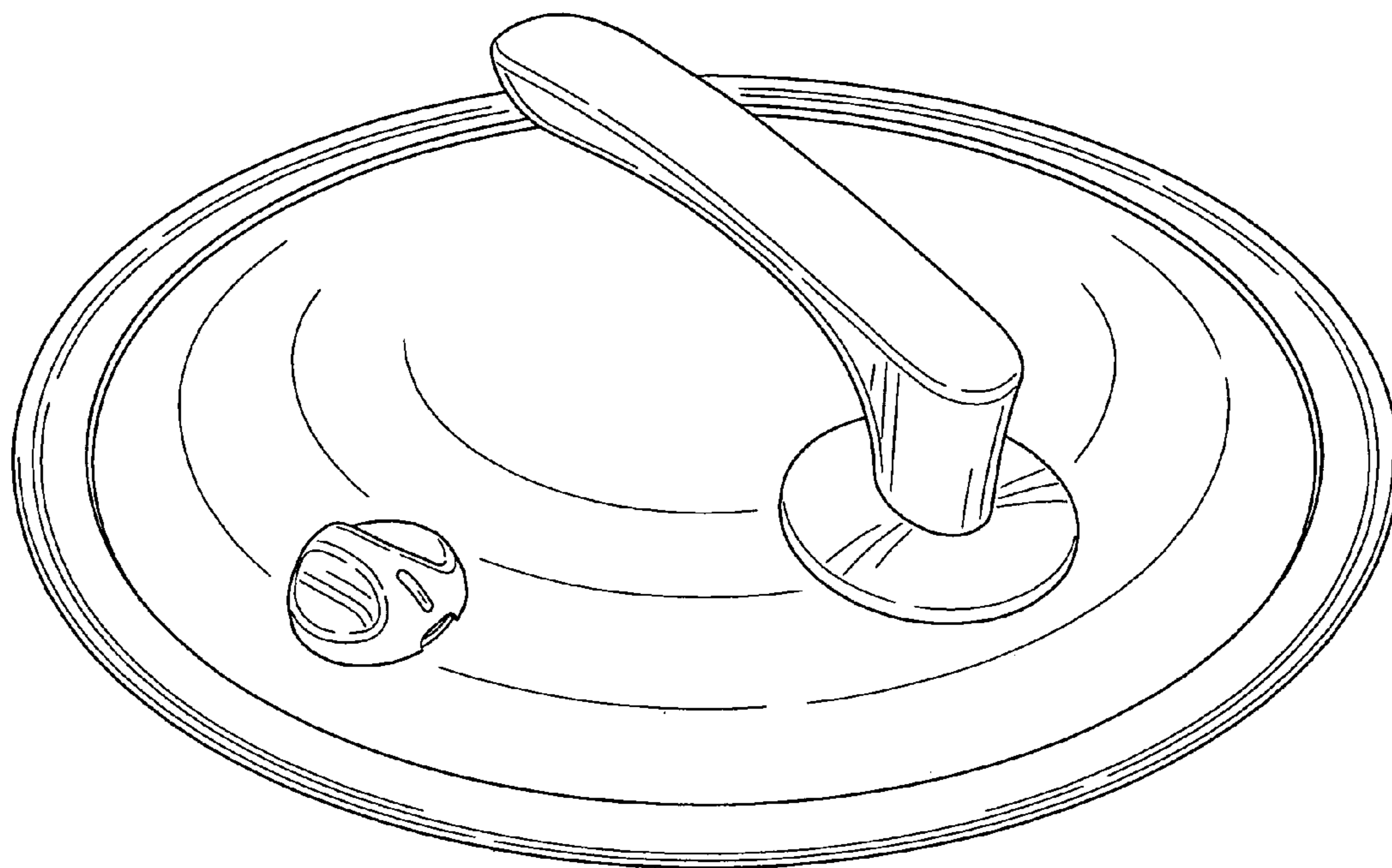


FIG. 1

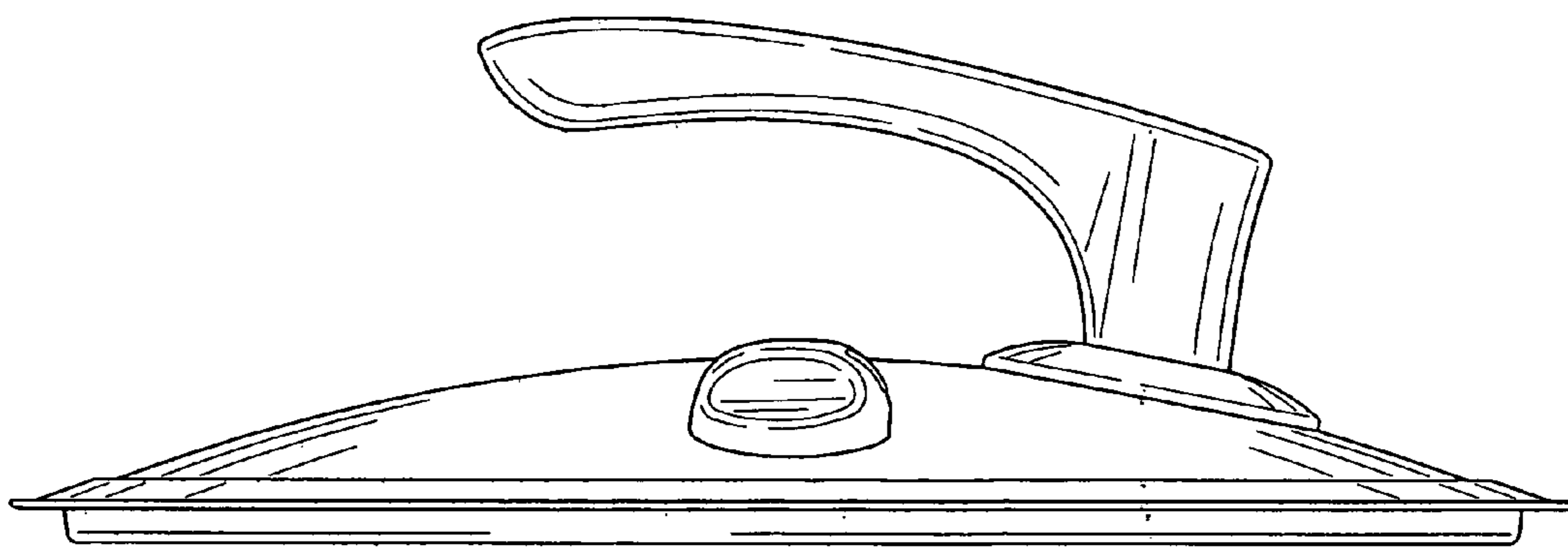


FIG. 2

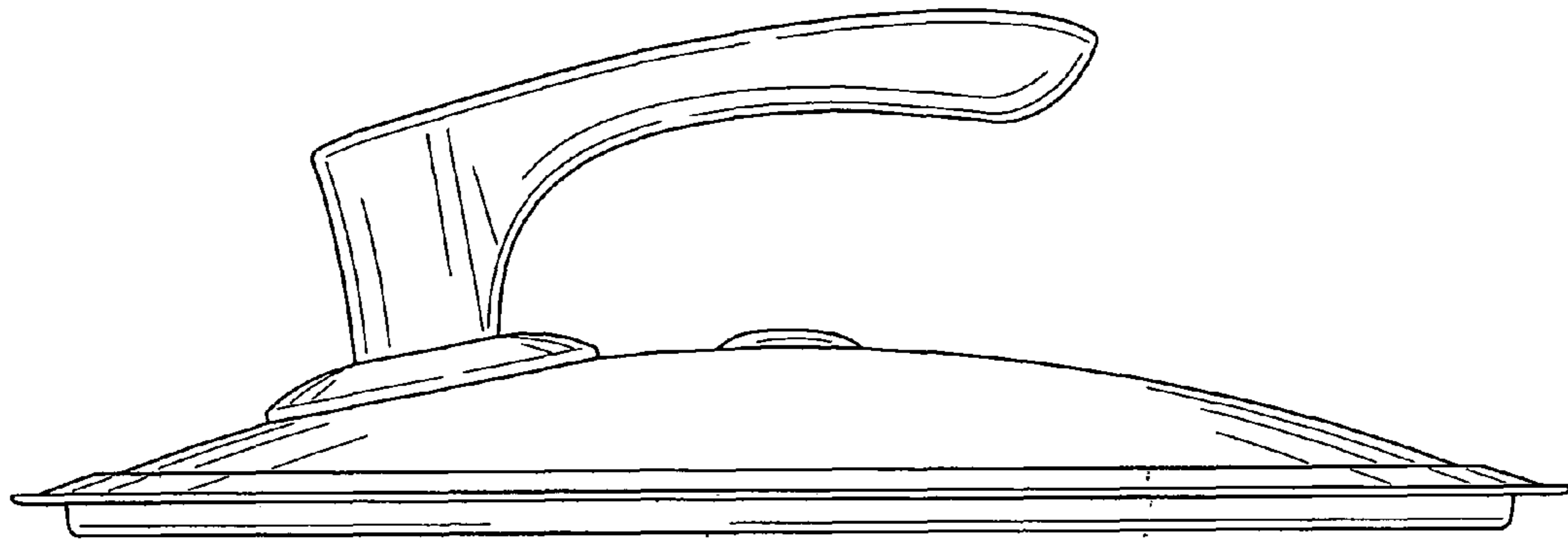


FIG. 3

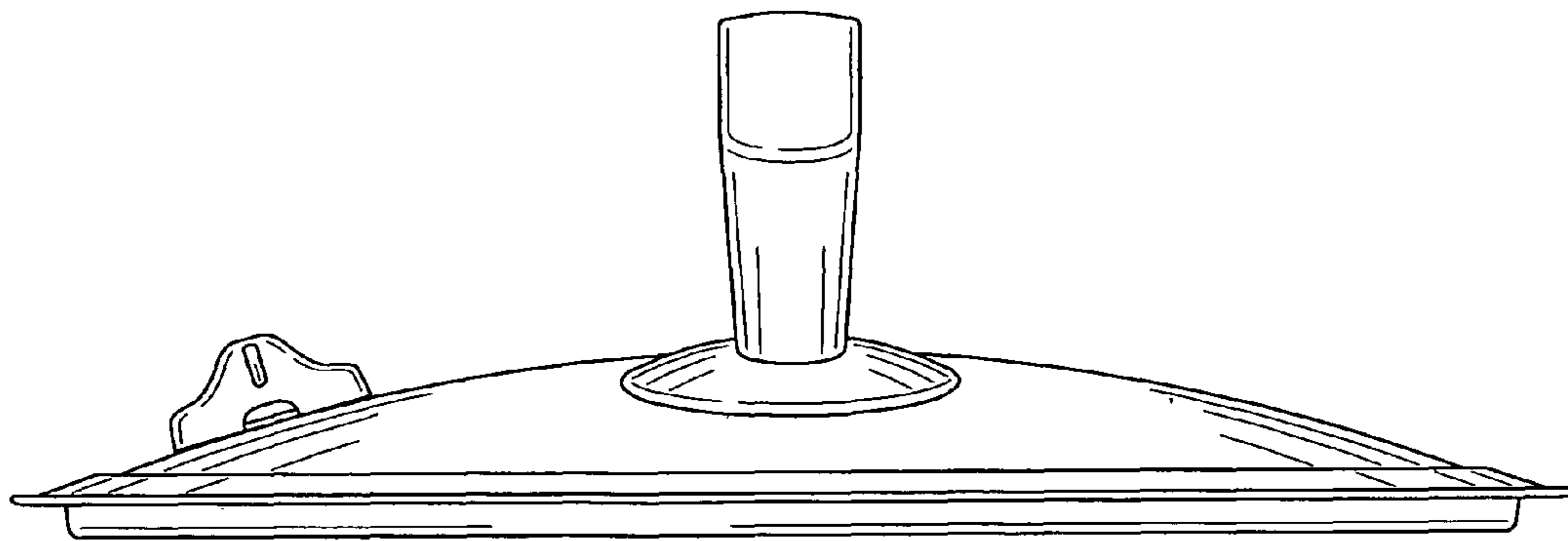


FIG. 4

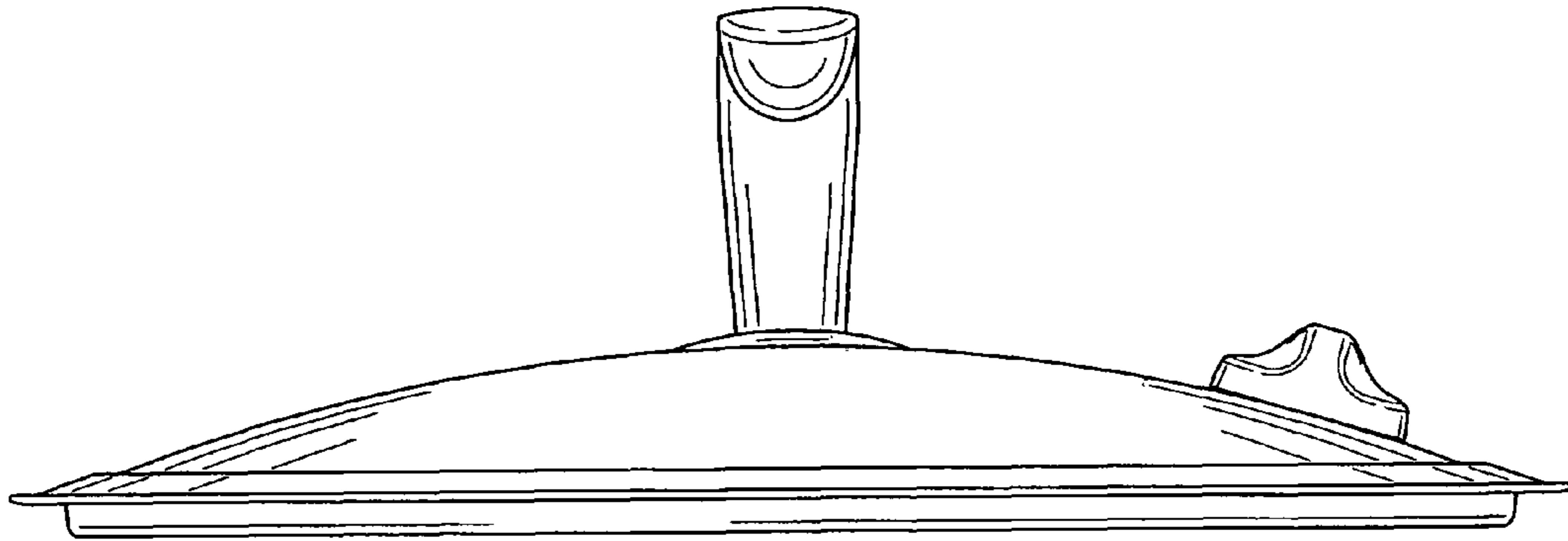


FIG. 5

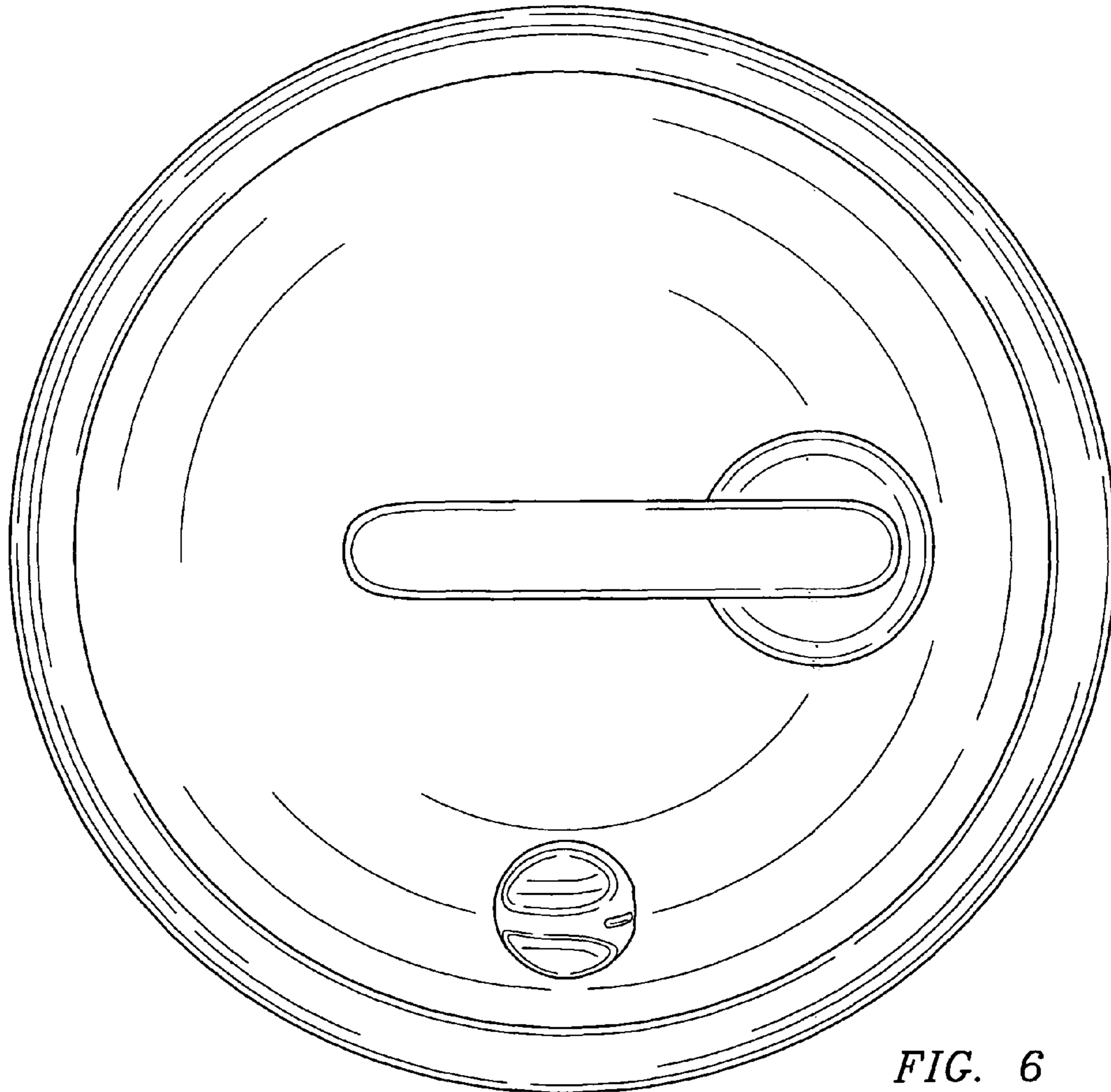


FIG. 6

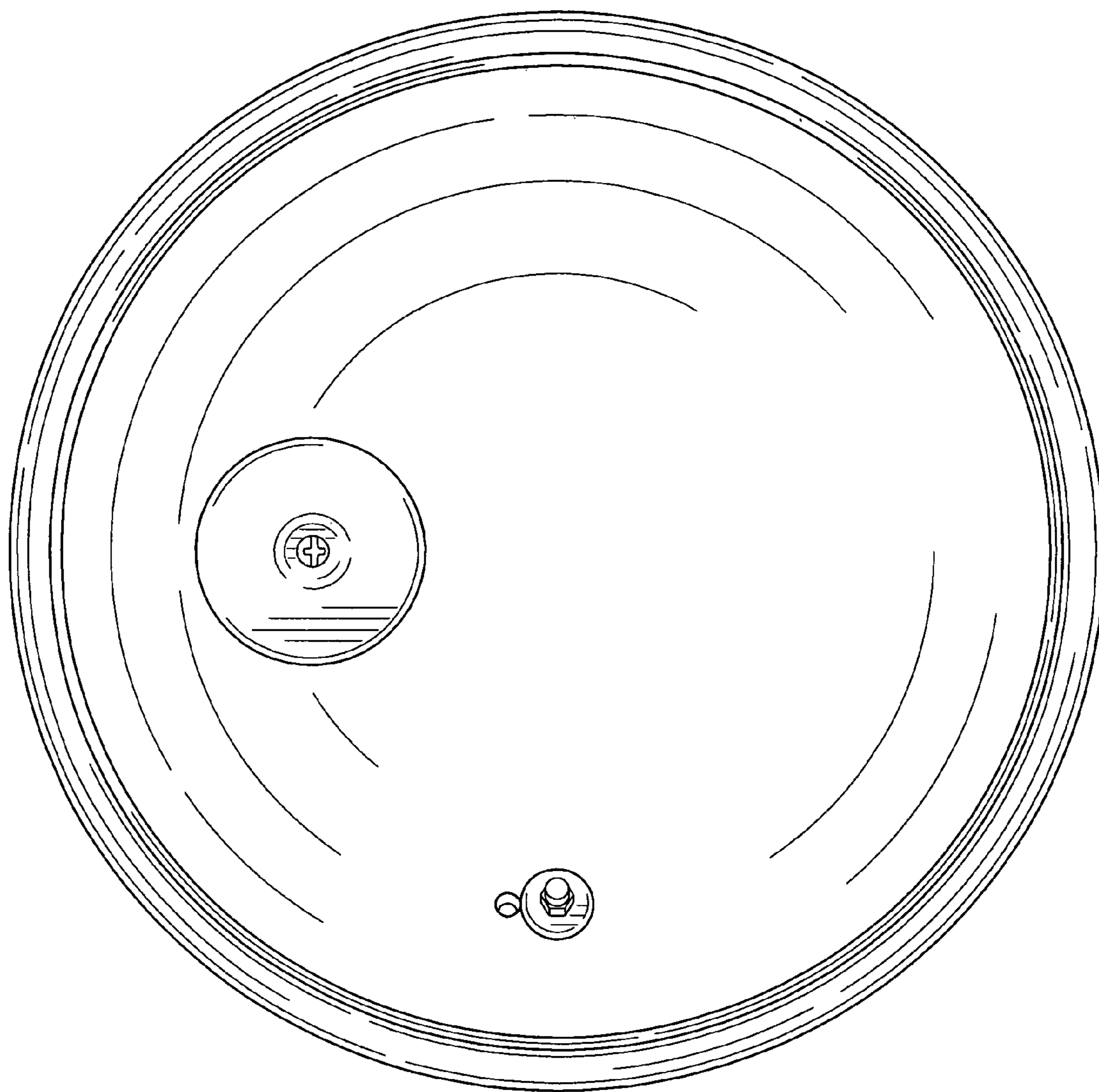


FIG. 7

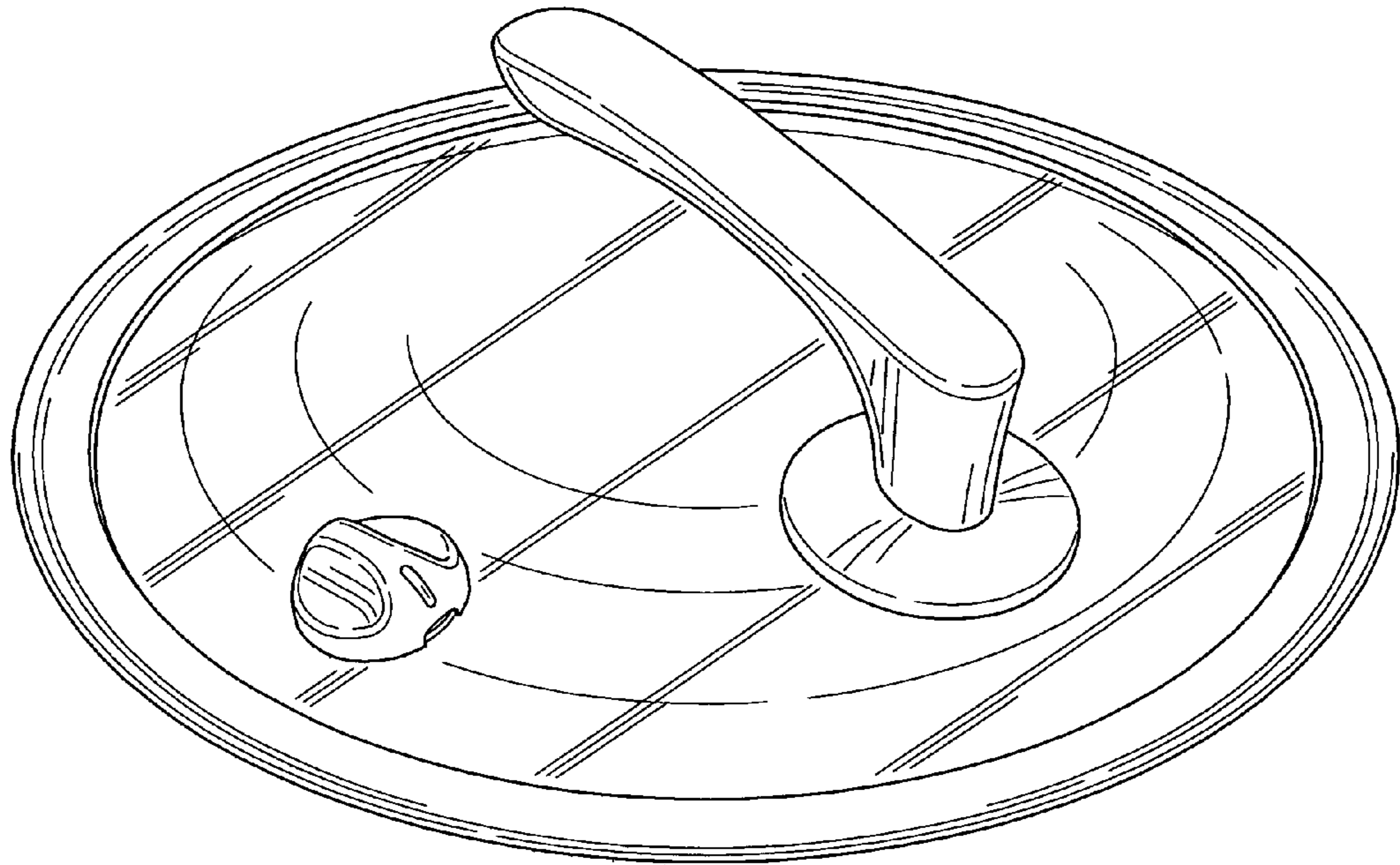


FIG. 8

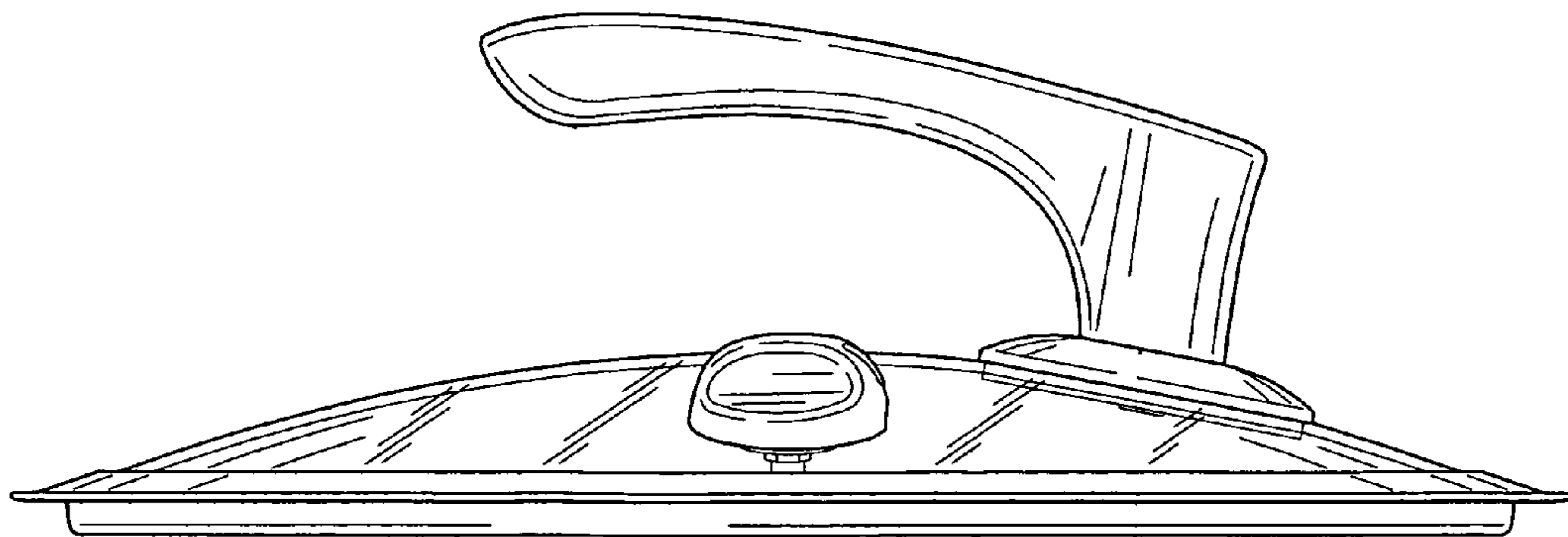


FIG. 9

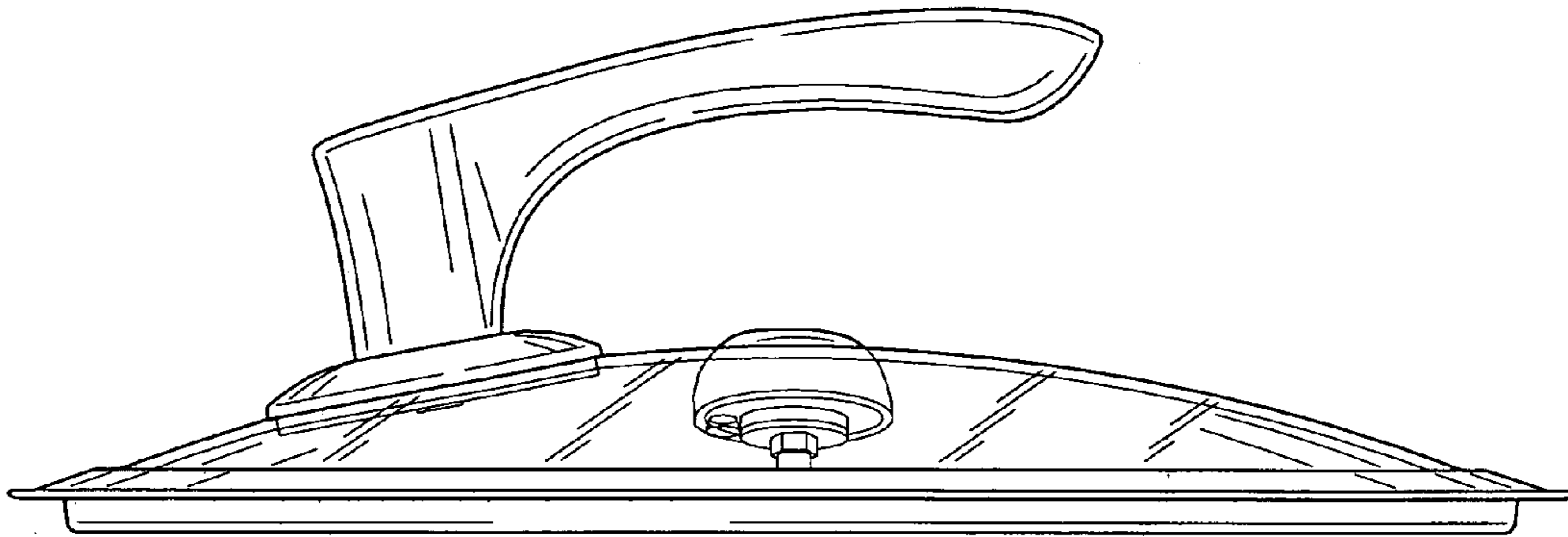


FIG. 10

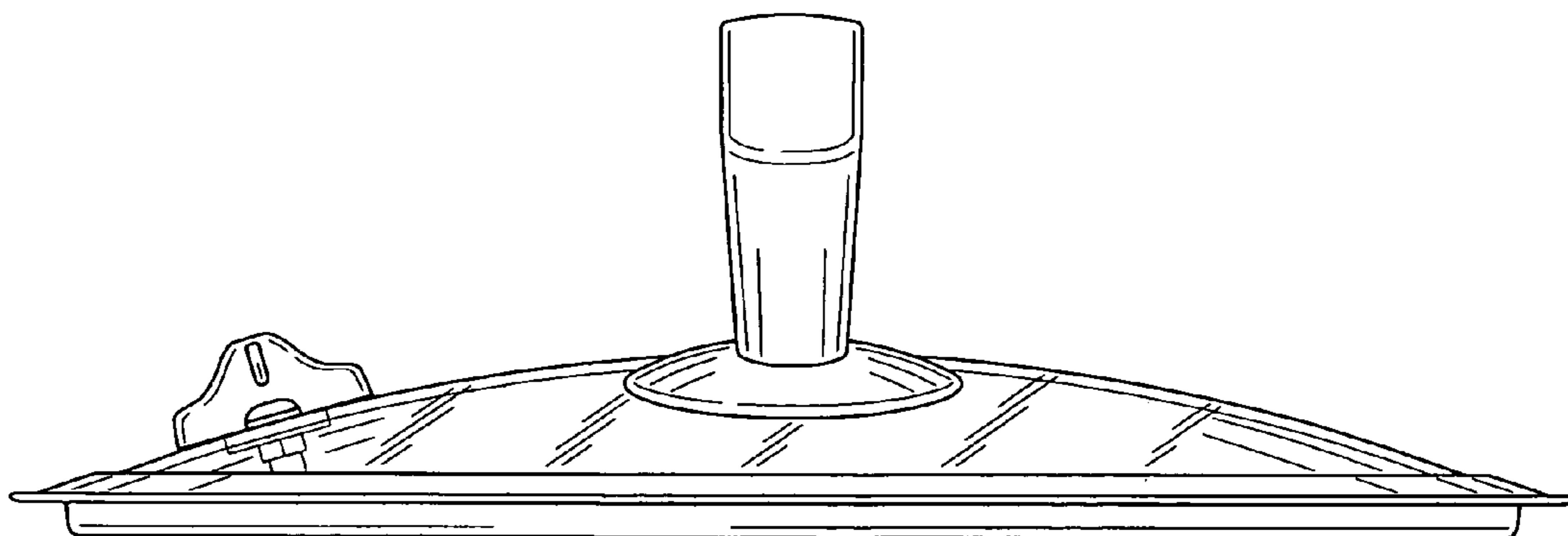


FIG. 11

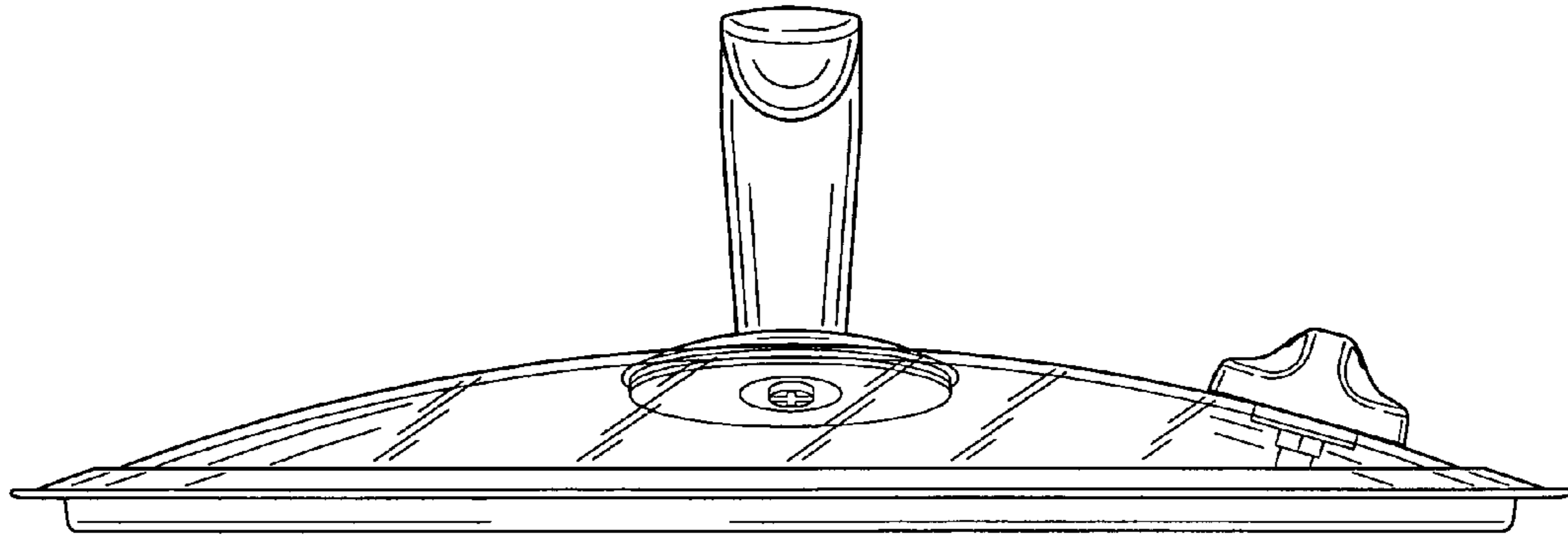


FIG. 12

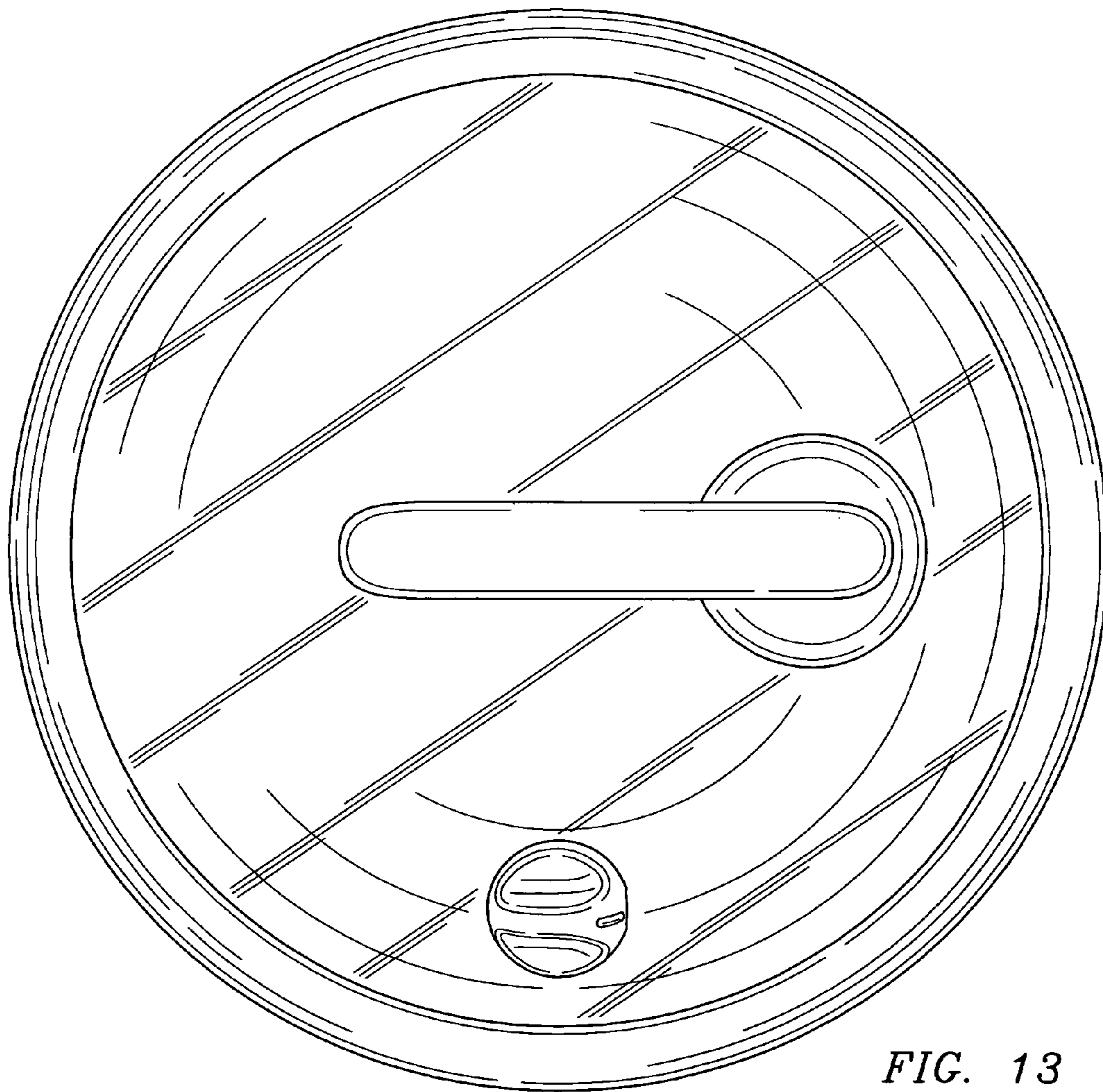


FIG. 13



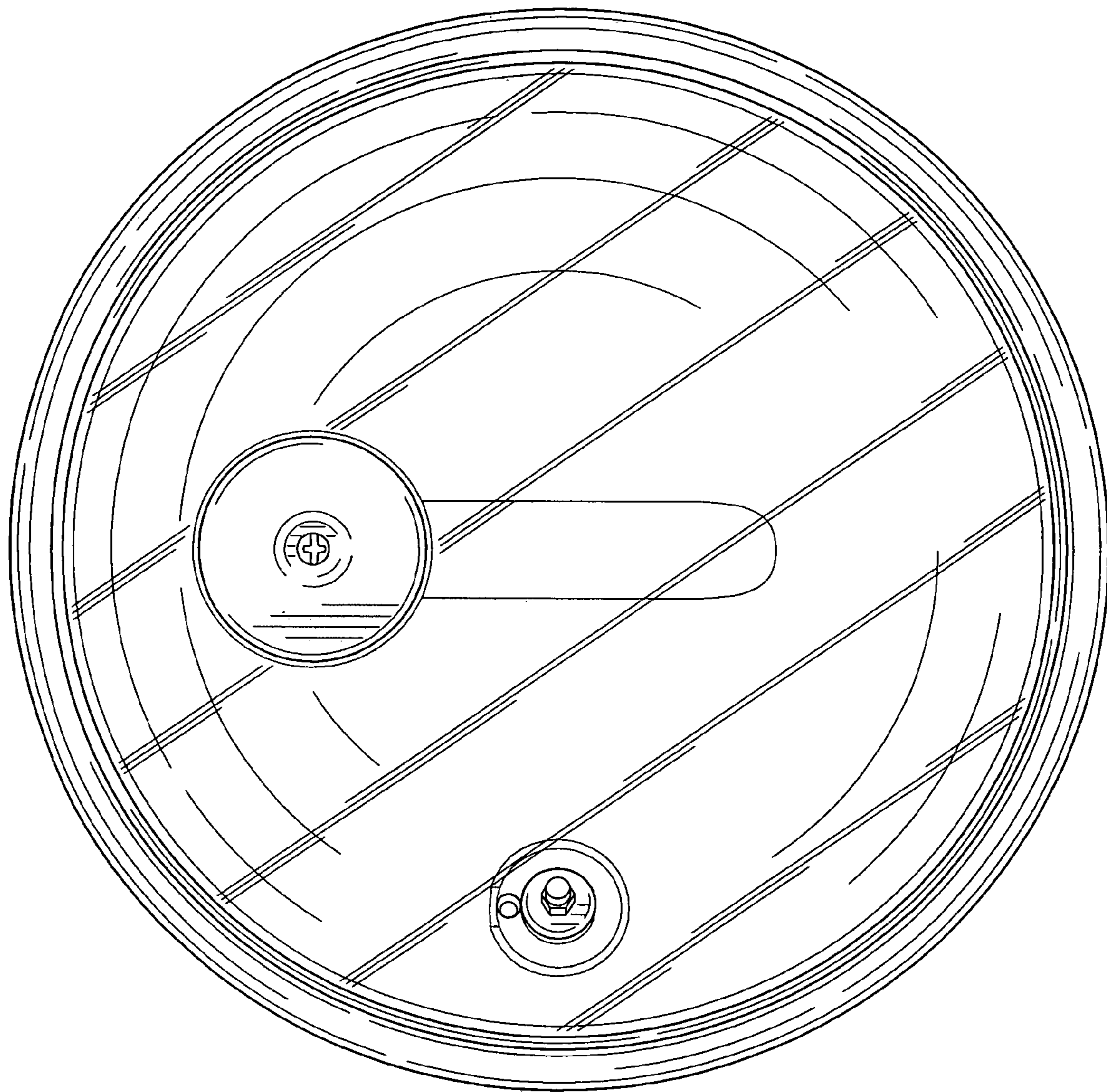


FIG. 14