



US00D674659S

(12) **United States Design Patent**
Lee et al.

(10) **Patent No.:** **US D674,659 S**
(45) **Date of Patent:** **** Jan. 22, 2013**

(54) **BLENDER BASE AND PANEL**

(56) **References Cited**

(75) Inventors: **Stuart Harvey Lee**, Forest Hills, NY
(US); **Jochen Schaepers**, New York, NY
(US)

(73) Assignee: **E. Mishan & Sons, Inc.**, New York, NY
(US)

(**) Term: **14 Years**

(21) Appl. No.: **29/430,800**

(22) Filed: **Aug. 30, 2012**

U.S. PATENT DOCUMENTS

D484,357	S	*	12/2003	Seum et al.	D7/378
D525,481	S	*	7/2006	Kassenaar	D7/378
D560,963	S	*	2/2008	Alzheimer et al.	D7/378
D605,462	S	*	12/2009	Picozza et al.	D7/386
D644,480	S	*	9/2011	Czach et al.	D7/384
8,066,426	B2	*	11/2011	Sandford et al.	366/205
D660,642	S	*	5/2012	Boozer et al.	D7/386
D660,643	S	*	5/2012	Boozer et al.	D7/386
D667,259	S	*	9/2012	Lee et al.	D7/386
D667,260	S	*	9/2012	Lee et al.	D7/386
D667,261	S	*	9/2012	Lee et al.	D7/386
D668,100	S	*	10/2012	Palermo et al.	D7/386
2010/0246319	A1	*	9/2010	Pryor et al.	366/205

* cited by examiner

Primary Examiner — Ricky Pham

(74) *Attorney, Agent, or Firm* — Notaro, Michalos & Zaccaria P.C.

Related U.S. Application Data

(62) Division of application No. 29/414,946, filed on Mar. 6, 2012, now Pat. No. Des. 667,260.

(51) **LOC (9) Cl.** **31-00**

(52) **U.S. Cl.** **D7/386; D7/376; D7/378; D7/412**

(58) **Field of Classification Search** D7/301–313,
D7/316–319, 356–357, 368, 372–386, 391–398,
D7/412–415, 503, 515, 665, 679, 691–693;
99/326, 348, 492, 508–512; 241/30–37.5,
241/101.01–101.2, 166–169.1, 172, 272,
241/285.1–285.3, 291, 292.1; 366/64–67,
366/98, 129, 142–144, 192–211, 241–254,
366/262, 279–292, 325.8, 325.92, 341–347;
416/75–77, 70 R, 163

See application file for complete search history.

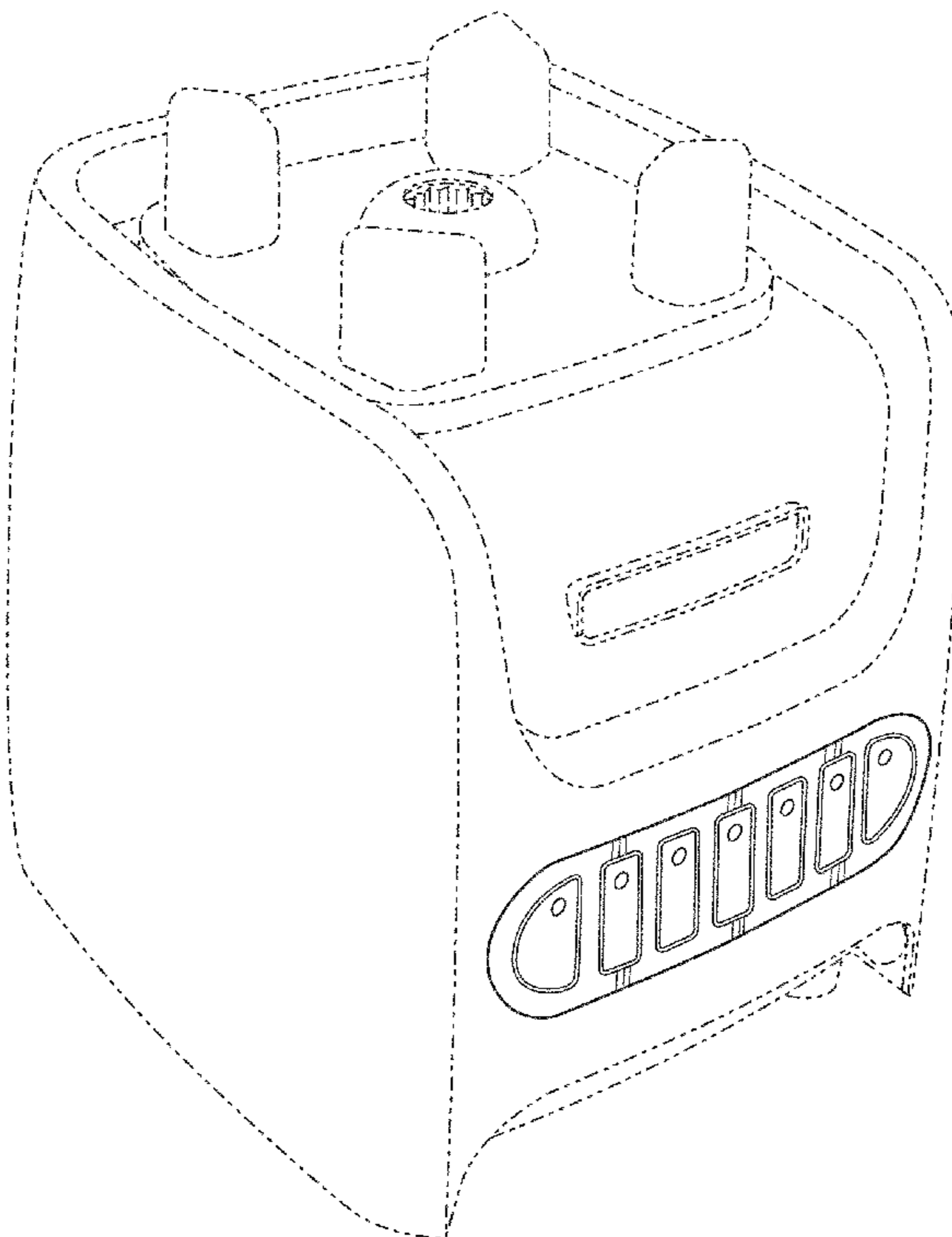
(57) **CLAIM**

The ornamental design for a blender base and panel, as shown and described.

DESCRIPTION

FIG. 1 is a front, top right perspective view of a blender base showing our design therefor; and,
FIG. 2 is a front elevational view thereof.
The broken lines shown in the drawings are for illustrative purposes only and form no part of the claimed design.

1 Claim, 2 Drawing Sheets



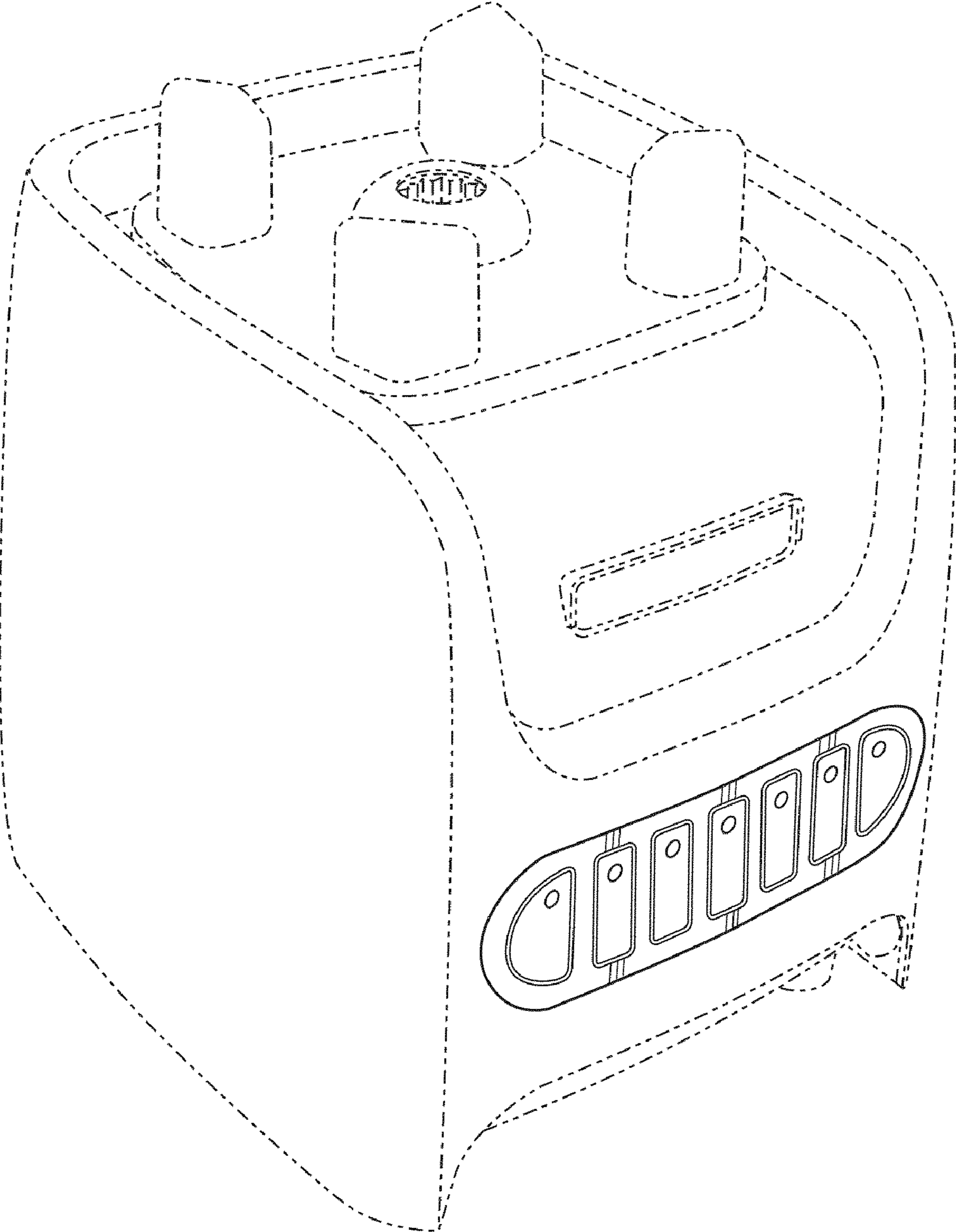


FIG. 1

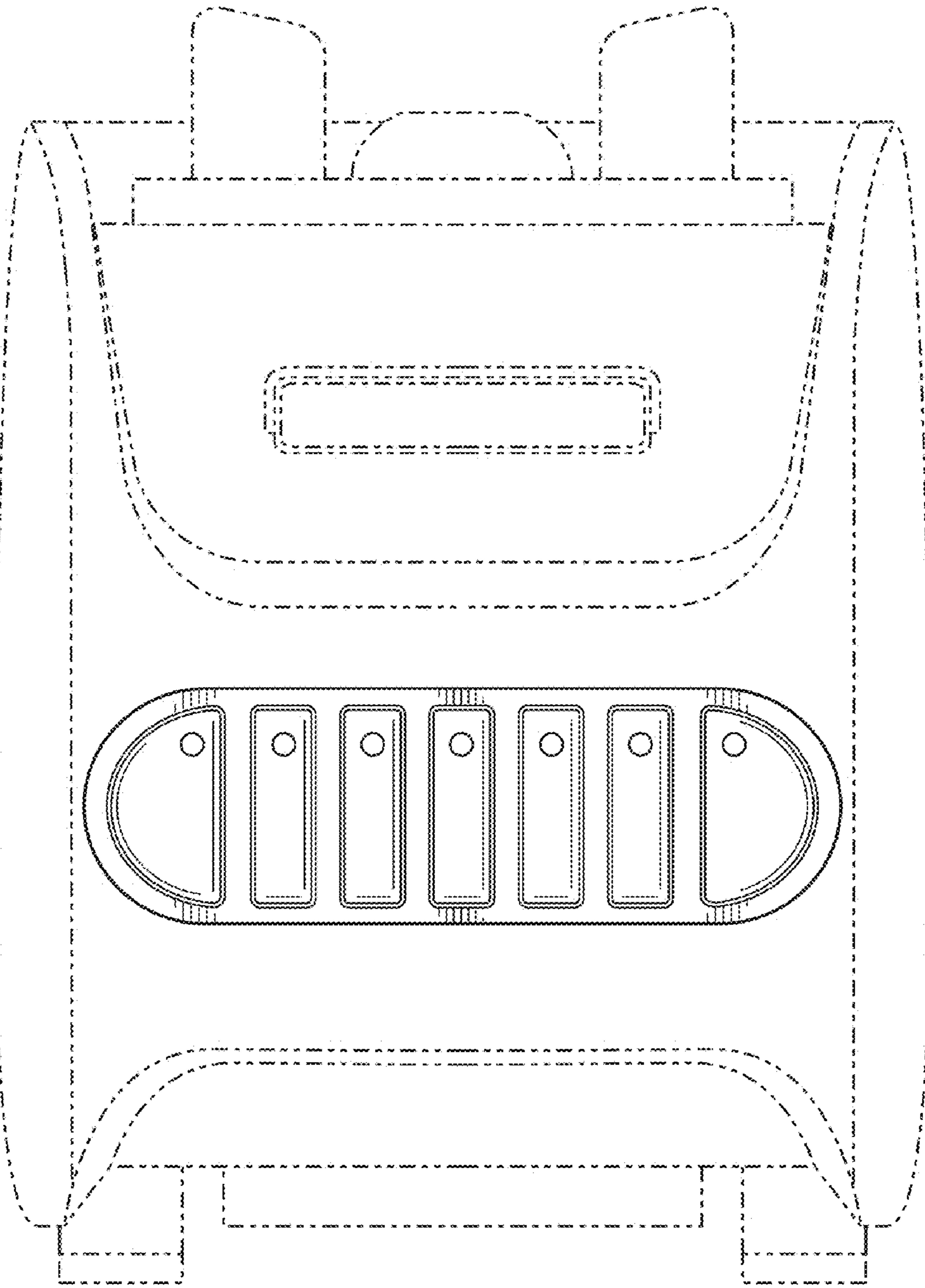


FIG. 2