



US00D674658S

(12) **United States Design Patent**
Fouquet

(10) **Patent No.:** **US D674,658 S**
(45) **Date of Patent:** **** Jan. 22, 2013**

(54) **ELECTRIC MIXER**

(75) Inventor: **Nicolas Fouquet**, Chassieu (FR)

(73) Assignee: **Santos**, Vaulx-en-Velin (FR)

(**) Term: **14 Years**

(21) Appl. No.: **29/416,533**

(22) Filed: **Mar. 23, 2012**

(30) **Foreign Application Priority Data**

Sep. 26, 2011 (EM) 001922683-0001

(51) **LOC (9) Cl.** **31-00**

(52) **U.S. Cl.** **D7/386; D7/376; D7/378; D7/384;**
D7/412

(58) **Field of Classification Search** D7/301-313,
D7/316-319, 356-357, 368, 372-386, 391-398,
D7/412-415, 515, 665, 679, 693; 99/326,
99/348, 492, 508-512; 241/30-37.5, 101.01-101.2,
241/166-169.1, 172, 285.1-285.3, 291, 292.1;
366/64-67, 98, 129, 142-144, 197-211,
366/241-254, 262, 279-292, 325.8, 325.92,
366/341-347; 416/75-77, 70 R, 163

See application file for complete search history.

(56) **References Cited**

U.S. PATENT DOCUMENTS

D440,813	S	*	4/2001	Gort-Barten	D7/378
D445,635	S	*	7/2001	Gort-Barten	D7/378
D512,265	S	*	12/2005	McCurrach	D7/378
D526,156	S	*	8/2006	Yeung	D7/378
D568,096	S	*	5/2008	Sun	D7/378
D593,792	S	*	6/2009	Li	D7/378
D615,347	S	*	5/2010	Garman et al.	D7/378
D618,049	S	*	6/2010	Wu	D7/378

* cited by examiner

Primary Examiner — Ricky Pham

(74) *Attorney, Agent, or Firm* — Stites & Harbison PLLC;
Douglas E. Jackson

(57) **CLAIM**

The ornamental design for a electric mixer, as shown and described.

DESCRIPTION

FIG. 1 is a front, top and right side perspective view of an electric mixer showing the new design.

FIG. 2 is a front view thereof.

FIG. 3 is rear view thereof.

FIG. 4 is a right side view thereof.

FIG. 5 is a left side view thereof.

FIG. 6 is a top view thereof; and,

FIG. 7 is a bottom view thereof.

The broken lines in FIGS. 1-5 show a container used with the invention that forms no part of the claimed design.

1 Claim, 7 Drawing Sheets

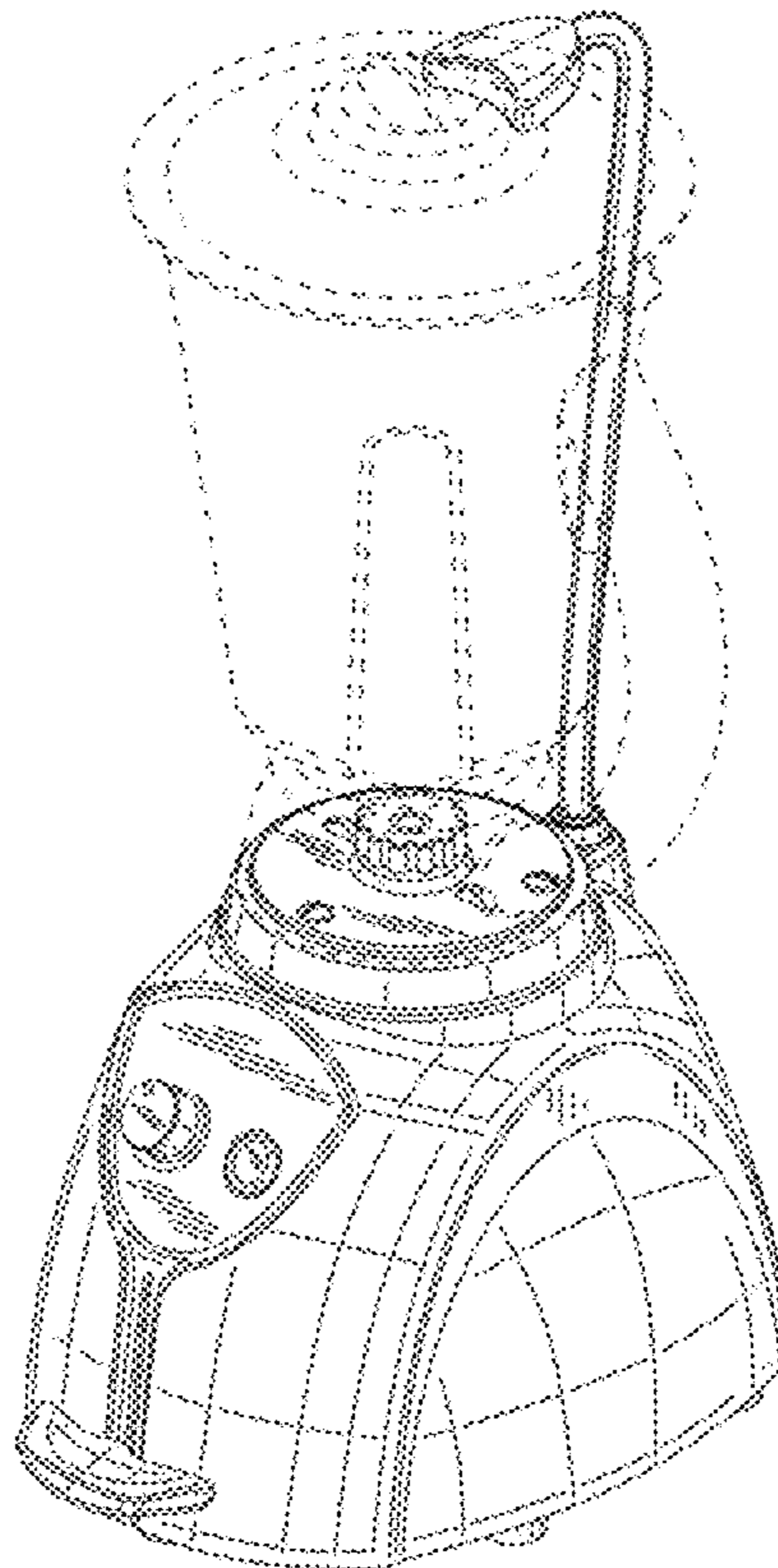
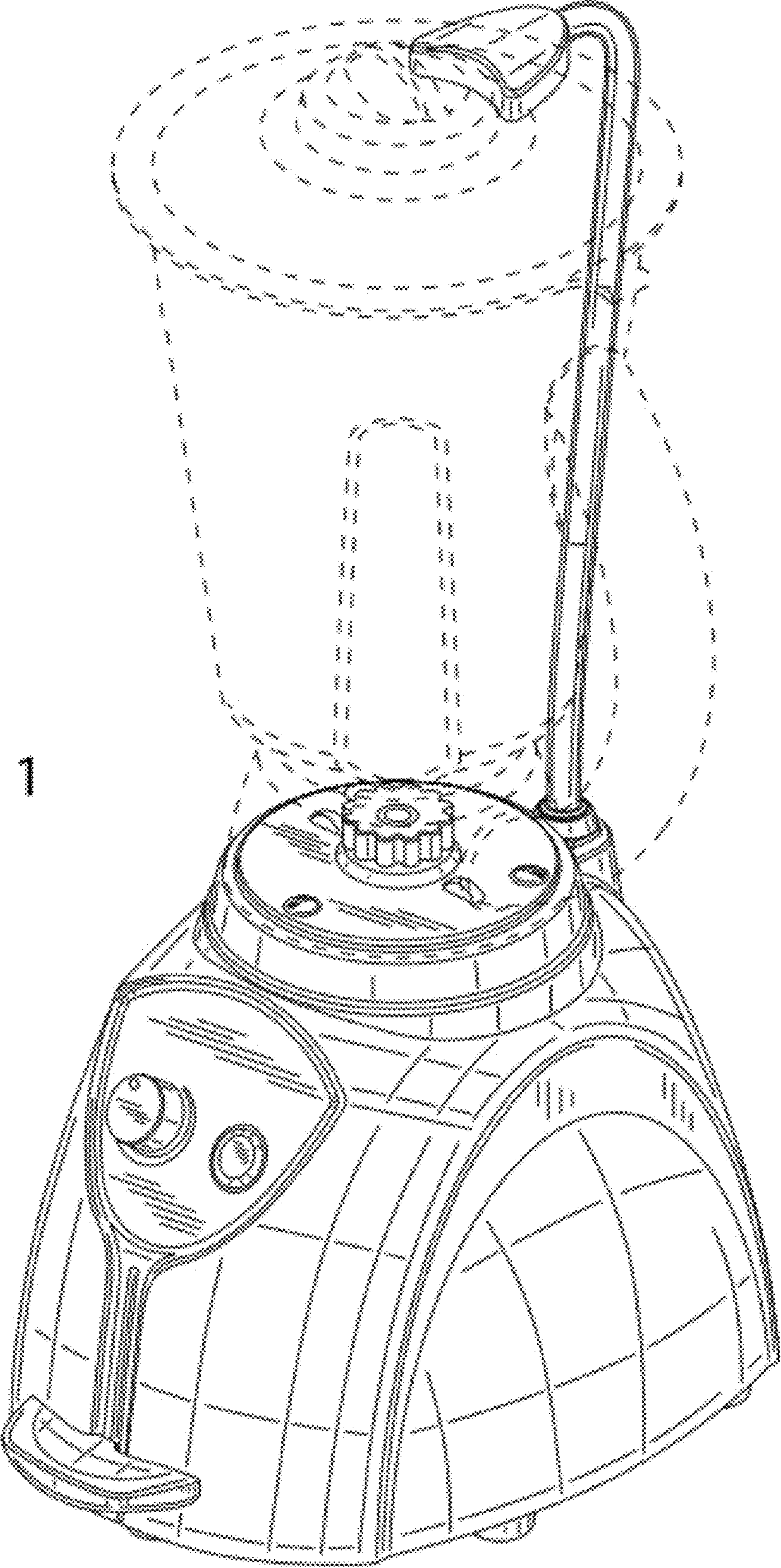


FIG. 1



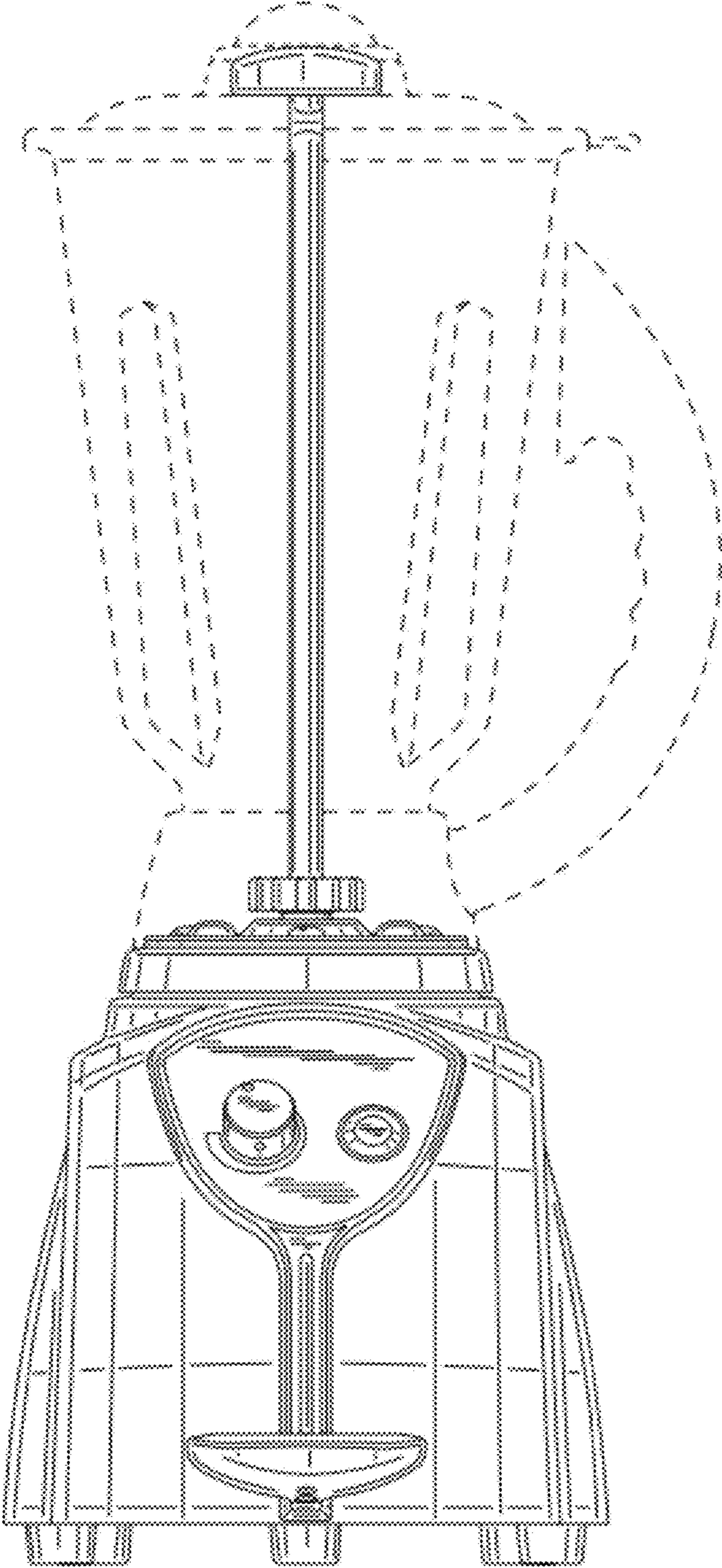


FIG. 2

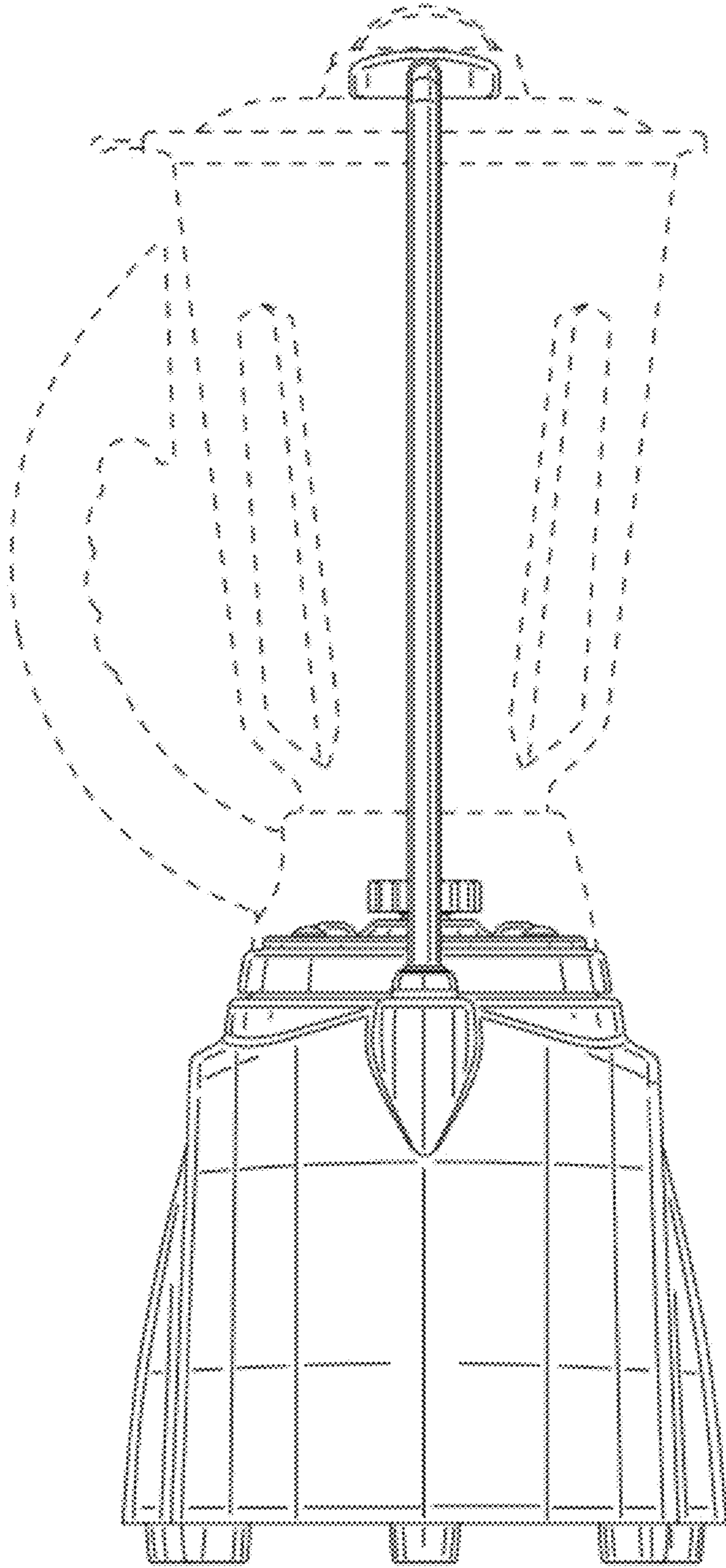


FIG. 3

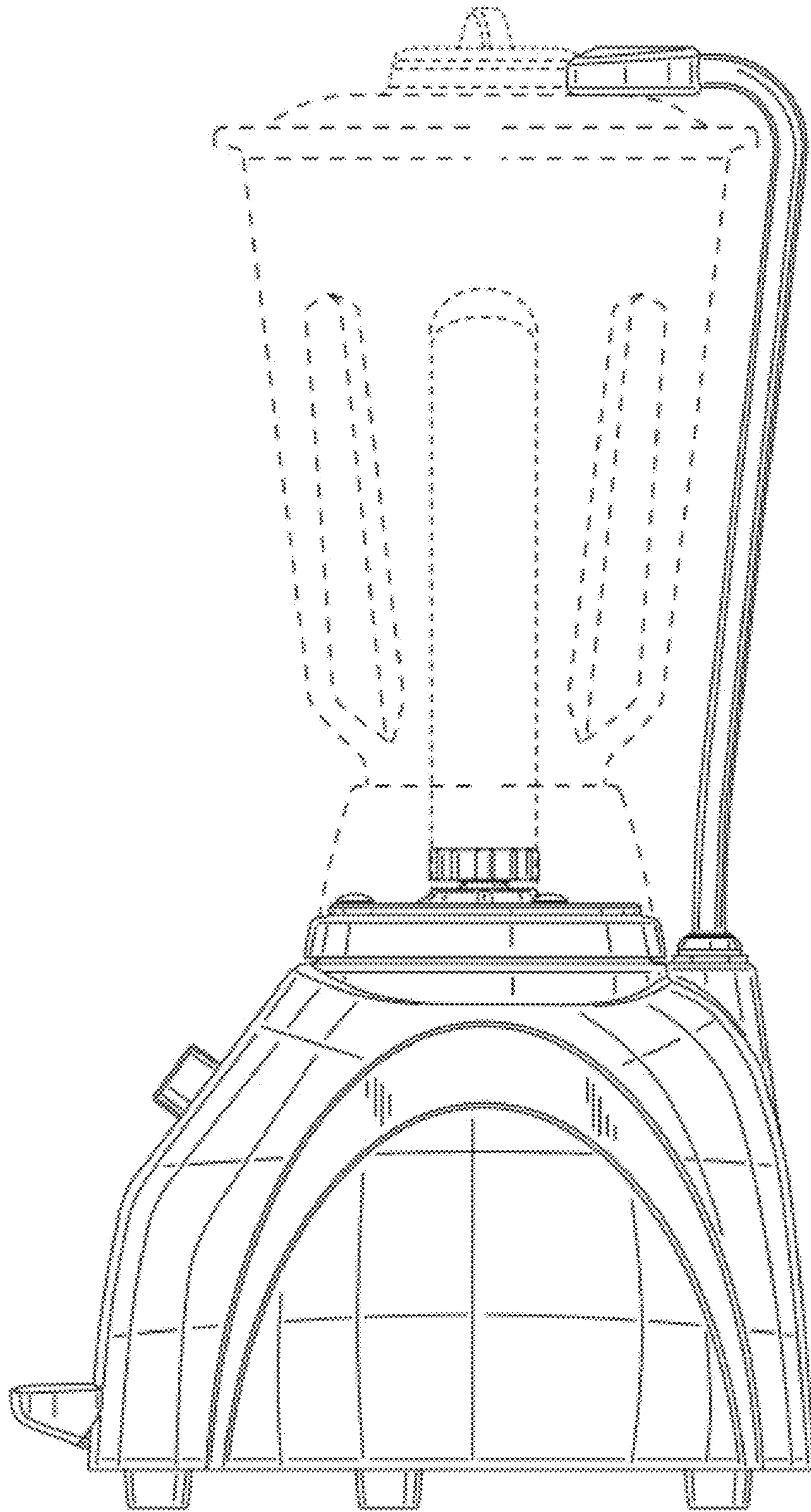


FIG. 4

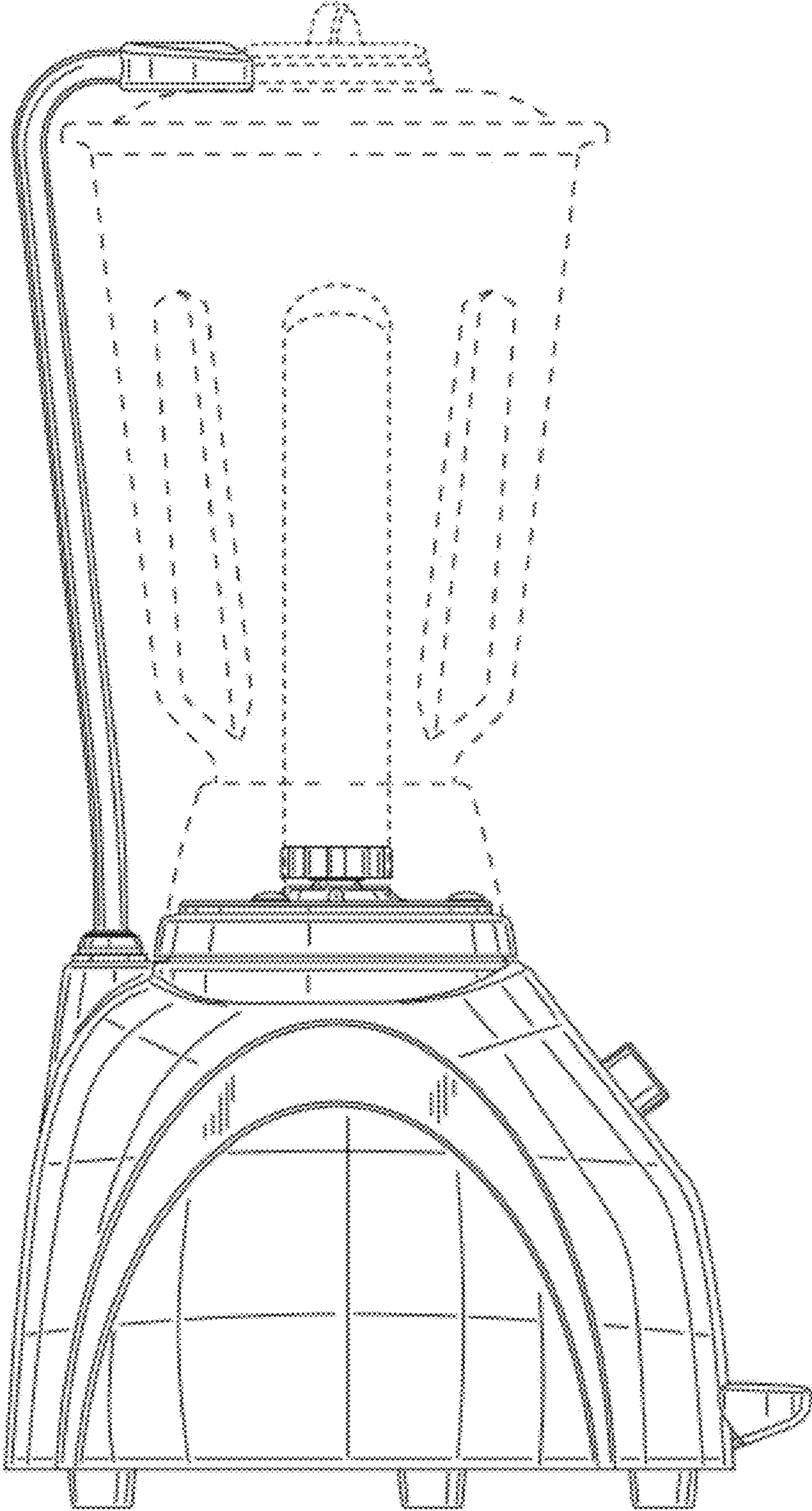


FIG. 5

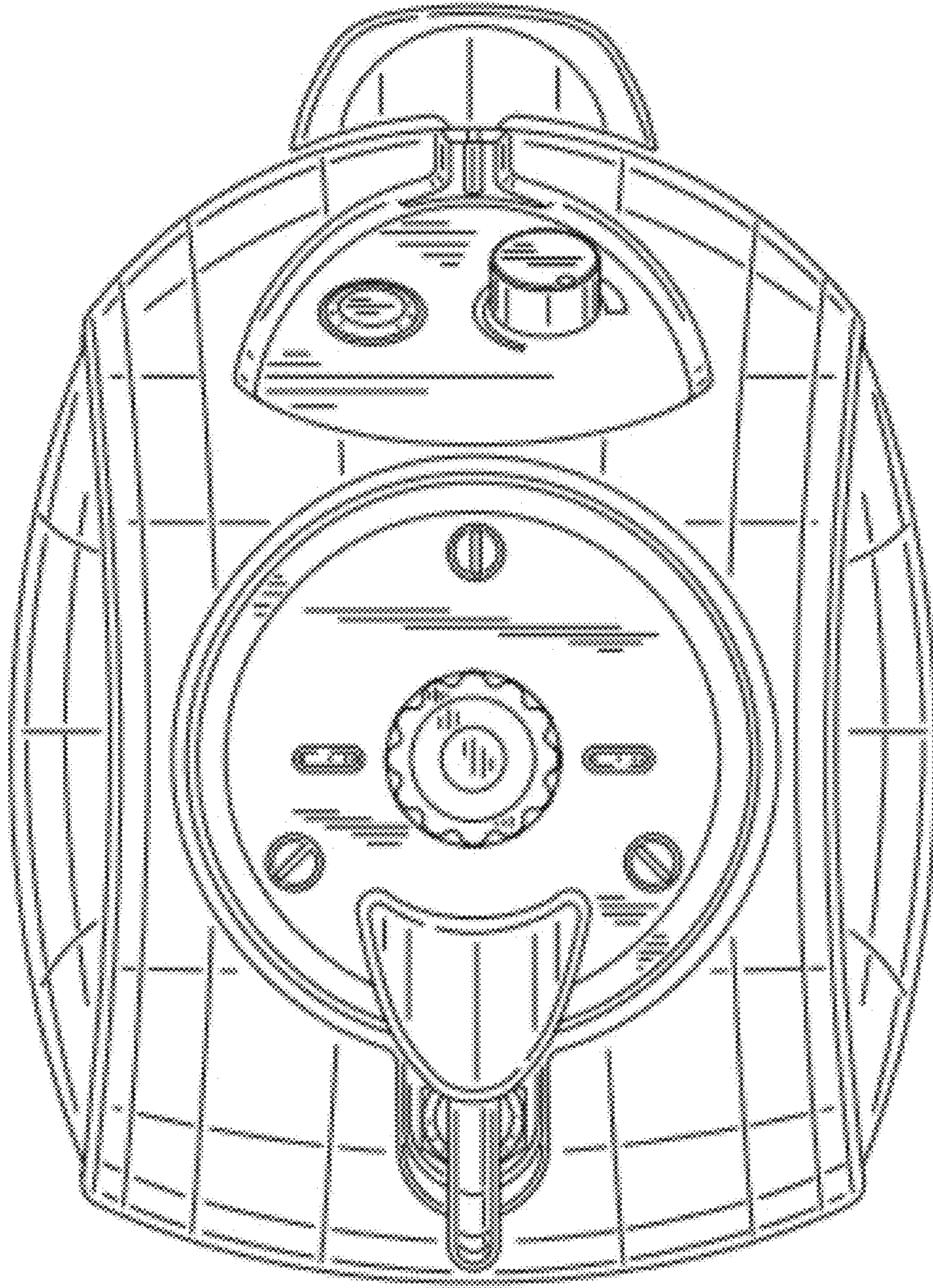


FIG. 6

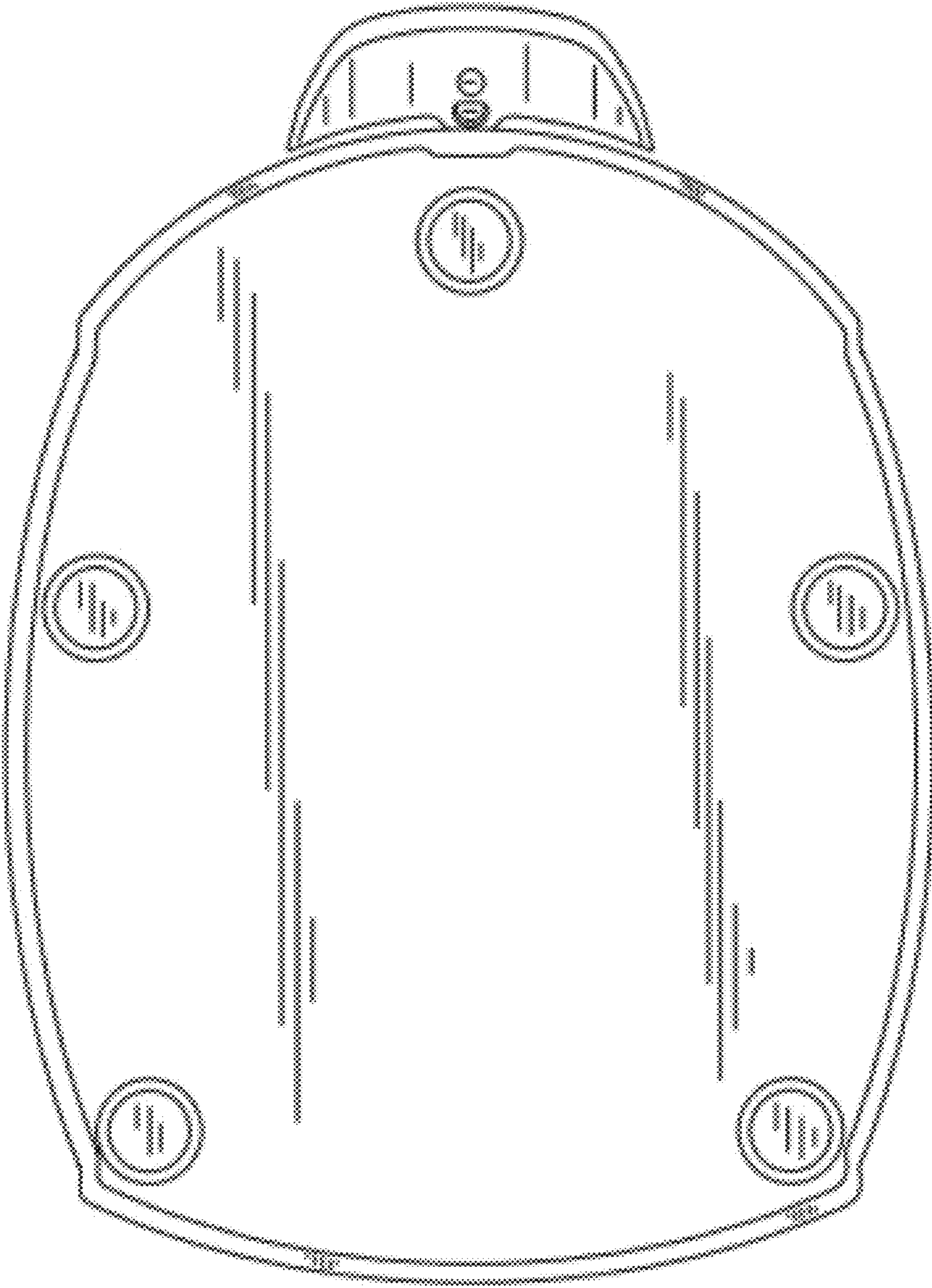


FIG. 7