



US00D674656S

(12) **United States Design Patent**
Berge et al.

(10) **Patent No.:** **US D674,656 S**
(45) **Date of Patent:** **** Jan. 22, 2013**

(54) **GRIDDLE**

(75) Inventors: **Michael R. Berge**, Eau Claire, WI (US);
Russell W. Hall, Eau Claire, WI (US)

(73) Assignee: **National Presto Industries, Inc.**, Eau
Claire, WI (US)

(**) Term: **14 Years**

(21) Appl. No.: **29/412,873**

(22) Filed: **Feb. 8, 2012**

(51) **LOC (9) Cl.** **07-02**

(52) **U.S. Cl.** **D7/363; D7/352; D7/362**

(58) **Field of Classification Search** **D7/323,**
D7/329-331, 337, 339, 346-347, 350.1-350.4,
D7/352-367, 391, 393, 395, 402, 409, 538,
D7/542; 99/324-325, 331-332, 337-349,
99/369, 372, 389, 400-418, 422, 425, 444-446,
99/483; 126/37 R, 261, 378.1; 206/501-505,
206/507-508; 219/386, 400, 405, 429-442,
219/450.1, 452.13, 620-624, 725, 730-735;
220/315, 573.1-573.5, 912; 426/438, 441
See application file for complete search history.

(56) **References Cited**

U.S. PATENT DOCUMENTS

D139,751 S * 12/1944 Springwell D7/363
(Continued)

OTHER PUBLICATIONS

Presto® 20-inch Cool Touch Electric Griddle, webpage, <http://www.gopresto.com/products/products.php?stock=07030>, Nov. 7, 2011, 2 pages.

(Continued)

Primary Examiner — Ricky Pham

(74) *Attorney, Agent, or Firm* — Patterson Thuent
Christensen Pedersen, P.A.

(57) **CLAIM**

We claim the ornamental design for griddle, as shown and described.

DESCRIPTION

FIG. 1 is a top view of a griddle according to an embodiment of the invention.

FIG. 2 is a front view of the griddle depicted in FIG. 1.

FIG. 3 is a bottom view of the griddle depicted in FIG. 1.

FIG. 4 is a right side view of the griddle depicted in FIG. 1.

FIG. 5 is a rear view of the griddle depicted in FIG. 1.

FIG. 6 is a left side view of the griddle depicted in FIG. 1.

FIG. 7 is a top perspective view of the griddle depicted in FIG. 1.

FIG. 8 is a top perspective view of the griddle depicted in FIG. 1 with a tray rotated to a vertical position.

FIG. 9 is a top perspective view of the griddle depicted in FIG. 1 with a tray rotated to an open horizontal position.

FIG. 10 is a top view of a griddle according to another embodiment of the invention.

FIG. 11 is a front view of the griddle depicted in FIG. 10.

FIG. 12 is a bottom view of the griddle depicted in FIG. 10.

FIG. 13 is a right side view of the griddle depicted in FIG. 10.

FIG. 14 is a rear view of the griddle depicted in FIG. 10.

FIG. 15 is a left side view of the griddle depicted in FIG. 10.

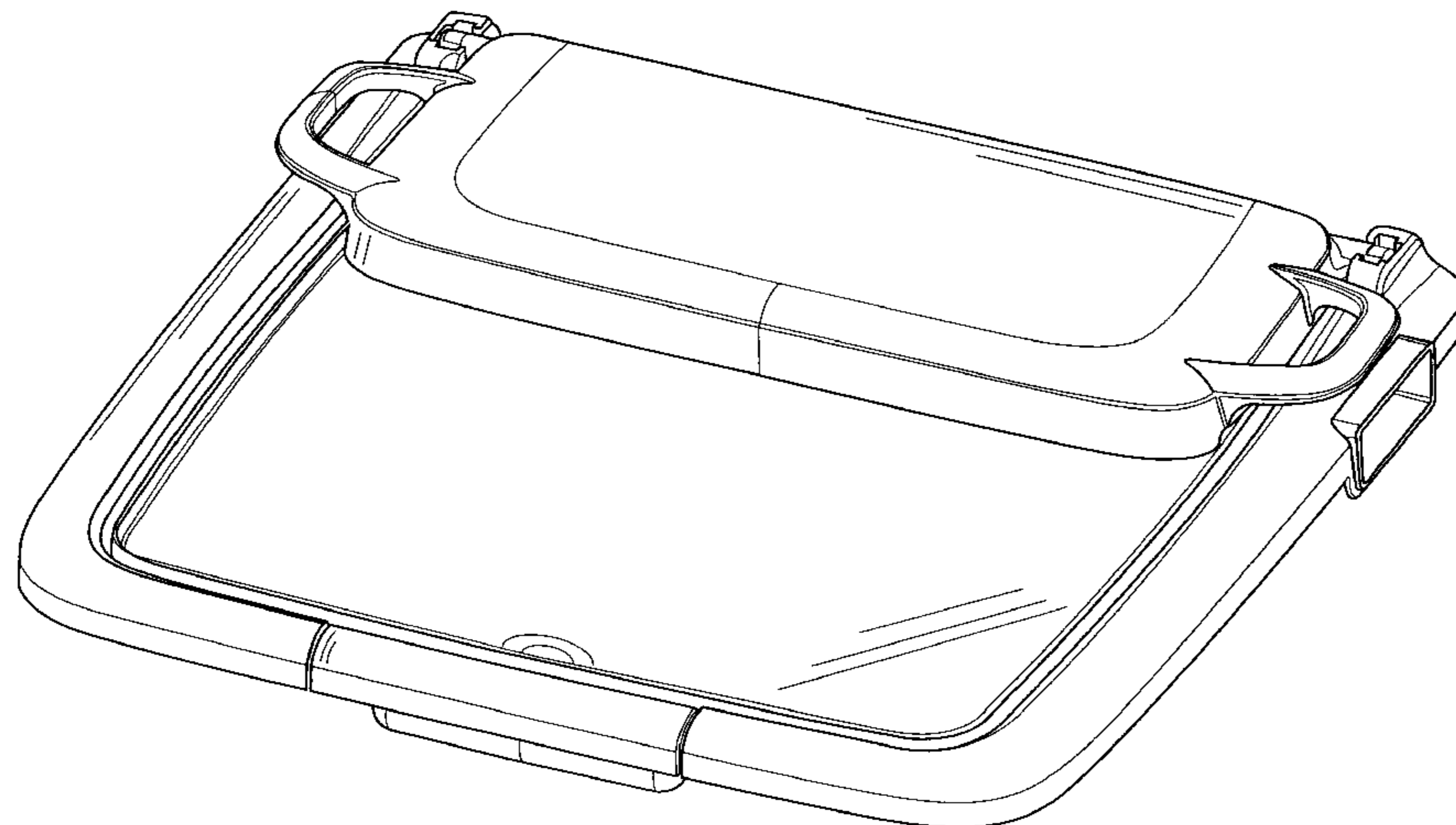
FIG. 16 is a top perspective view of the griddle depicted in FIG. 10.

FIG. 17 is a top perspective view of the griddle depicted in FIG. 10 with a tray rotated to a vertical position; and,

FIG. 18 is a top perspective view of the griddle depicted in FIG. 10 with a tray rotated to an open horizontal position.

Items shown in broken lines are for illustrative purposes only and form no part of the claimed invention.

1 Claim, 18 Drawing Sheets



U.S. PATENT DOCUMENTS

D281,215	S *	11/1985	Lastuck	D7/363
D285,523	S *	9/1986	Ayukawa et al.	D7/367
D296,509	S	7/1988	Fuke	
D366,390	S	1/1996	Vitantonio	
D375,868	S *	11/1996	Larson	D7/361
D412,808	S *	8/1999	Hinton et al.	D7/362
6,016,741	A	1/2000	Tsai et al.	
6,064,042	A *	5/2000	Glucksman et al.	219/452.13
D431,152	S	9/2000	Lee	
D436,796	S	1/2001	Kalina et al.	
6,186,055	B1	2/2001	DeMars et al.	
D505,044	S	5/2005	Hei	
D533,016	S *	12/2006	Genslak et al.	D7/363
D564,826	S *	3/2008	Chin	D7/352
D575,098	S	8/2008	Seymour	
7,523,697	B2 *	4/2009	Hedrington	99/348
D618,047	S *	6/2010	Seymour	D7/367
D644,867	S *	9/2011	Janvier	D7/363
D658,429	S *	5/2012	Berge	D7/363
2006/0163242	A1 *	7/2006	Ciancimino et al.	219/450.1

OTHER PUBLICATIONS

Presto® 22-inch Electric Griddle, webpage, <http://www.gopresto.com/products/products.php?stock=07039>, Nov. 7, 2011, 2 pages.
 Presto® 22-inch Electric Griddle with Removable Handles,

webpage, <http://www.gopresto.com/products/products.php?stock=07061>, Nov. 7, 2011, 2 pages.
 Presto® Cool Touch Electric Griddle, webpage, <http://www.gopresto.com/products/products.php?stock=07047>, Nov. 7, 2011, 2 pages.
 Presto® Cool Touch Electric Foldaway™ Griddle, webpage, <http://www.gopresto.com/products/products.php?stock=07050>, Nov. 7, 2011, 2 pages.
 Presto® Cool Touch Electric Tilt'nDrain™ Griddle, webpage, <http://www.gopresto.com/products/products.php?stock=07045>, Nov. 7, 2011, 2 pages.
 Presto® Liddle Griddle® mini griddle, webpage, <http://www.gopresto.com/products/products.php?stock=07211>, Nov. 7, 2011, 2 pages.
 Presto® Tilt'nDrain™ BigGriddle cool touch electric griddle, webpage, <http://www.gopresto.com/products/products.php?stock=07046>, Nov. 7, 2011, 3 pages.
 APW Wyatt 23780 7 Qt. Notched/Hinged Stainless Steel Inset Cover, webpage, <http://www.webstaurantstore.com/apw-wyott-23780-7-qt-notched-hinged-stainless-steel-insert-cover/13523780.html>, printed Feb. 2, 2012, 2 pages.
 Oster 12-inch Skillet with Hinged Lid, webpage, <http://www.oster.com/ProductDetails.aspx?pid=1625>, printed Feb. 7, 2012, 1 page.

* cited by examiner

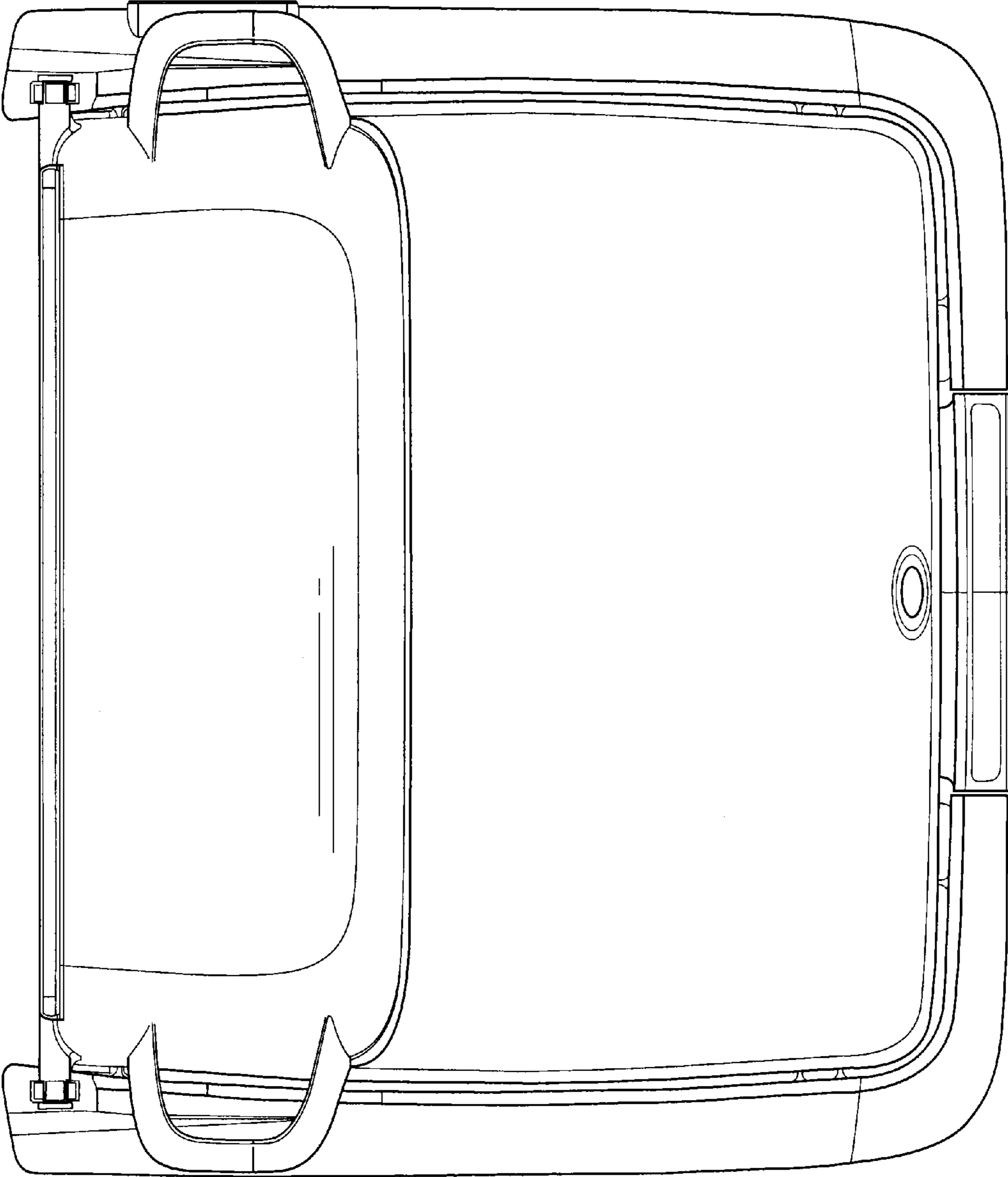


Fig. 1

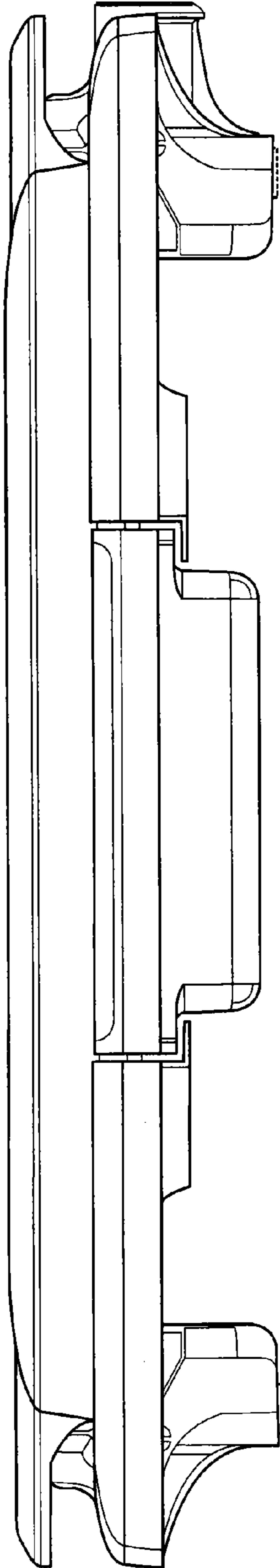


Fig. 2

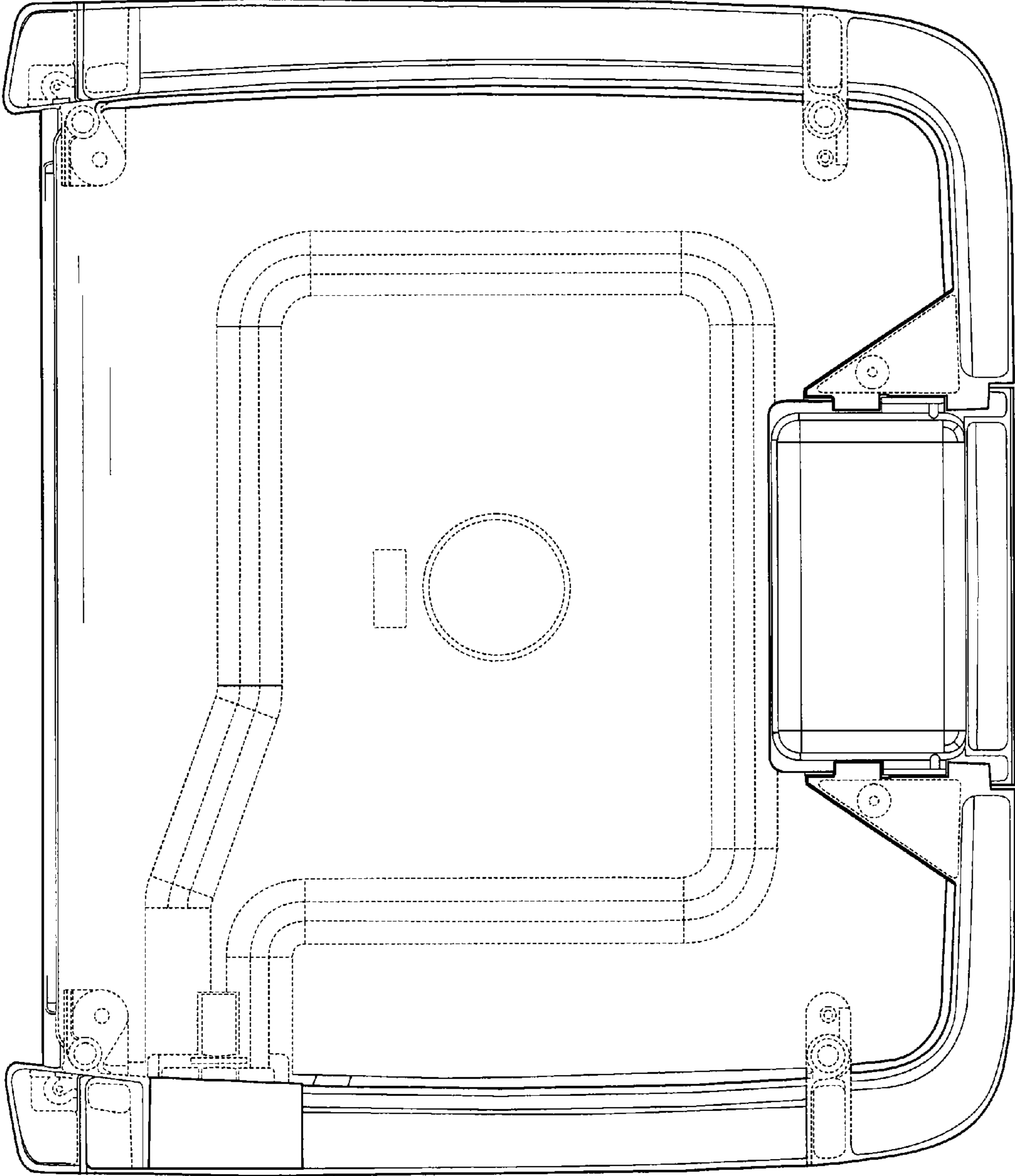


Fig. 3

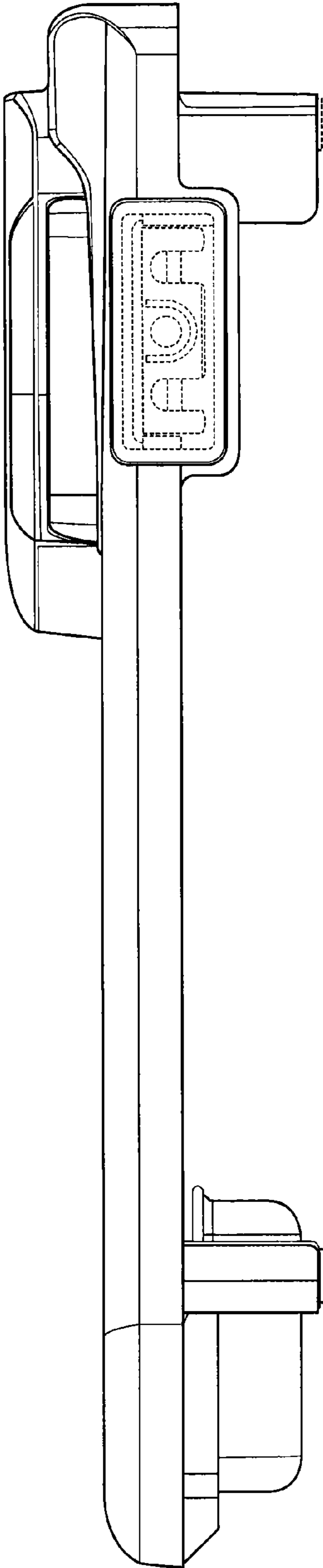


Fig. 4

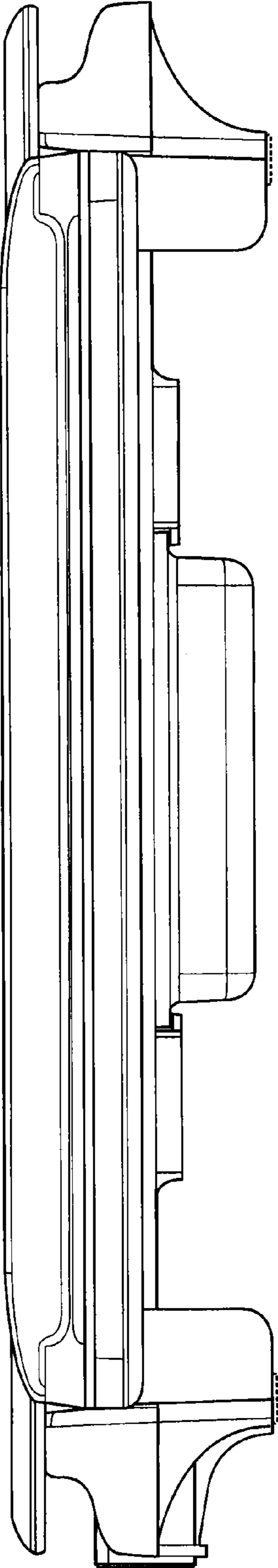


Fig. 5

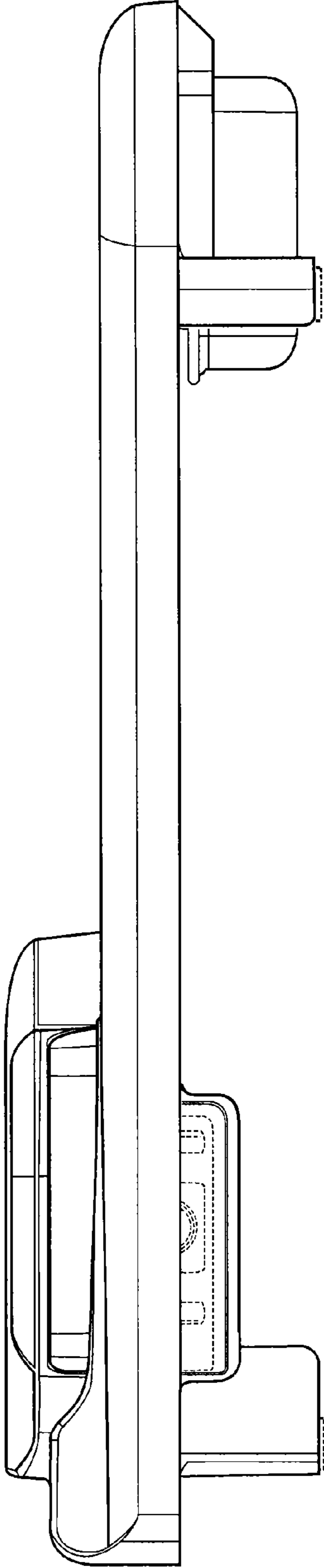


Fig. 6

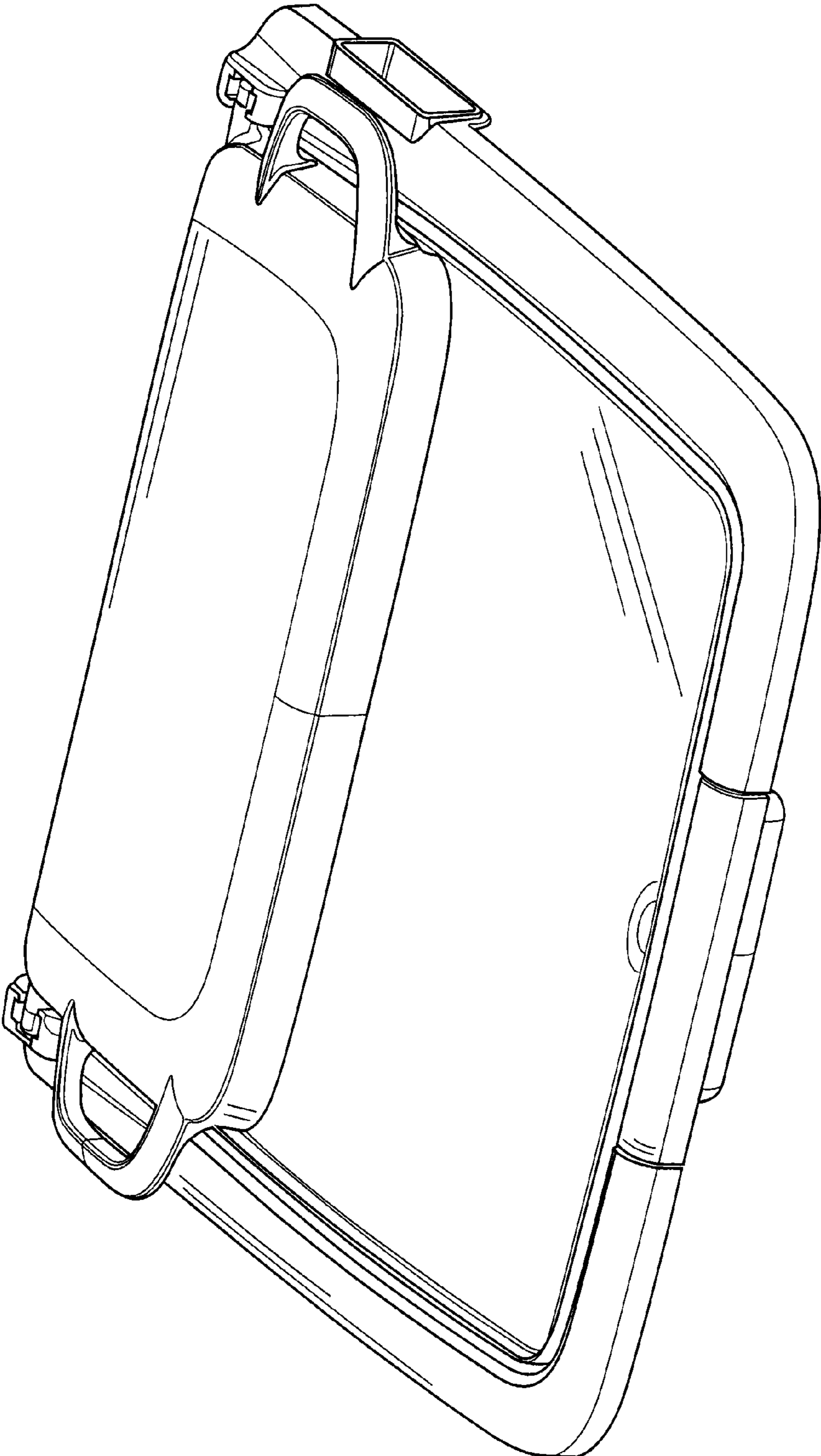


Fig. 7

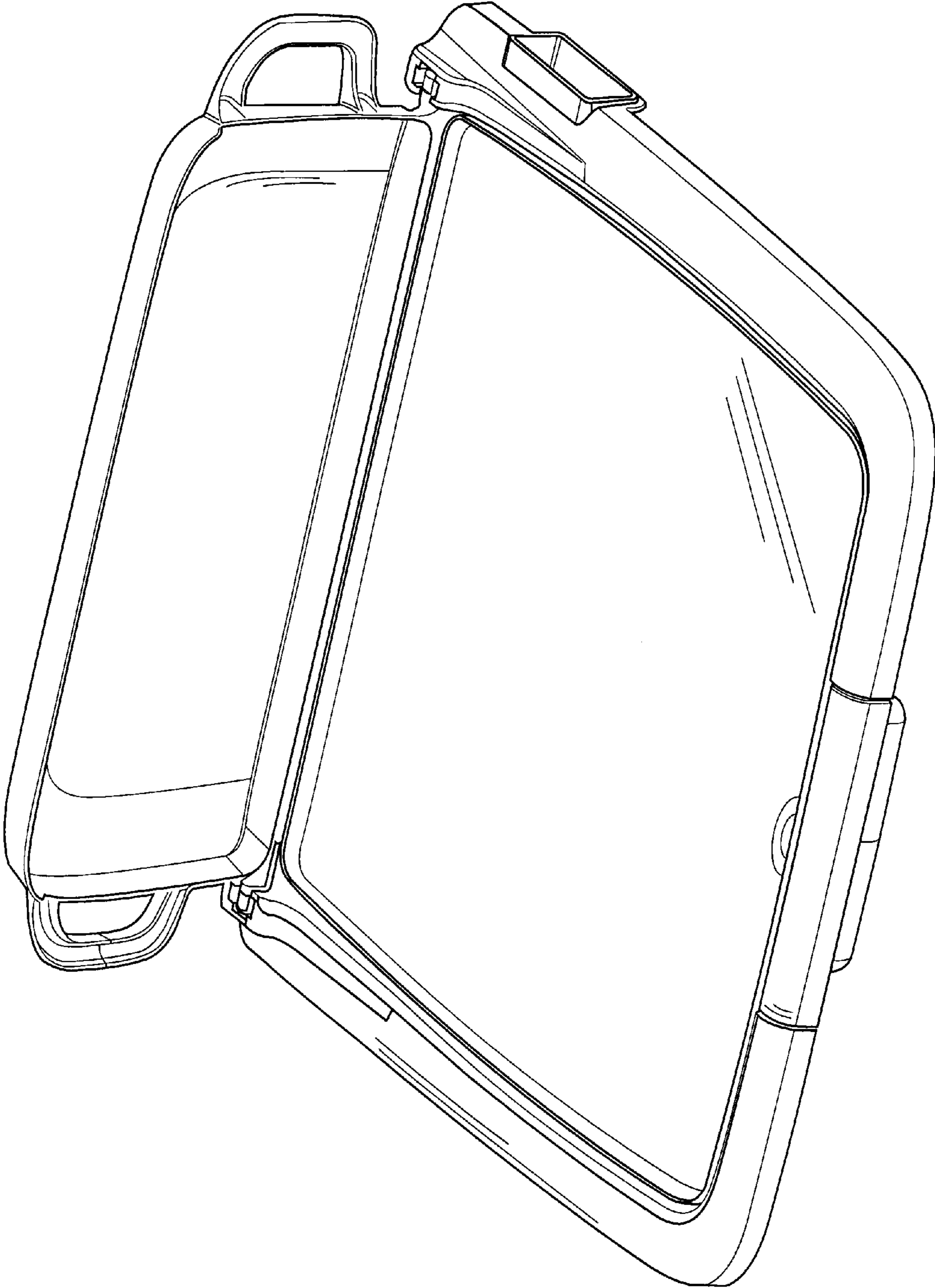


Fig. 8

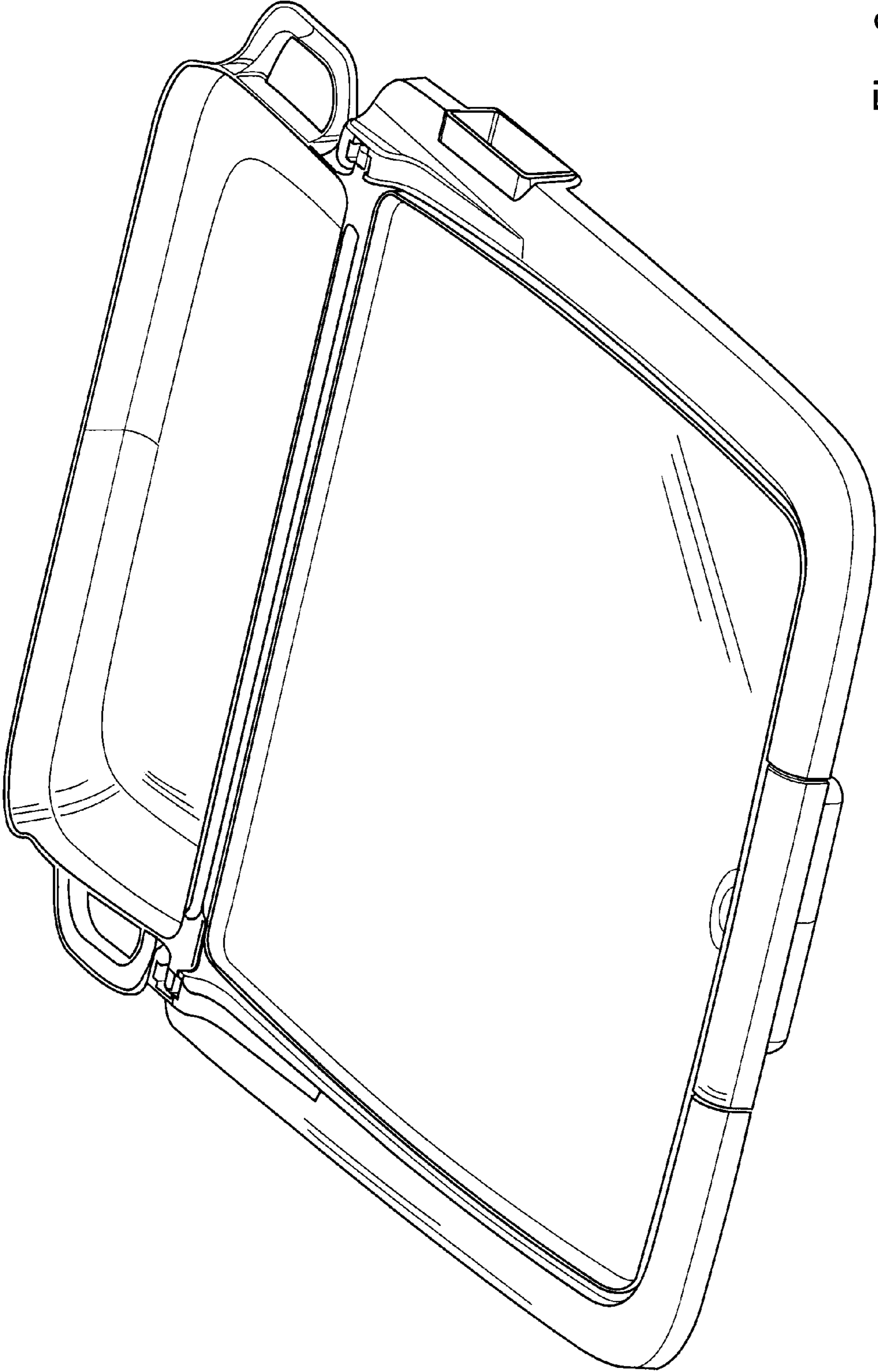


Fig. 9

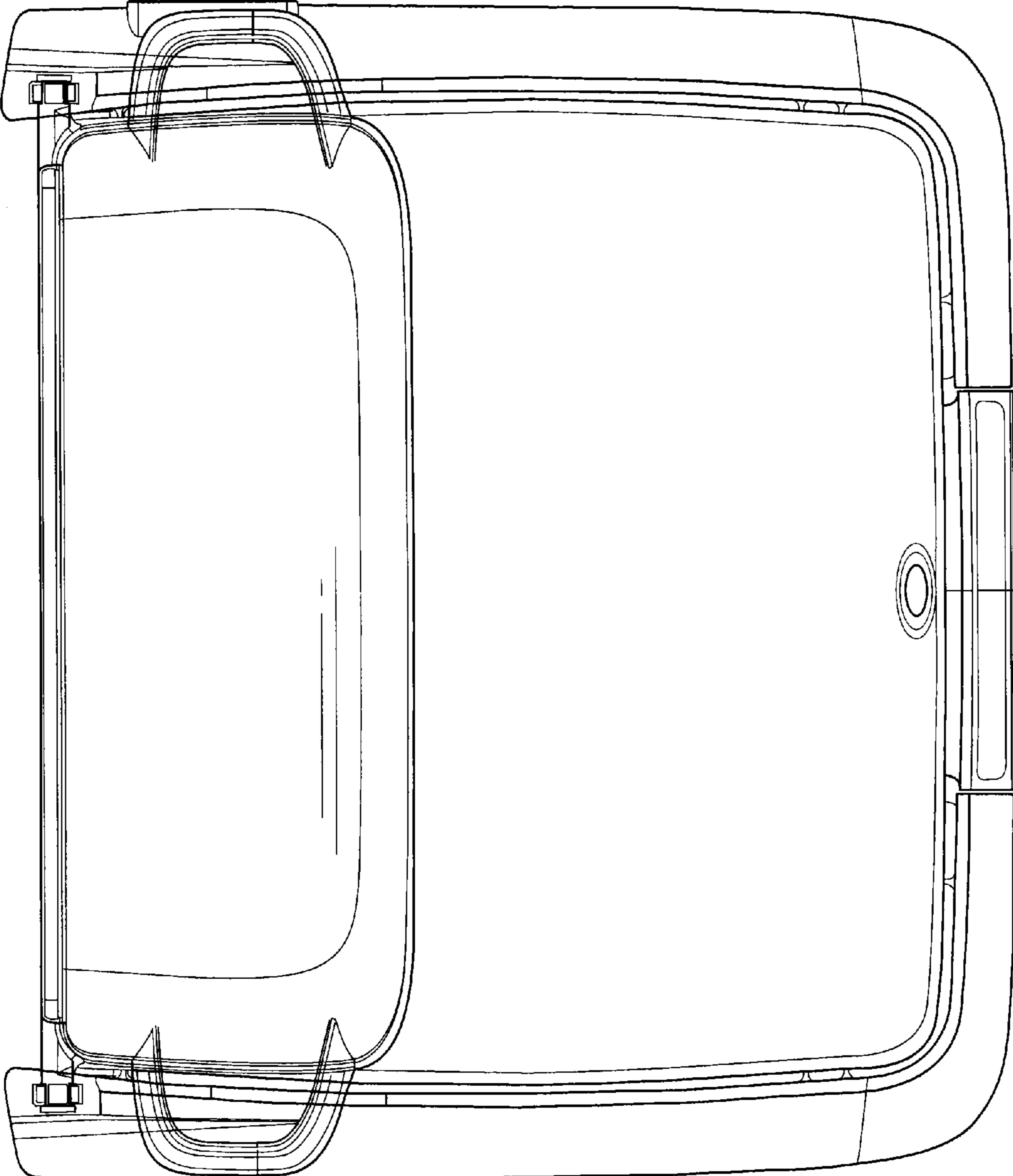


Fig. 10

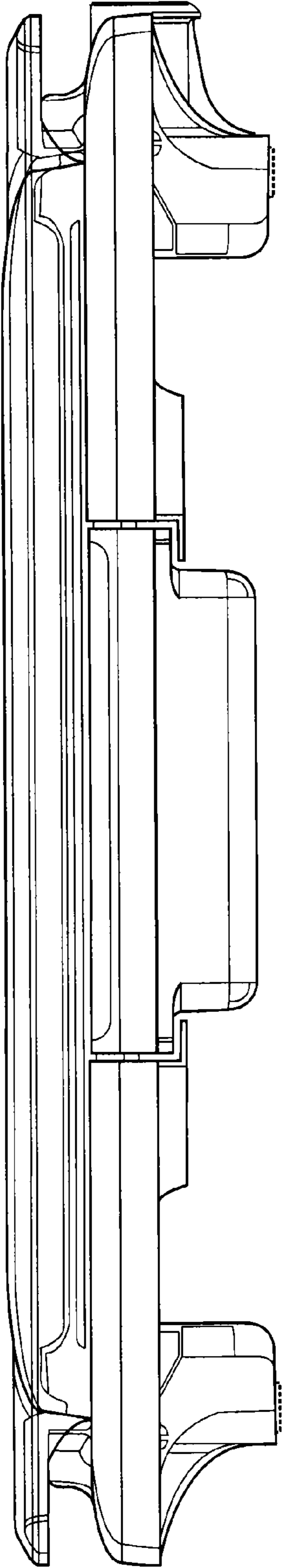


Fig. 11

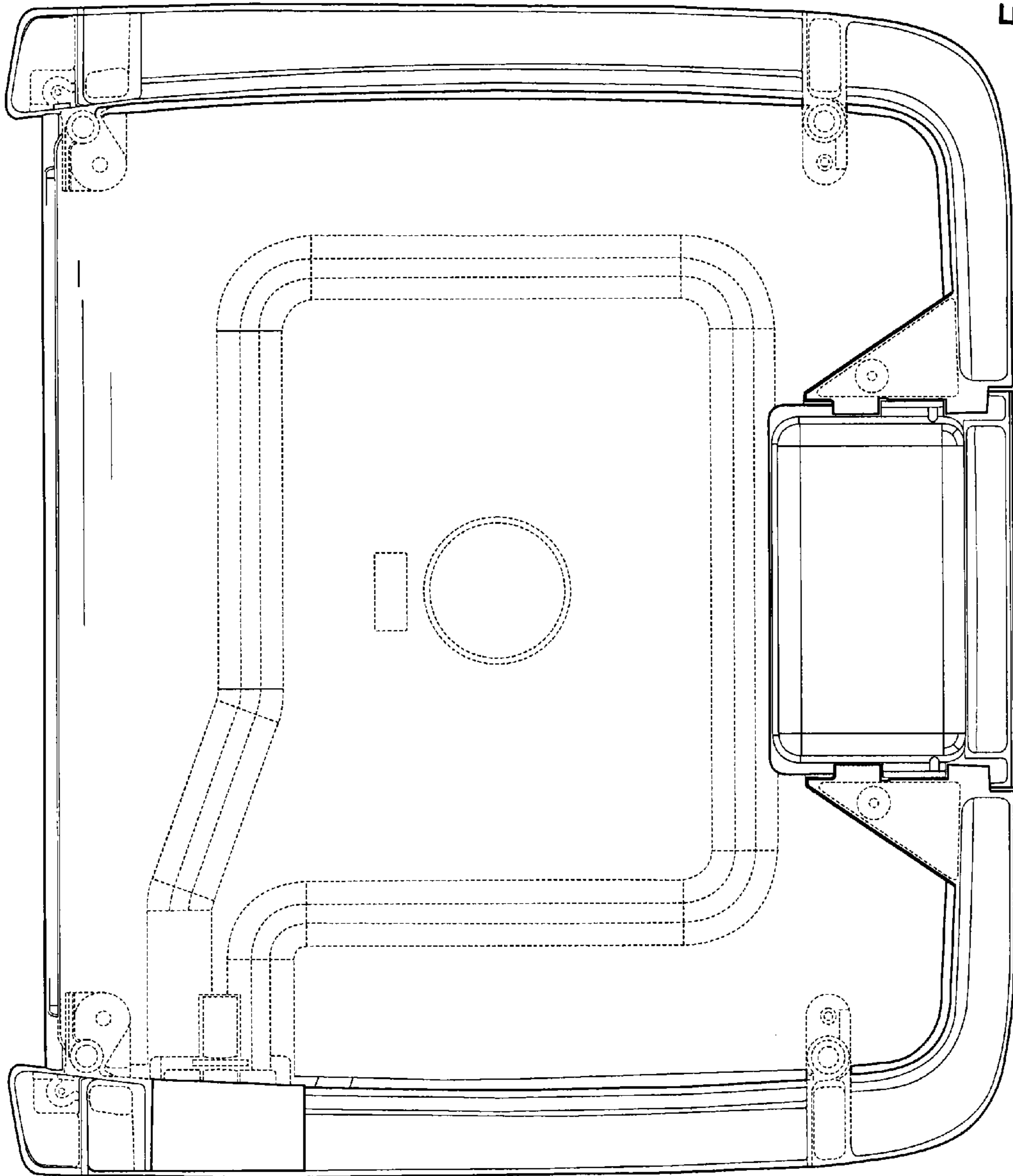


Fig. 12

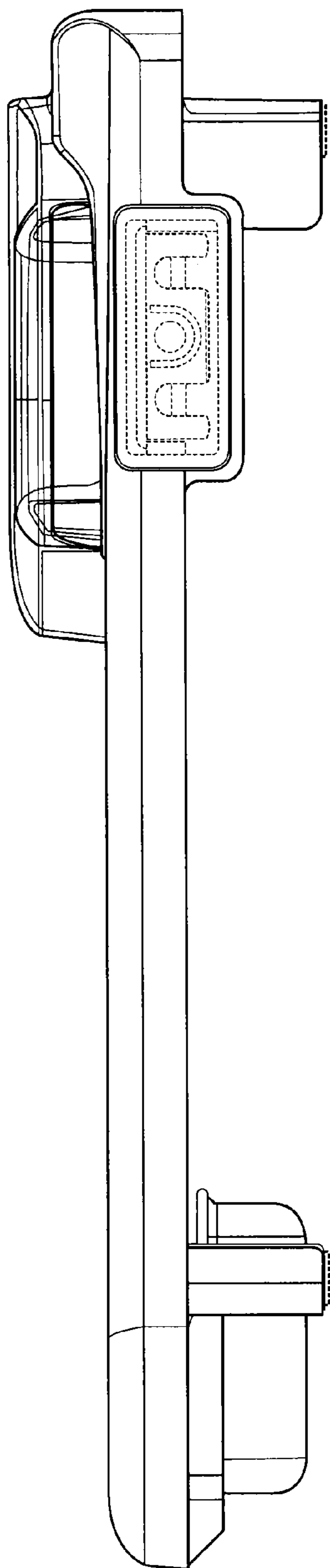


Fig. 13

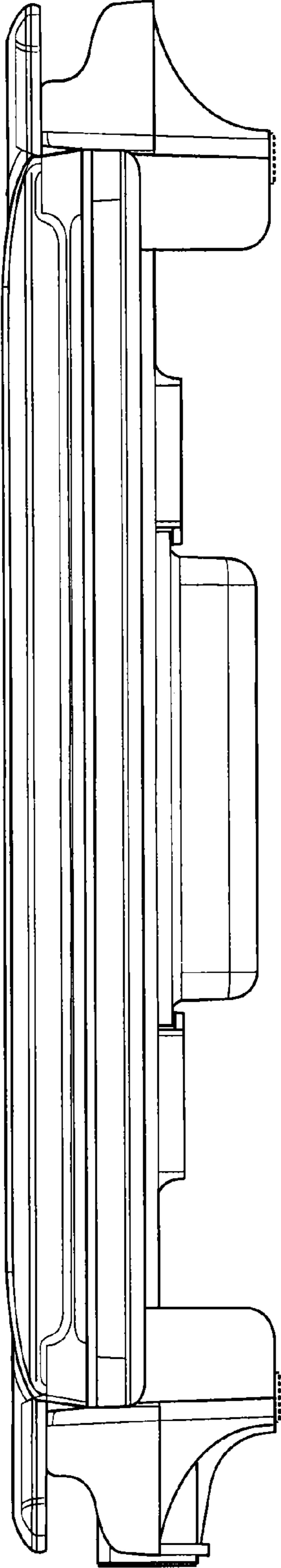


Fig. 14

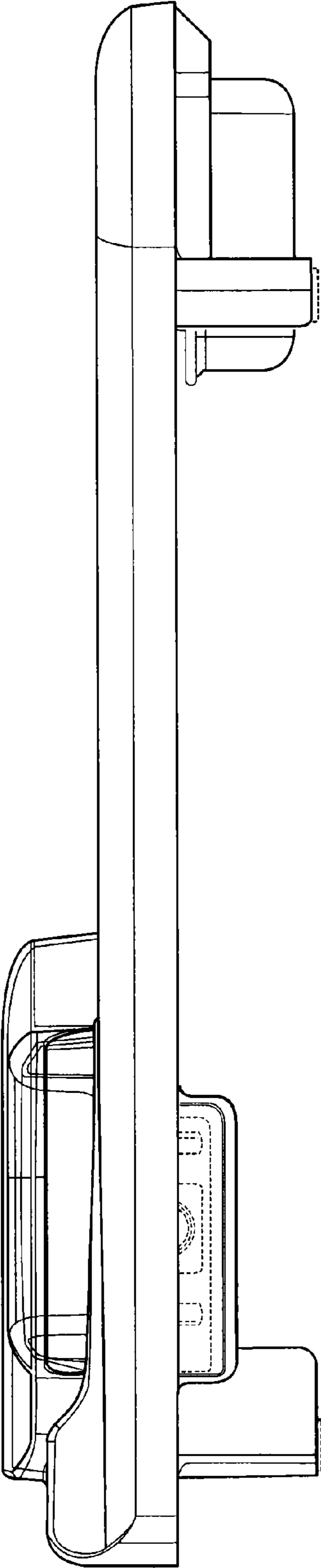


Fig. 15

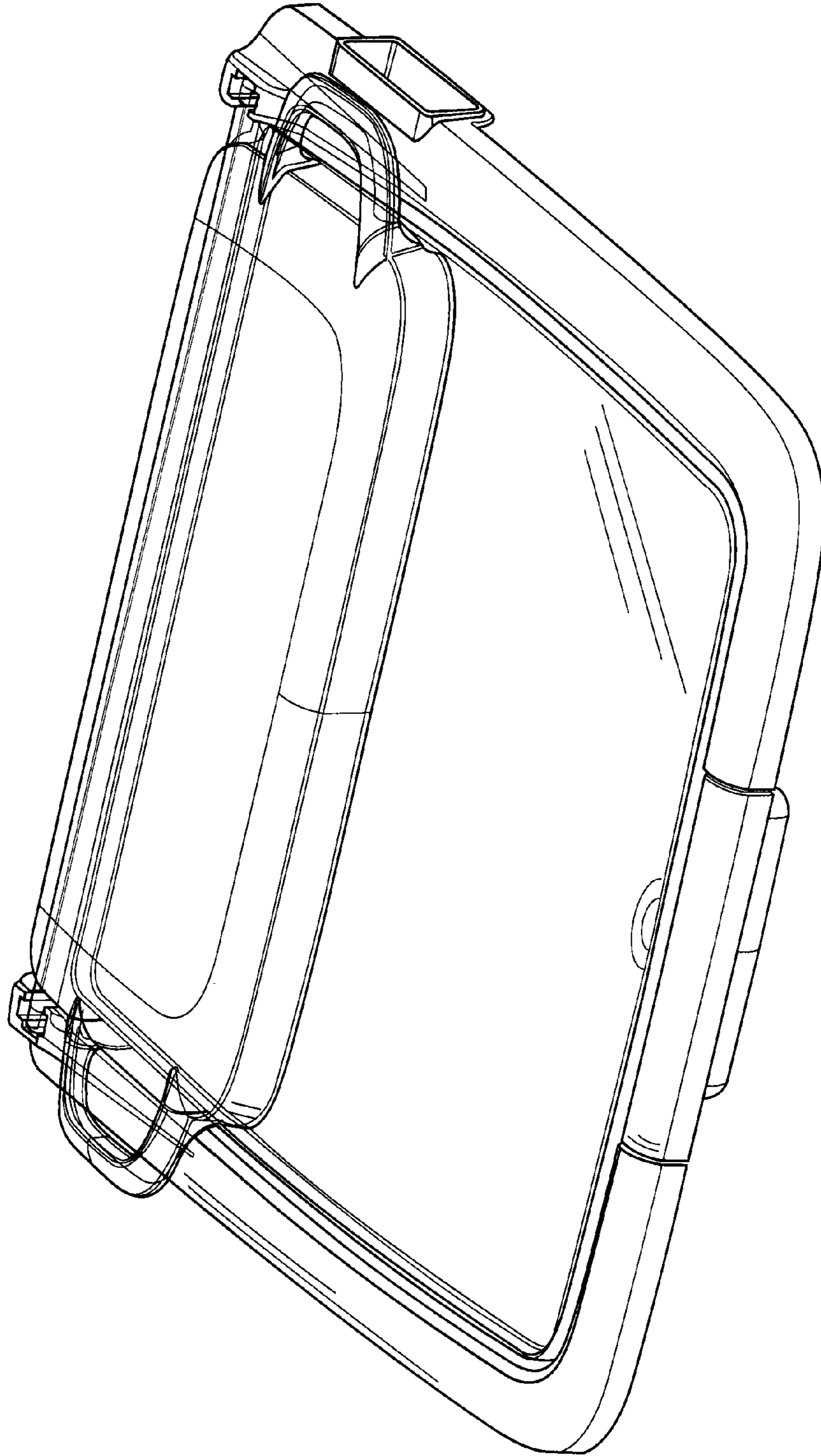


Fig. 16

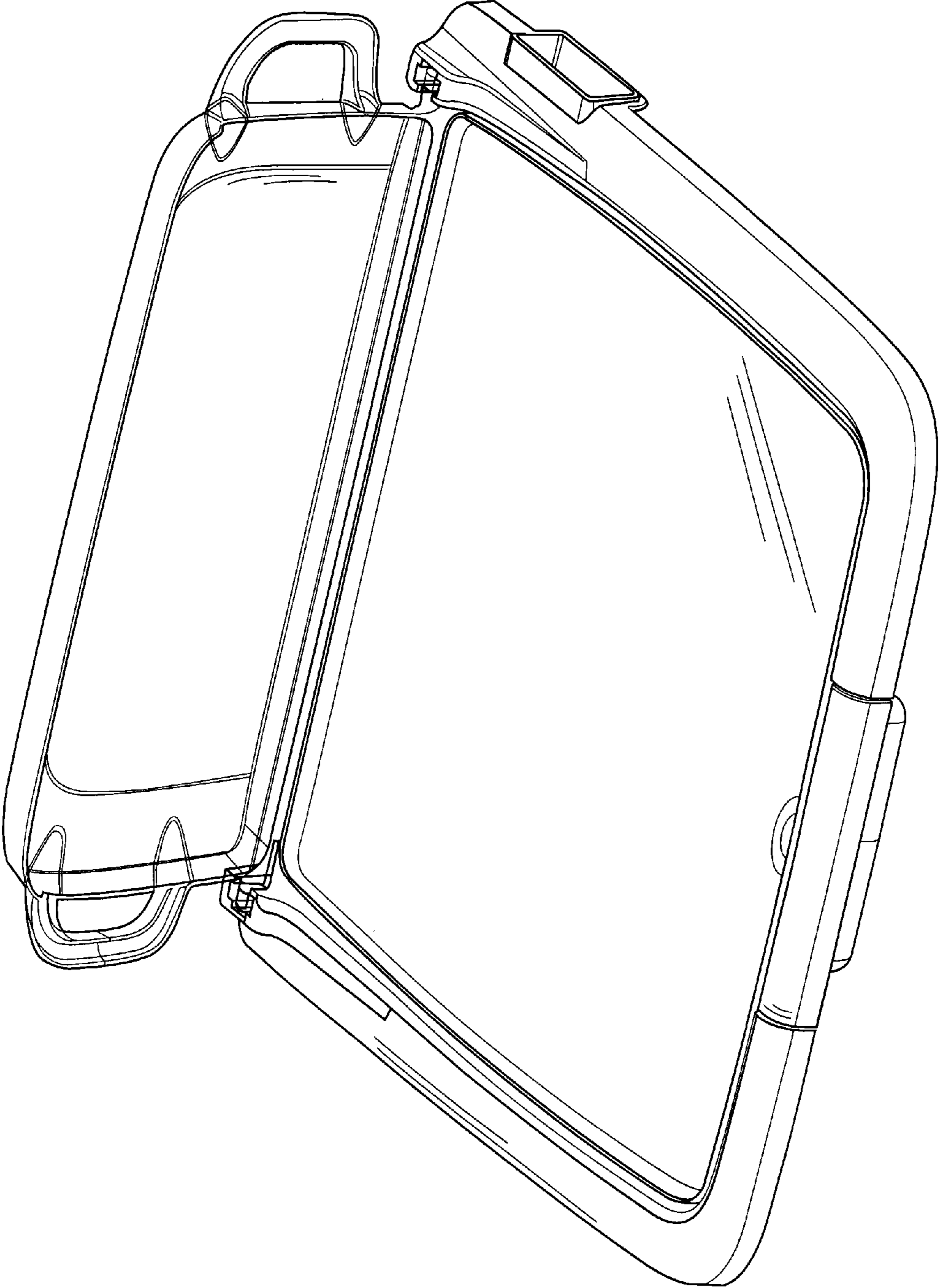


Fig. 17

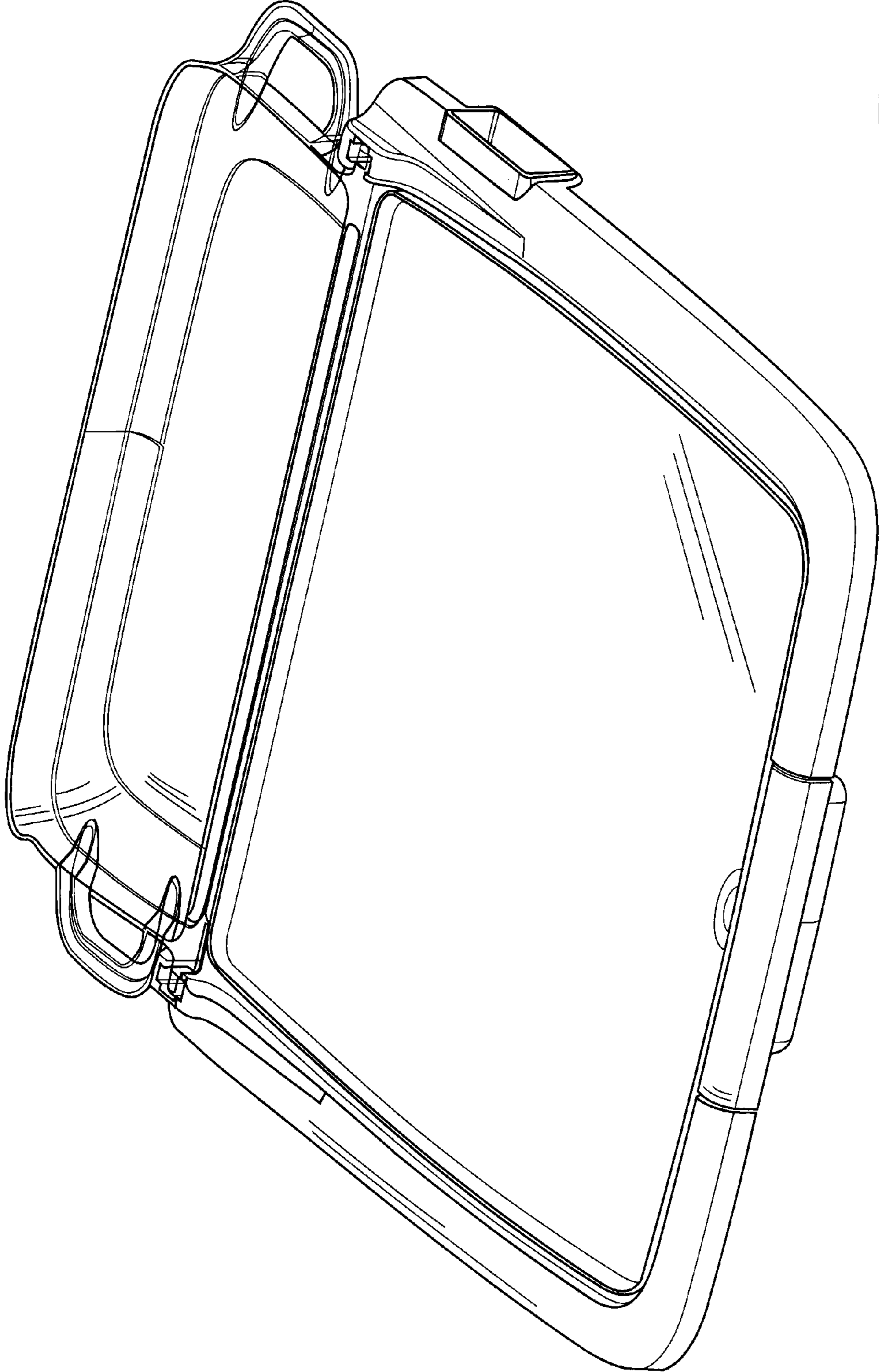


Fig. 18