



US00D674655S

(12) **United States Design Patent**  
**Chen**

(10) **Patent No.:** **US D674,655 S**  
(45) **Date of Patent:** **\*\* Jan. 22, 2013**

(54) **FRY PAN WITH COVER**

(75) Inventor: **Rui Yuan Chen**, Oxford (GB)

(73) Assignee: **Dart Industries Inc.**, Orlando, FL (US)

(\*\*) Term: **14 Years**

(21) Appl. No.: **29/395,586**

(22) Filed: **Feb. 24, 2012**

(51) **LOC (9) Cl.** ..... **07-02**

(52) **U.S. Cl.** ..... **D7/361; D7/354**

(58) **Field of Classification Search** ..... D7/323,  
D7/329-332, 337, 339, 346-347, 350.1-350.4,  
D7/354-363, 391, 393, 395, 402, 408-409,  
D7/505, 538, 542, 549, 587, 667; D9/443;  
99/324-325, 331-332, 337-340, 396, 400-418,  
99/425, 444-446, 450; 126/9 R, 25 A, 25 R,  
126/41 R, 166, 275 R, 332, 380.1, 390.1;  
206/501-505, 507-508; 219/400, 405, 435-442,  
219/620-624, 725, 730-735; 220/314, 485,  
220/491, 573.1-573.5, 759, 912; 426/438,  
426/441, 523

See application file for complete search history.

(56) **References Cited**

**U.S. PATENT DOCUMENTS**

D192,257 S \* 2/1962 Ebstein ..... D7/393  
4,201,312 A \* 5/1980 Basile ..... 220/314

D445,631 S \* 7/2001 Elorza ..... D7/358  
D448,965 S \* 10/2001 Jang-Won ..... D7/360  
D495,922 S \* 9/2004 Settele ..... D7/391  
D521,313 S \* 5/2006 Pukall et al. .... D7/361  
D534,031 S \* 12/2006 Roussard ..... D7/358  
D543,772 S \* 6/2007 Roussard ..... D7/358  
D579,714 S \* 11/2008 Cheng et al. .... D7/360  
D588,397 S \* 3/2009 Naef et al. .... D7/354  
D619,892 S \* 7/2010 Welk et al. .... D9/443  
D650,628 S \* 12/2011 Pallotto ..... D7/391  
2012/0174797 A1 \* 7/2012 Froza ..... 99/325

\* cited by examiner

*Primary Examiner* — Ricky Pham

(74) *Attorney, Agent, or Firm* — John A. Doninger

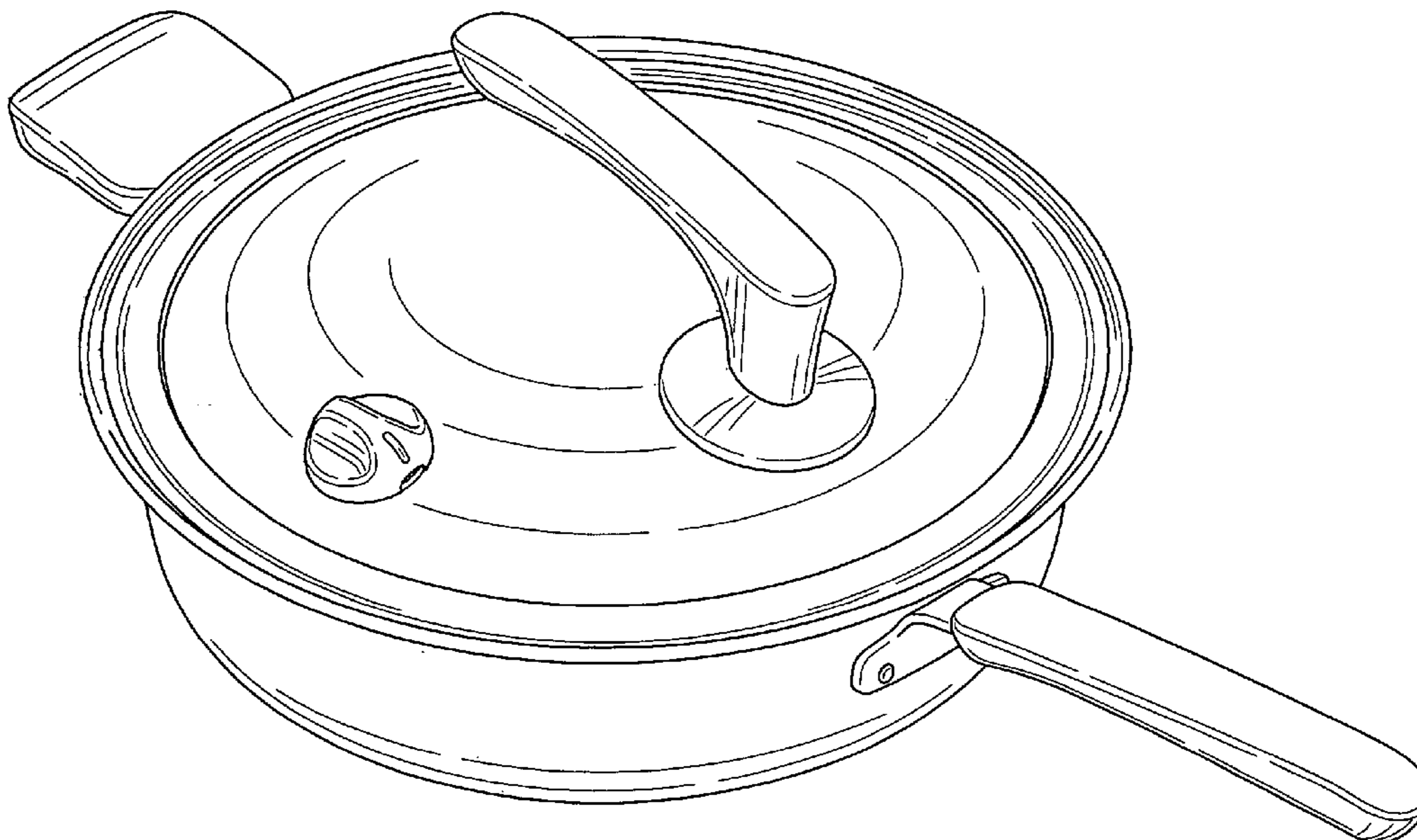
(57) **CLAIM**

The ornamental design for a fry pan with cover, as shown and described.

**DESCRIPTION**

FIG. 1 is a top, side and front perspective view of a fry pan with cover showing my new design;  
FIG. 2 is a front elevation view thereof;  
FIG. 3 is a rear elevation view thereof;  
FIG. 4 is a right side elevation view thereof;  
FIG. 5 is a left side elevation view thereof;  
FIG. 6 is a top plan view thereof; and,  
FIG. 7 is a bottom plan view thereof.

**1 Claim, 5 Drawing Sheets**



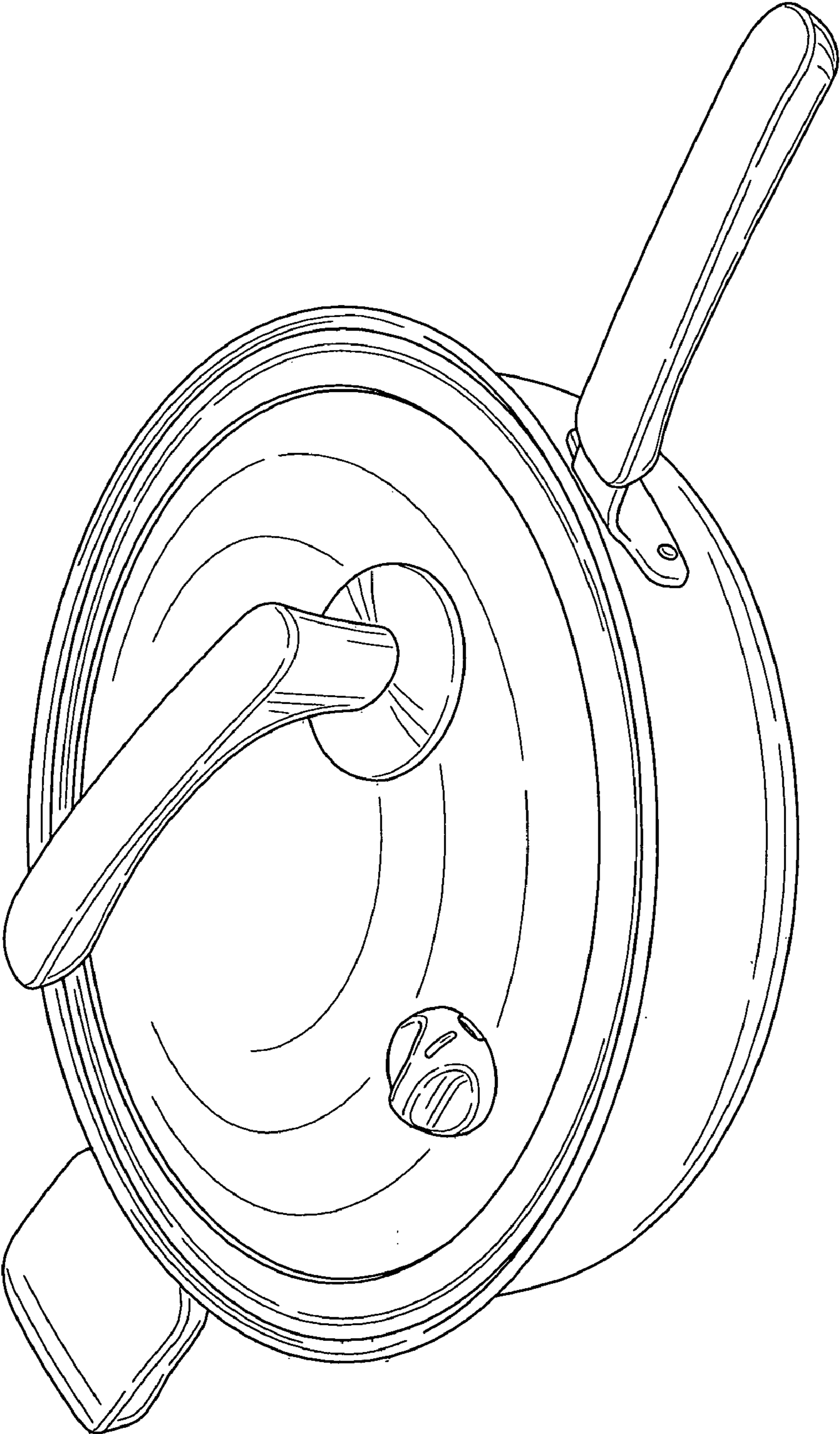


FIG. 1

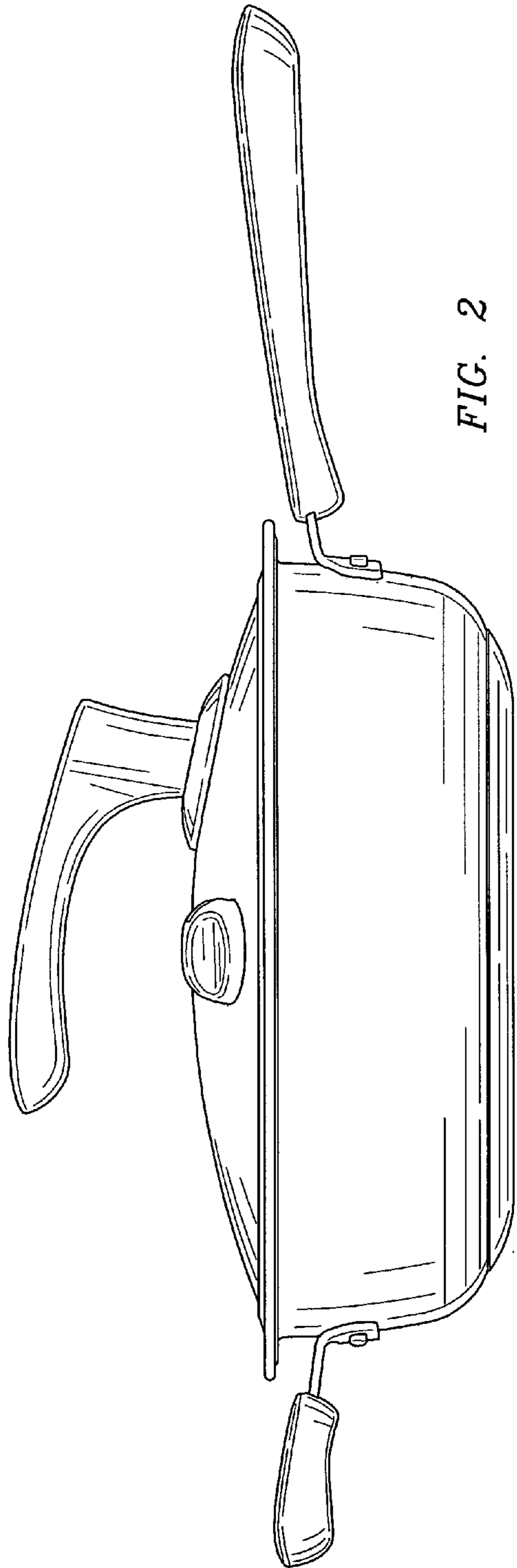


FIG. 2

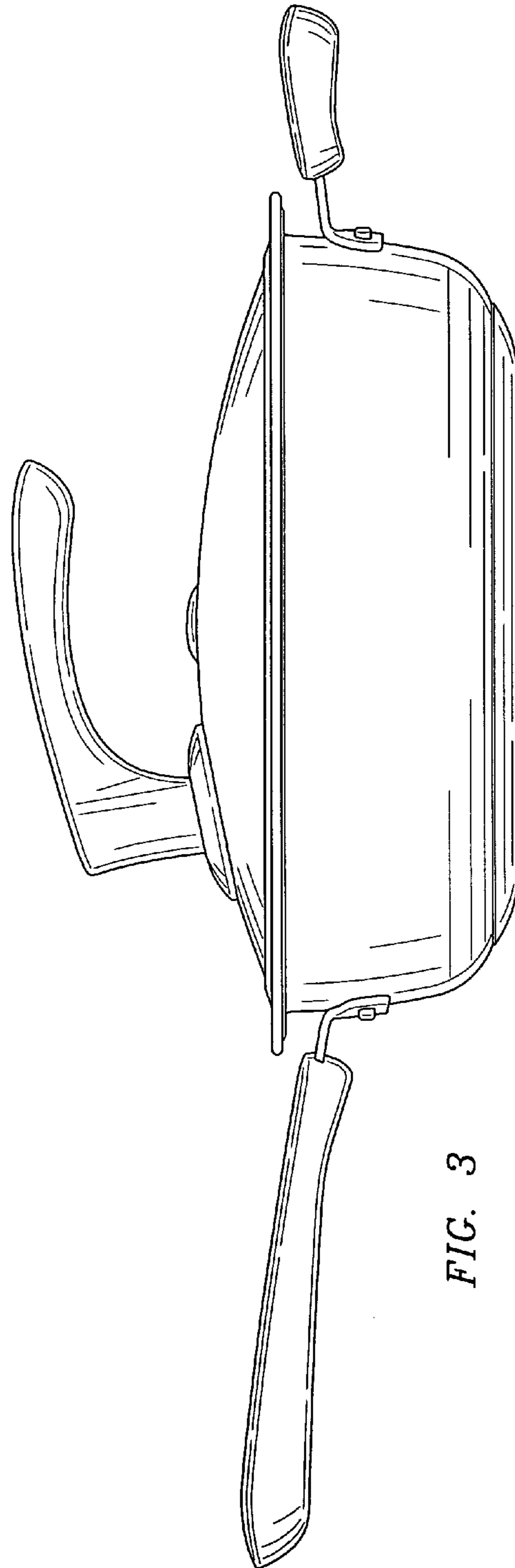


FIG. 3

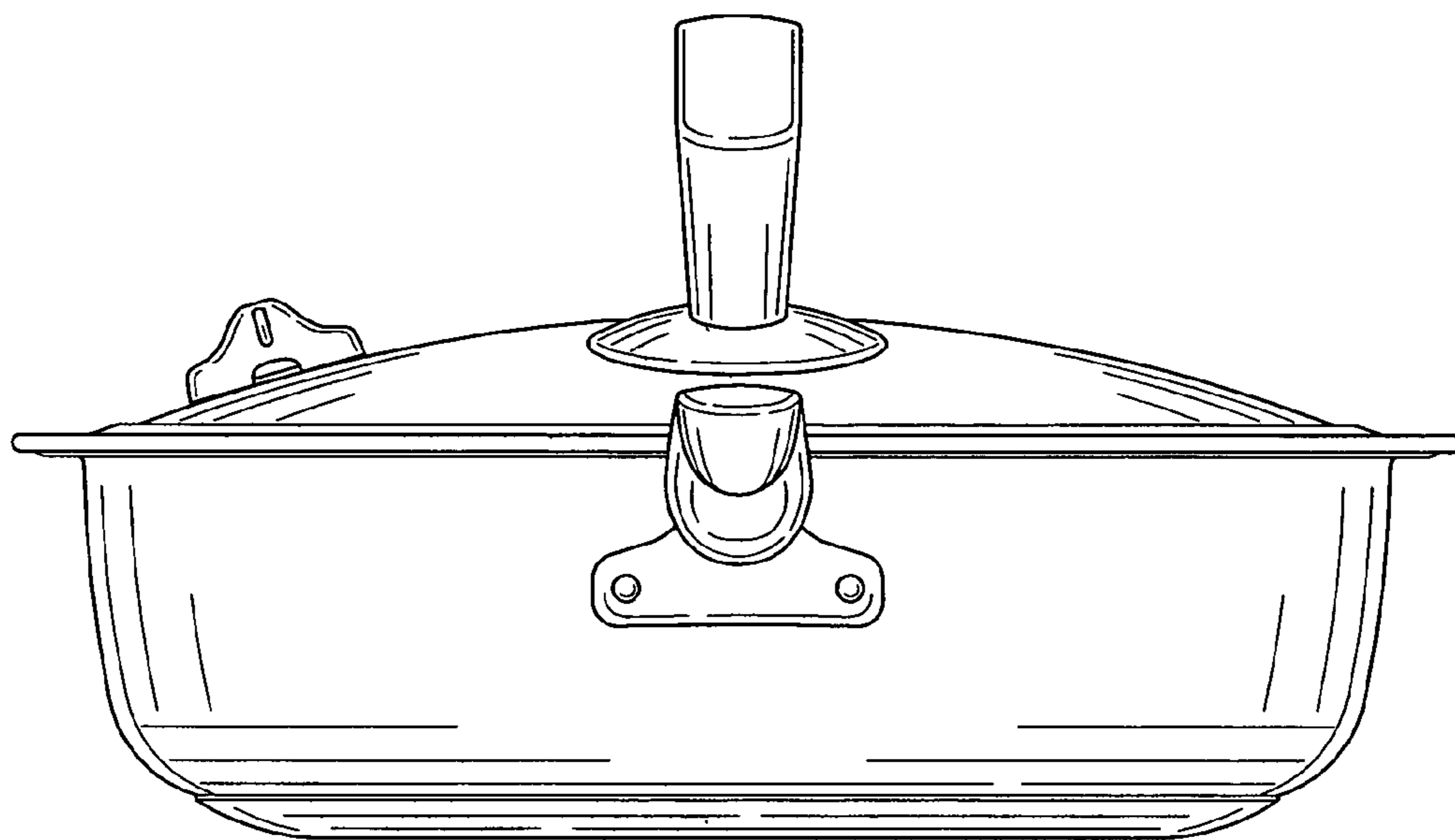


FIG. 4

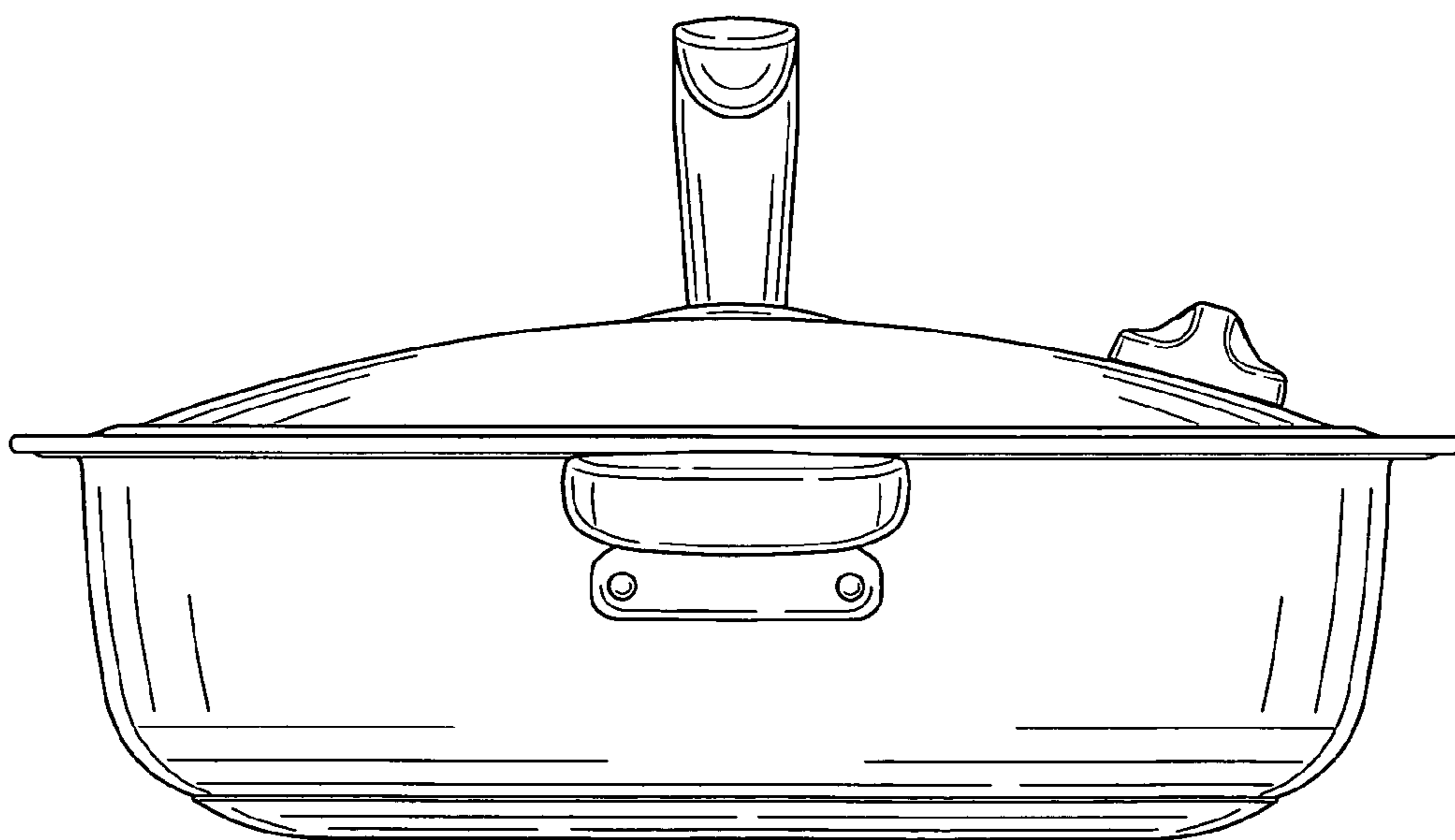


FIG. 5

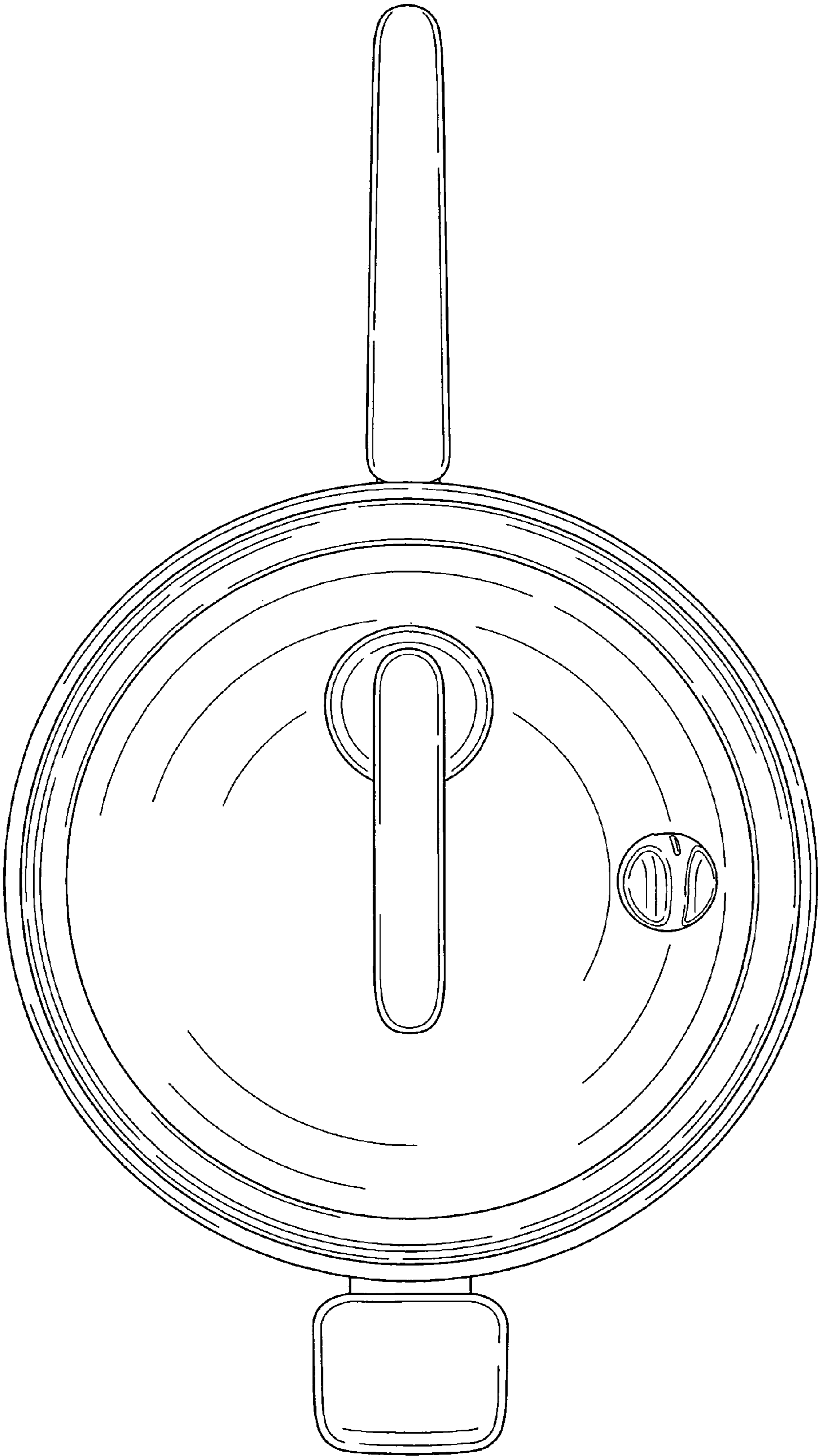


FIG. 6

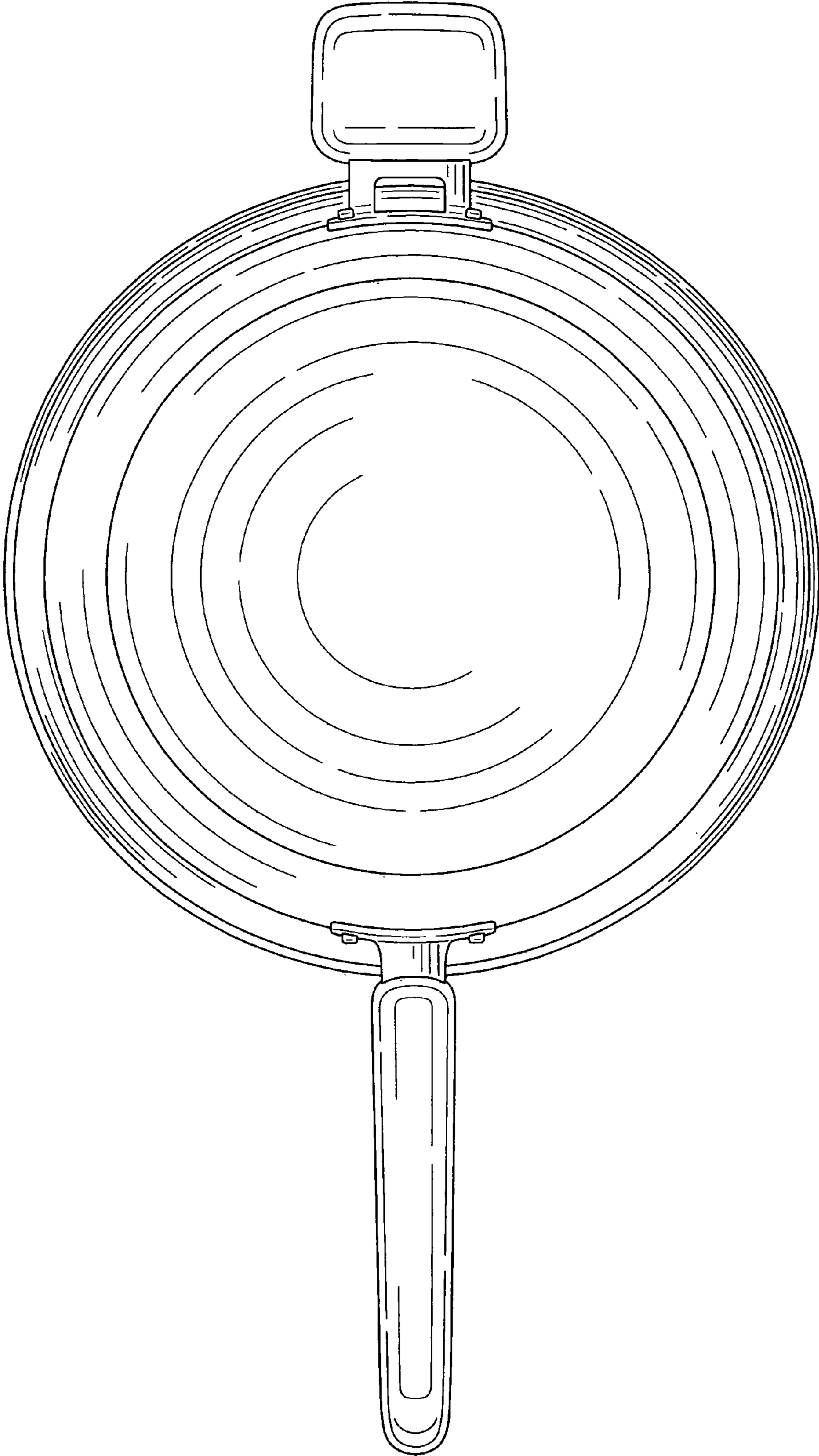


FIG. 7