



US00D674653S

(12) **United States Design Patent**
Chen

(10) **Patent No.:** **US D674,653 S**

(45) **Date of Patent:** **** Jan. 22, 2013**

(54) **WOK WITH COVER**

(75) Inventor: **Rui Yuan Chen**, Oxford (GB)

(73) Assignee: **Dart Industries Inc.**, Orlando, FL (US)

(**) Term: **14 Years**

(21) Appl. No.: **29/395,594**

(22) Filed: **Feb. 24, 2012**

(51) **LOC (9) Cl.** **07-02**

(52) **U.S. Cl.** **D7/360; D7/354**

(58) **Field of Classification Search** D7/318,

D7/323, 329-332, 337, 339, 346-347, 350.1-350.4,
D7/353-363, 391, 393, 395, 402, 408-409,
D7/505, 538, 542, 549, 587, 667; 99/324-325,
99/331-332, 337-340, 396, 400-418, 425,
99/444-446, 450; 126/9 R, 25 A, 25 R, 41 R,
126/166, 275 R, 332, 380.1, 390.1; 206/501-505,
206/507-508; 219/400, 405, 435-442, 620-624,
219/725, 730-735; 220/314, 485, 491, 573.1-573.5,
220/759, 912; 426/438, 441, 523

See application file for complete search history.

(56) **References Cited**

U.S. PATENT DOCUMENTS

D445,631 S * 7/2001 Elorza D7/358
D448,965 S * 10/2001 Jang-Won D7/360

D479,432 S * 9/2003 Barker D7/360
D491,011 S * 6/2004 Park D7/358
D521,312 S * 5/2006 Pukall et al. D7/360
D525,076 S * 7/2006 Olsen et al. D7/353
D525,479 S * 7/2006 Olsen et al. D7/360
D588,397 S * 3/2009 Naef et al. D7/354
D590,205 S * 4/2009 Tetreault et al. D7/360
D638,247 S * 5/2011 Yamada D7/318
D641,204 S * 7/2011 Baumgartner et al. D7/360
D650,628 S * 12/2011 Pallotto D7/391
2006/0174776 A1 * 8/2006 Fissler 99/403

* cited by examiner

Primary Examiner — Ricky Pham

(74) *Attorney, Agent, or Firm* — John A. Doninger

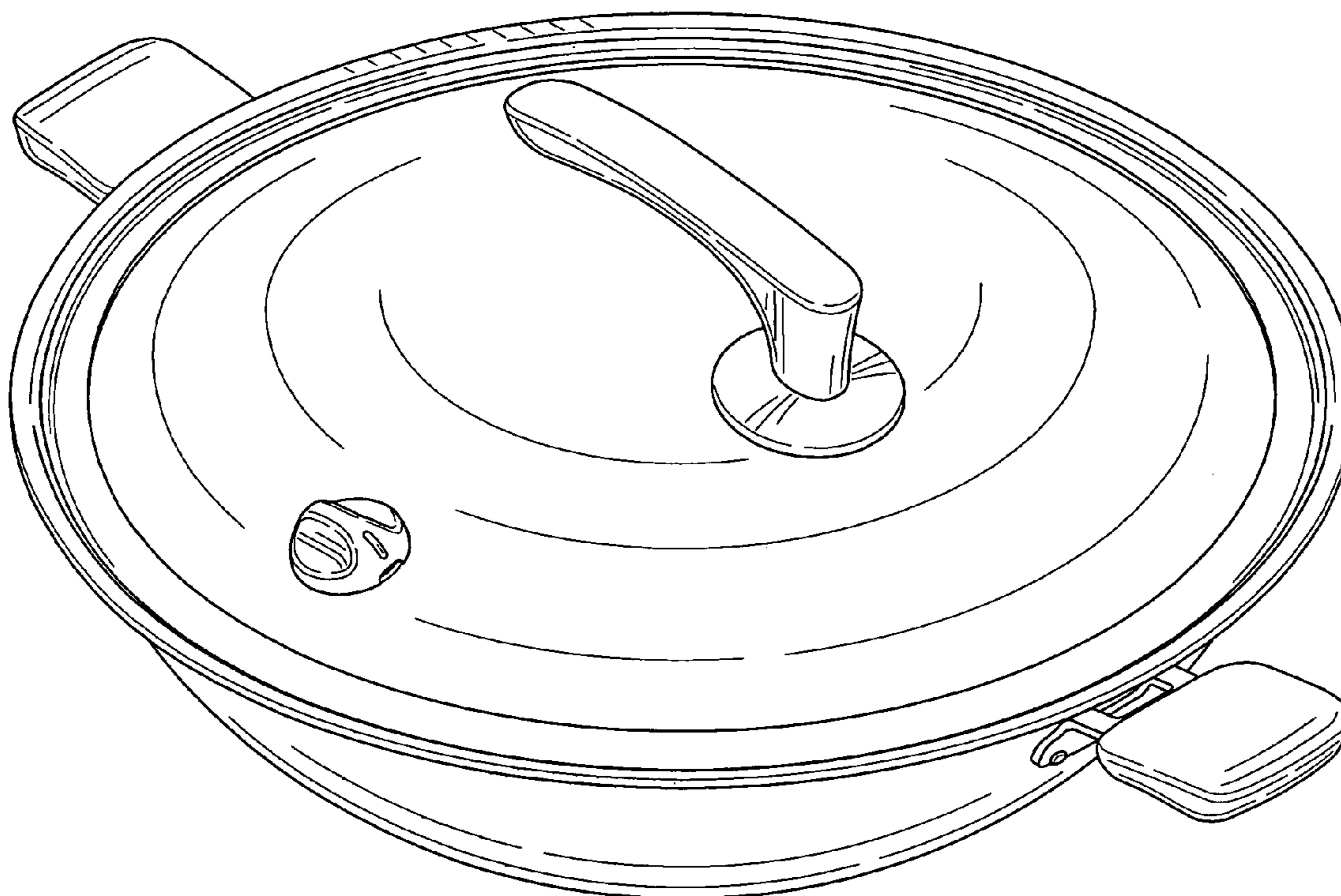
(57) **CLAIM**

The ornamental design for a wok with cover, as shown and described.

DESCRIPTION

FIG. 1 is a top, side and front perspective view of a wok with cover showing my new design;
FIG. 2 is a front elevation view thereof;
FIG. 3 is a rear elevation view thereof;
FIG. 4 is a right side elevation view thereof;
FIG. 5 is a left side elevation view thereof;
FIG. 6 is a top plan view thereof; and,
FIG. 7 is a bottom plan view thereof.

1 Claim, 6 Drawing Sheets



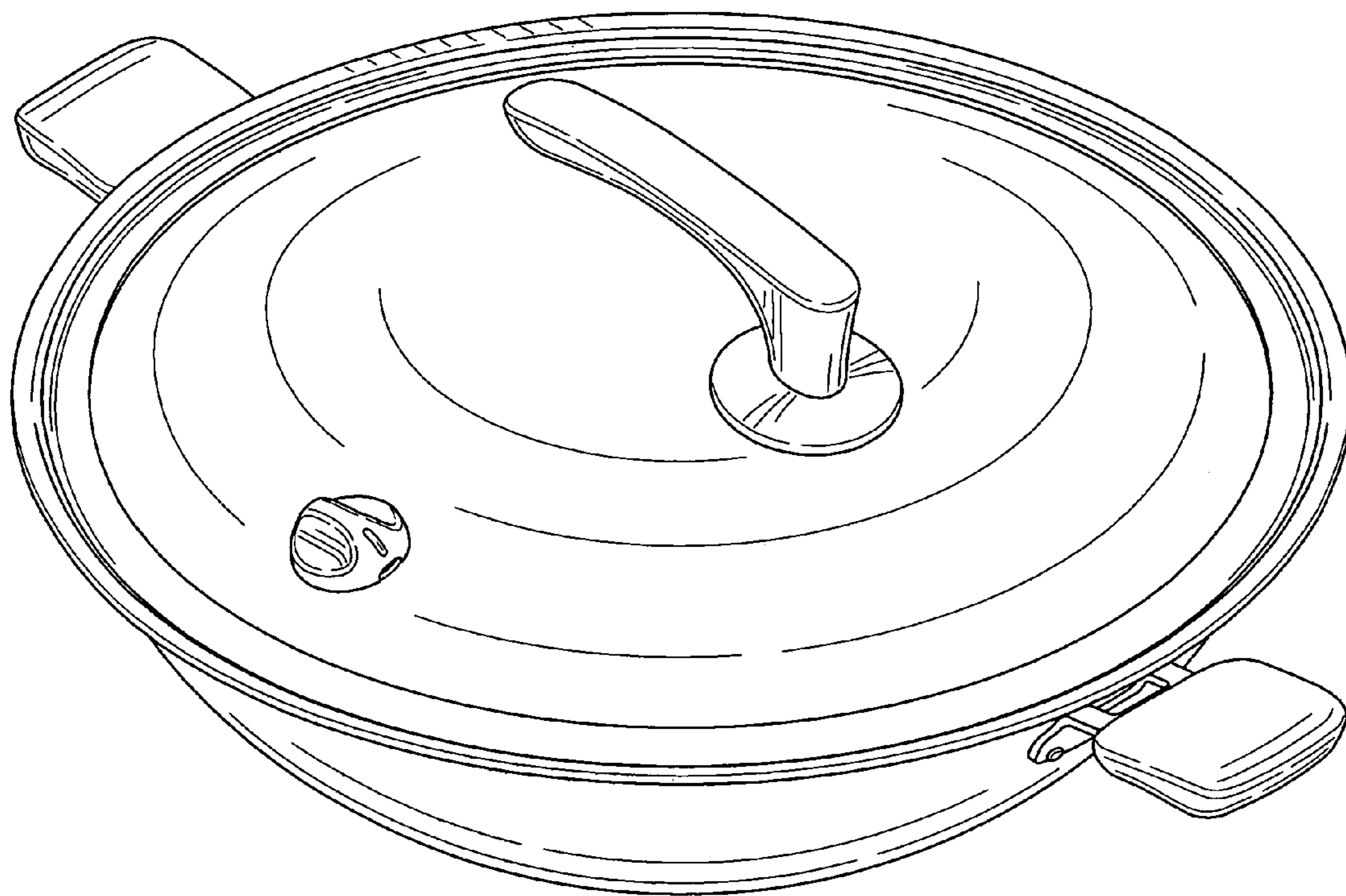


FIG. 1

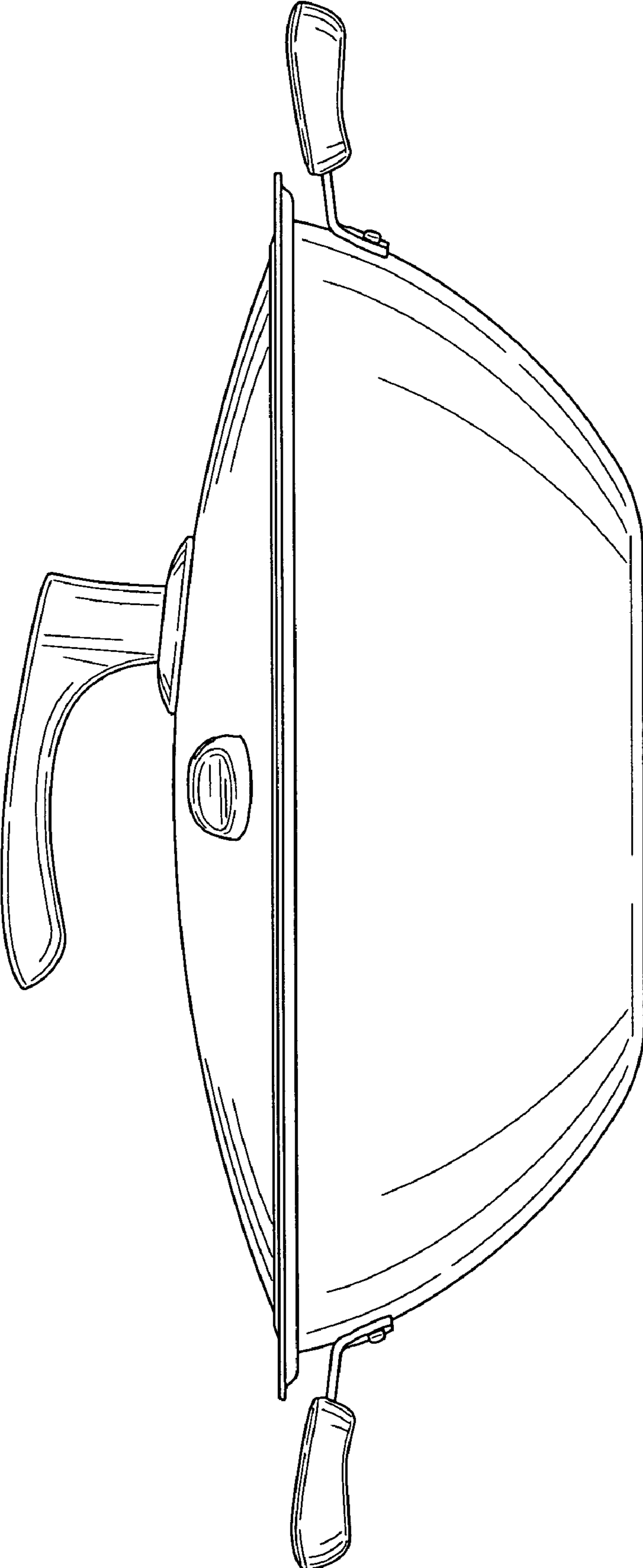


FIG. 2

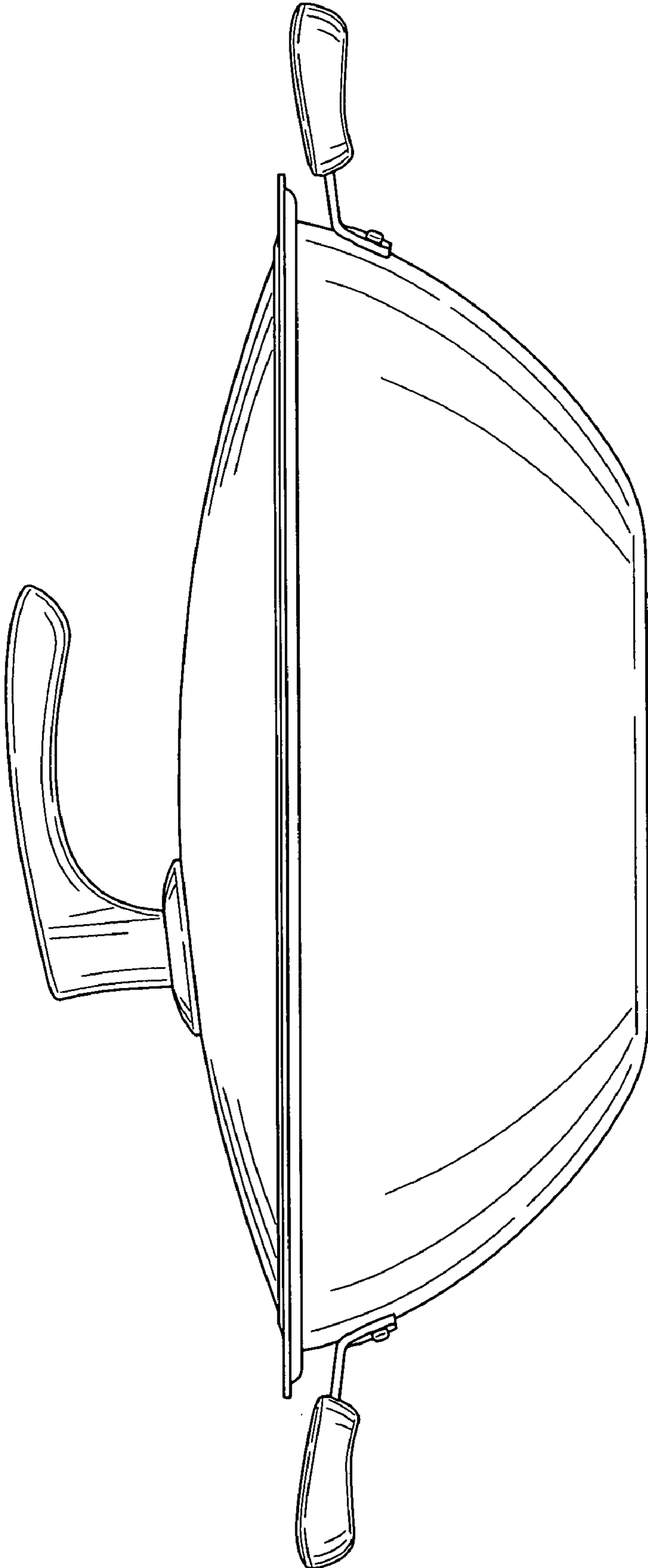


FIG. 3

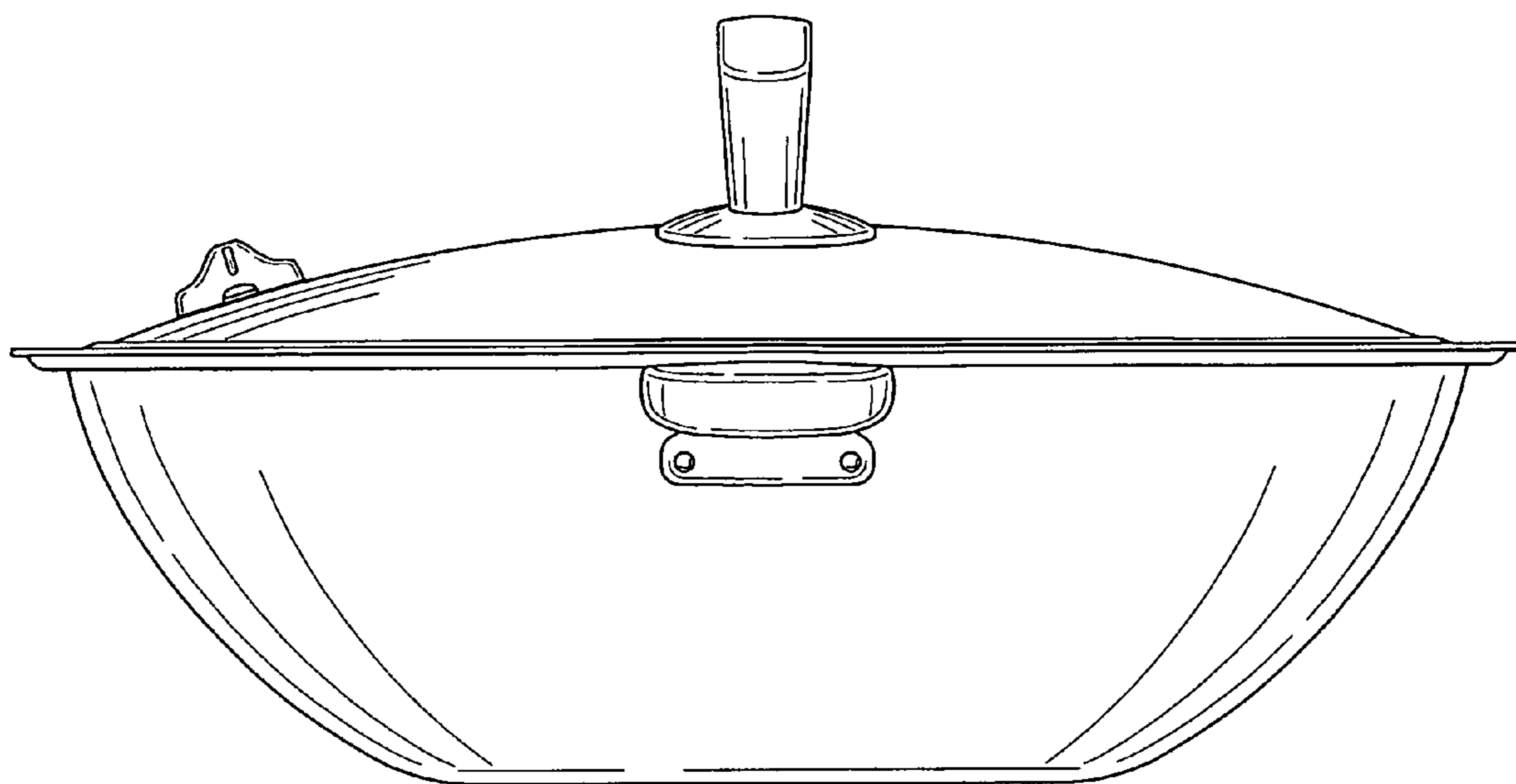


FIG. 4

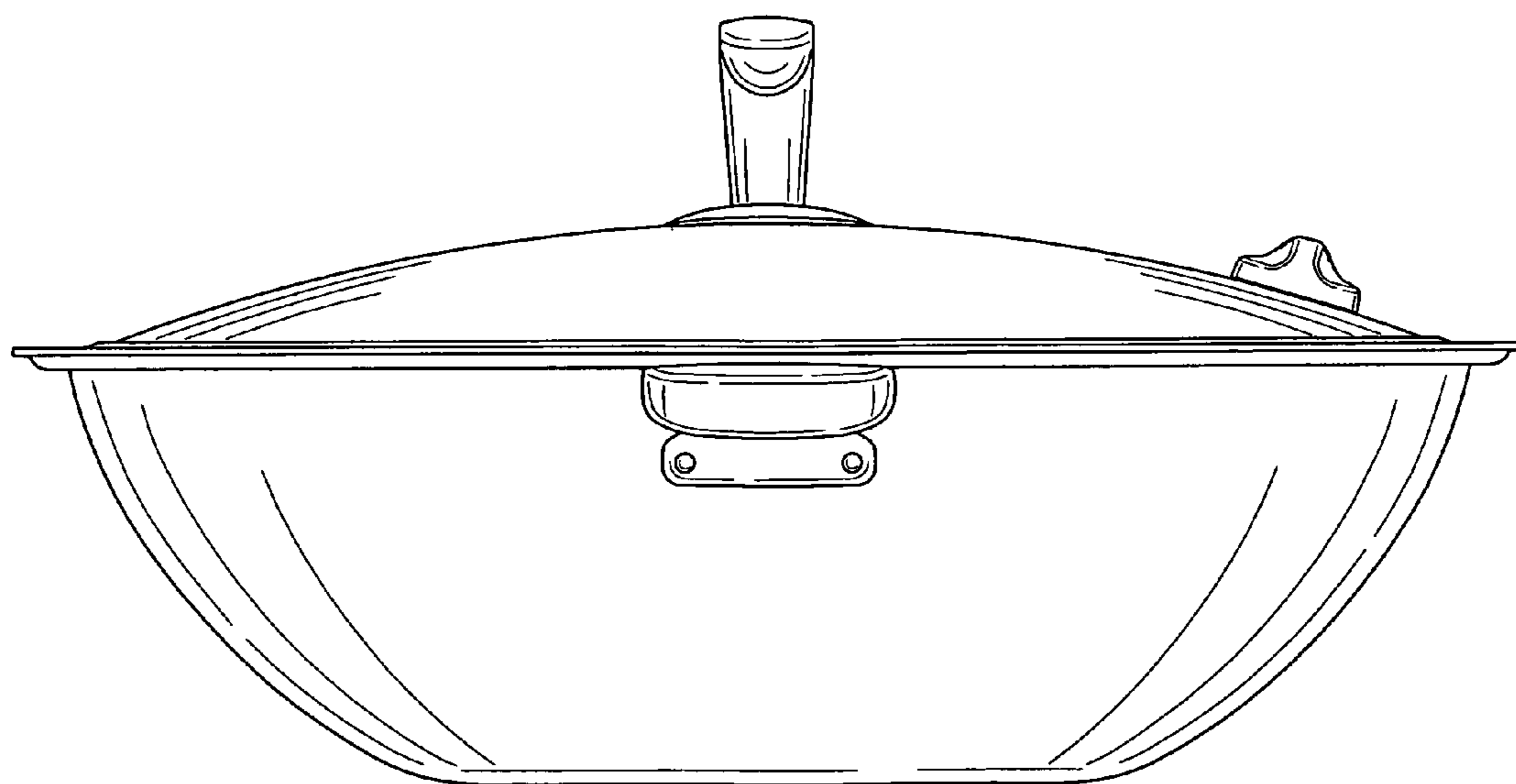


FIG. 5

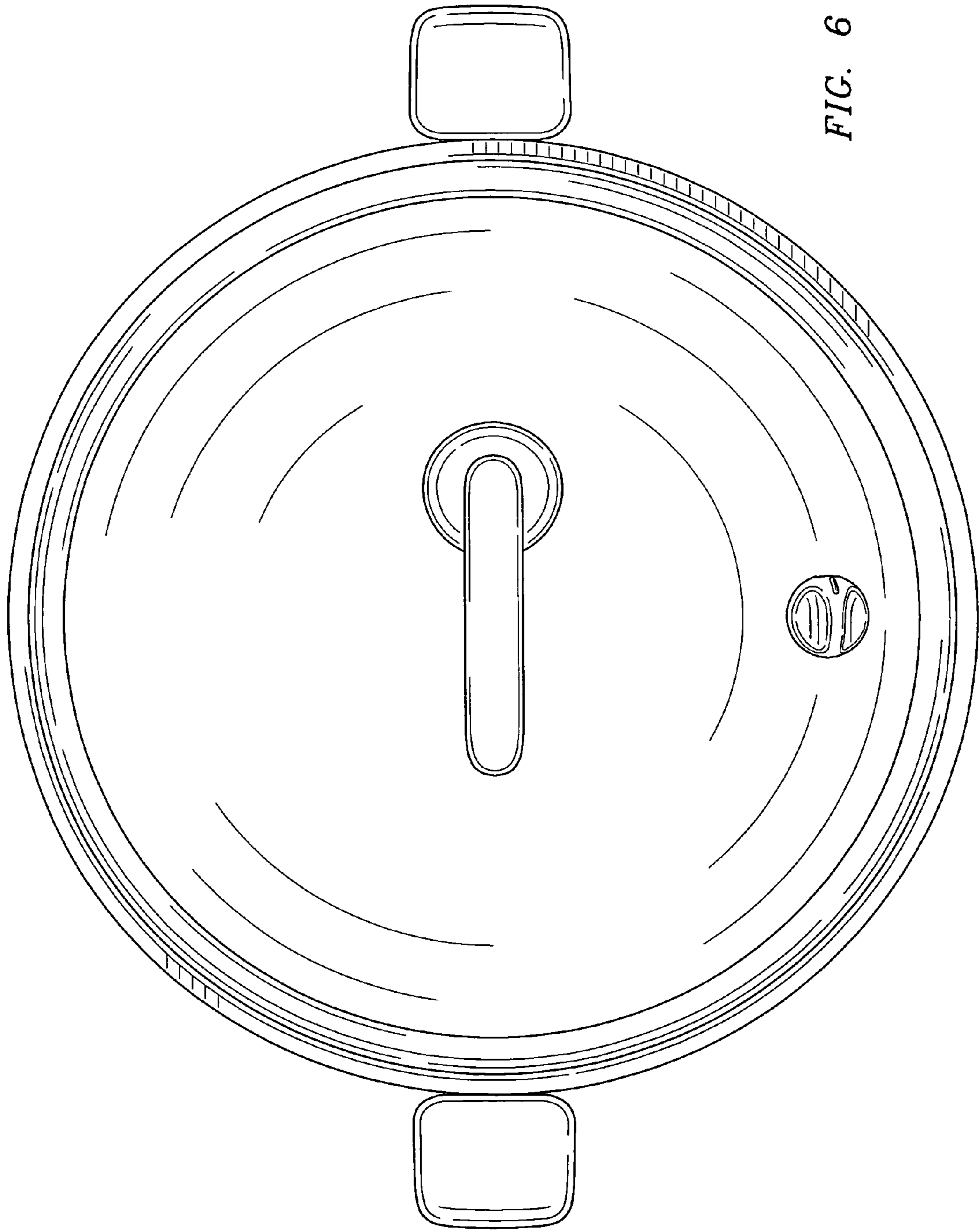


FIG. 6

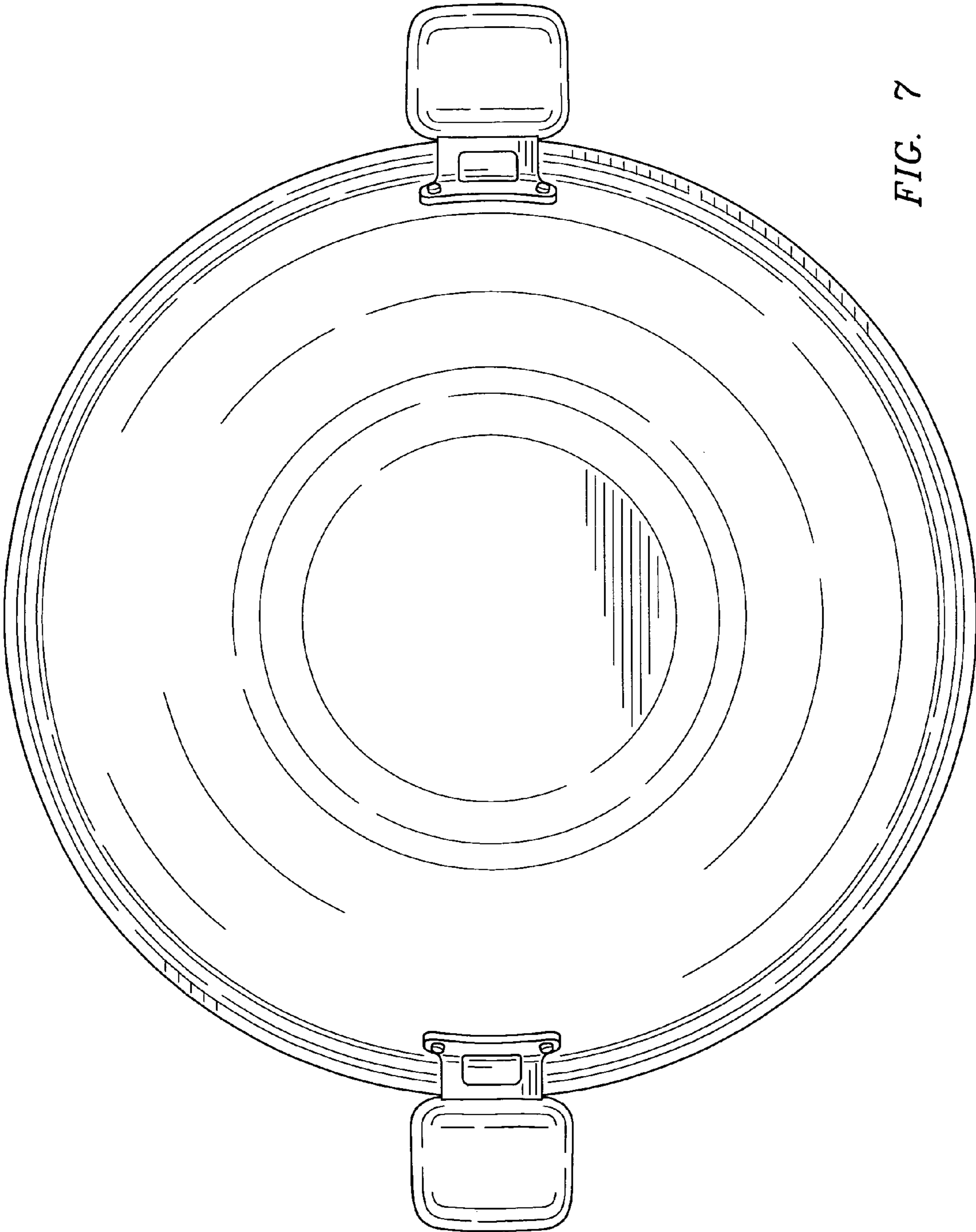


FIG. 7