



US00D674651S

(12) **United States Design Patent**
Berge

(10) **Patent No.:** **US D674,651 S**

(45) **Date of Patent:** **** Jan. 22, 2013**

(54) **DEEP FRYER**

D419,824 S * 2/2000 Sham et al. D7/354
D431,150 S 9/2000 Kalina et al.
D432,348 S * 10/2000 Shaw D7/354

(75) Inventor: **Michael R. Berge**, Eau Claire, WI (US)

(Continued)

(73) Assignee: **National Presto Industries, Inc.**, Eau Claire, WI (US)

FOREIGN PATENT DOCUMENTS

CN 200630060898.8 3/2007

(**) Term: **14 Years**

OTHER PUBLICATIONS

(21) Appl. No.: **29/429,602**

Presto® GranPappy® Electric Deep Fryer Advertisement, 1 page, copyright 2003.

(22) Filed: **Aug. 14, 2012**

(Continued)

(51) **LOC (9) Cl.** **07-02**

(52) **U.S. Cl.** **D7/354**

(58) **Field of Classification Search** D7/323,
D7/329-332, 337, 346-347, 350.1-350.4,
D7/353-367, 391, 393, 395, 402, 406, 538,
D7/542, 587.3; 99/324-325, 330-332, 337-340,
99/369, 400-418, 422, 425, 444, 483; 126/37 R,
126/41 R, 261, 378.1; 206/501-505, 507-508;
219/400, 405, 429-442, 620-624, 725, 730-735;
220/315, 573.1-573.5, 912; 426/438, 441

See application file for complete search history.

Primary Examiner — Ricky Pham

(74) *Attorney, Agent, or Firm* — Patterson Thunte Christensen Pedersen, P.A.

(57) **CLAIM**

I claim the ornamental design for deep fryer, as shown and described.

DESCRIPTION

FIG. 1 is a front view of a deep fryer according to an embodiment of the invention.

FIG. 2 is a top view of the deep fryer depicted in FIG. 1.

FIG. 3 is a right side view of the deep fryer depicted in FIG. 1.

FIG. 4 is a rear view of the deep fryer depicted in FIG. 1.

FIG. 5 is a left side view of the deep fryer depicted in FIG. 1.

FIG. 6 is a bottom view of the deep fryer depicted in FIG. 1; and,

FIG. 7 is a top perspective view of the deep fryer depicted in FIG. 1.

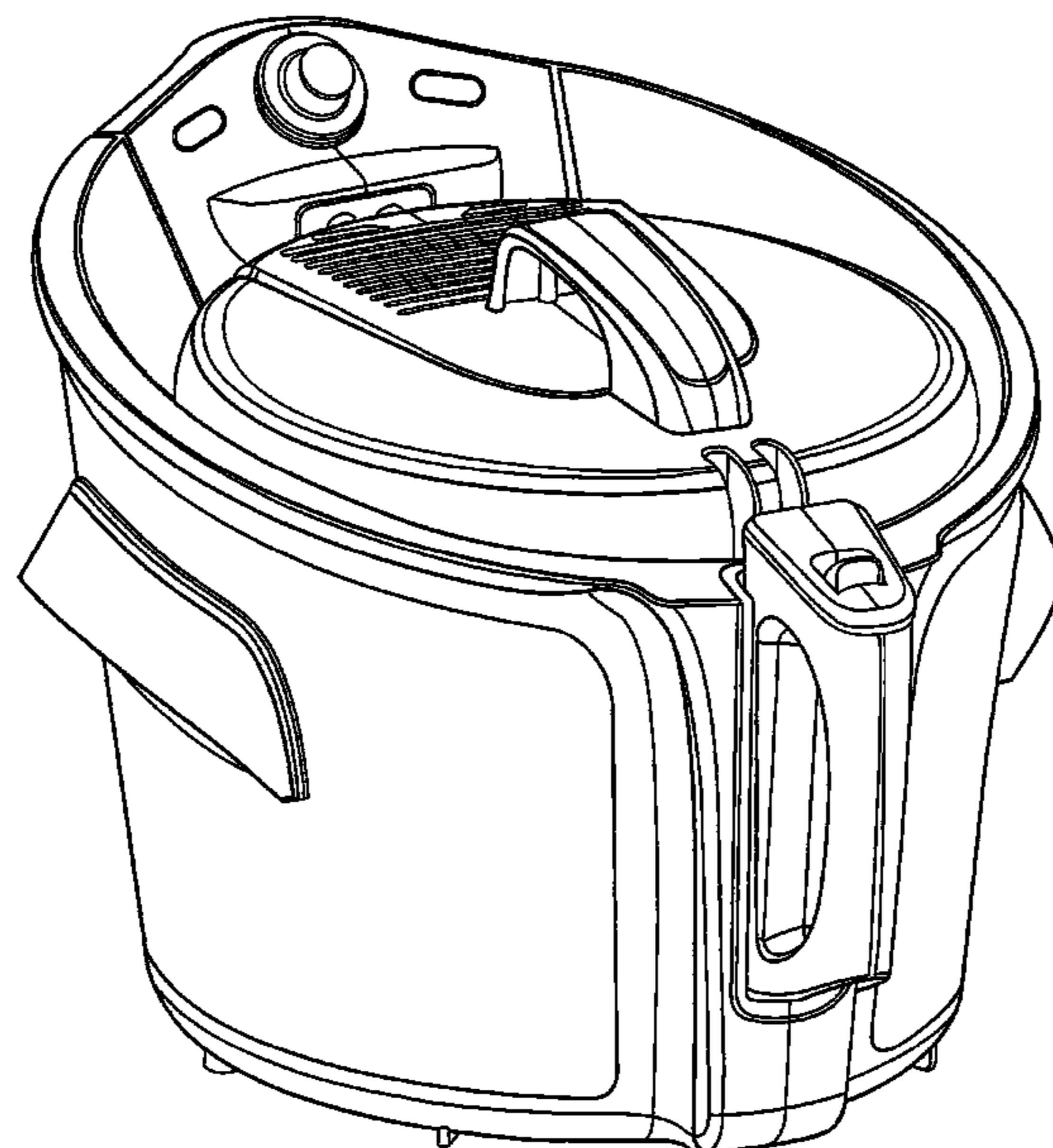
Items shown in broken lines are for illustrative purposes only and form no part of the claimed invention.

(56) **References Cited**

U.S. PATENT DOCUMENTS

D246,686 S	12/1977	Boldt	
D284,257 S	6/1986	Greb et al.	
D323,762 S	2/1992	Barrault	
D341,056 S *	11/1993	Powell D7/354
D347,353 S *	5/1994	Piret et al. D7/354
D369,505 S	5/1996	Philippe	
D380,504 S	7/1997	Yang	
D382,767 S	8/1997	Lien	
D386,646 S *	11/1997	Wurth D7/354
D416,166 S	11/1999	Hirose et al.	
D418,360 S	1/2000	Kei	
D418,361 S	1/2000	Utsugi	

1 Claim, 7 Drawing Sheets



U.S. PATENT DOCUMENTS

D444,666 S 7/2001 Kalina et al.
 D444,994 S 7/2001 Kalina et al.
 D458,507 S 6/2002 Meelen
 D473,097 S * 4/2003 Brown et al. D7/354
 D489,935 S * 5/2004 Choi D7/354
 6,742,444 B1 * 6/2004 Lai et al. 99/330
 6,823,772 B2 11/2004 Payen et al.
 D525,478 S * 7/2006 Averty D7/354
 D532,248 S * 11/2006 Allende Fritsch D7/354
 D533,014 S * 12/2006 Choi D7/354
 D549,517 S 8/2007 Moran
 D552,921 S 10/2007 Garman et al.
 D568,092 S 5/2008 Boes et al.
 D581,206 S 11/2008 Roussard
 D585,238 S 1/2009 Tseng
 D588,398 S 3/2009 Pan
 D588,860 S 3/2009 Tienor et al.
 D598,700 S 8/2009 Seymour
 D600,066 S 9/2009 Seymour
 D609,962 S * 2/2010 Fiorotto D7/354
 D610,392 S * 2/2010 Fiorotto D7/354
 D611,758 S 3/2010 Seymour

OTHER PUBLICATIONS

Presto® FryDaddy® Electric Deep Fryer Advertisement, 1 page, copyright 2007.
 Presto® FryDaddy® Plus Electric Deep Fryer Advertisement, 1 page, copyright 1990.
 Presto® FryBaby® Electric Deep Fryer Advertisement, copyright 1984.
 Presto® DualDaddy™ Electric Deep Fryer computer printout, <http://www.gopresto.com/products/products.php?stock=05450>, printed Feb. 26, 2009, 1 page, copyright 2008.
 Presto® Stainless Steel Electric Deep Fryer Instruction Manual, 5 pages, copyright 2009.
 Presto® CoolDaddy® Cool-Touch Deep Fryer Instruction Manual, 10 pages, copyright 2011.
 Presto® Stainless Steel ProFry™ Immersion Element Deep Fryer/Steamer Instruction Manual, 12 pages, copyright 2011.
 Presto® Stainless Steel Dual Basket ProFry™ immersion element deep fryer Advertisement, 1 page, copyright 2011.

* cited by examiner

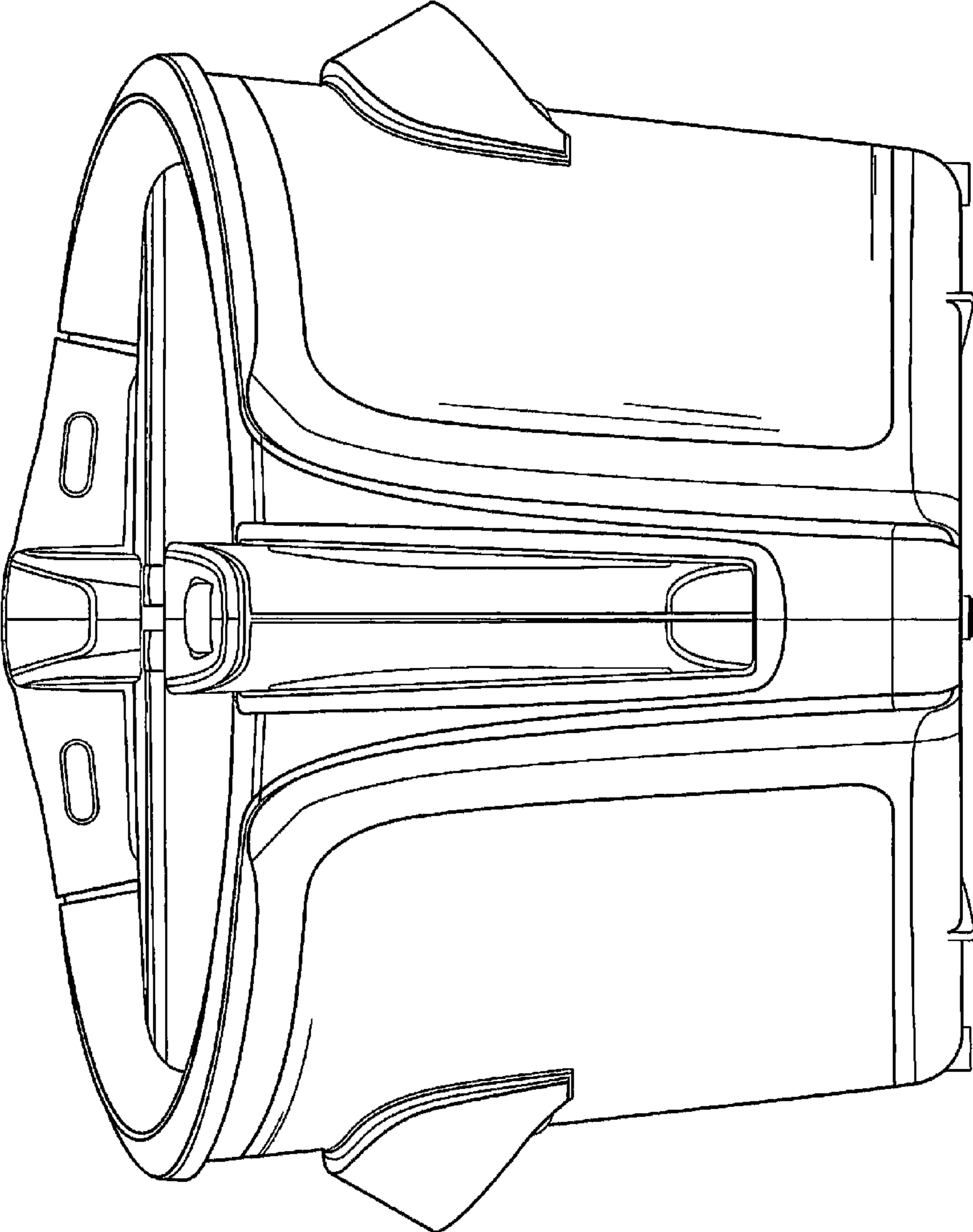


Fig. 1

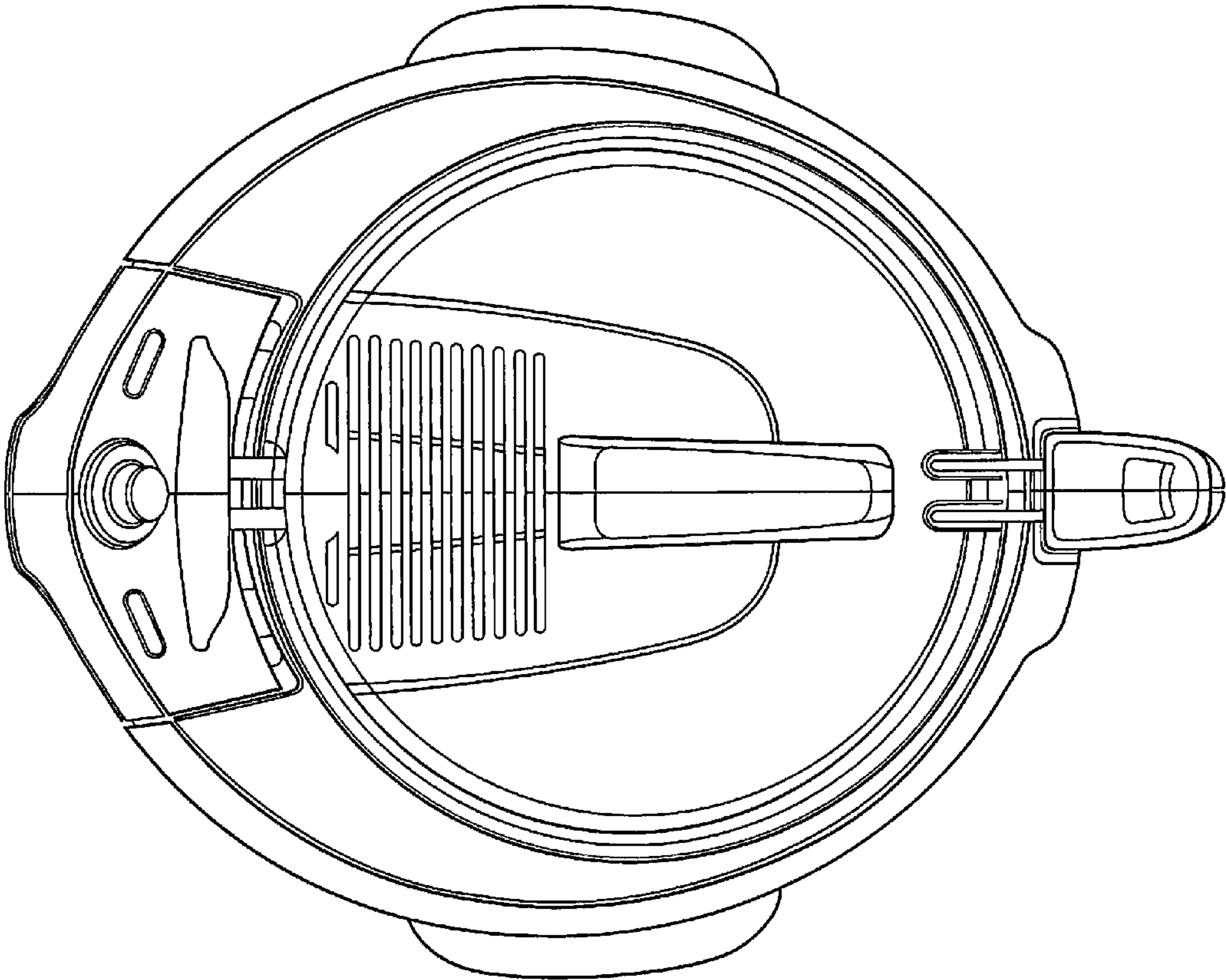


Fig. 2

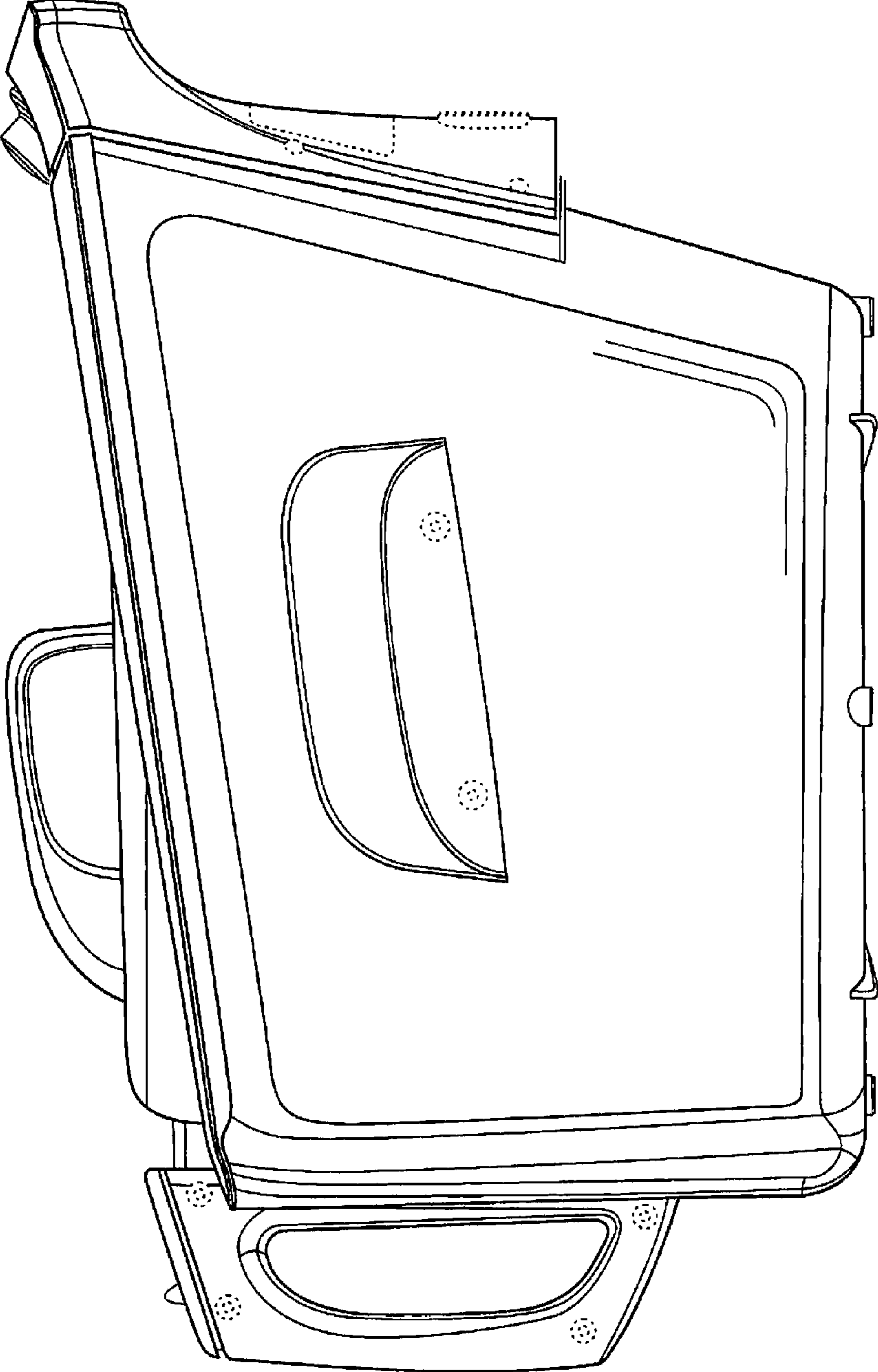


Fig. 3

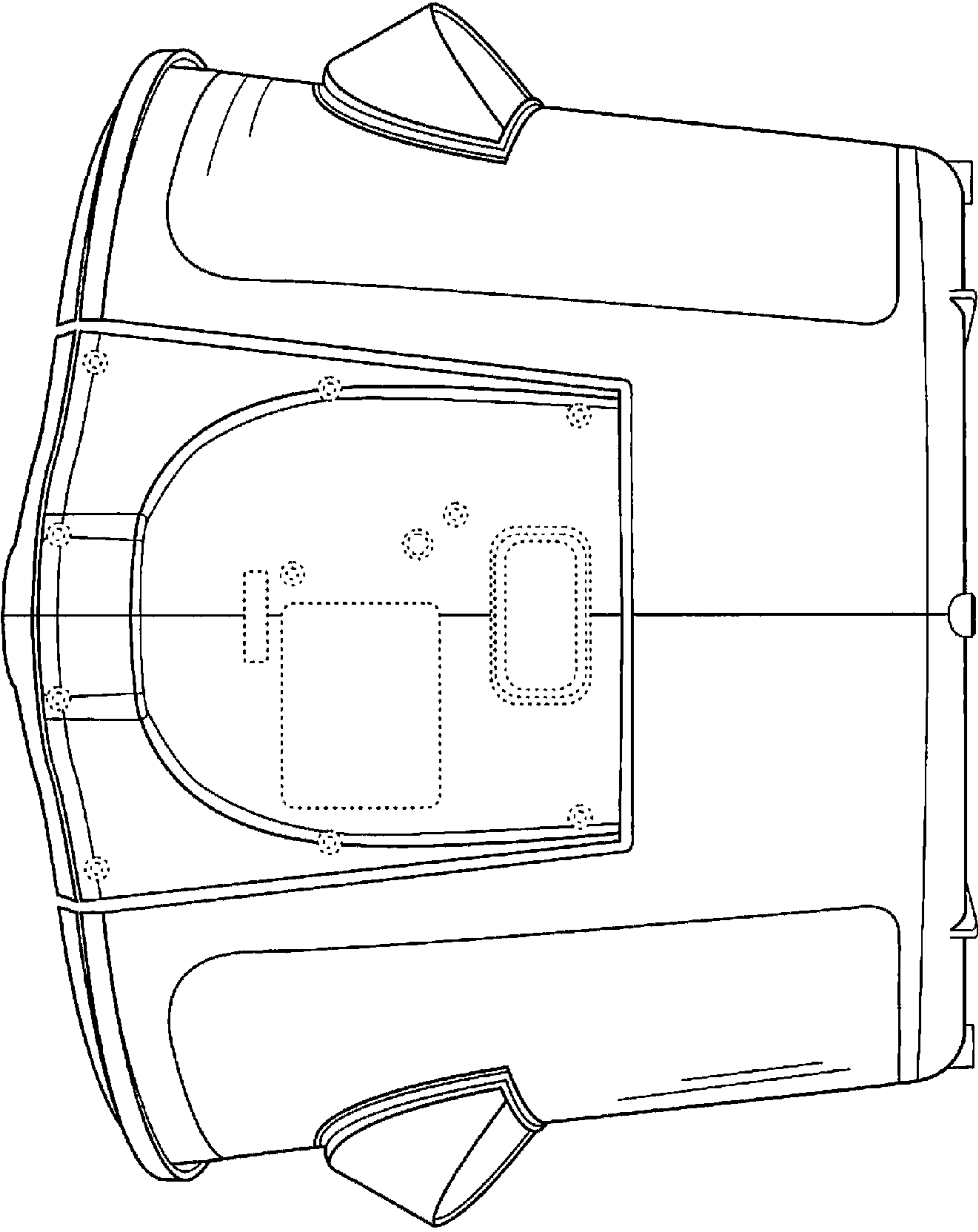


Fig. 4

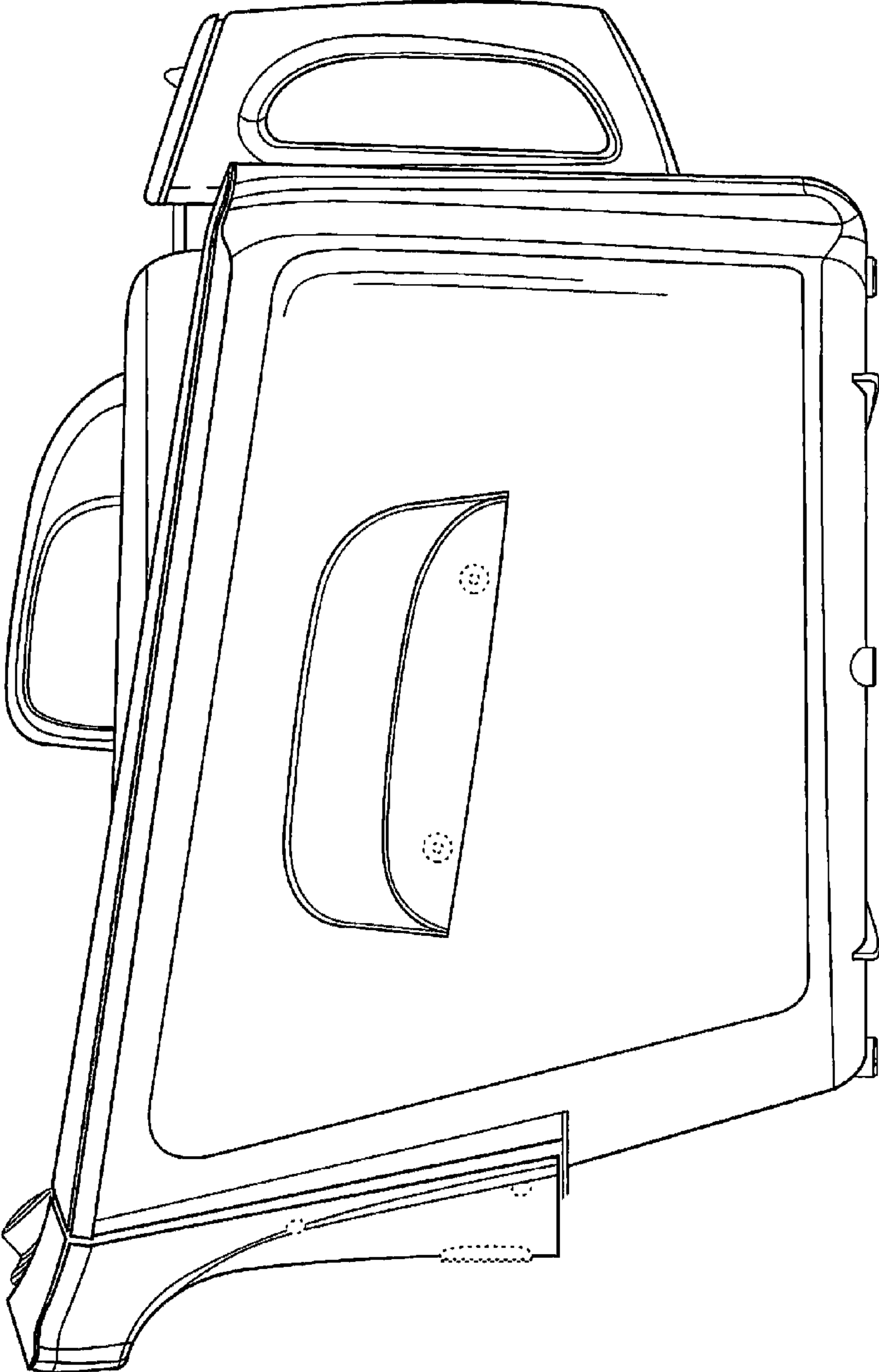


Fig. 5

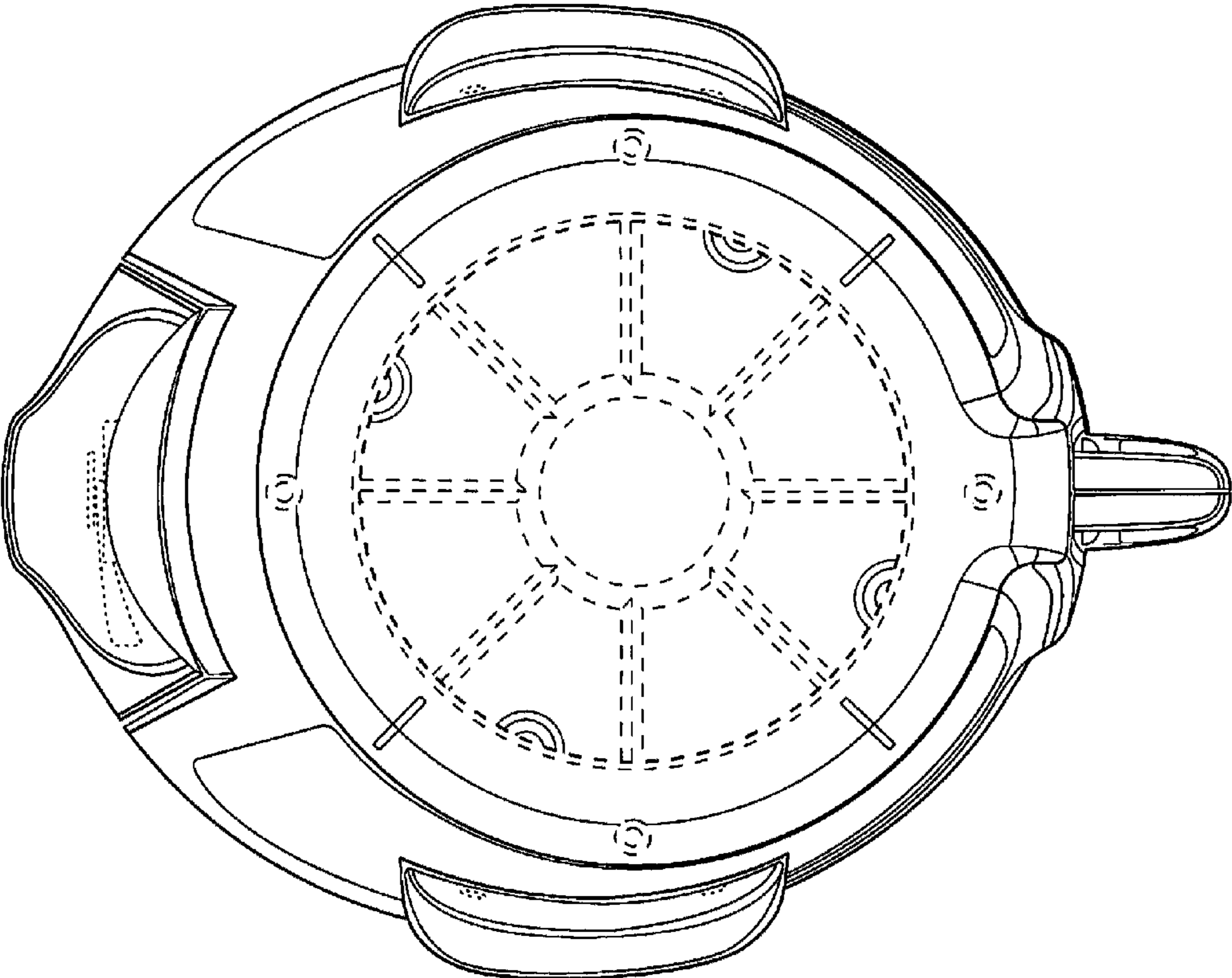


Fig. 6

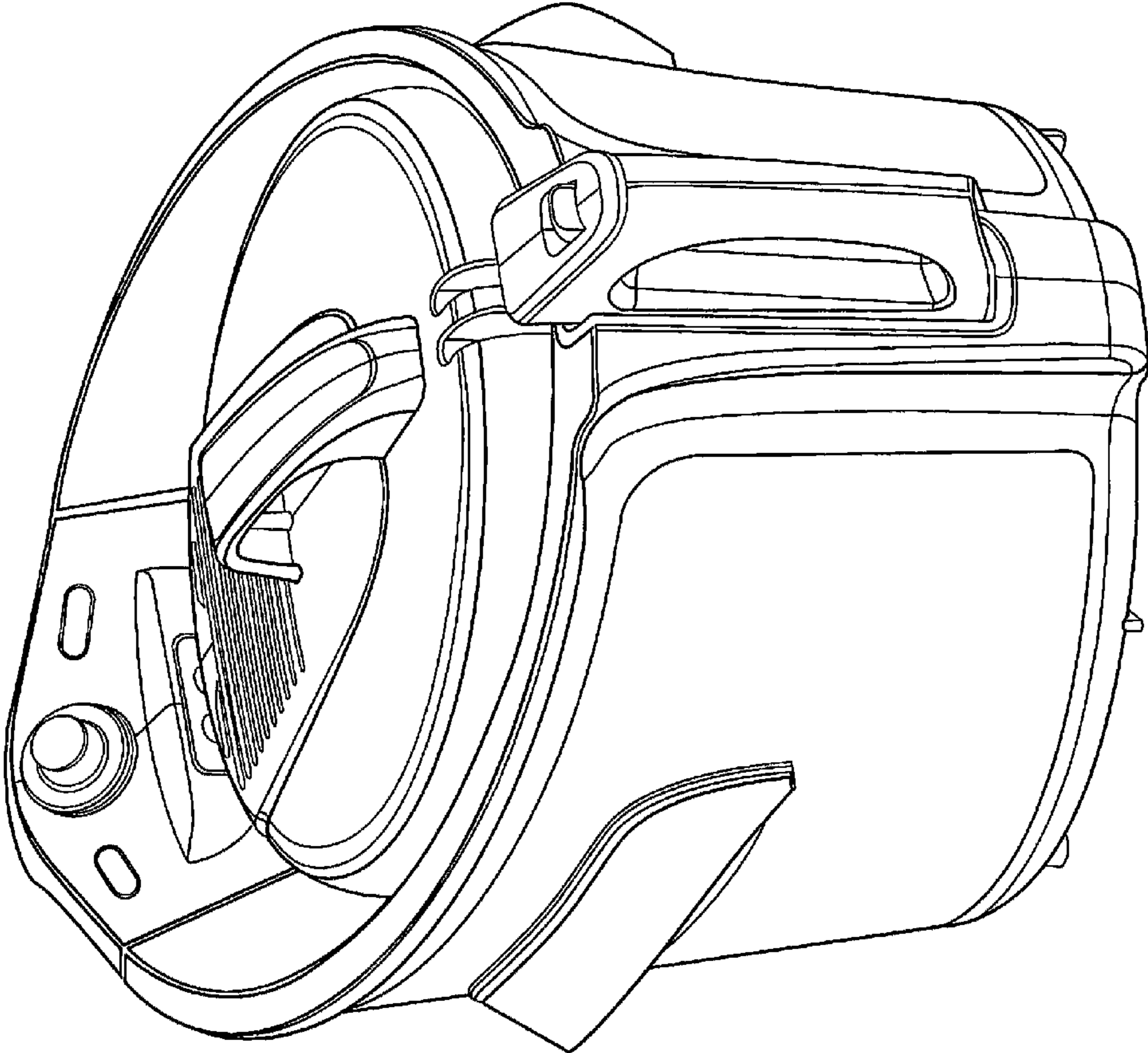


Fig. 7