



US00D674650S

(12) **United States Design Patent**  
**Day et al.**

(10) **Patent No.:** **US D674,650 S**  
(45) **Date of Patent:** **\*\* Jan. 22, 2013**

(54) **MODULAR SLOW COOKER**  
(75) Inventors: **Adam Day**, Boynton Beach, FL (US);  
**Jeffrey Juskowich**, Mableton, GA (US);  
**Daniel Lee**, Monticello, WI (US)  
(73) Assignee: **Sunbeam Products, Inc.**, Boca Raton,  
FL (US)  
(\*\*) Term: **14 Years**

D250,626 S *	12/1978	Scott .....	D7/360
4,145,603 A *	3/1979	Mackay et al. ....	219/387
D441,251 S *	5/2001	Drumm .....	D7/366
D511,643 S *	11/2005	Ball et al. ....	D7/360
D575,579 S *	8/2008	Ball .....	D7/360
D606,804 S *	12/2009	Picozza et al. ....	D7/354
D614,909 S *	5/2010	Lavy .....	D7/355
D617,134 S *	6/2010	Perkins .....	D7/364
D648,981 S *	11/2011	Lavy et al. ....	D7/364
D655,972 S *	3/2012	Foy .....	D7/364
D666,454 S *	9/2012	Lavy et al. ....	D7/364

\* cited by examiner

(21) Appl. No.: **29/423,825**

(22) Filed: **Jun. 5, 2012**

(51) **LOC (9) Cl.** ..... **07-02**

(52) **U.S. Cl.** ..... **D7/354**

(58) **Field of Classification Search** ..... D7/323,  
D7/329-332, 337-339, 346-347, 350.1-350.4,  
D7/353-367, 391-395, 402-406, 538, 542-543;  
99/324-325, 330-332, 337-340, 369, 400-418,  
99/422, 425, 444, 483; 126/37 R, 41 R, 261,  
126/378.1; 206/501-505, 507-508; 219/387,  
219/400, 405, 429-442, 620-624, 725, 730-735;  
220/315, 573.1-573.5, 912; 426/438, 441  
See application file for complete search history.

(56) **References Cited**

U.S. PATENT DOCUMENTS

D97,530 S *	11/1935	Knapp .....	D7/364
D107,453 S *	12/1937	Preston .....	D7/364

*Primary Examiner* — Ricky Pham

(74) *Attorney, Agent, or Firm* — Michael J. Corrigan

(57) **CLAIM**

The ornamental design for the modular slow cooker, as shown and described.

**DESCRIPTION**

FIG. 1 is a front perspective view of the modular slow cooker; FIG. 2 is a front view thereof; FIG. 3 is a rear view thereof; FIG. 4 is right side view thereof; FIG. 5 is a left side view thereof; and, FIG. 6 is a top view thereof.

The portion shown in dashed lines is shown for illustrative purposes only and forms no part of the claimed design.

**1 Claim, 4 Drawing Sheets**

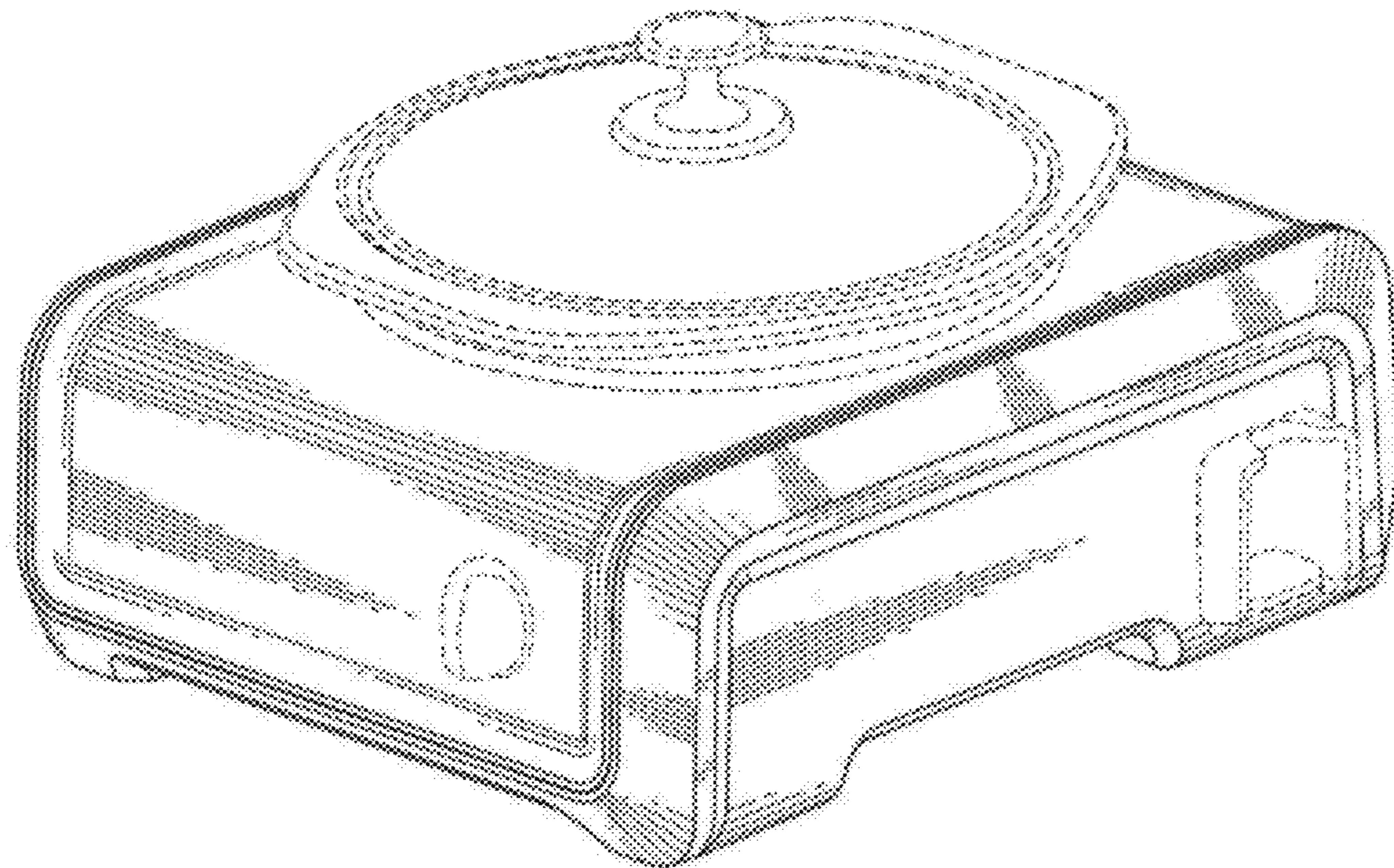


FIG. 1

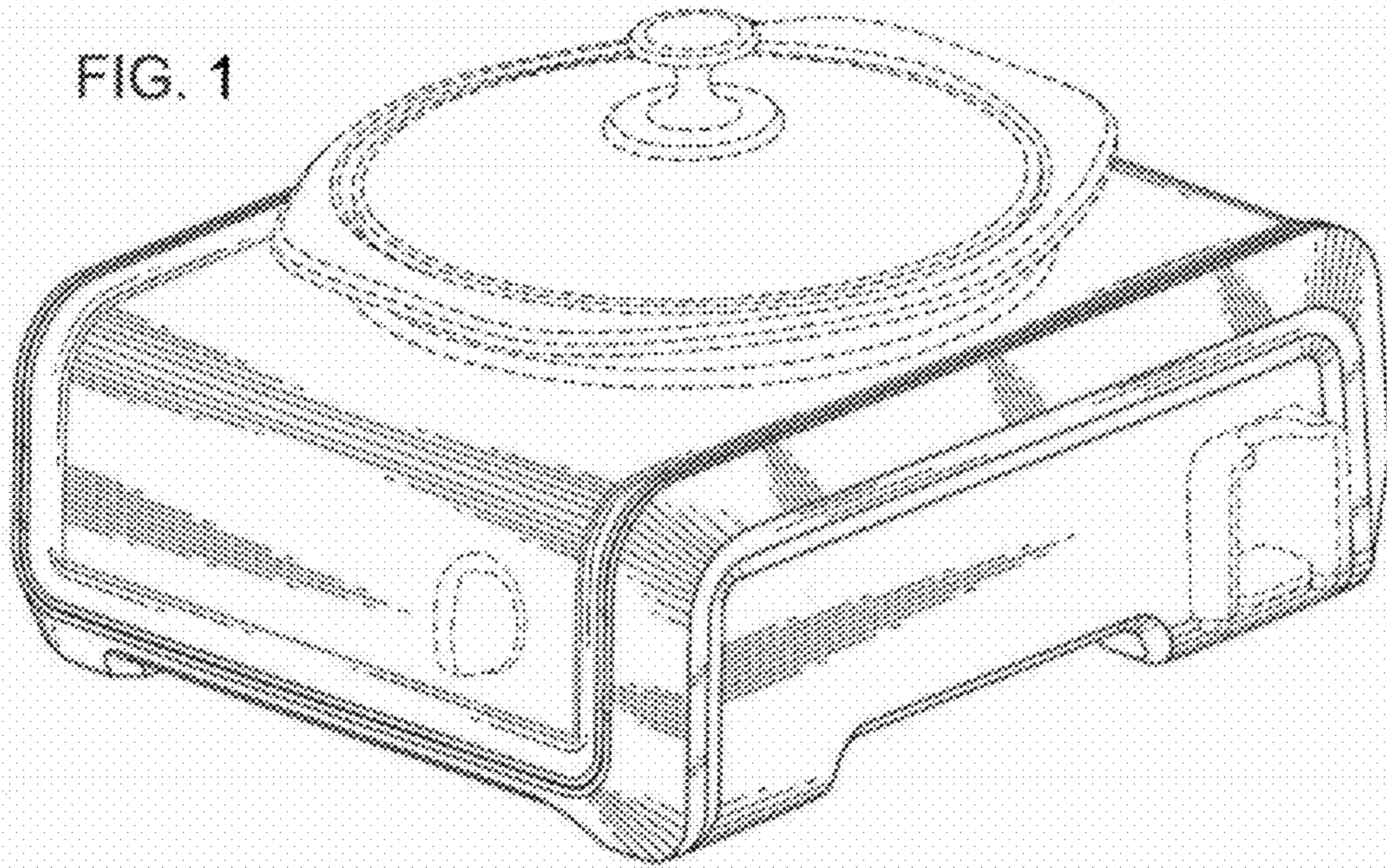


FIG. 2

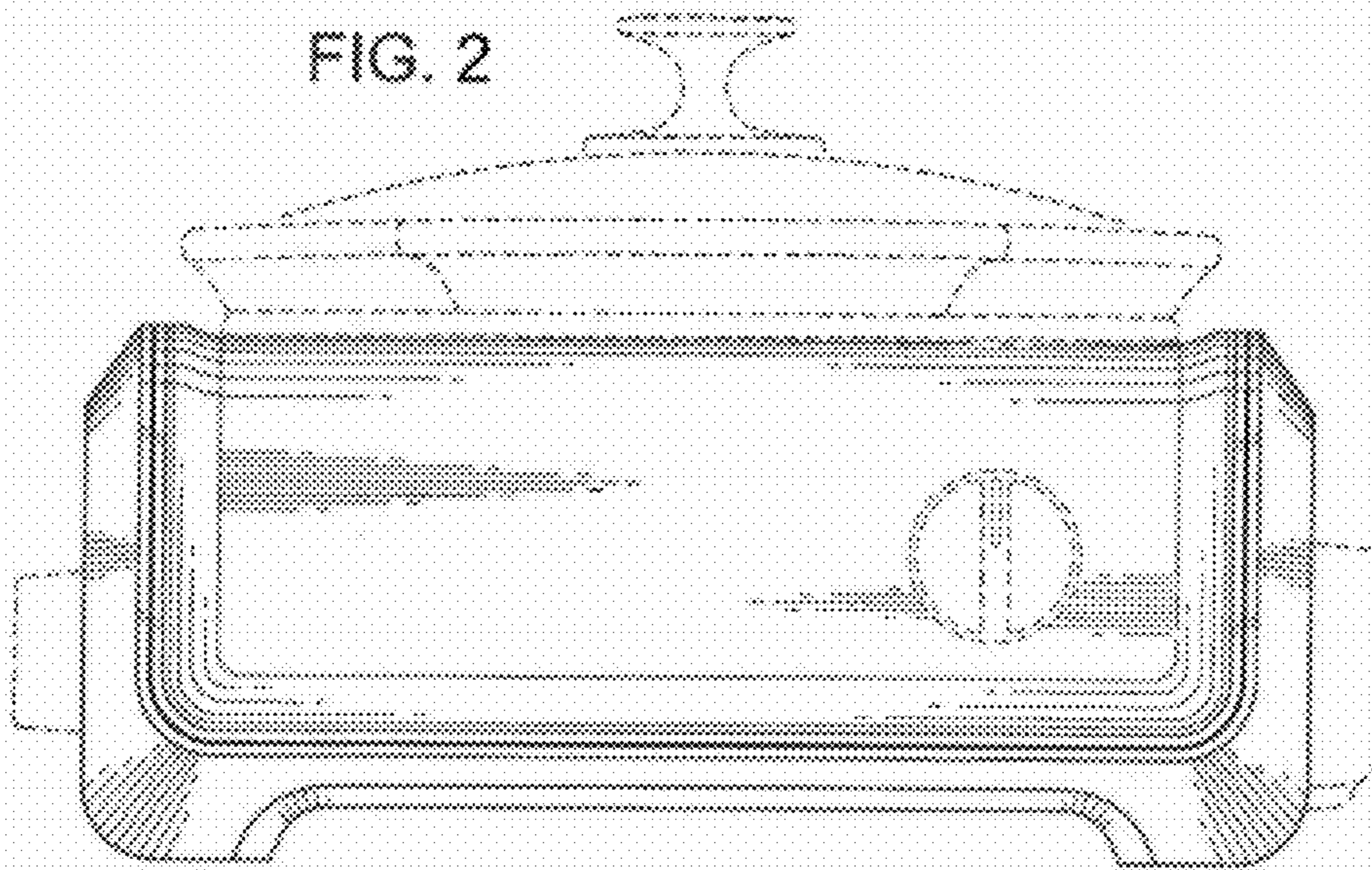


FIG. 3

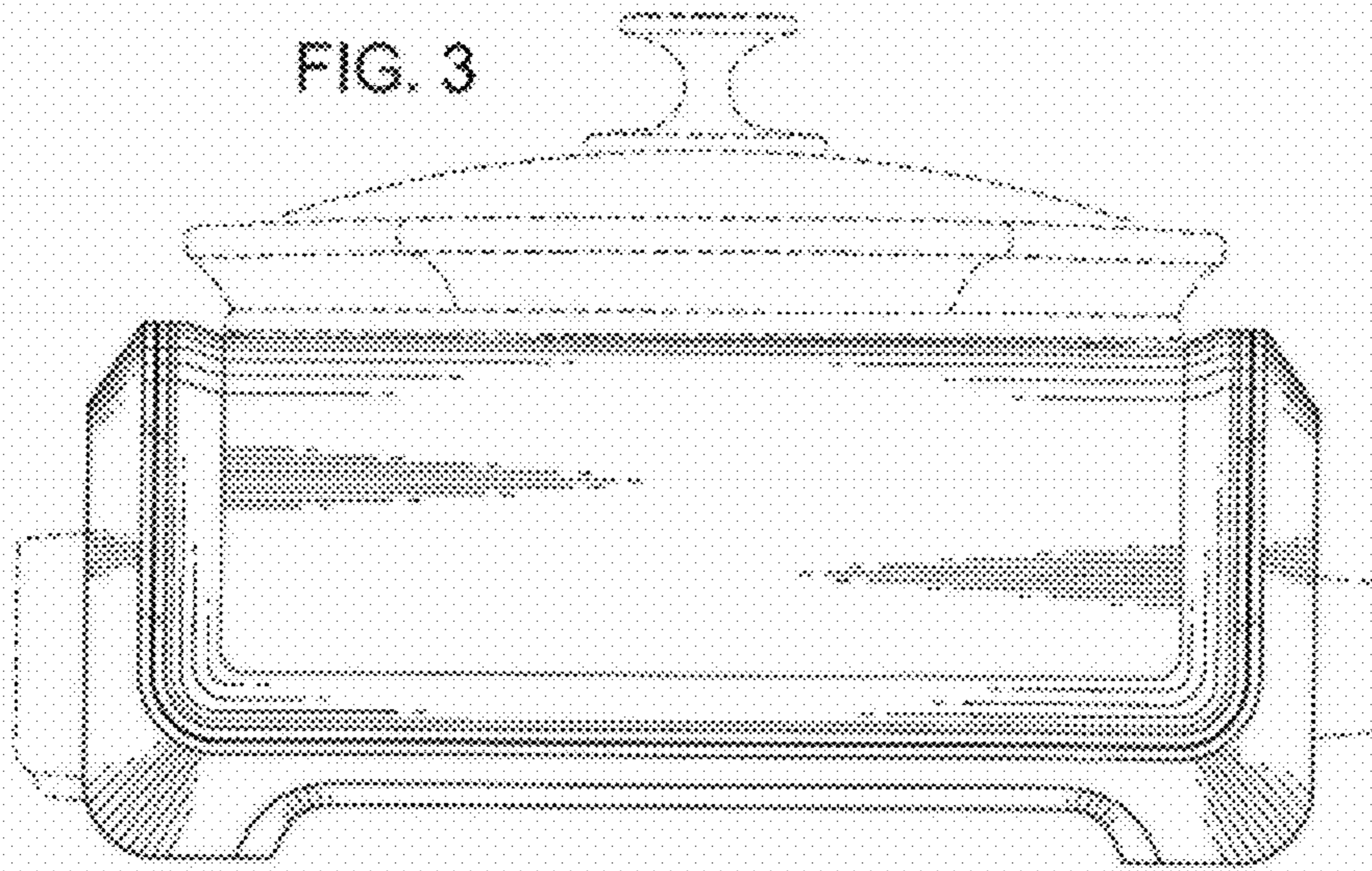


FIG. 4

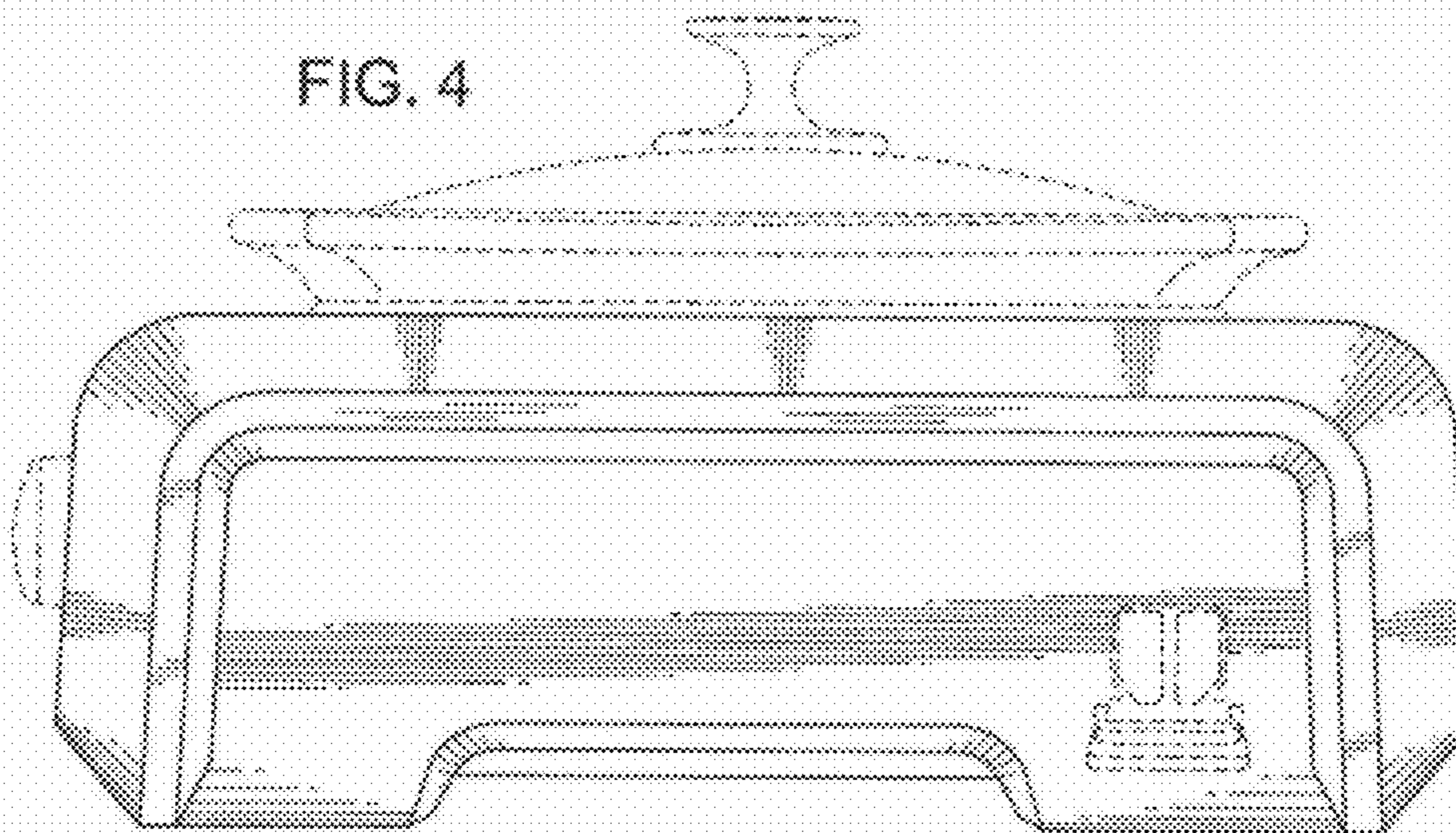


FIG. 5

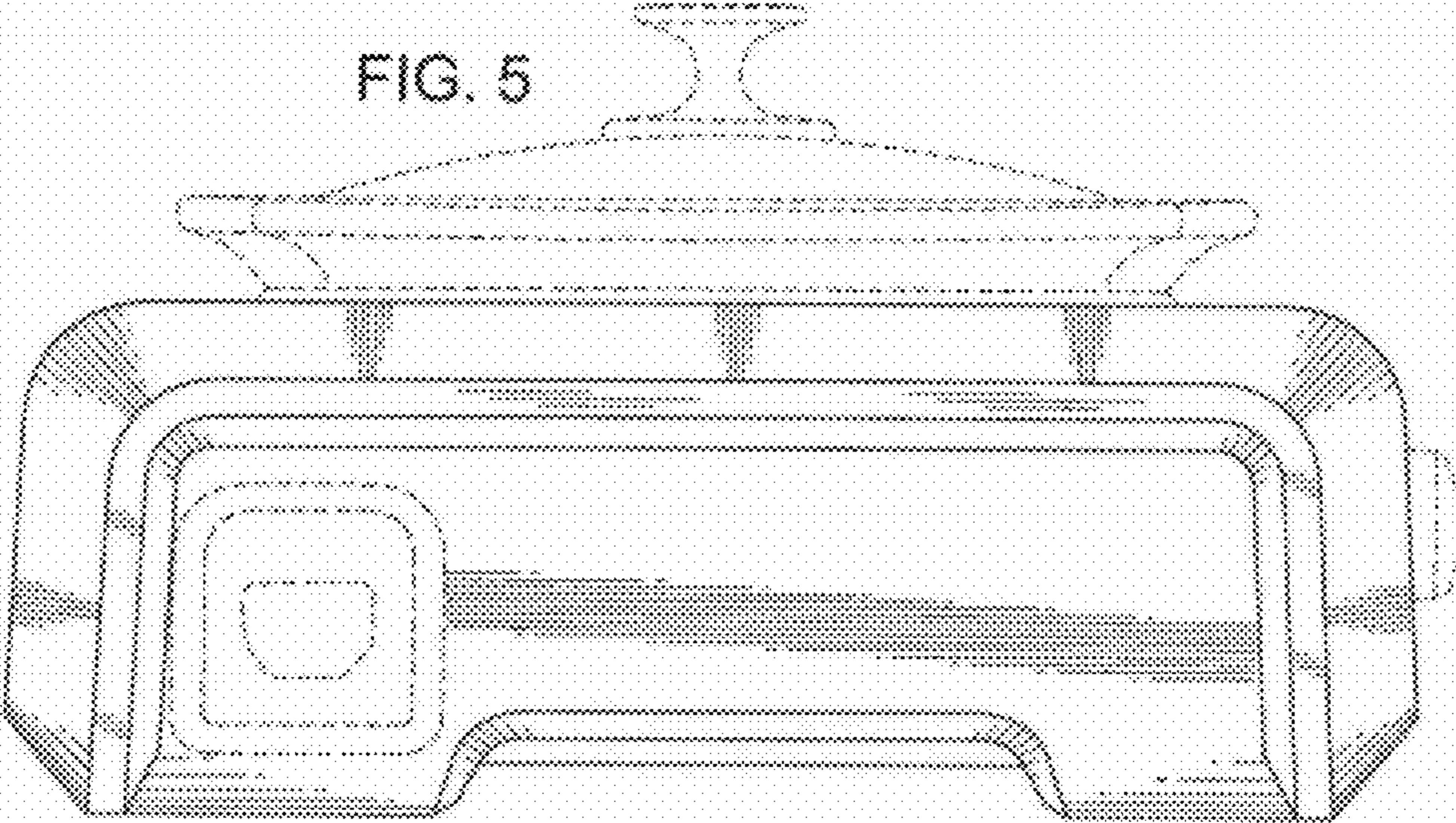


FIG. 6

