



US00D674648S

(12) **United States Design Patent**
Galinski et al.

(10) **Patent No.:** **US D674,648 S**

(45) **Date of Patent:** **** Jan. 22, 2013**

(54) **CAR SEAT COVER**

(75) Inventors: **Andrea Galinski**, Racine, WI (US);
Michelle Dooley, Chicago, IL (US)

(73) Assignee: **Chelsea & Scott, Ltd.**, Lake Bluff, IL (US)

(**) Term: **14 Years**

(21) Appl. No.: **29/411,991**

(22) Filed: **Jan. 27, 2012**

(51) **LOC (9) Cl.** **06-13**

(52) **U.S. Cl.** **D6/611**

(58) **Field of Classification Search** D6/610,
D6/611, 596, 601, 602, 603, 615, 617, 621;
D7/332, 334-337; D12/401-405; 135/87,
135/88.01, 95; 150/165-167, 158, 154; 280/770;
296/136.01, 136.1, 136.11
See application file for complete search history.

(56) **References Cited**

U.S. PATENT DOCUMENTS

2,202,065	A *	5/1940	Peebles	297/229
D251,341	S *	3/1979	Bodrero	D6/611
4,676,376	A *	6/1987	Keiswetter	206/494
D316,649	S *	5/1991	Swanner	D3/270
D336,585	S *	6/1993	Gibson et al.	D6/611
D343,325	S *	1/1994	Gibson et al.	D6/611
D387,946	S *	12/1997	Hippen	D7/309
D500,623	S	1/2005	Jones		

D537,289	S *	2/2007	Eskandry	D6/611
7,431,375	B1 *	10/2008	Julius	296/95.1
D601,376	S	10/2009	Siklosi et al.		
D611,751	S *	3/2010	Siklosi	D6/611

* cited by examiner

Primary Examiner — Katrina A Betton

(74) *Attorney, Agent, or Firm* — Cardinal Law Group

(57) **CLAIM**

The ornamental design for a car seat cover, as shown and described.

DESCRIPTION

FIG. 1 is a front perspective view of a car seat cover showing my new design, the car seat cover in FIG. 1 being installed on a car seat;

FIG. 2 is a front perspective view of the car seat cover;

FIG. 3 is a front view of the of the car seat cover;

FIG. 4 is a rear view of the of the car seat cover;

FIG. 5 is a right side view of the car seat cover;

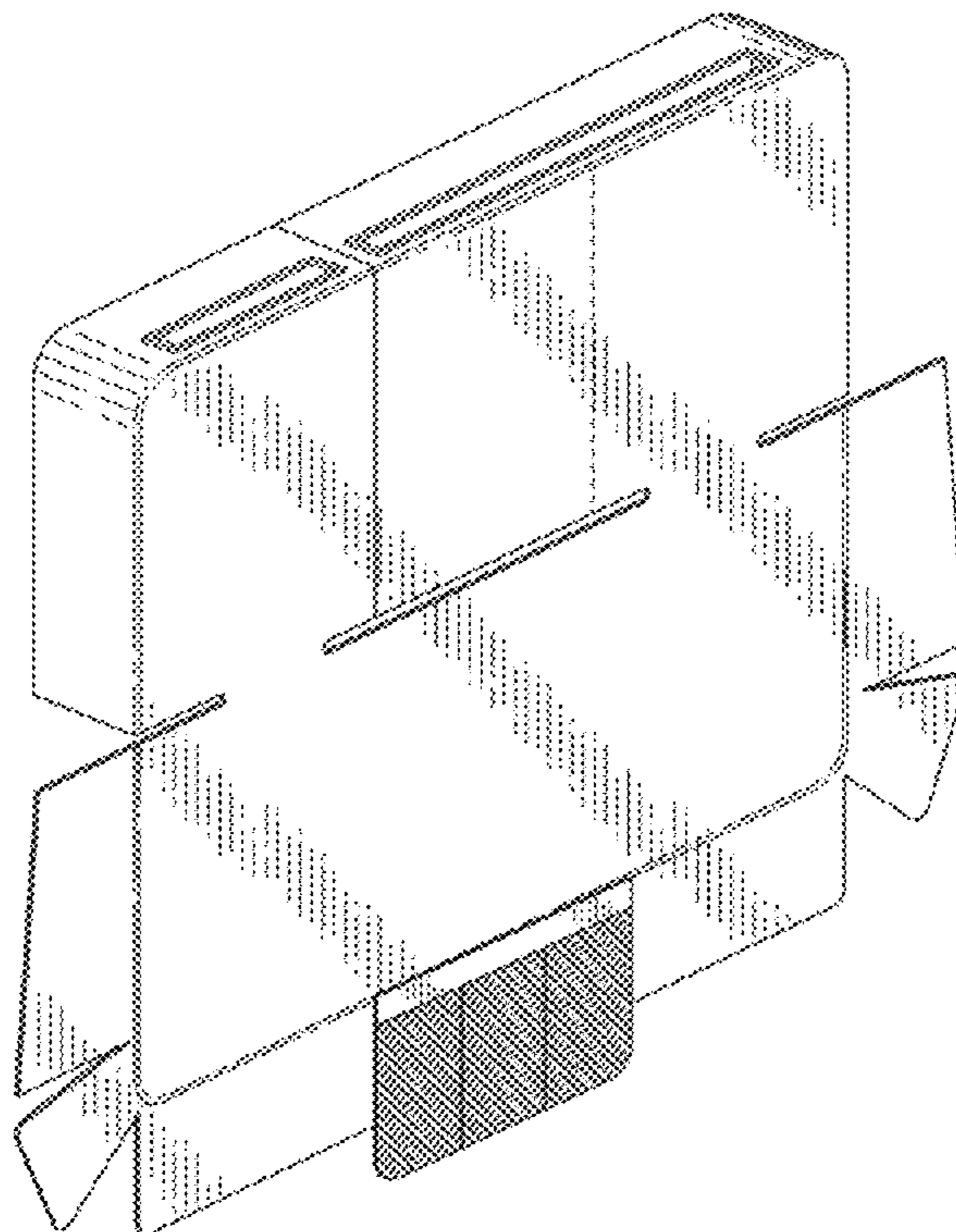
FIG. 6 is a left side view of the car seat cover;

FIG. 7 is a top view of the car seat cover; and,

FIG. 8 is a bottom view of the car seat cover.

The broken lines in FIG. 1 showing headrests and seatbelts are for the purpose of illustrating environmental structure and form no part of the claimed design. The dashed line in the drawings on the upright portion of the car seat cover represents stitching, and forms part of the claimed design.

1 Claim, 6 Drawing Sheets



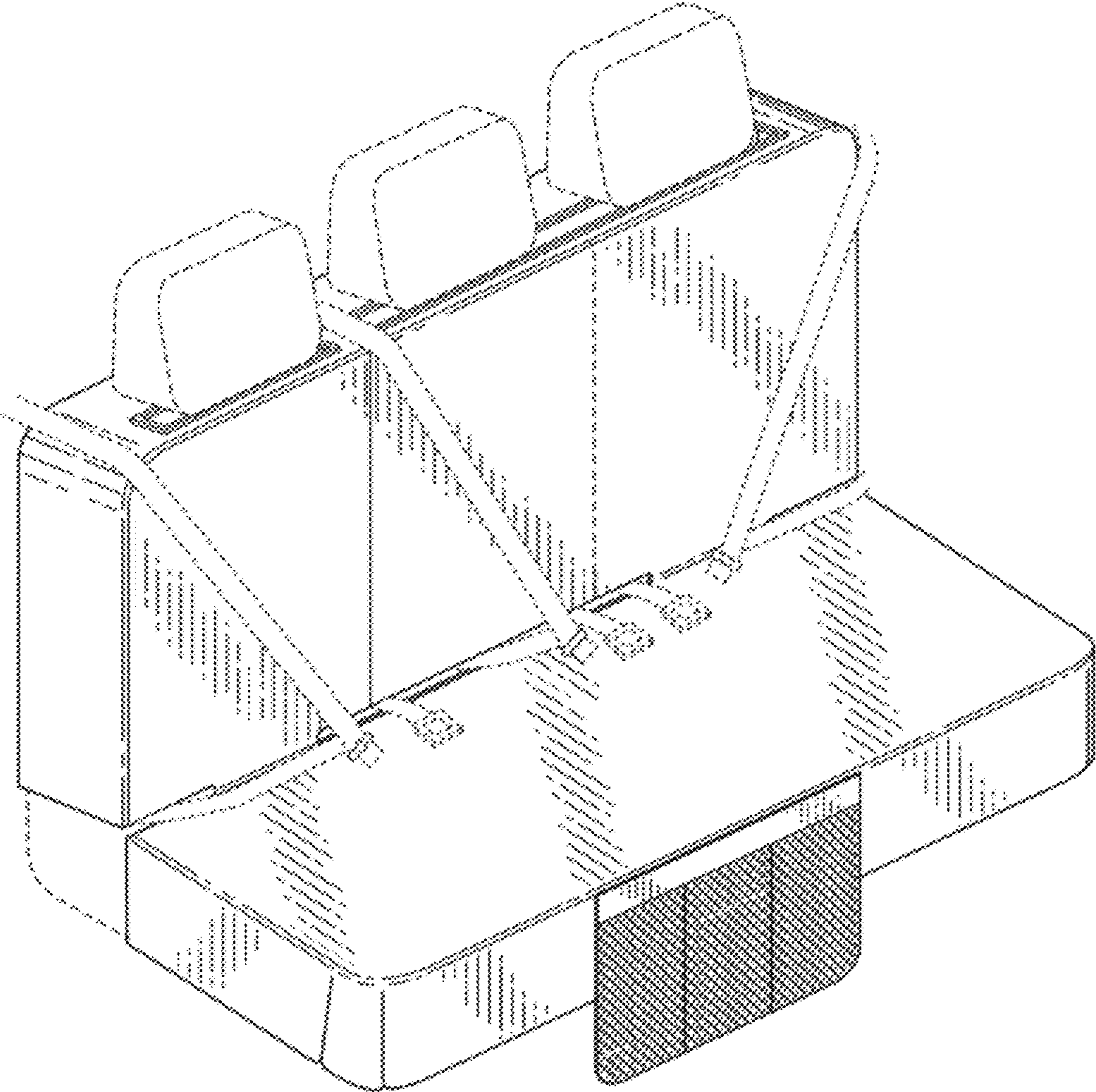


FIG. 1

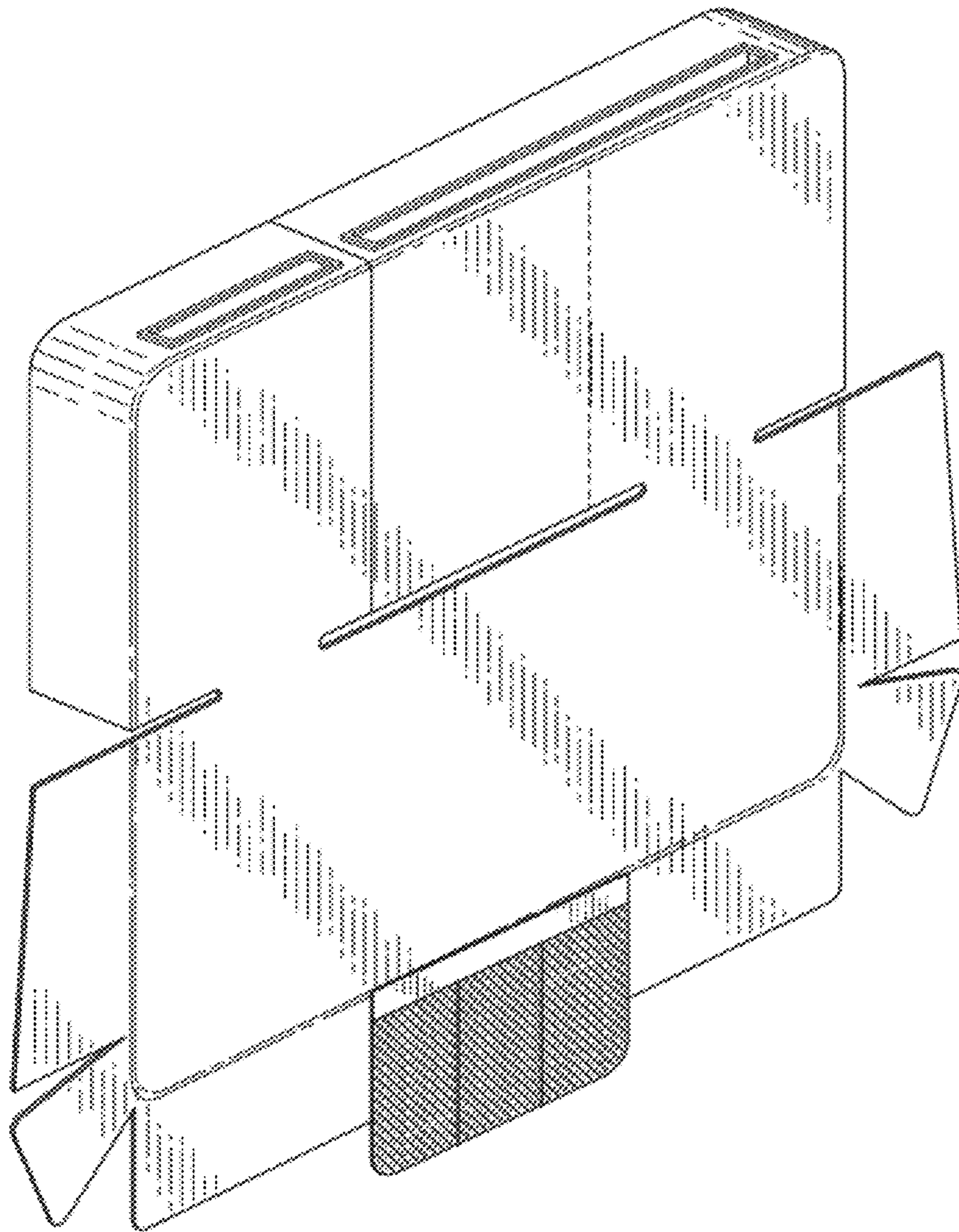


FIG. 2

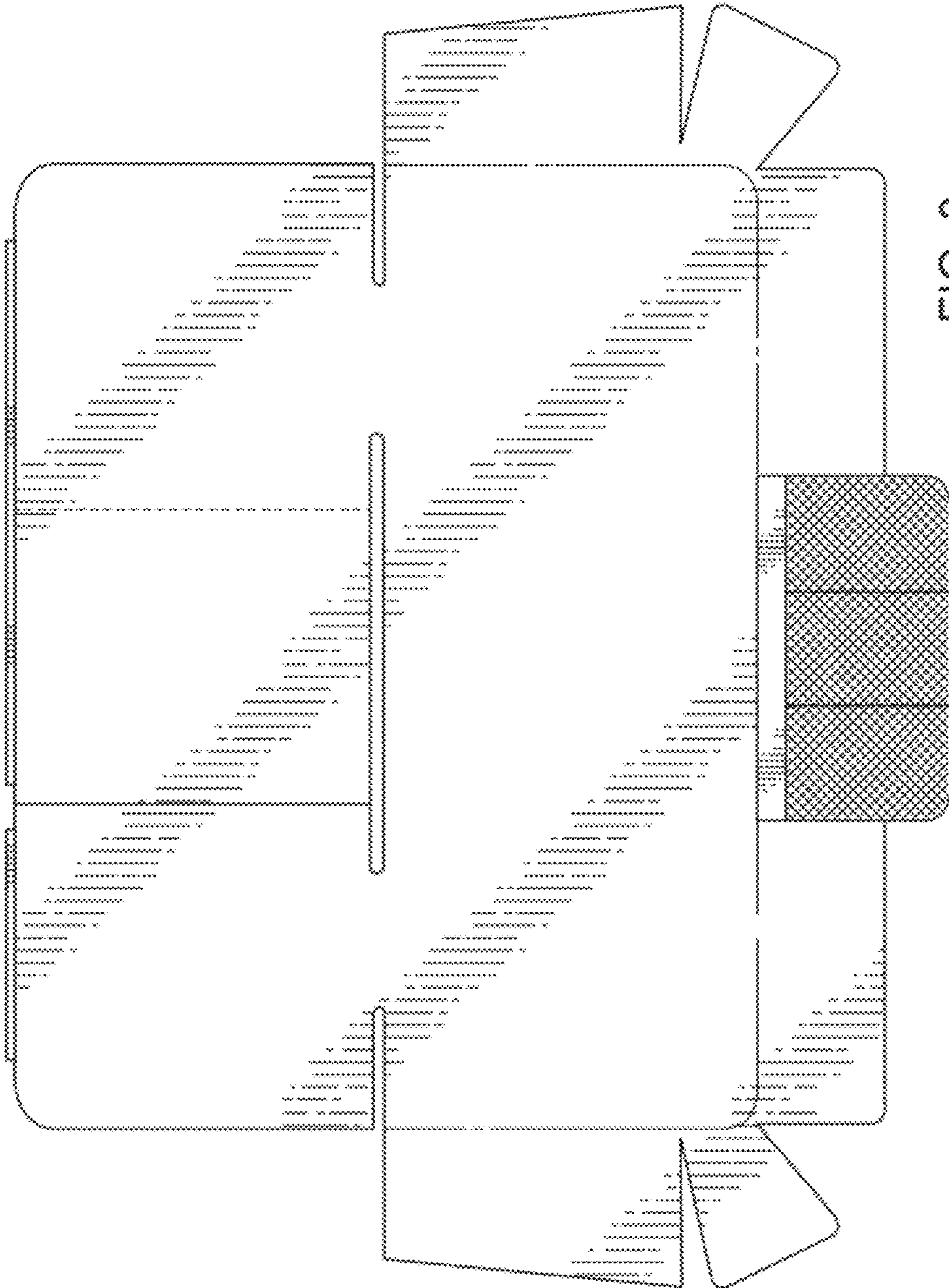


FIG. 3

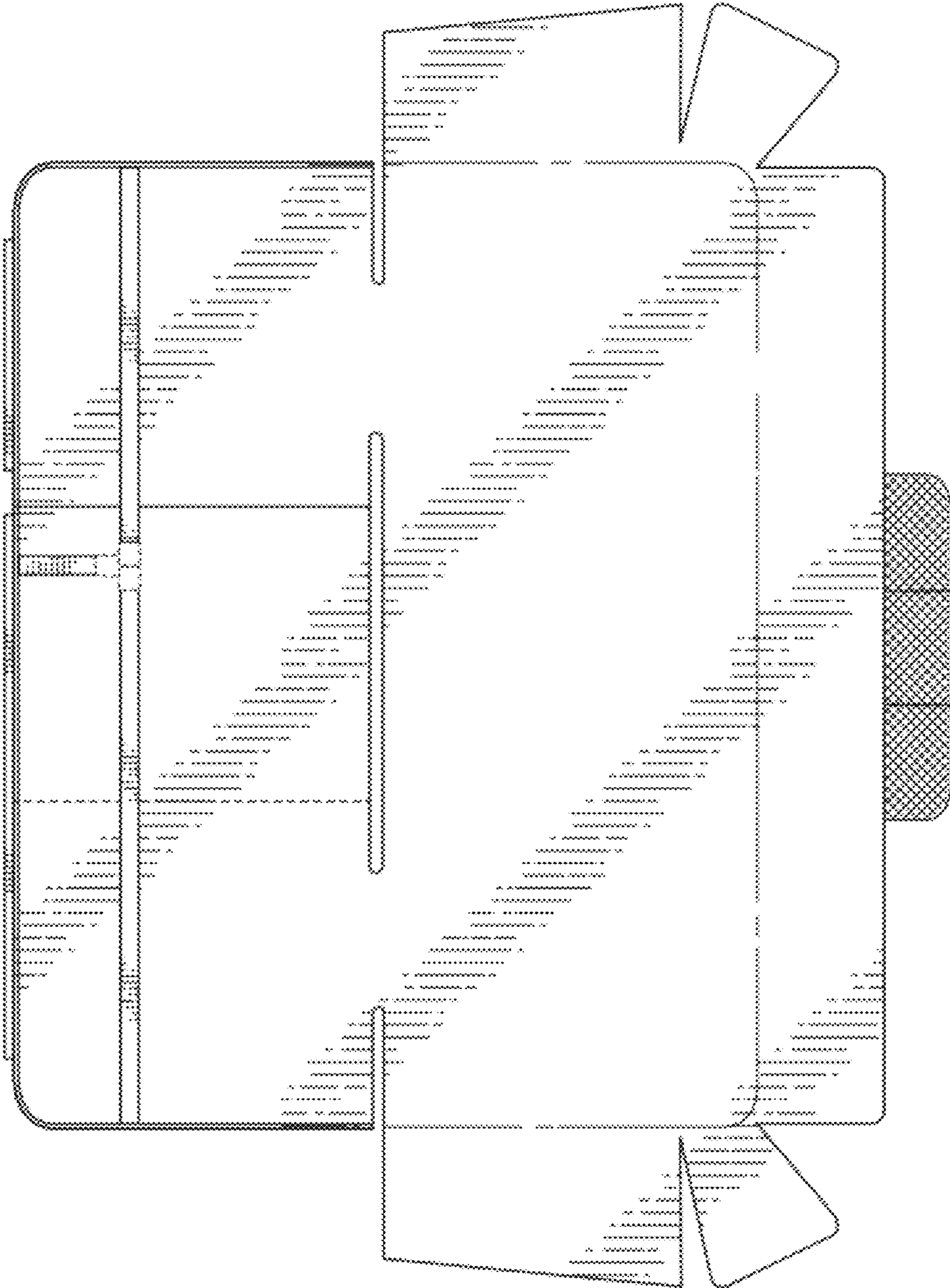


FIG. 4

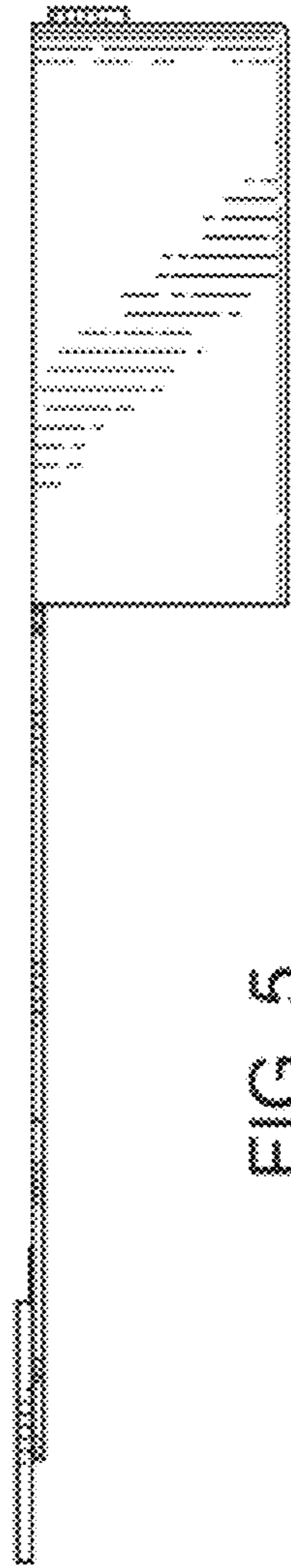


FIG. 5

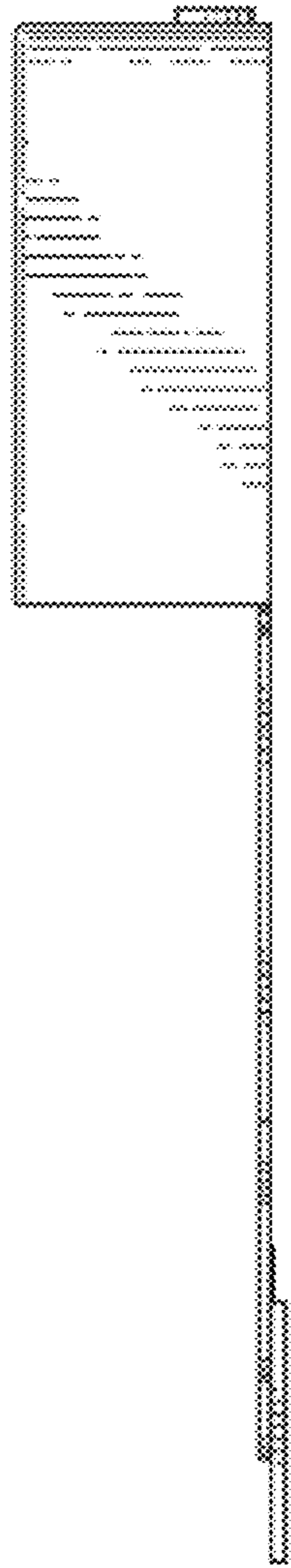


FIG. 6

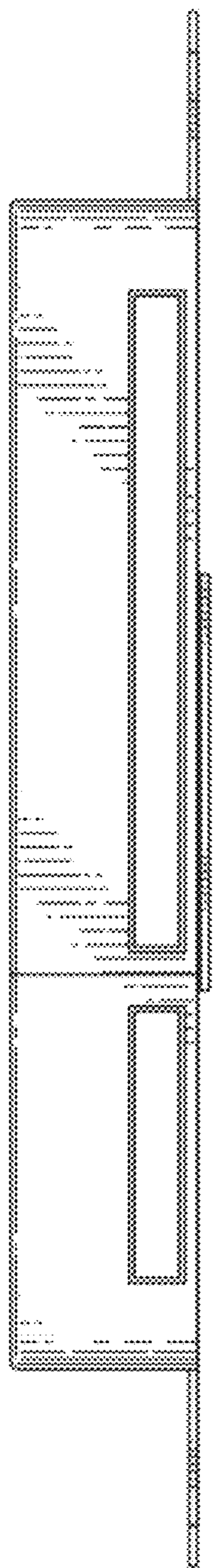


FIG. 7

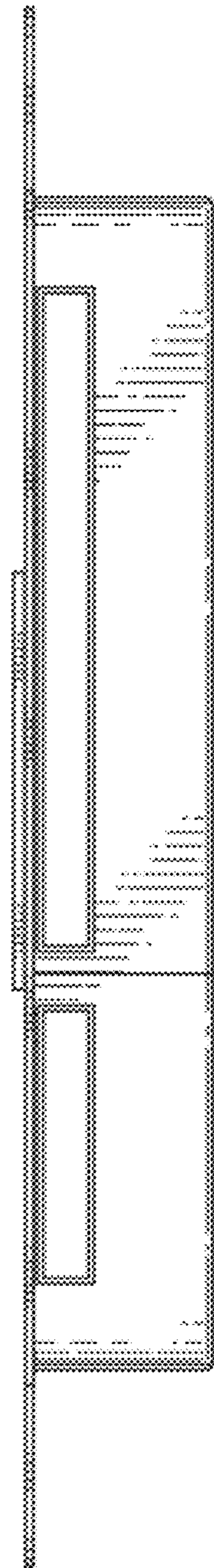


FIG. 8