



US00D674642S

(12) **United States Design Patent**
Richardson

(10) **Patent No.:** **US D674,642 S**
(45) **Date of Patent:** **** Jan. 22, 2013**

(54) **PRAYER PAD**

(76) Inventor: **Marvin D. Richardson**, Timmons ville,
SC (US)

(**) Term: **14 Years**

(21) Appl. No.: **29/397,923**

(22) Filed: **Jul. 22, 2011**

(51) **LOC (9) Cl.** **06-09**

(52) **U.S. Cl.** **D6/601**

(58) **Field of Classification Search** D6/368,
D6/595-601, 604; 5/417, 420, 630, 632-634,
5/636, 637, 644, 645, 652-655, 655.3, 655.9,
5/722; D21/803; D24/183; 297/219.1, 284.5,
297/378, 423.39, 452.21, 452.22, 452.26;
267/117

See application file for complete search history.

(56) **References Cited**

U.S. PATENT DOCUMENTS

D79,587 S	10/1929	Forst	
1,795,304 A *	3/1931	Howard	267/117
2,052,973 A	9/1936	Furtzaig	
D182,647 S *	4/1958	Cox	D6/601
3,323,151 A *	6/1967	Lerman	5/722
3,499,502 A	3/1970	Rosander	
3,659,297 A *	5/1972	Schutz	5/655
D258,187 S *	2/1981	Robbins	D6/596
D277,719 S	2/1985	Spaneas	
D306,543 S *	3/1990	Pestuglicci et al.	D6/601
4,937,897 A	7/1990	Barnabie	
D312,741 S *	12/1990	Treadwell	D6/601
5,288,132 A *	2/1994	Vaughn	297/452.22
5,386,603 A *	2/1995	Drust	5/417
5,491,851 A	2/1996	Alonso	
D377,574 S	1/1997	Mades	
6,212,711 B1	4/2001	Gilmour	

(Continued)

Primary Examiner — Mary Ann Calabrese

(74) *Attorney, Agent, or Firm* — Smith Moore Leatherwood
LLP; Thomas W. Epting

(57) **CLAIM**

The ornamental design for a prayer pad, as shown and described.

DESCRIPTION

FIG. 1 is a front perspective view of a prayer pad with my design, in an open configuration, the broken line drawing being for illustrative purposes only and forming no part of the claimed design;

FIG. 2 is a top plan view of the prayer pad of FIG. 1, the broken line drawing being for illustrative purposes only and forming no part of the claimed design;

FIG. 3 is a bottom plan view of the prayer pad of FIG. 1;

FIG. 4 is a left-side elevational view of the prayer pad of FIG. 1 with the securing tab in an alternate position, the broken line drawing being for illustrative purposes only and forming no part of the claimed design;

FIG. 5 is a front elevational view of the prayer pad of FIG. 1 with the securing tab in an alternate position, the broken line drawing being for illustrative purposes only and forming no part of the claimed design;

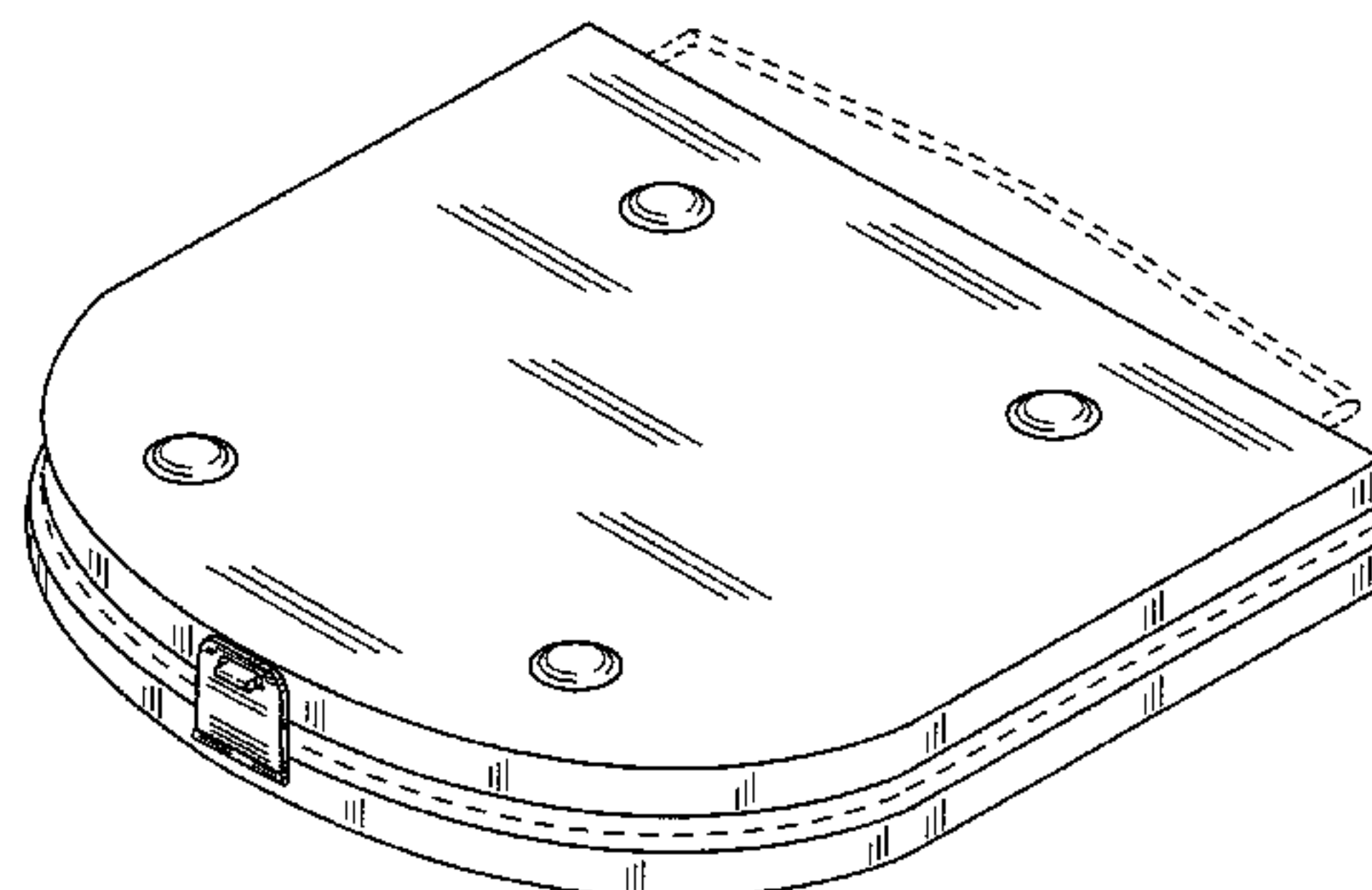
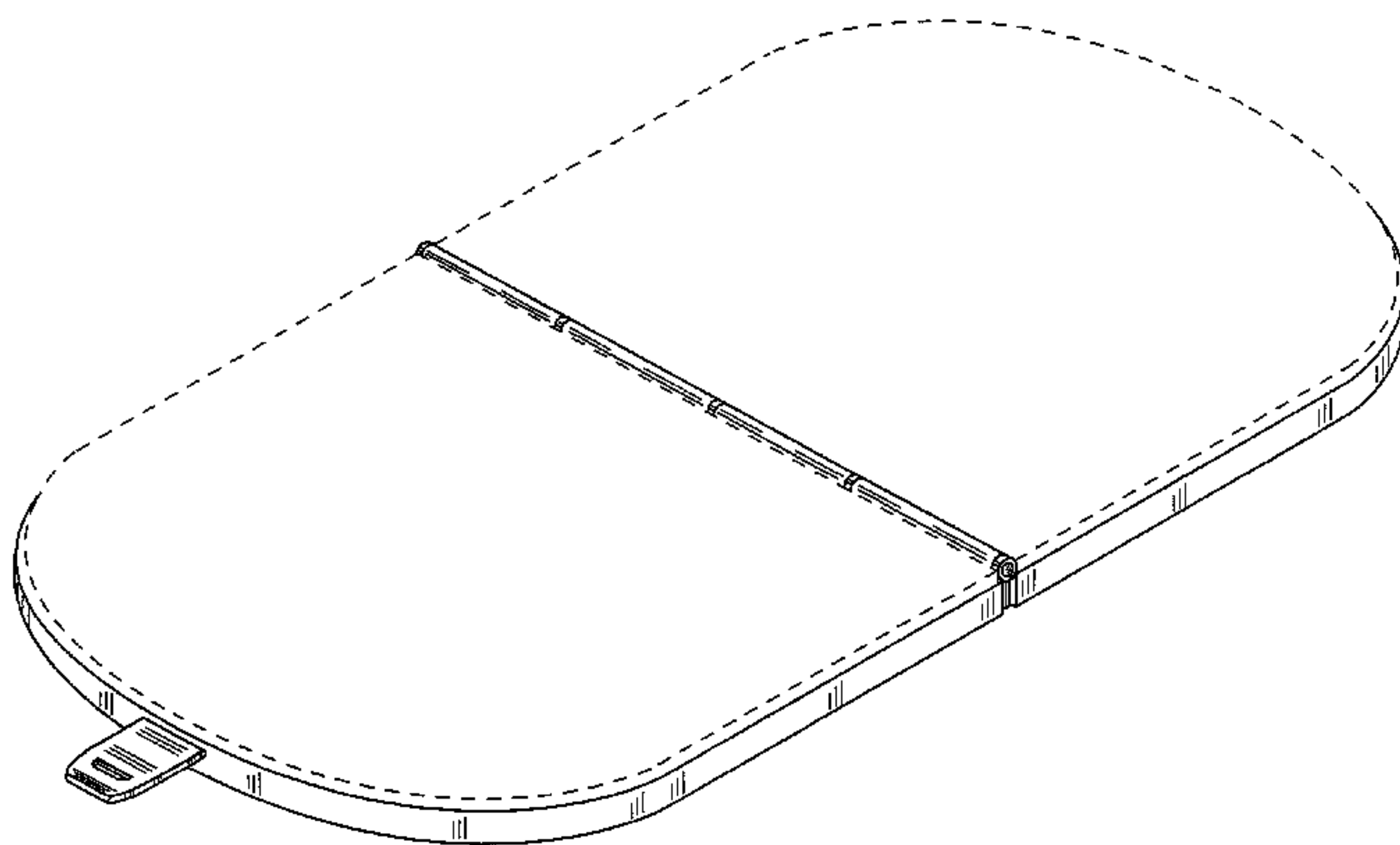
FIG. 6 is a rear elevational view of the prayer pad of FIG. 1, the broken line drawing being for illustrative purposes only and forming no part of the claimed design;

FIG. 7 is a front perspective view of the prayer pad of FIG. 1, in a closed configuration, the broken line drawing being for illustrative purposes only and forming no part of the claimed design;

FIG. 8 is a top plan view of the prayer pad of FIG. 7, in a closed configuration, the broken line drawing being for illustrative purposes only and forming no part of the claimed design; and,

FIG. 9 is a rear elevational view of the prayer pad of FIG. 7, in a closed configuration, the broken line drawing being for illustrative purposes only and forming no part of the claimed design.

1 Claim, 6 Drawing Sheets



US D674,642 S

Page 2

U.S. PATENT DOCUMENTS

6,230,352	B1 *	5/2001	Kasem	5/737	7,114,776	B1 *	10/2006	Wiltberger	297/284.5
6,272,704	B1	8/2001	Cutler		D533,667	S *	12/2006	Roleder	D24/183
6,578,217	B1	6/2003	Roberson		D538,094	S	3/2007	Quicoy	
6,810,541	B1	11/2004	Woods		7,188,381	B2	3/2007	Lombert	
D509,693	S *	9/2005	Wiltberger	D6/601	7,246,391	B2	7/2007	Brown	
6,951,035	B2	10/2005	Kinchen et al.						

* cited by examiner

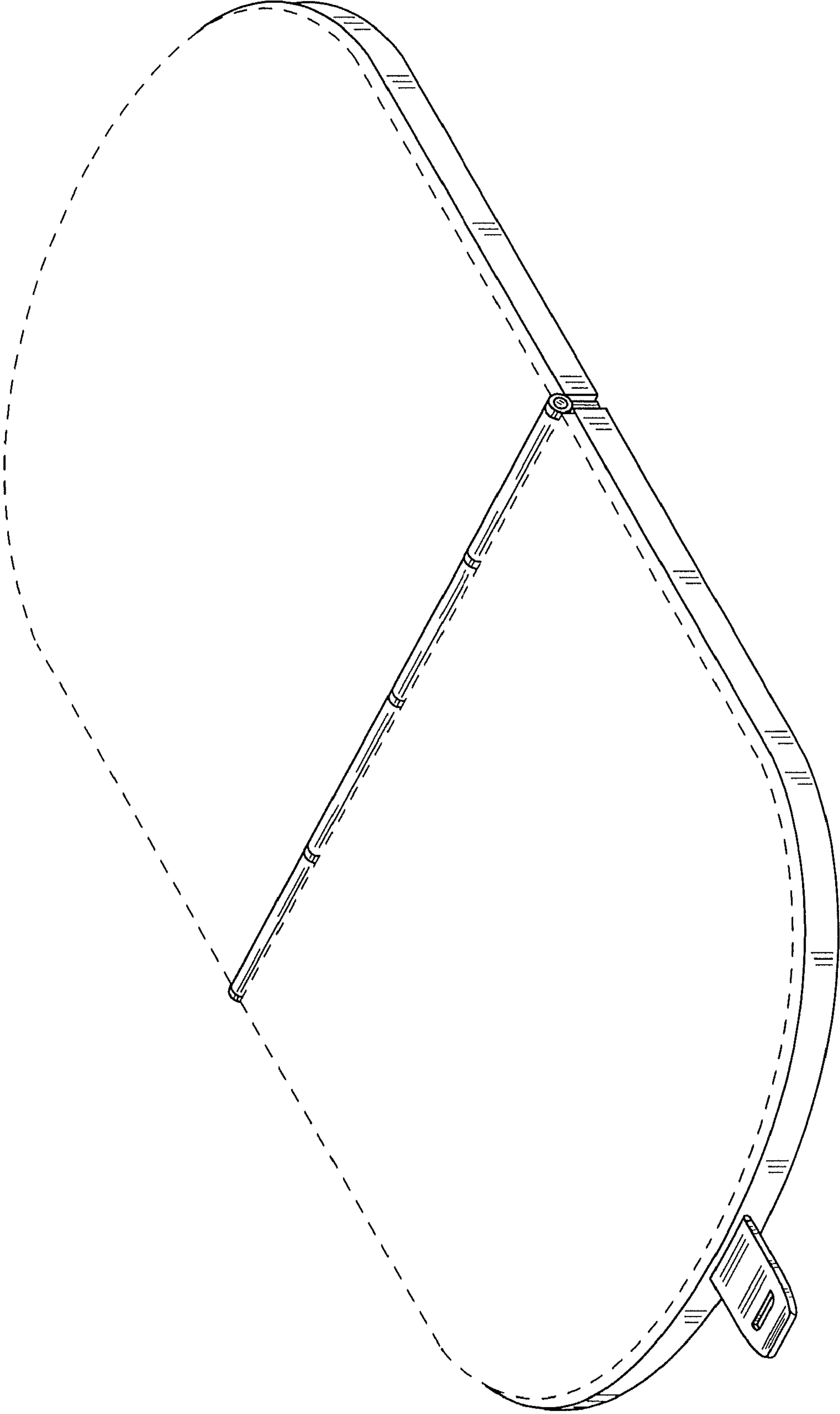


FIG. 1

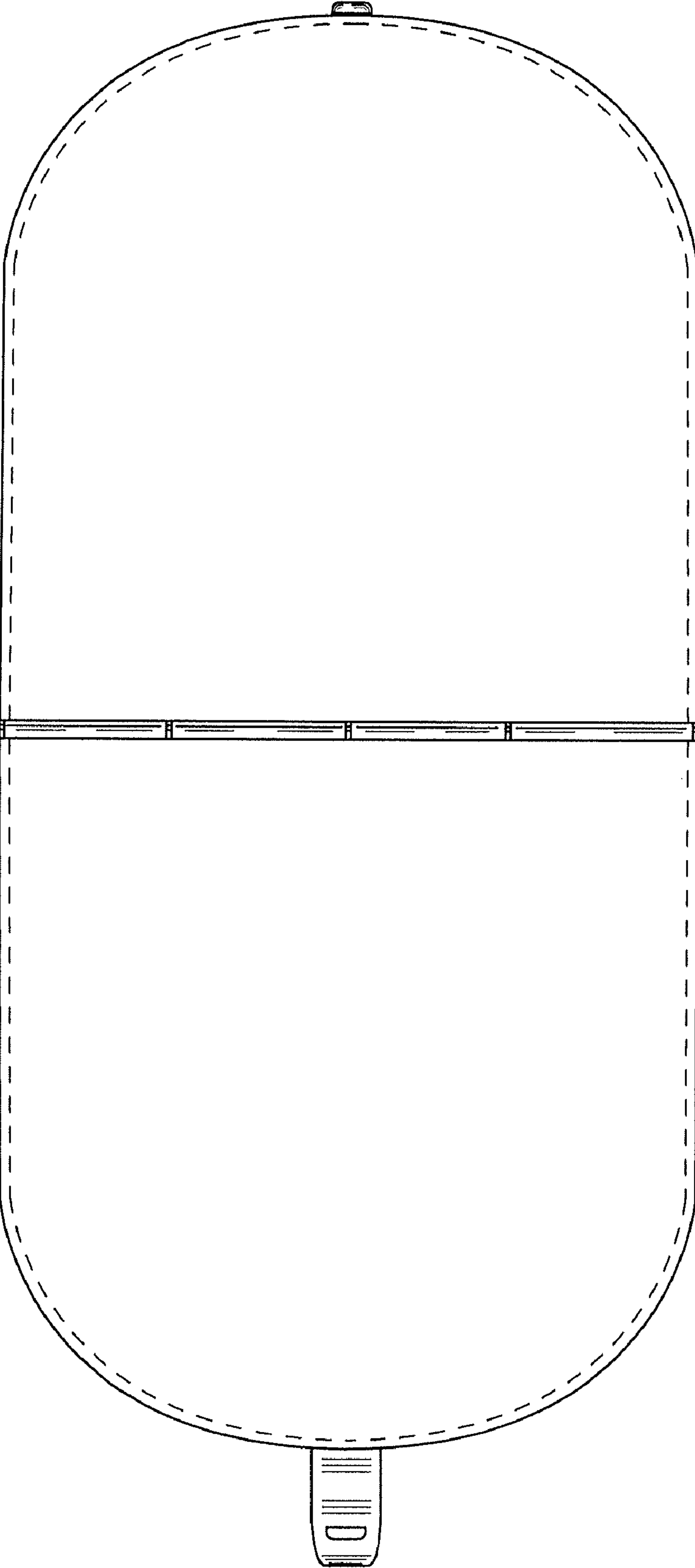


FIG. 2

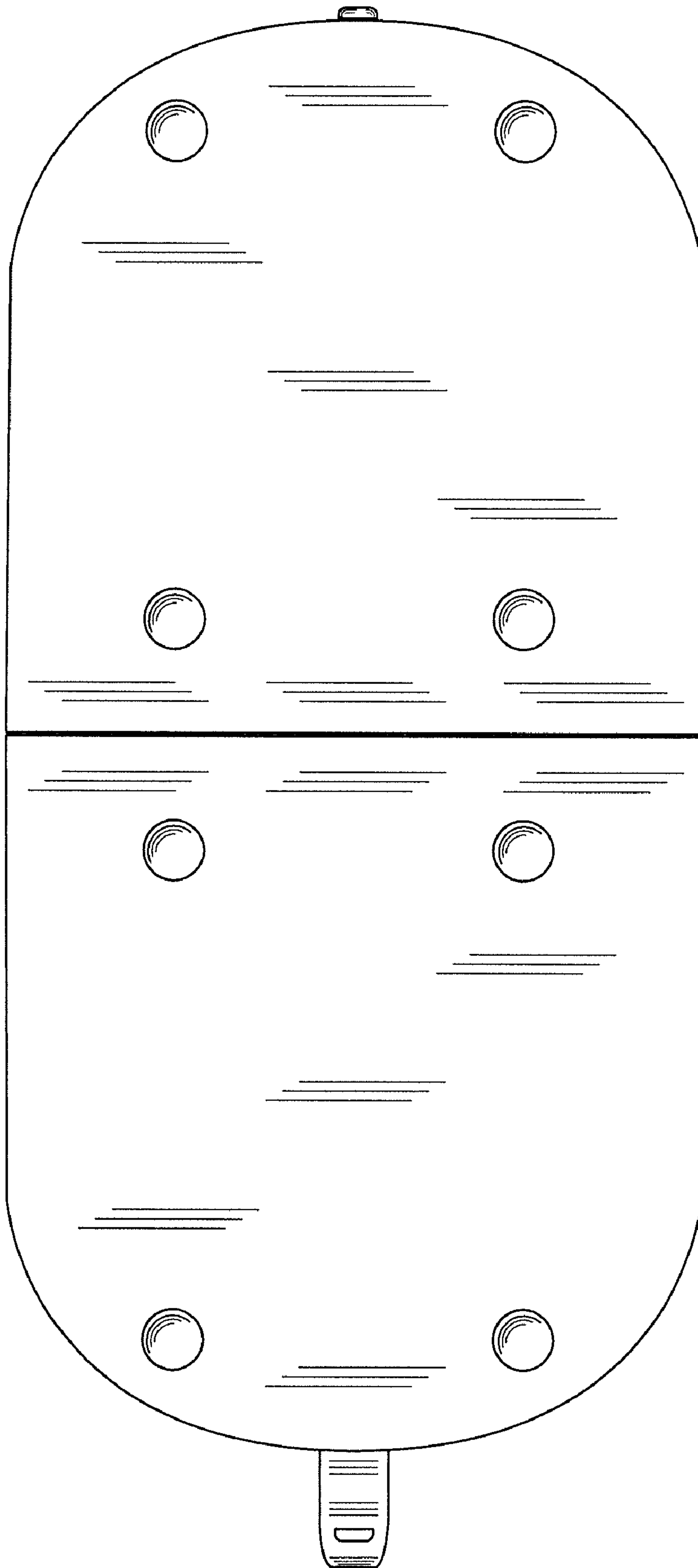


FIG. 3

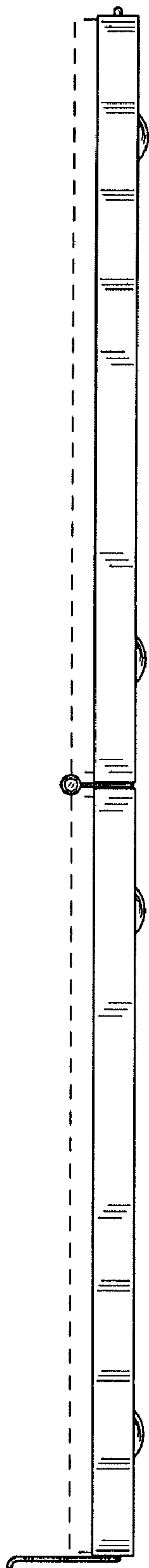


FIG. 4

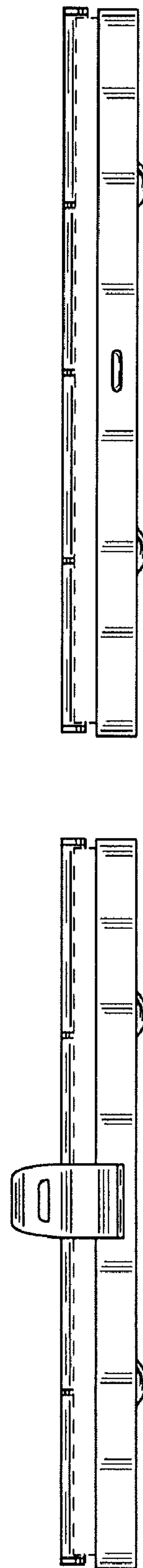


FIG. 5

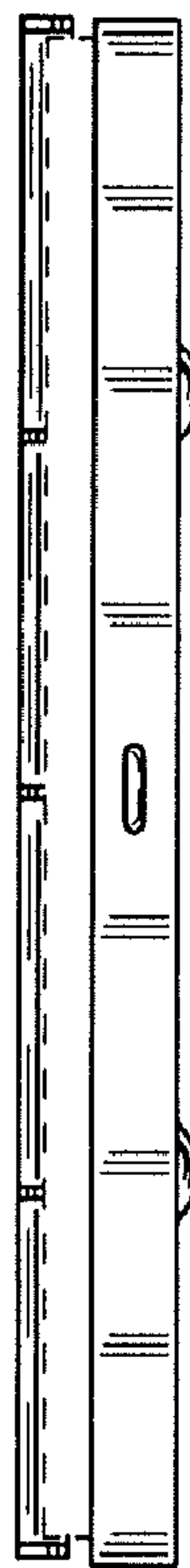


FIG. 6

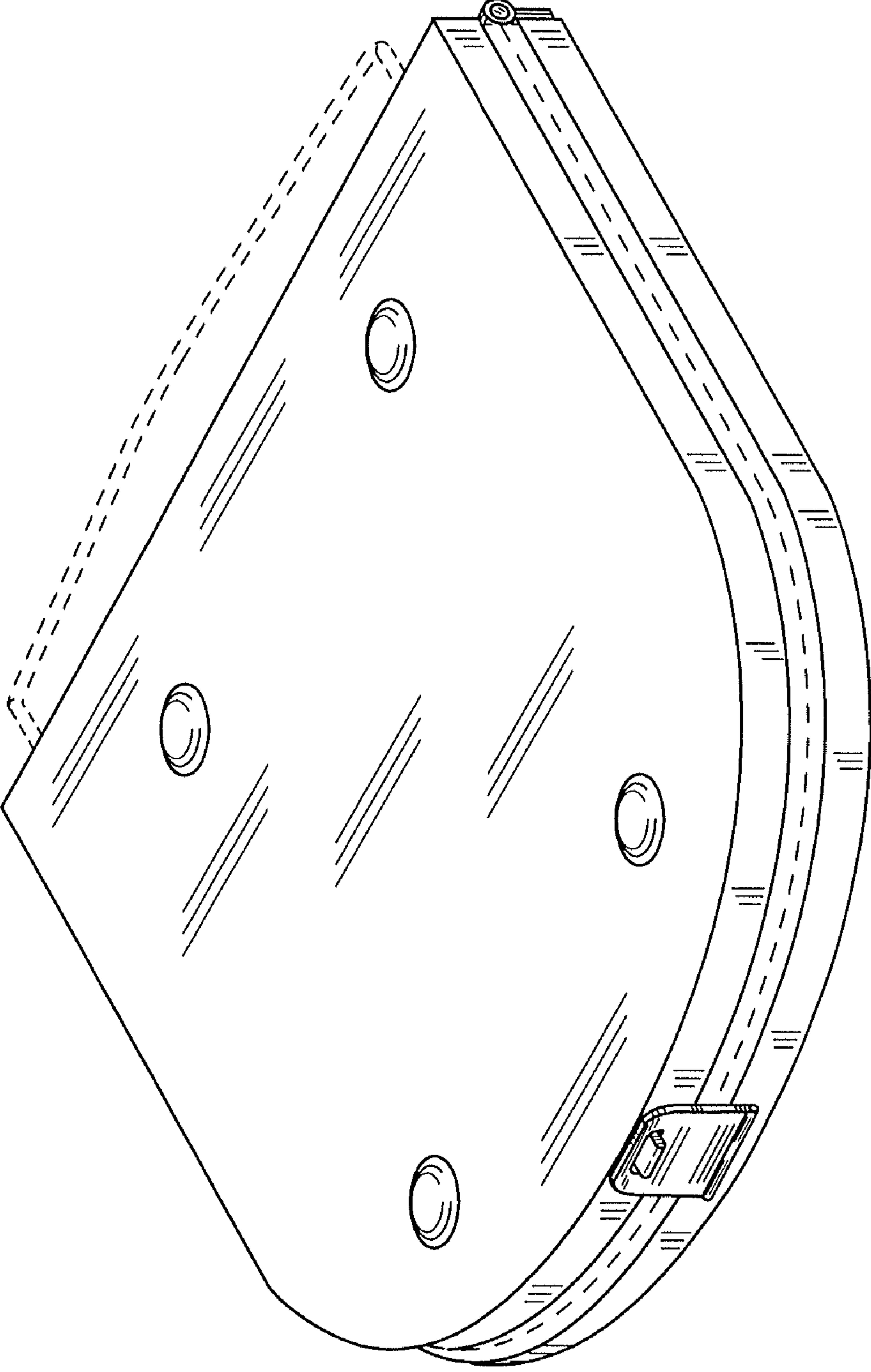


FIG. 7

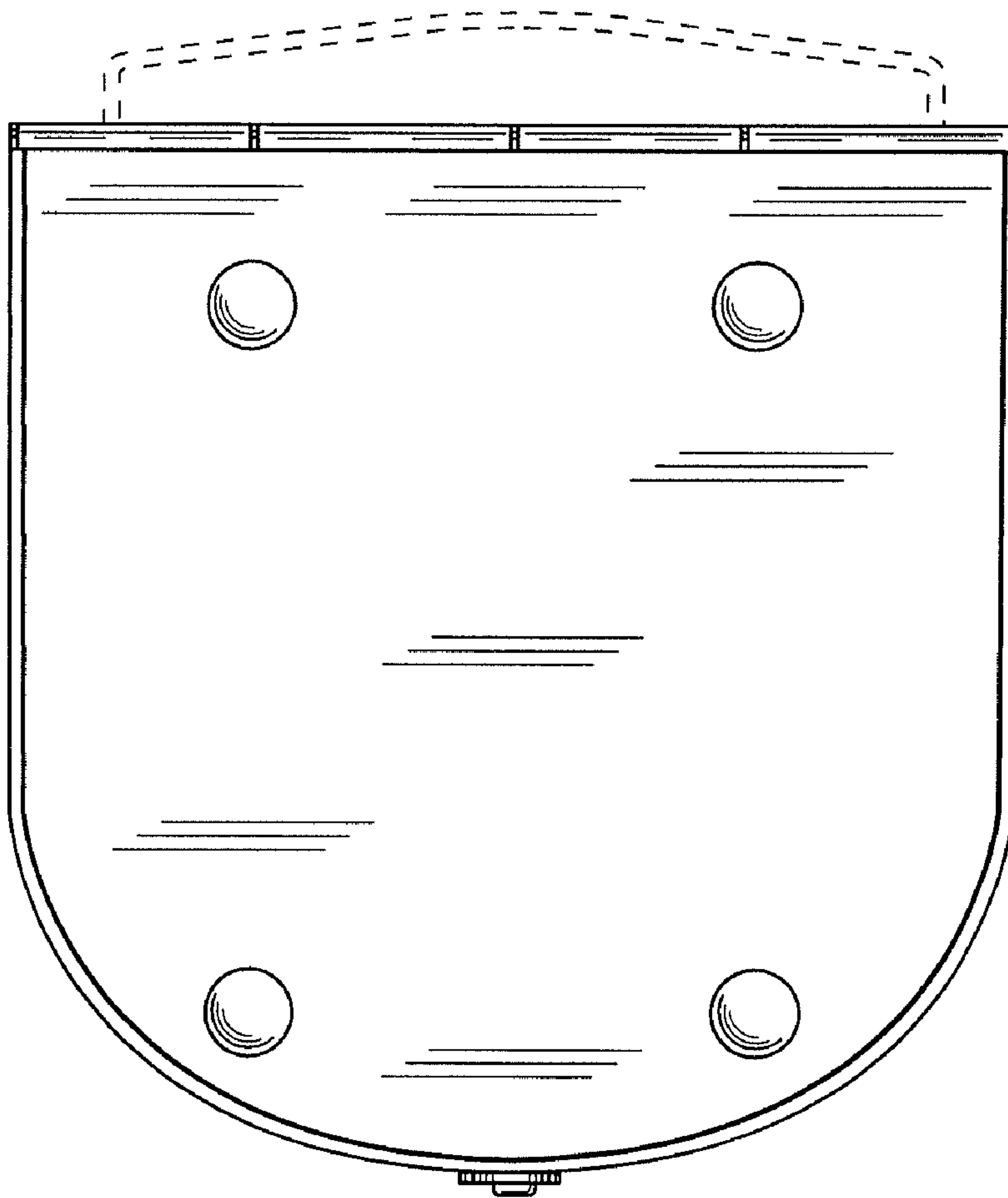


FIG. 8

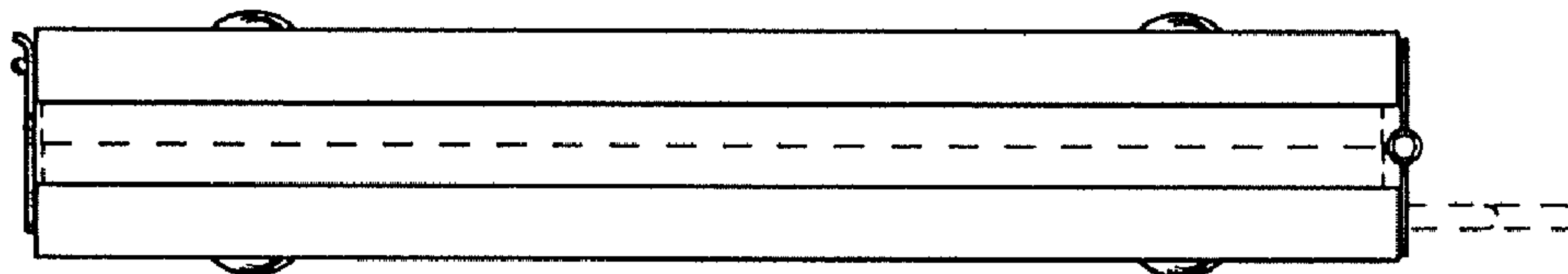


FIG. 9