

US00D674641S

(12) **United States Design Patent**
Daniel

(10) **Patent No.:** **US D674,641 S**
(45) **Date of Patent:** **** Jan. 22, 2013**

(54) **DOORMAT**

(76) Inventor: **Isaac S. Daniel**, Miramar, FL (US)

(**) Term: **14 Years**

(21) Appl. No.: **29/414,772**

(22) Filed: **Mar. 2, 2012**

(51) **LOC (9) Cl.** **06-11**

(52) **U.S. Cl.** **D6/582**

(58) **Field of Classification Search** D5/30,
D5/47, 49, 58, 61-63, 99, 53, 57; D6/582,
D6/583, 588, 591, 592, 613, 615, 617, 619,
D6/620, 621; D12/203; D19/1, 5, 8; 4/581,
4/582, 583; 5/417, 420; 15/215, 238; 52/660;
428/85; D32/57

See application file for complete search history.

(56) **References Cited**

U.S. PATENT DOCUMENTS

137,547	A *	4/1873	Gould	280/169
D45,640	S *	4/1914	Levy	D19/1
D55,605	S *	7/1920	Green	D12/203
D83,113	S *	1/1931	Lepke	D6/582
2,057,162	A *	10/1936	Richey	428/77
3,237,904	A *	3/1966	Abruzese	248/508

4,590,714	A *	5/1986	Walker	250/585
D379,129	S *	5/1997	Yost et al.	D6/596
5,966,757	A *	10/1999	Sullivan	5/417
D417,117	S *	11/1999	Gerk	D6/611
6,014,779	A *	1/2000	Lindholm	4/583
6,353,943	B1 *	3/2002	Stevens	4/582
D478,452	S *	8/2003	Kafka et al.	D6/583
D544,913	S *	6/2007	Hodsdon	D19/1
7,498,072	B2 *	3/2009	Hurwitz	428/71
D615,792	S *	5/2010	Leigh	D6/582
D655,556	S *	3/2012	Isom-Morris	D6/596
2004/0237193	A1 *	12/2004	Cloutier et al.	5/419

* cited by examiner

Primary Examiner — Karen S Acker

(74) *Attorney, Agent, or Firm* — Carol N. Green, Esq.

(57) **CLAIM**

The ornamental design for a doormat, as shown and described.

DESCRIPTION

FIG. 1 is a top perspective of a doormat.

FIG. 2 is a bottom perspective of a doormat.

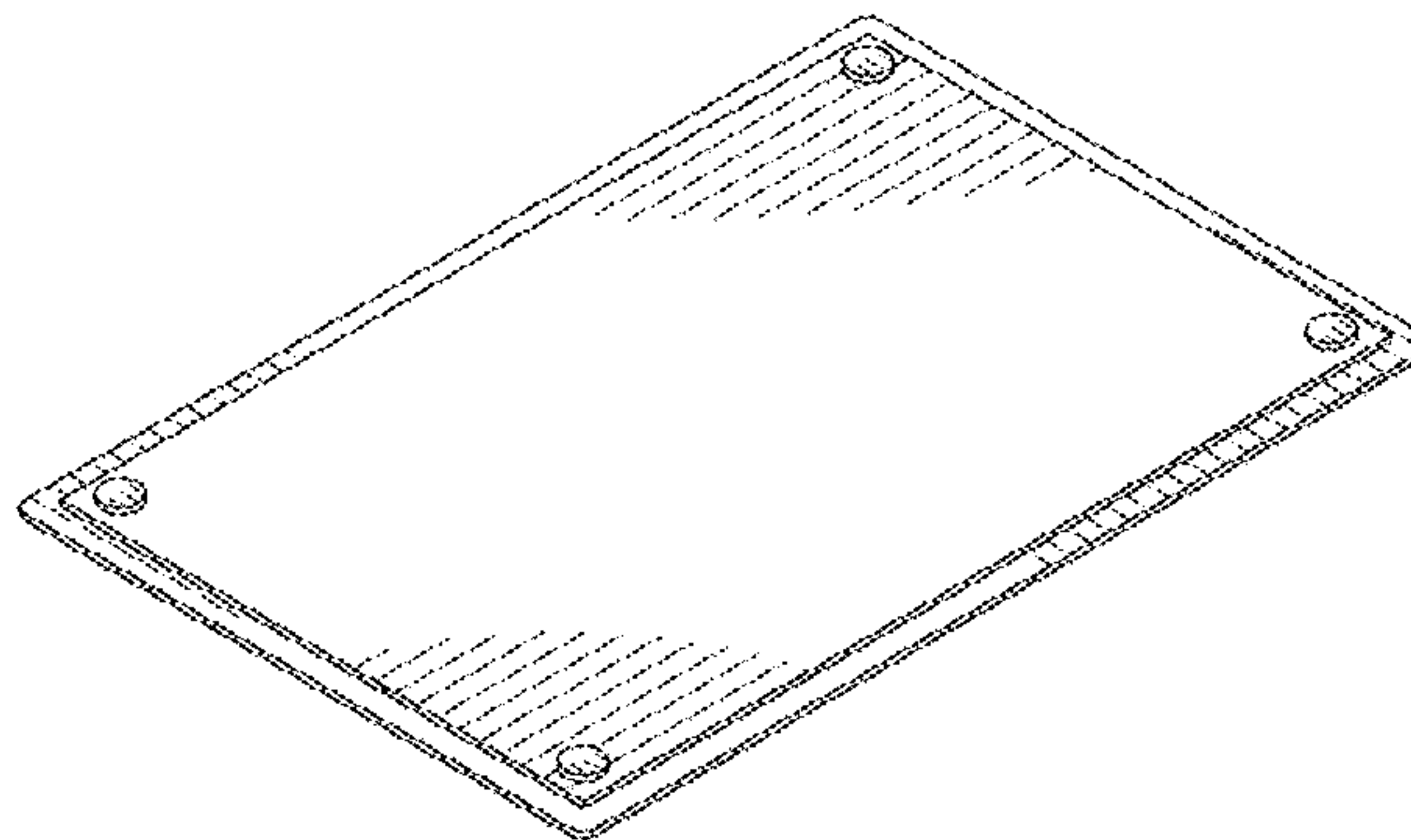
FIG. 3 is a top plan of a doormat.

FIG. 4 is a bottom plan of a doormat.

FIG. 5 is a front elevation of a doormat; and,

FIG. 6 is a side elevation of a doormat.

1 Claim, 5 Drawing Sheets



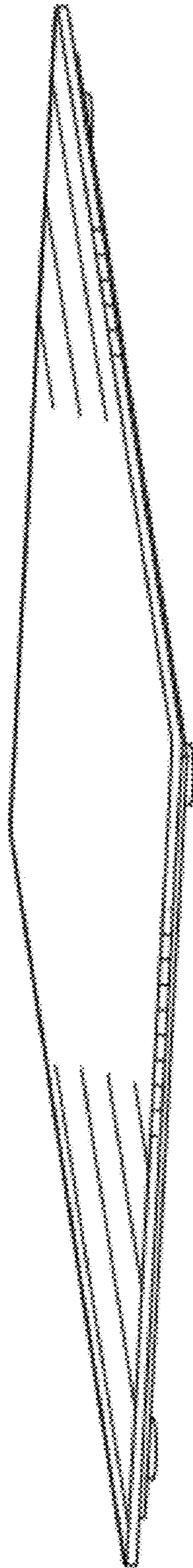


FIG. 1

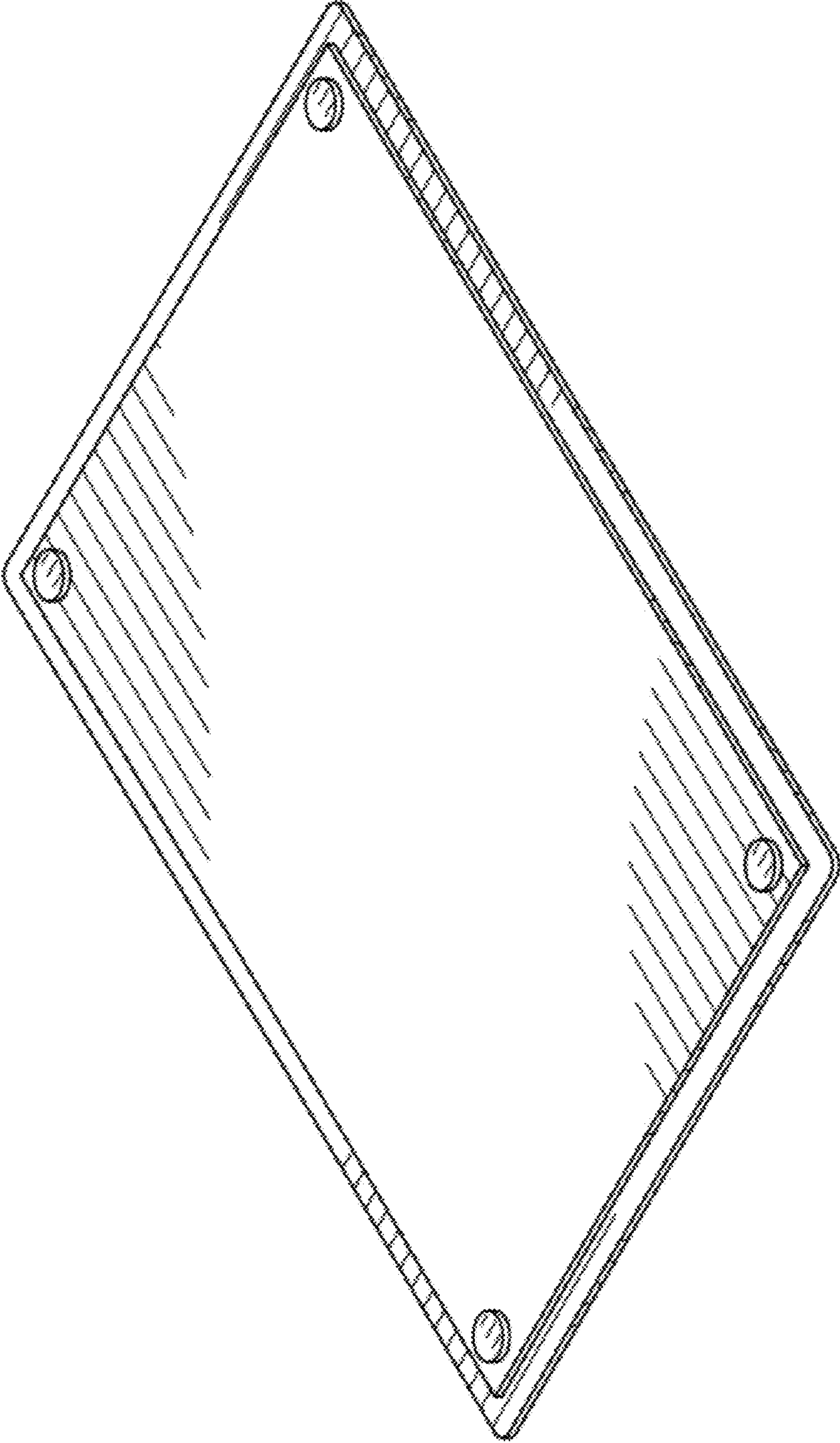


FIG. 2

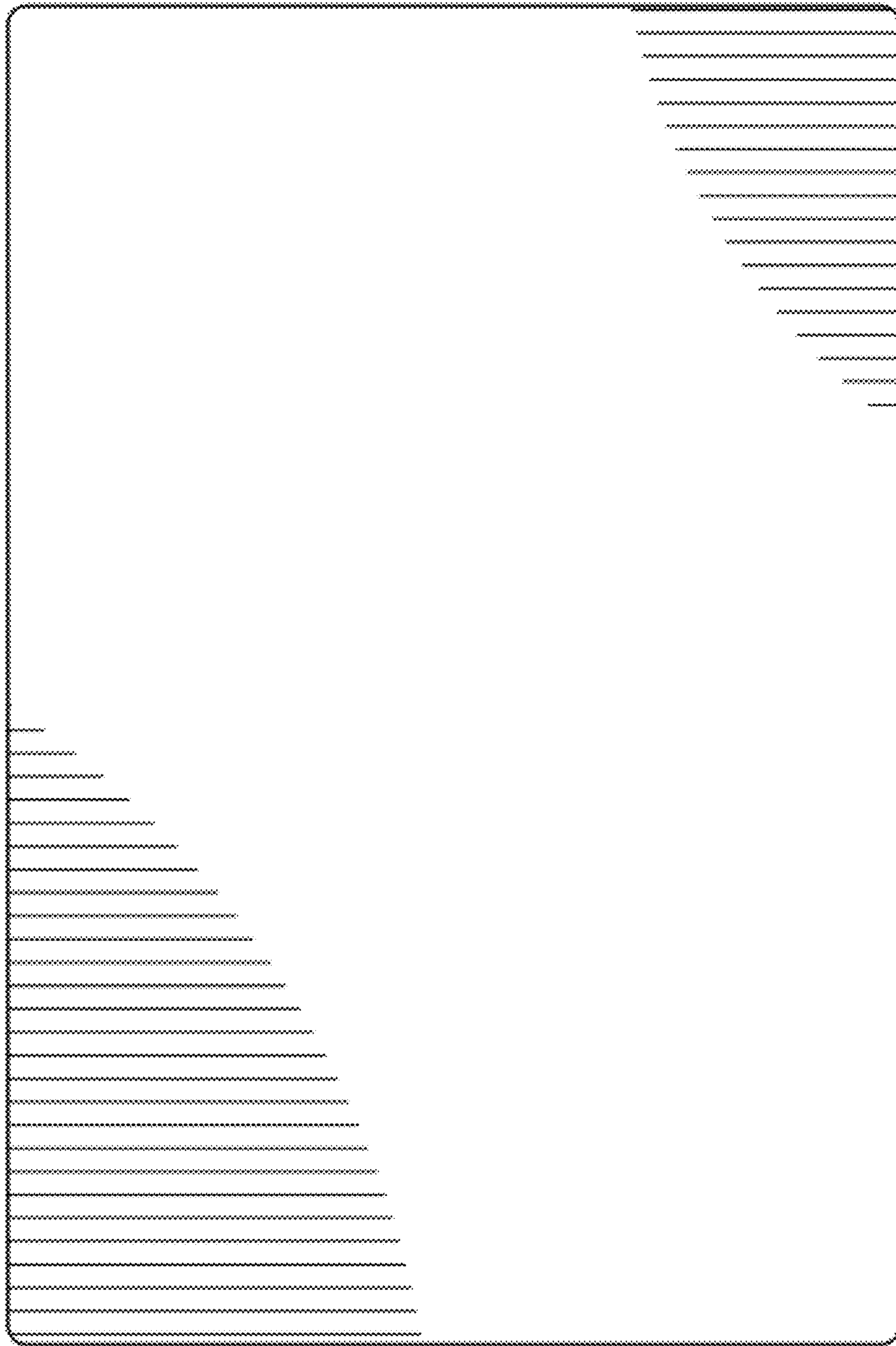


FIG. 3

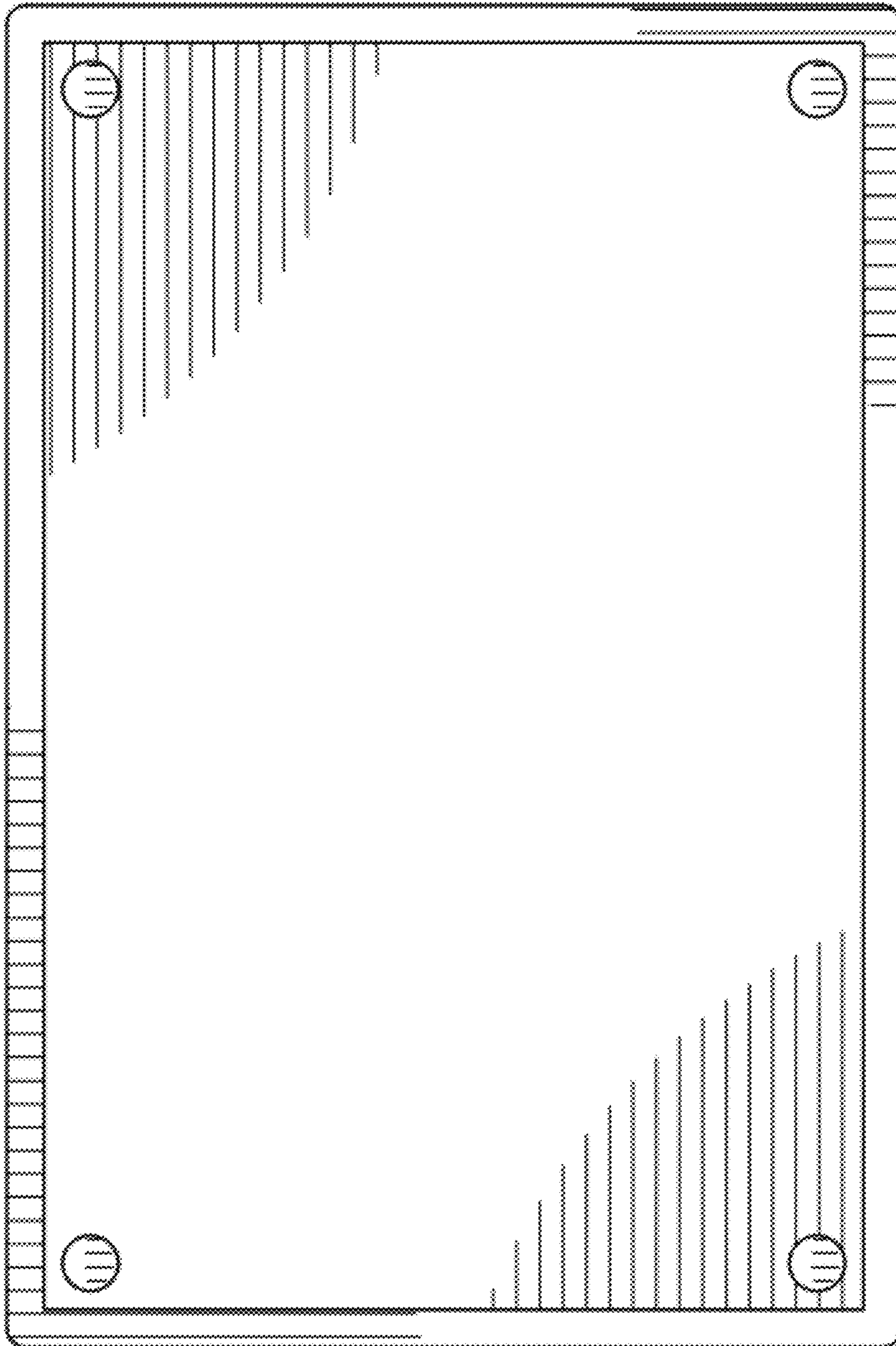


FIG. 4

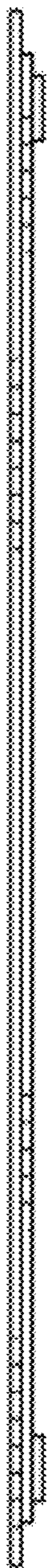


FIG. 5



FIG. 6