



US00D674638S

(12) **United States Design Patent**
Huang

(10) **Patent No.:** **US D674,638 S**
(45) **Date of Patent:** **** Jan. 22, 2013**

(54) **BLIND SLAT**

(75) **Inventor:** **Szu-Chang Huang**, Changhua County
(TW)

(73) **Assignee:** **Taicang Kingfu Plastic Manufacture**
Co., Ltd., Taicang, Jiangshu Province
(CN)

(**) **Term:** **14 Years**

(21) **Appl. No.:** **29/413,395**

(22) **Filed:** **Feb. 15, 2012**

(51) **LOC (9) Cl.** **06-10**

(52) **U.S. Cl.** **D6/577**

(58) **Field of Classification Search** D6/575,
D6/577, 580; 160/236, 242, 900; 49/74.1

See application file for complete search history.

(56) **References Cited**

U.S. PATENT DOCUMENTS

D366,174 S * 1/1996 Knuteson D6/580
D409,869 S * 5/1999 Marusak D6/577
D459,933 S * 7/2002 Goodman D6/580

* cited by examiner

Primary Examiner — Susan Bennett Hattan

Assistant Examiner — Barbara B Lohr

(74) *Attorney, Agent, or Firm* — Faegre Baker Daniels LLP

(57) **CLAIM**

The ornamental design for blind slat, as shown and described.

DESCRIPTION

FIG. 1 is a perspective view of blind slat showing my new design;

FIG. 2 is a front elevational view thereof;

FIG. 3 is a rear elevational view thereof;

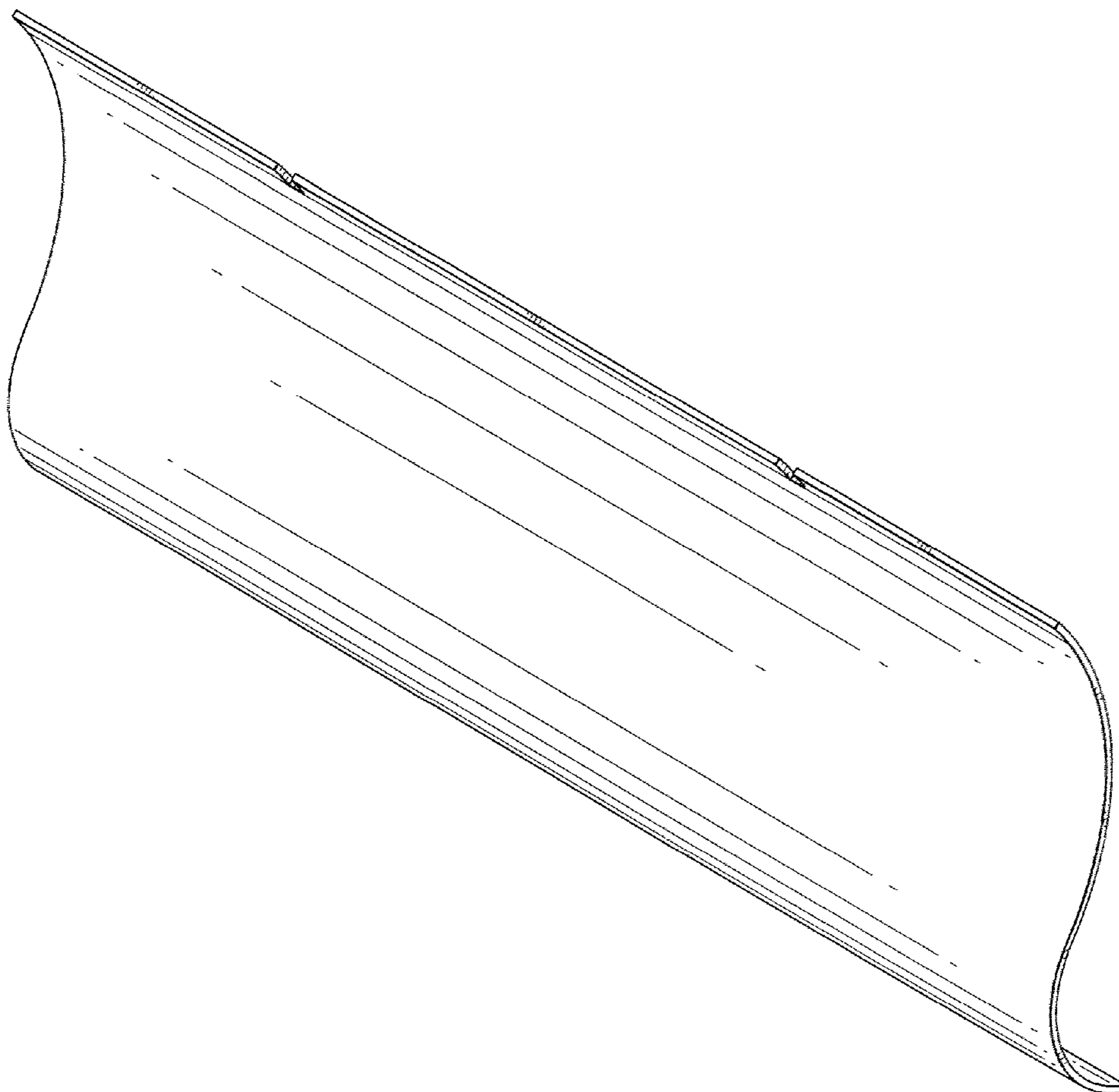
FIG. 4 is a left side elevational view thereof;

FIG. 5 is a right side elevational view thereof;

FIG. 6 is a top plan view thereof; and,

FIG. 7 is a bottom plan view thereof.

1 Claim, 6 Drawing Sheets



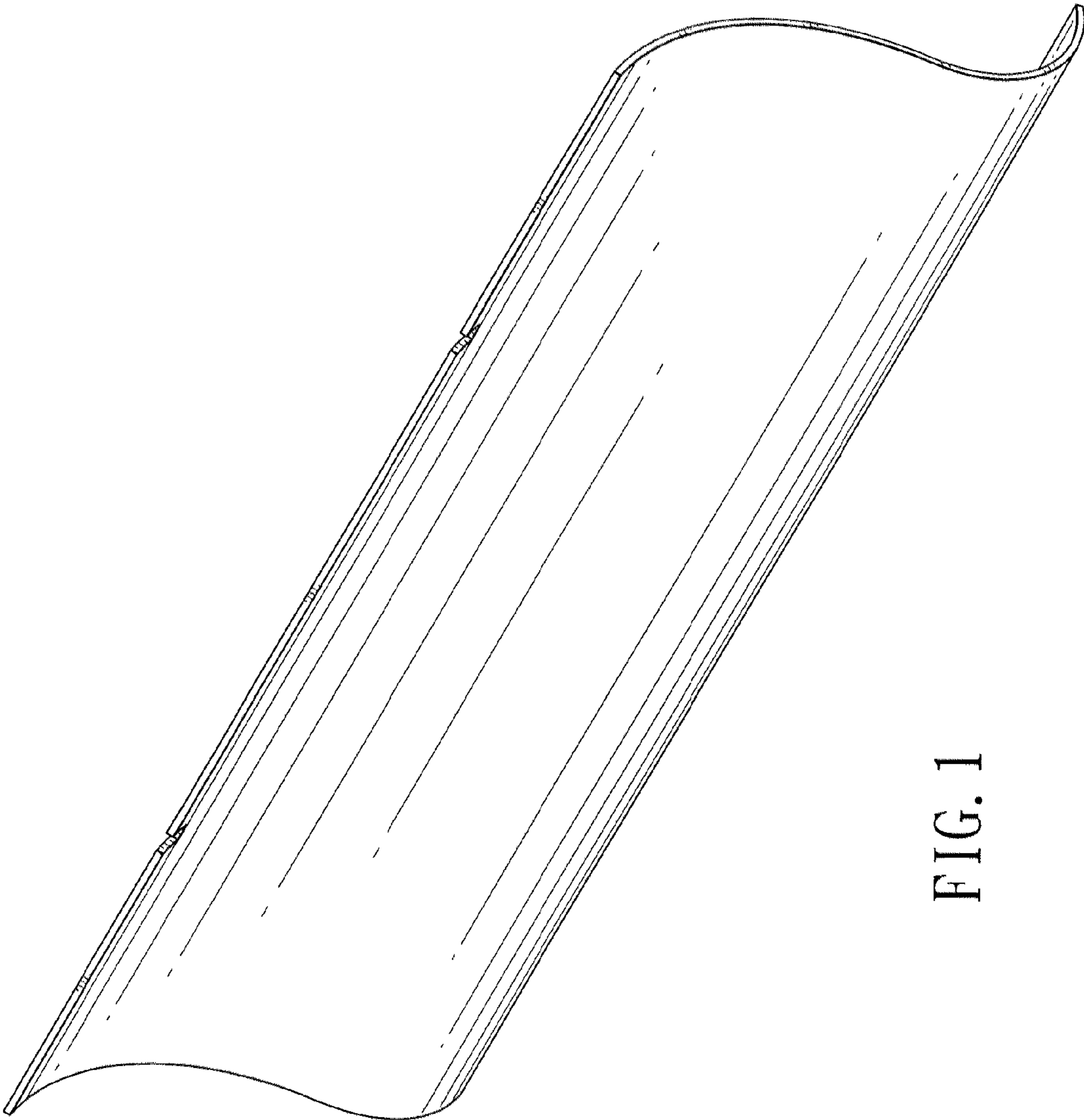


FIG. 1

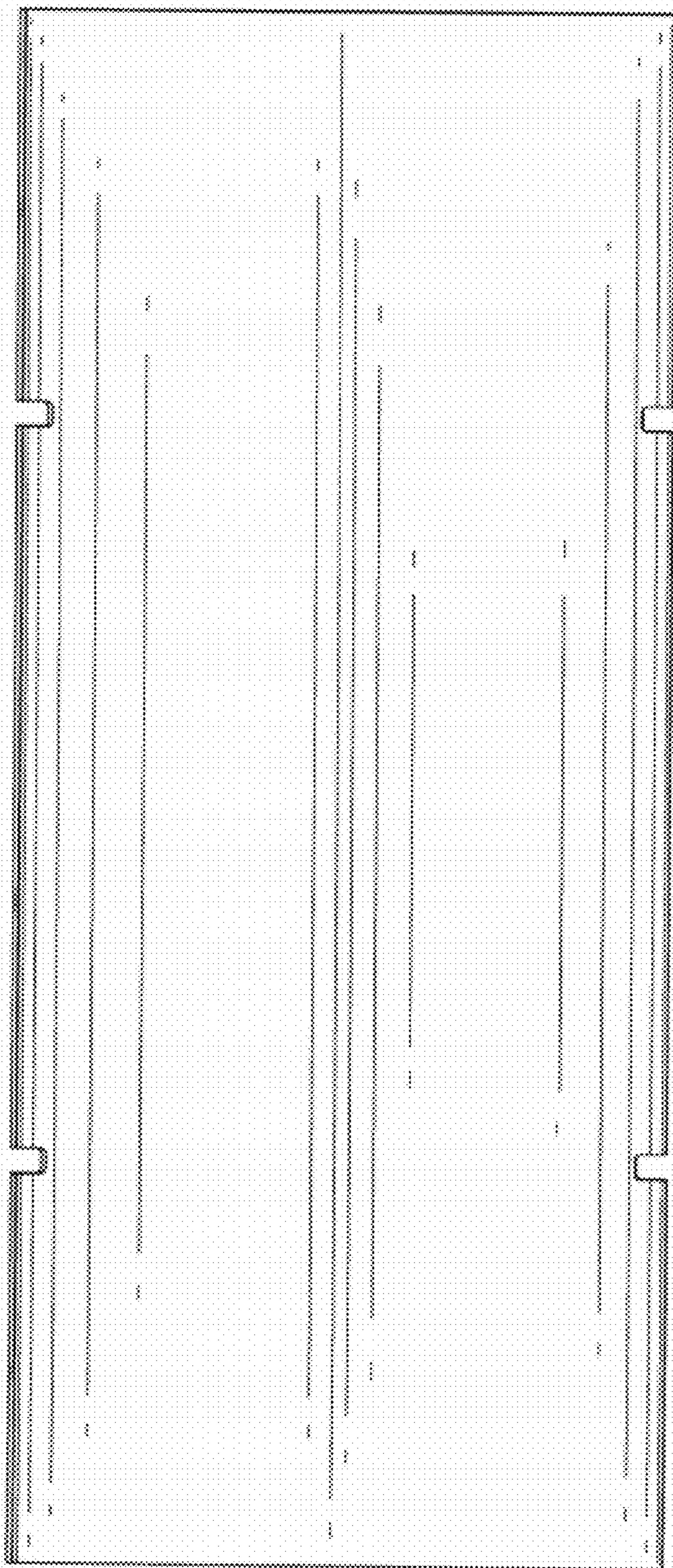


FIG. 2

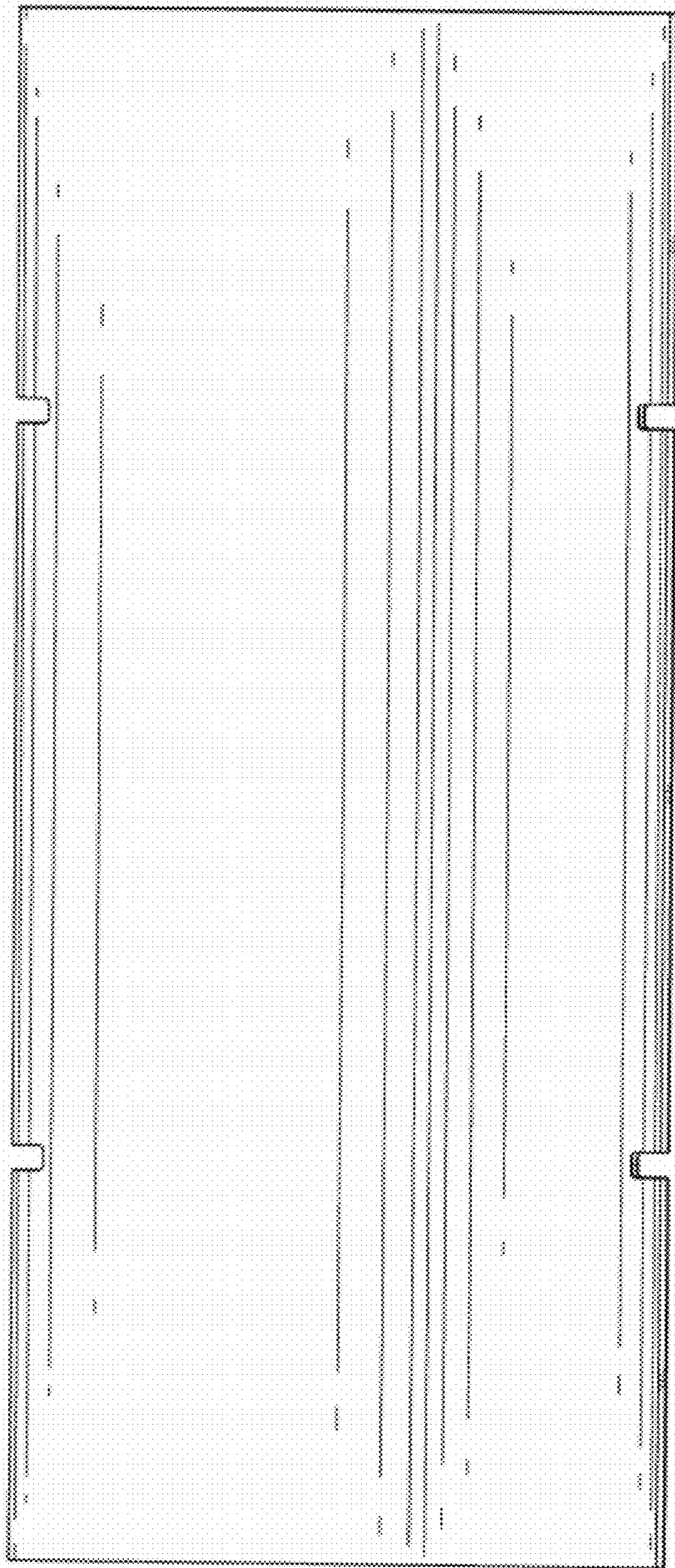


FIG. 3

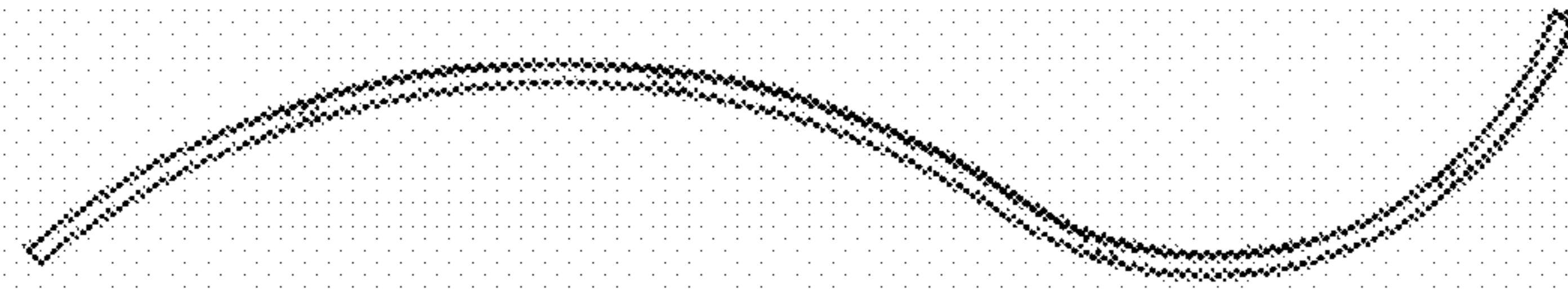


FIG. 5

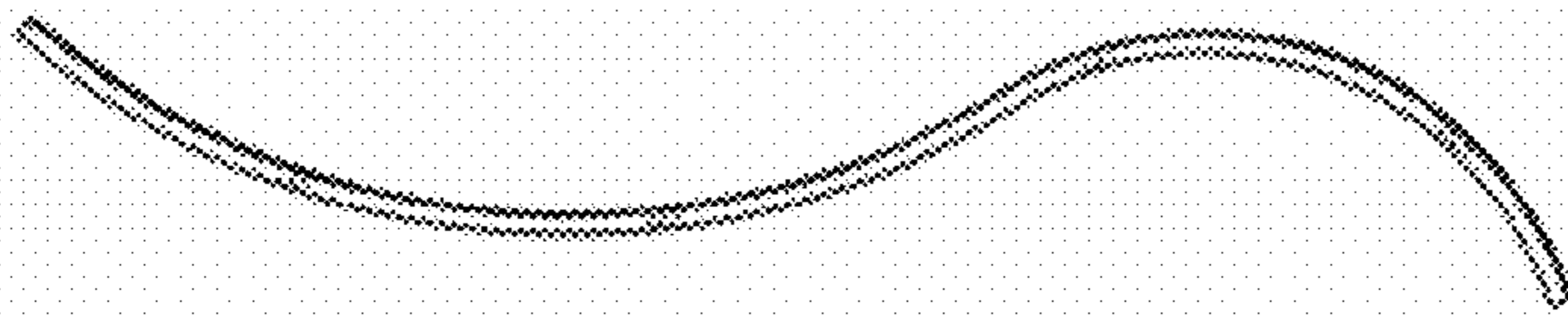


FIG. 4

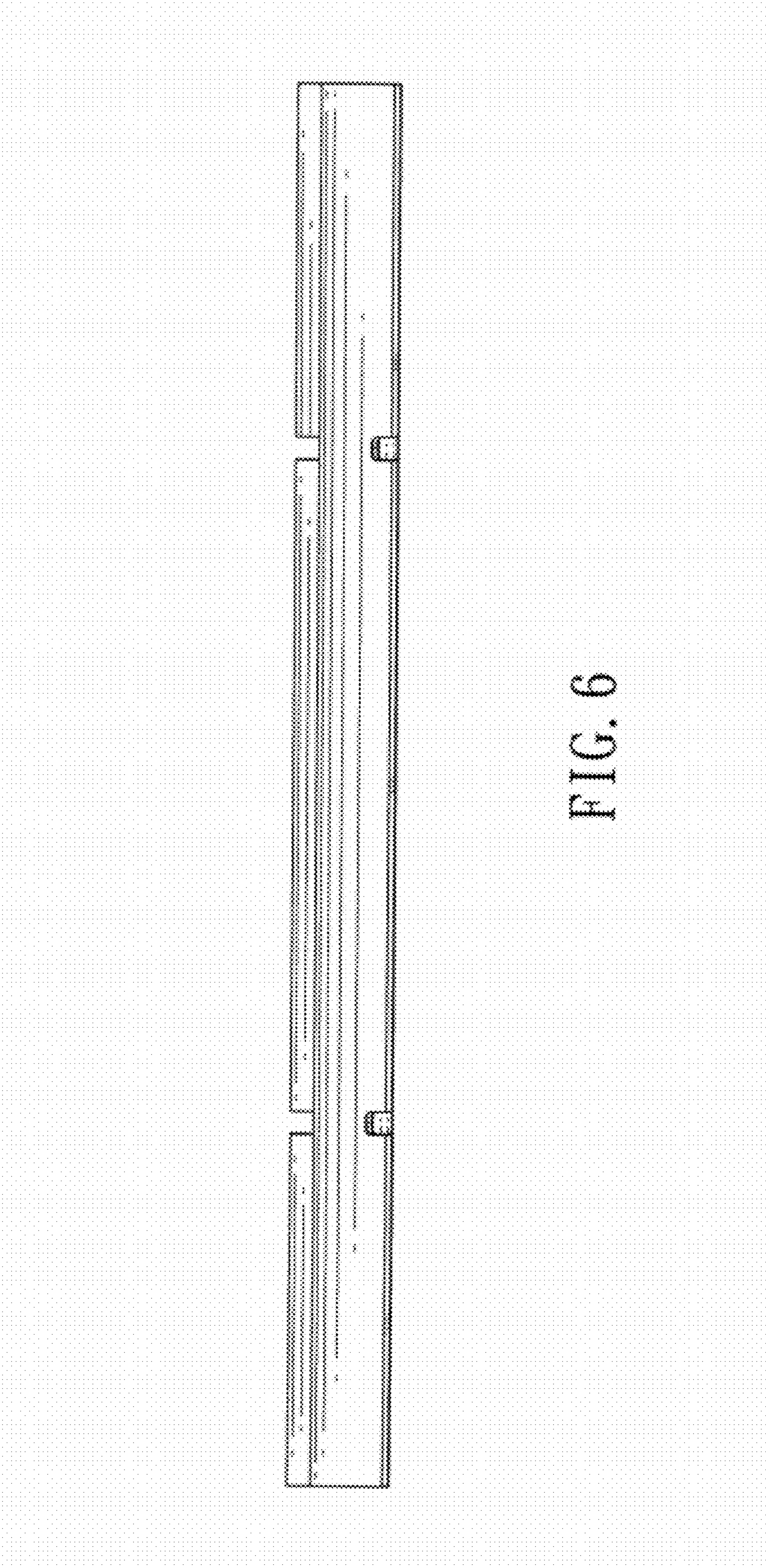


FIG. 6

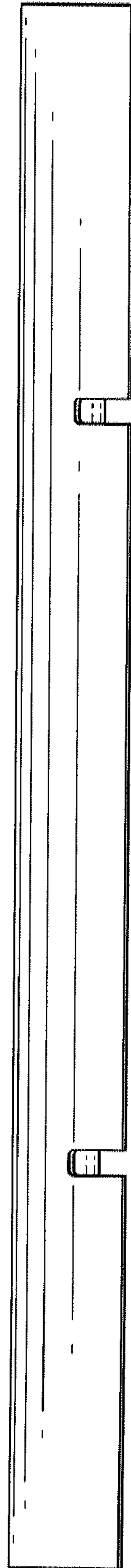


FIG. 7