



US00D674634S

(12) **United States Design Patent**
Dotsey et al.

(10) **Patent No.:** **US D674,634 S**
(45) **Date of Patent:** **** Jan. 22, 2013**

(54) **PAPER ROLL DISPENSER**

(75) Inventors: **Michael A. Dotsey**, Pottstown, PA (US);
Patrick Nolan, Royersford, PA (US)

(73) Assignee: **SCA Hygiene Products AB**, Göteborg
(SE)

(**) Term: **14 Years**

(21) Appl. No.: **29/409,948**

(22) Filed: **Dec. 30, 2011**

(30) **Foreign Application Priority Data**

Aug. 24, 2011 (EP) 1001907601-0001

(51) **LOC (9) Cl.** **23-02**

(52) **U.S. Cl.** **D6/522**

(58) **Field of Classification Search** D6/542-545,
D6/553, 567, 574, 515-525; 206/77.1; 211/13.1,
211/86.01, 87.01; 221/14, 92, 649, 146.1,
221/146.2, 105; 222/281-282; D23/225;
D8/349, 354, 363, 373, 394; D24/155
See application file for complete search history.

(56) **References Cited**

U.S. PATENT DOCUMENTS

D419,014 S *	1/2000	Fluegge et al.	D6/522
D426,411 S *	6/2000	Tramontina	D6/522
D583,174 S *	12/2008	Kuehneman et al.	D6/522
D615,180 S	5/2010	Meyerhoffer		
D615,329 S	5/2010	Meyerhoffer		
D615,330 S	5/2010	Meyerhoffer		
D615,331 S *	5/2010	Meyerhoffer	D6/523
D615,332 S	5/2010	Meyerhoffer		
D627,122 S	11/2010	Meyerhoffer		
D634,142 S	3/2011	Meyerhoffer		

D634,953 S	3/2011	Meyerhoffer		
D635,319 S	3/2011	Meyerhoffer		
D641,578 S	7/2011	Meyerhoffer		
D644,468 S *	9/2011	Hansen	D6/522
D648,585 S	11/2011	Meyerhoffer		
D654,740 S *	2/2012	Cheng et al.	D6/523
D662,743 S	7/2012	Meyerhoffer		

* cited by examiner

Primary Examiner — Brian N Vinson

(74) *Attorney, Agent, or Firm* — Buchanan Ingersoll & Rooney PC

(57) **CLAIM**

The ornamental design for a paper roll dispenser, as shown and described.

DESCRIPTION

FIG. 1 is a view of a backside of a paper roll dispenser showing our new design.

FIG. 2 is a top view of the paper roll dispenser showing our new design.

FIG. 3 is a front view of the paper roll dispenser showing our new design.

FIG. 4 is a bottom view of the paper roll dispenser showing our new design.

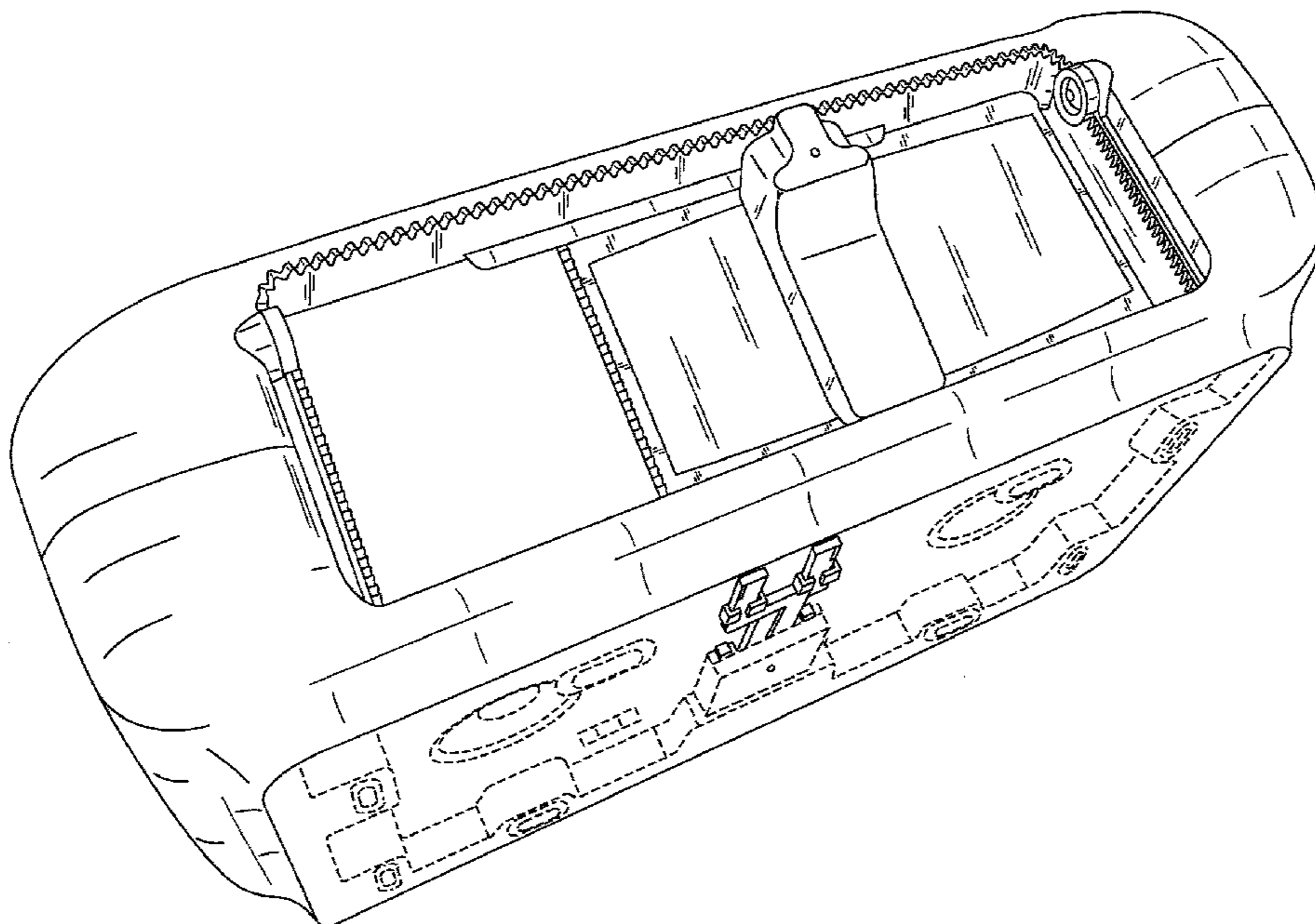
FIG. 5 is a left side view of the paper roll dispenser showing our new design.

FIG. 6 is a right side view of the paper roll dispenser showing our new design; and,

FIG. 7 is a perspective view showing the bottom and back top views of the paper roll dispenser showing our new design.

The broken-line disclosure represents unclaimed portions of the article in which the claimed design is embodied.

1 Claim, 4 Drawing Sheets



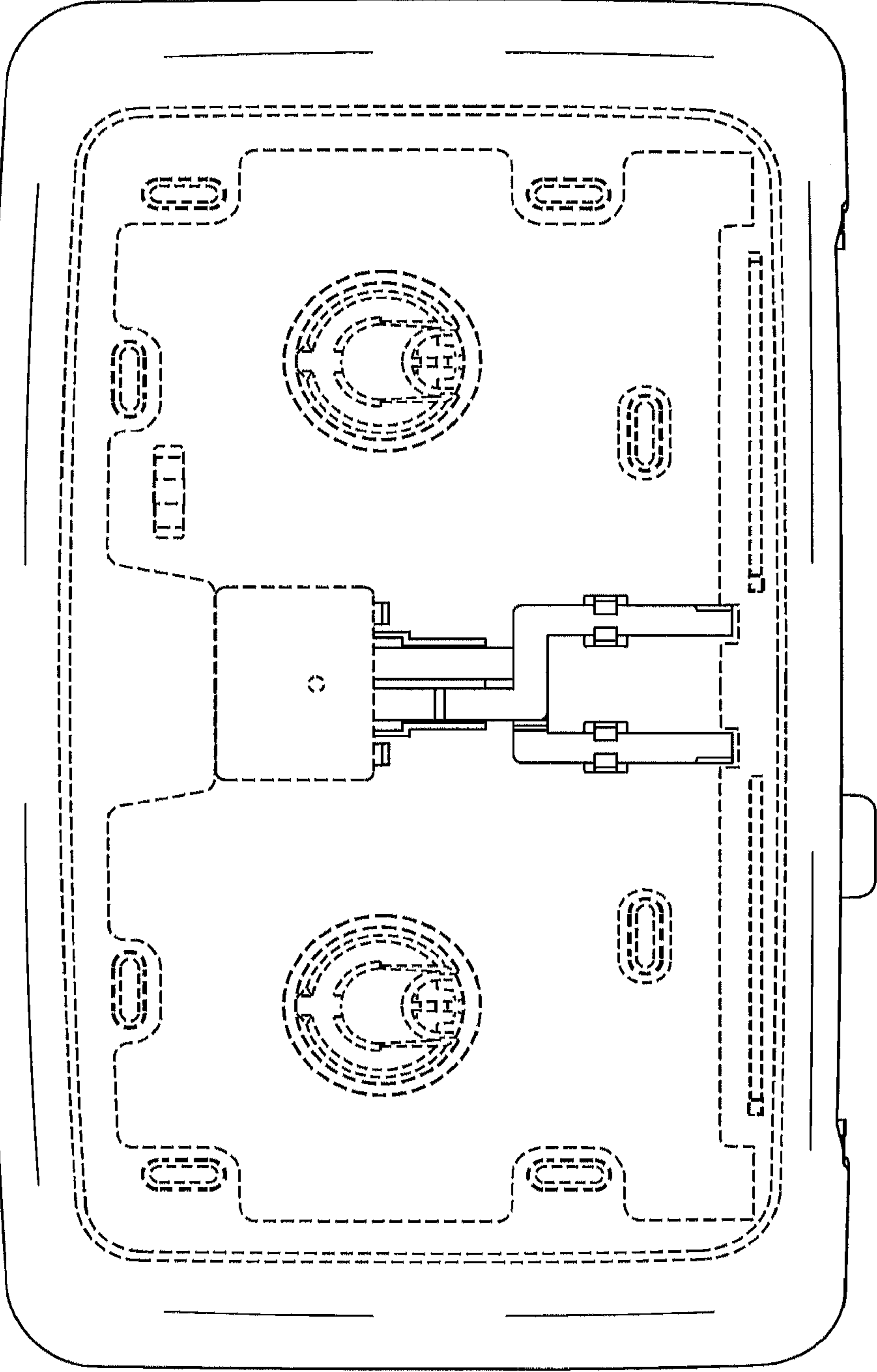


FIG. 1

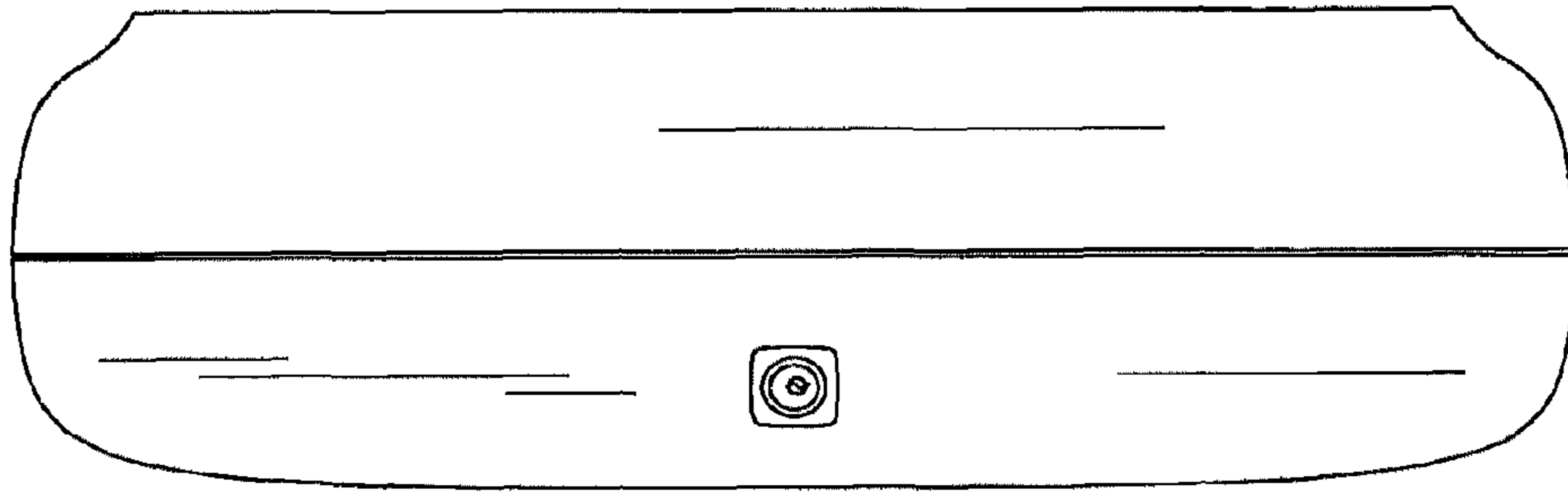


FIG. 2

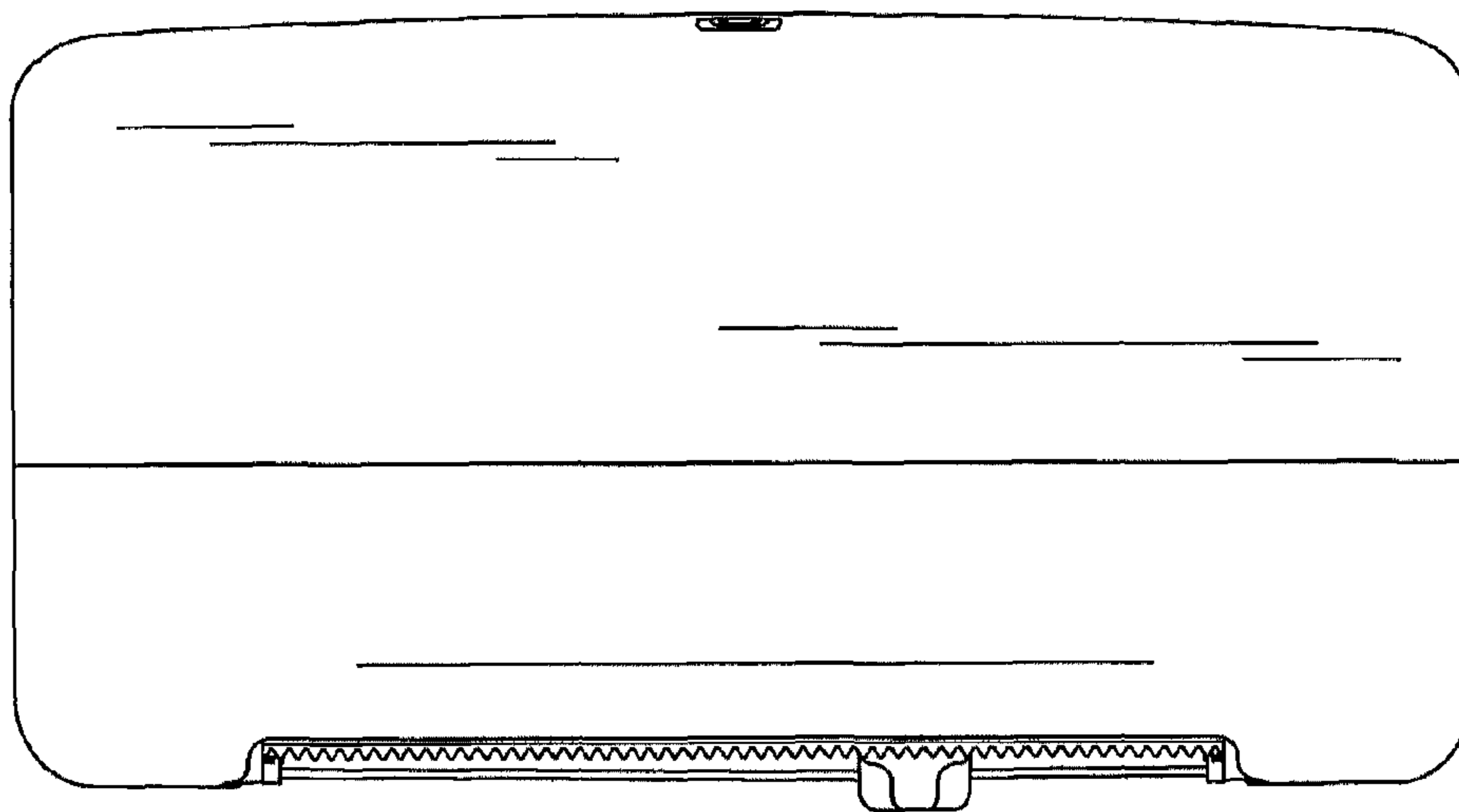


FIG. 3

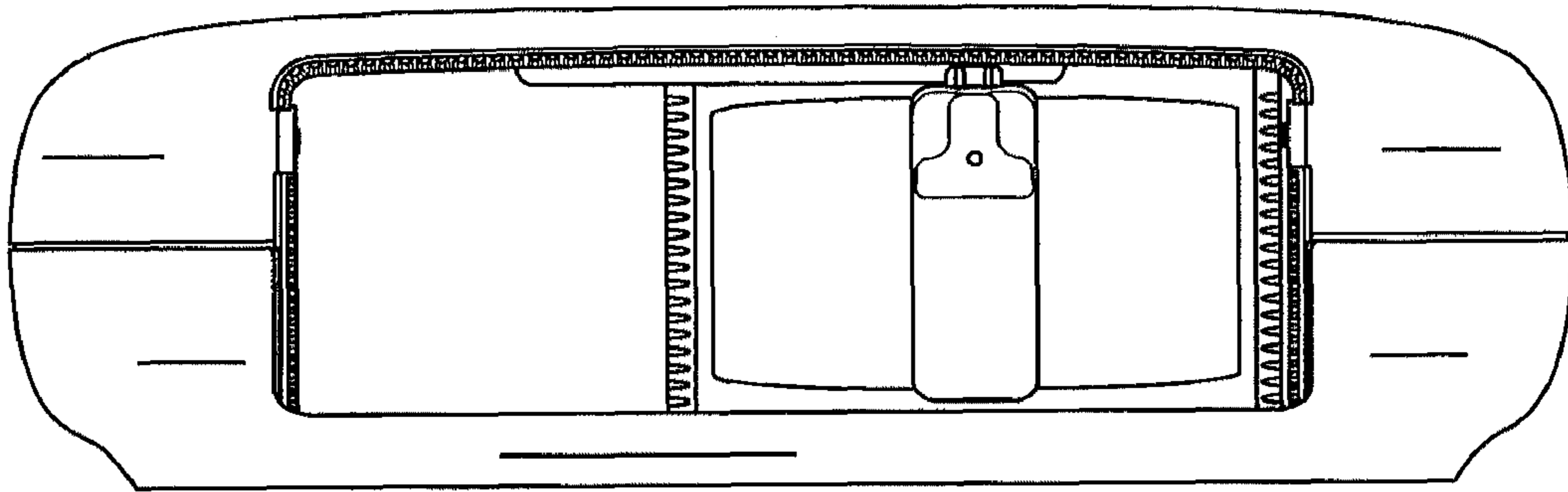


FIG. 4

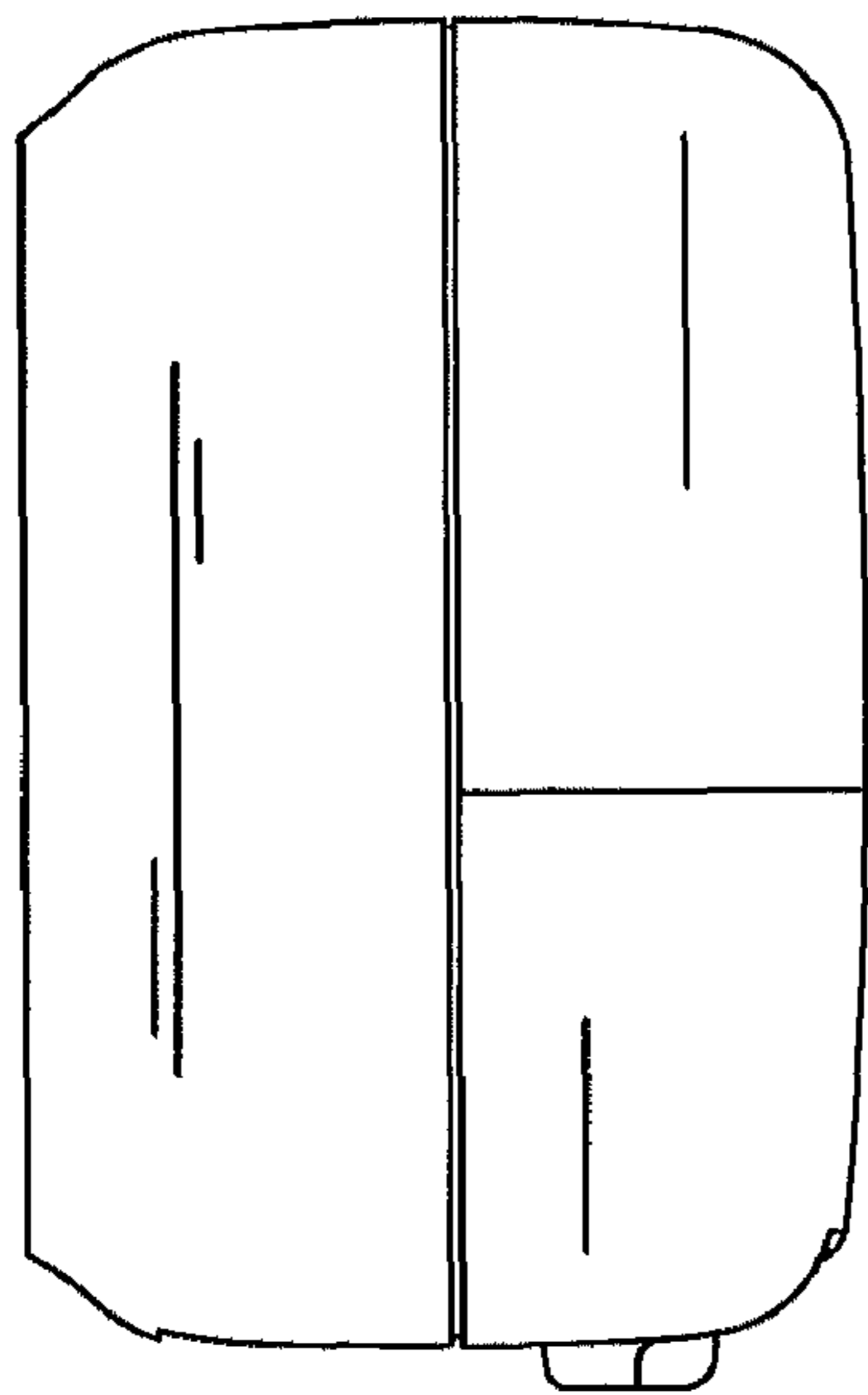


FIG. 5

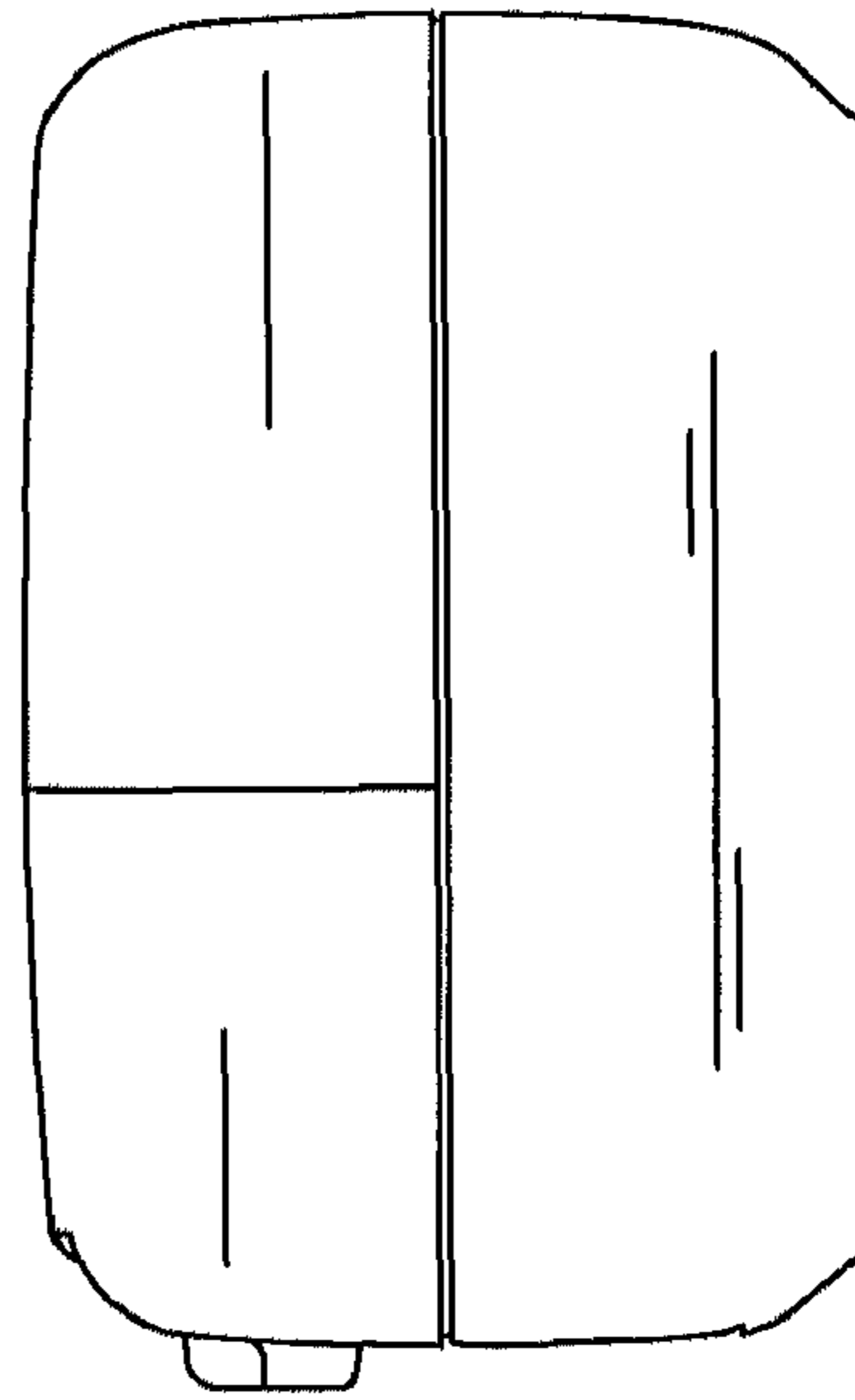


FIG. 6

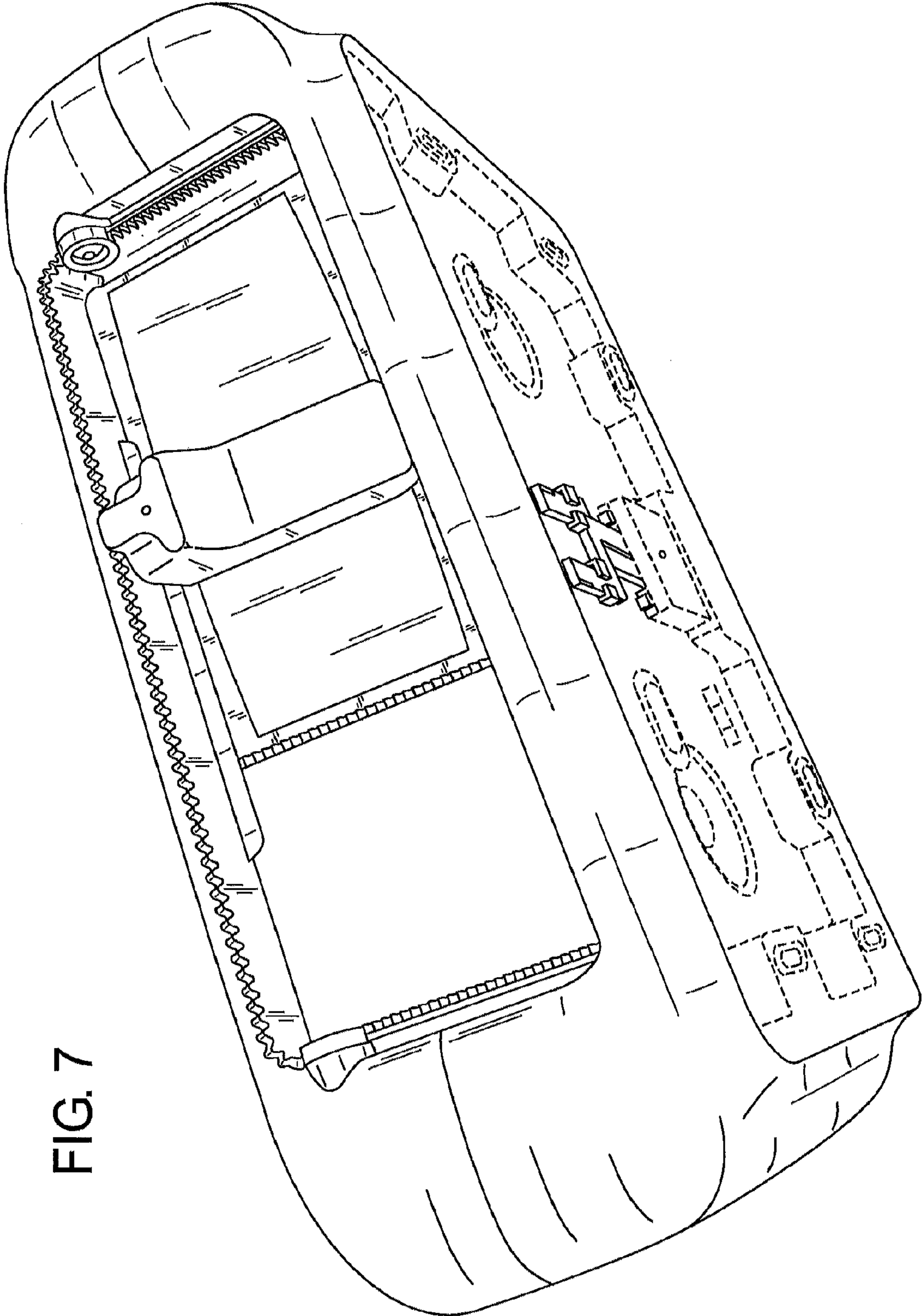


FIG. 7