



US00D674631S

(12) **United States Design Patent**  
**Blanc**

(10) **Patent No.:** **US D674,631 S**

(45) **Date of Patent:** **\*\* Jan. 22, 2013**

(54) **SHELVING**

(75) Inventor: **Dominique Blanc**, Tournus (FR)

(73) Assignee: **Tournus Equipement, S.A.S.**, Tournas (FR)

(\*\*) Term: **14 Years**

(21) Appl. No.: **29/427,546**

(22) Filed: **Jul. 19, 2012**

(51) **LOC (9) Cl.** ..... **06-02**

(52) **U.S. Cl.** ..... **D6/511**

(58) **Field of Classification Search** ..... D6/509,  
D6/511, 553, 567-569, 574; 211/13.1, 86.01,  
211/71.01, 74, 126.1, 90.03, 134-135; 108/25,  
108/28, 42

See application file for complete search history.

(56) **References Cited**

**U.S. PATENT DOCUMENTS**

2,974,843	A *	3/1961	Reifers et al. ....	229/407
4,154,795	A *	5/1979	Thorne .....	422/553
D266,772	S *	11/1982	Sayers .....	D19/92
D294,209	S *	2/1988	Havelka .....	D6/467
D387,874	S *	12/1997	Vila .....	D24/227
D392,827	S *	3/1998	Yemini .....	D6/574
D393,543	S *	4/1998	Wilkening et al. ....	D3/313
5,743,416	A *	4/1998	Yemini .....	211/70.6
D394,775	S *	6/1998	Anderson et al. ....	D6/574
D442,814	S *	5/2001	Sterling et al. ....	D6/553
6,286,693	B1 *	9/2001	Brown .....	211/181.1
D485,452	S *	1/2004	Boron et al. ....	D6/469
D485,458	S *	1/2004	Govrik et al. ....	D6/511
D493,256	S *	7/2004	Kim .....	D28/61
D515,315	S *	2/2006	Rader et al. ....	D3/304
D519,303	S *	4/2006	Winig et al. ....	D6/467
D528,876	S *	9/2006	King .....	D7/701
D634,570	S *	3/2011	Lin .....	D6/511

D634,957	S *	3/2011	Rosenzweig .....	D6/567
7,909,181	B2 *	3/2011	Purushothaman .....	211/41.8
D660,059	S *	5/2012	Nilsson .....	D6/511
8,191,718	B2 *	6/2012	Hovatter .....	211/85.18

\* cited by examiner

*Primary Examiner* — Kelley Donnelly

(74) *Attorney, Agent, or Firm* — Antonio Papageorgiou;  
Ostrow Kaufman LLP

(57) **CLAIM**

The ornamental design for shelving, as shown and described.

**DESCRIPTION**

FIG. 1 is a perspective view showing the top, front, and one side of the shelving according to a first embodiment of my new design;

FIG. 2 is a perspective view showing the bottom, front, and one side of the first embodiment;

FIG. 3 is a top view of the first embodiment;

FIG. 4 is a left side view of the first embodiment, the rights side view being a mirror image of the left side view;

FIG. 5 is a front view of the first embodiment, the back view being a mirror image of the front view;

FIG. 6 is a perspective view showing the top, front, and one side of the shelving according to a second embodiment of my new design;

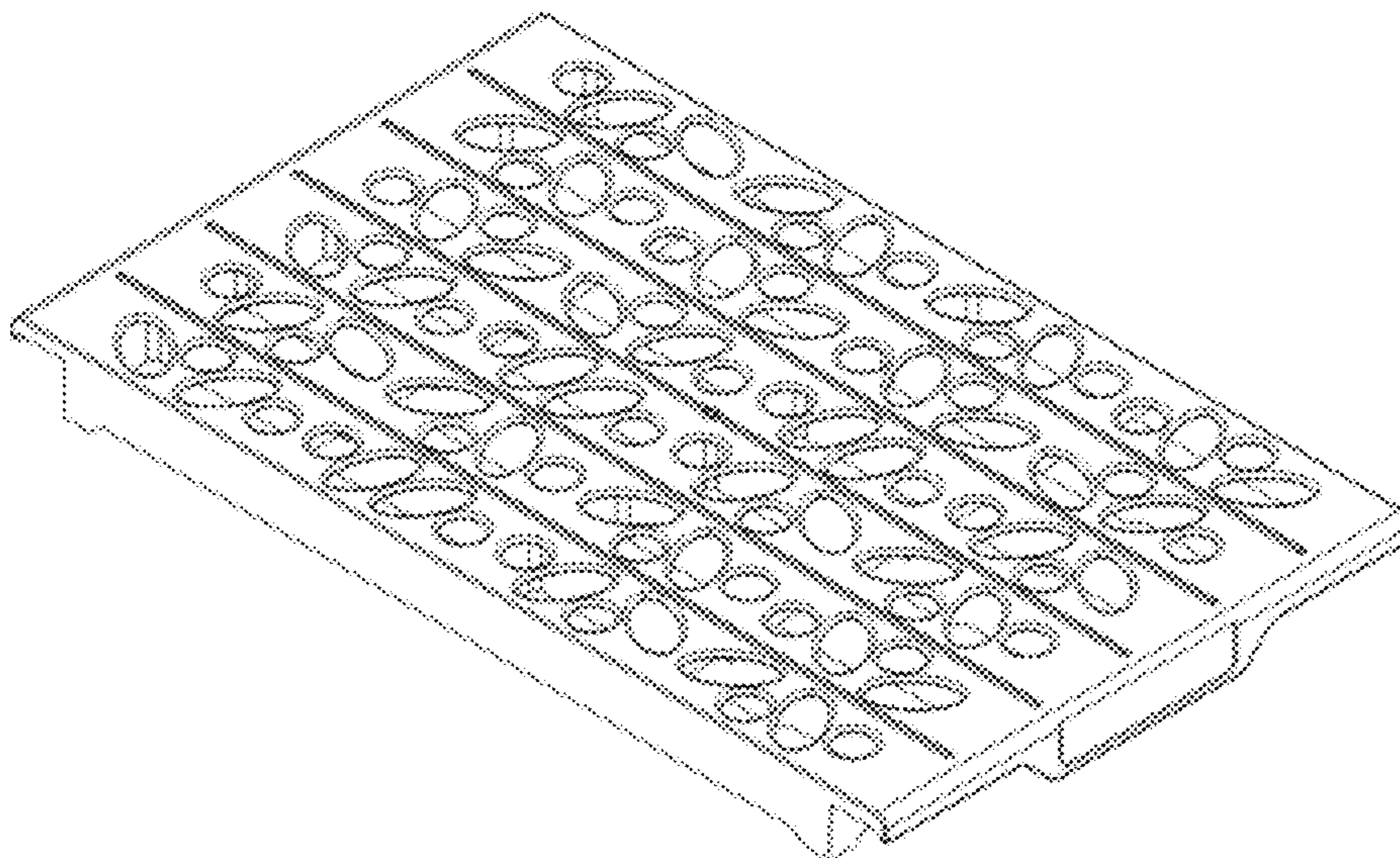
FIG. 7 is a perspective view showing the bottom, front, and one side of the second embodiment;

FIG. 8 is a top view the second embodiment;

FIG. 9 is a left side view the second embodiment, the rights side view being a mirror image of the left side view; and,

FIG. 10 is a front view the second embodiment, the back view being a mirror image of the front view.

**1 Claim, 10 Drawing Sheets**



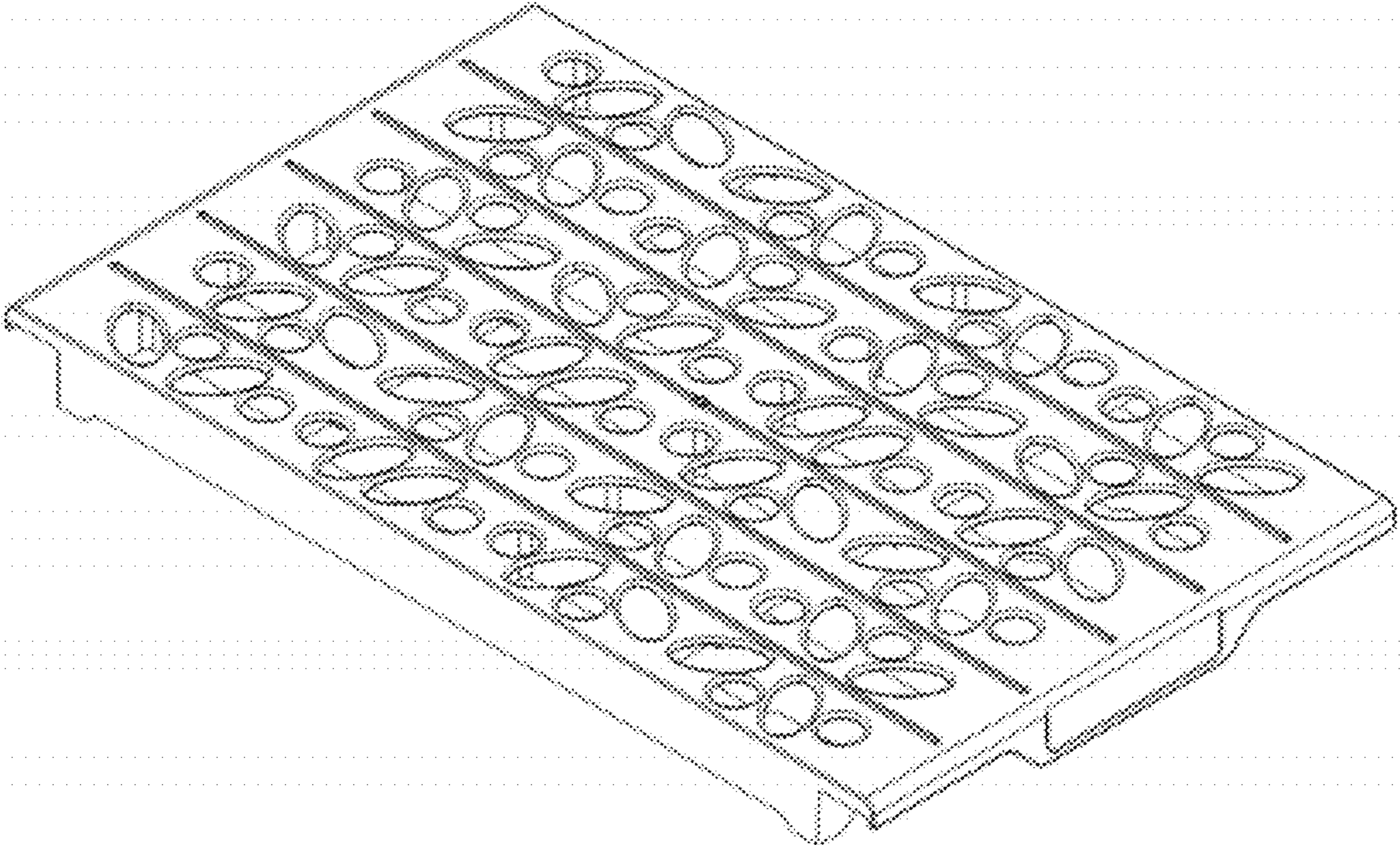


FIG. 1



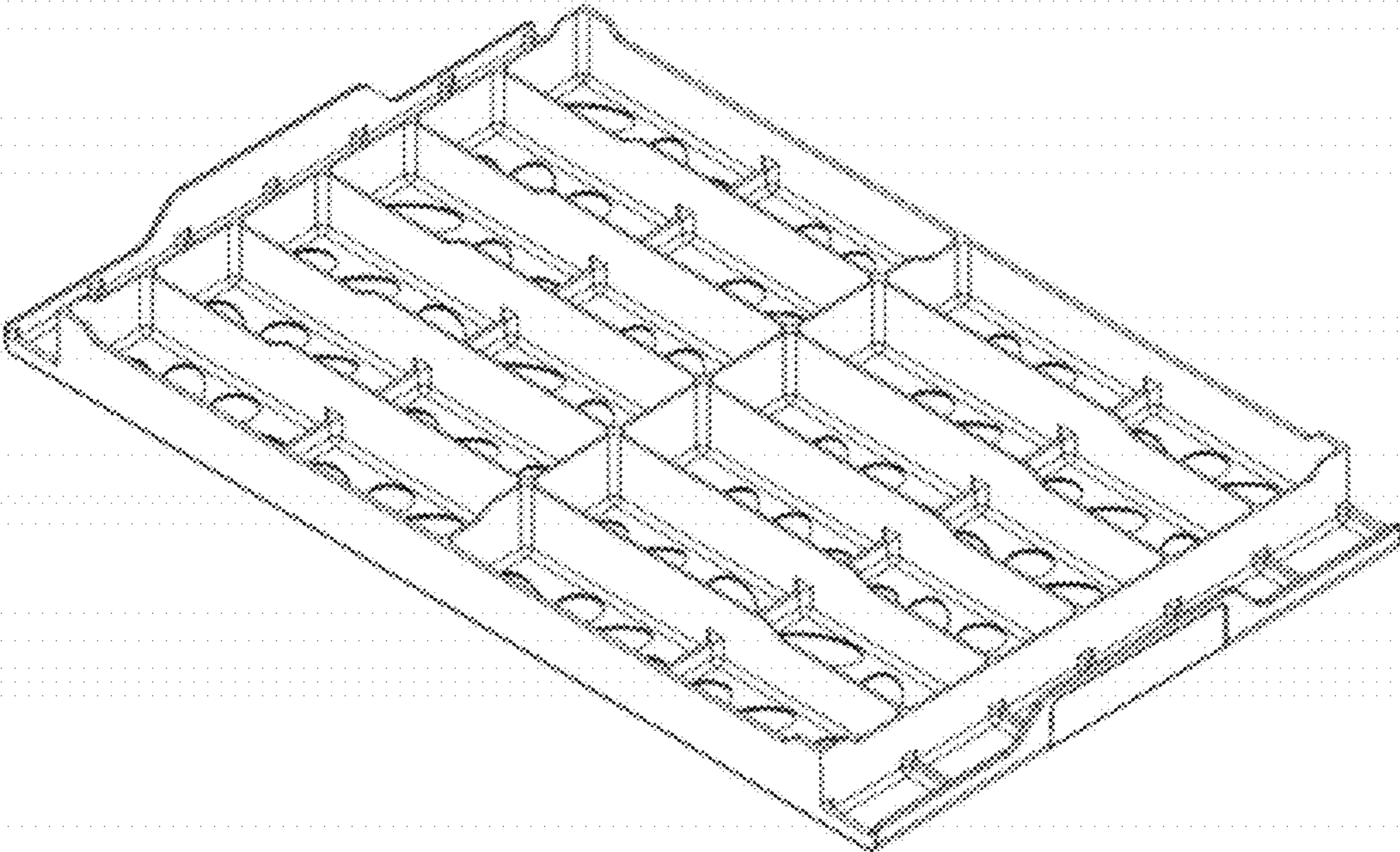


FIG. 2

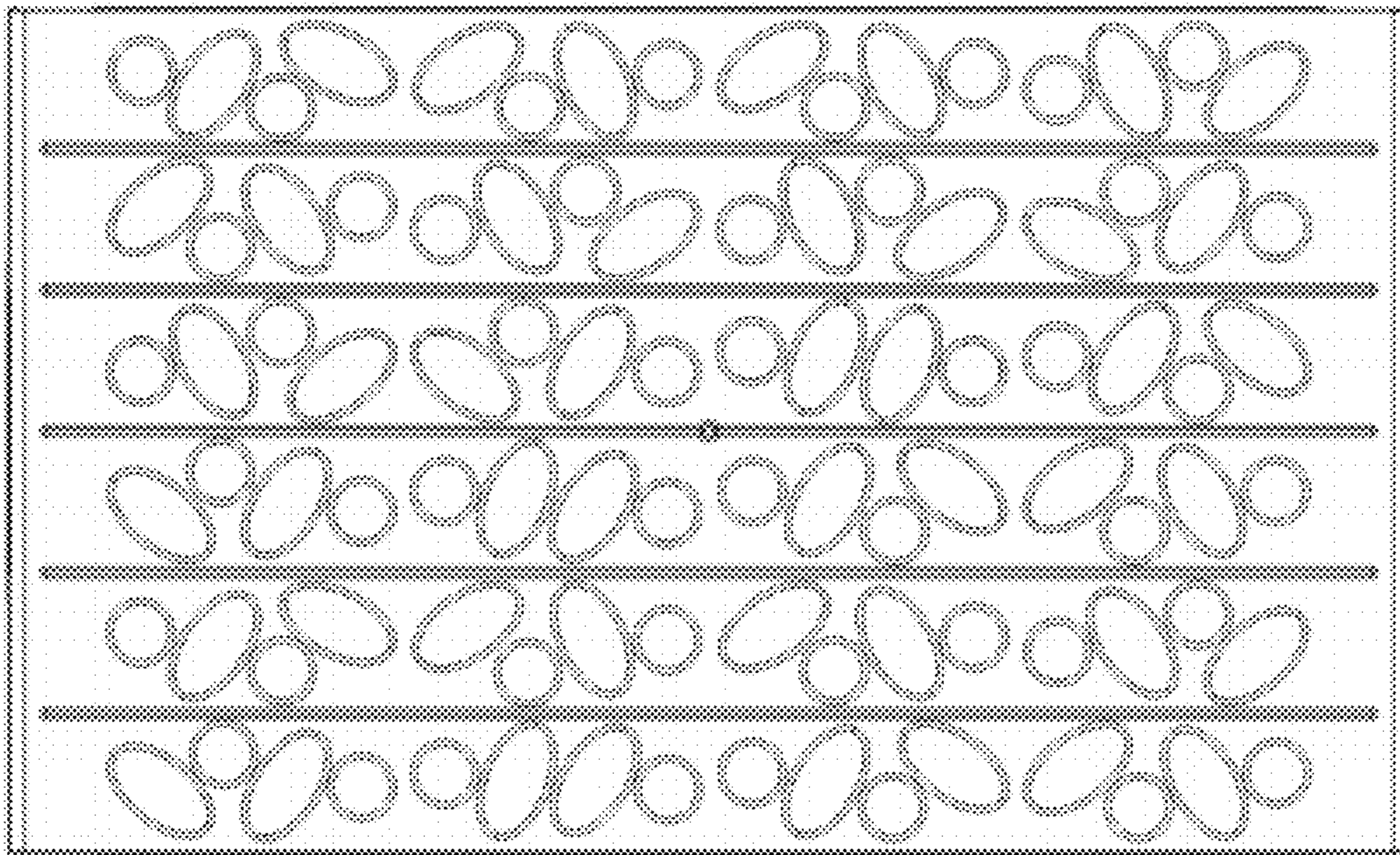


FIG. 3

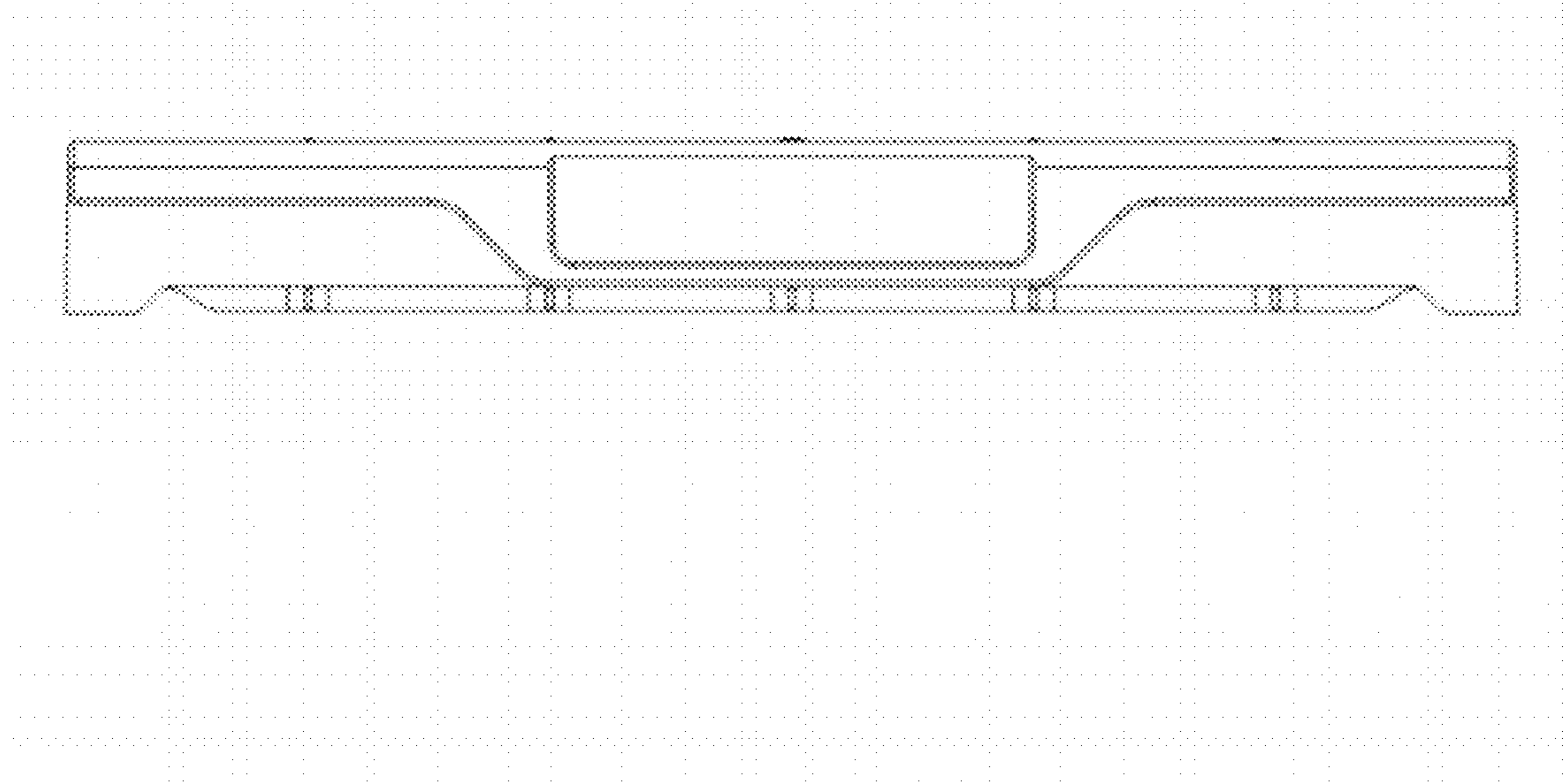


FIG. 4

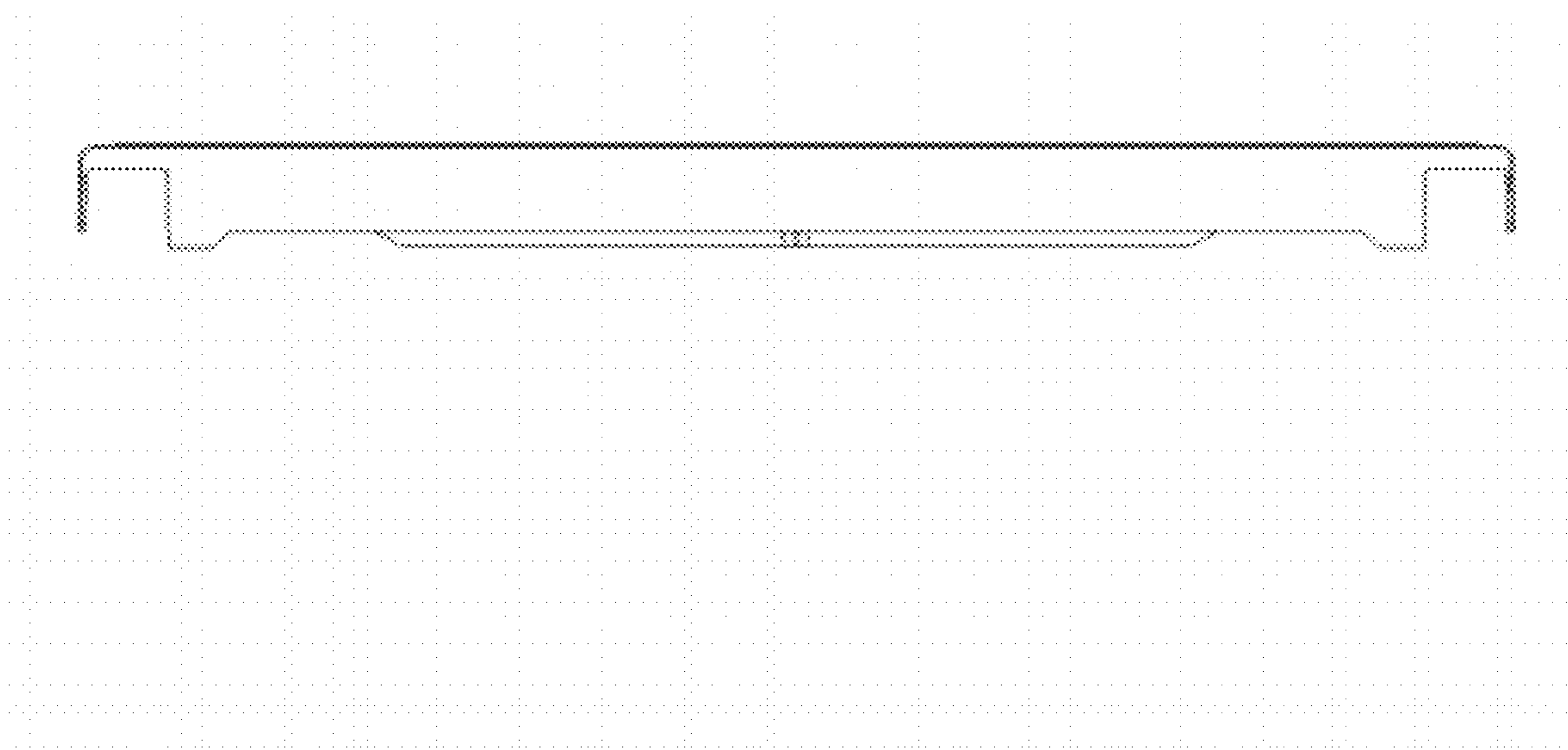


FIG. 5



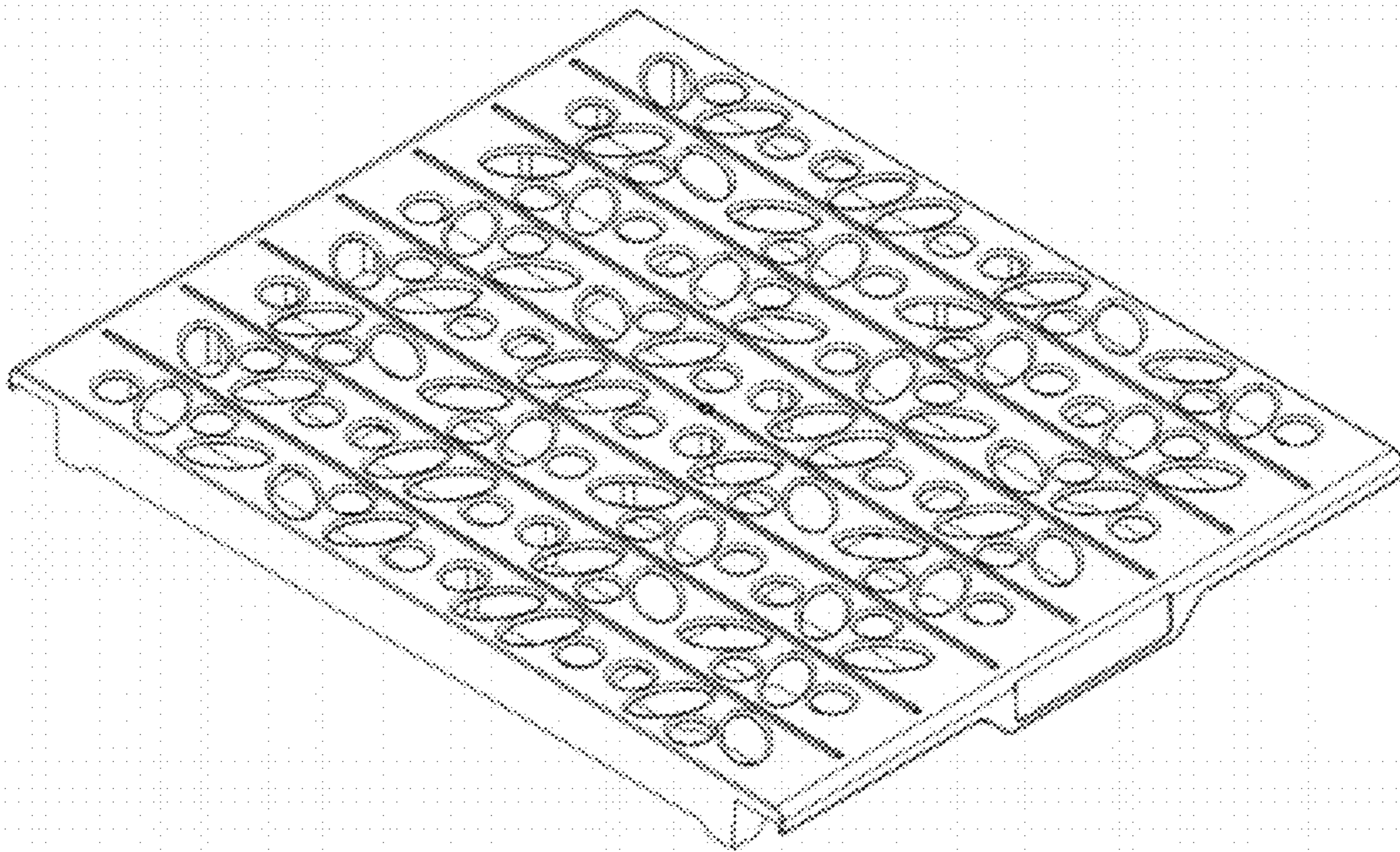


FIG. 6

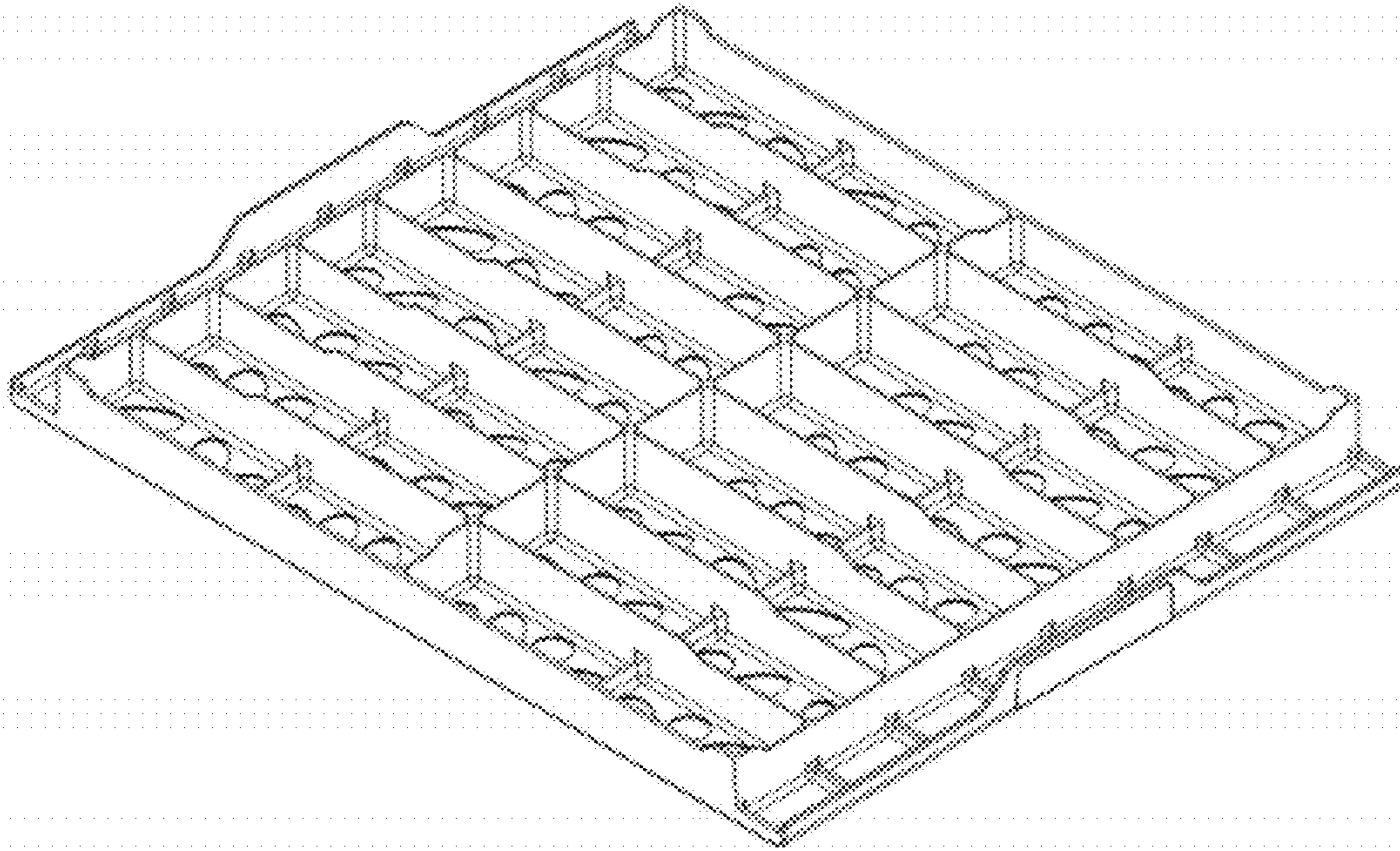


FIG. 7



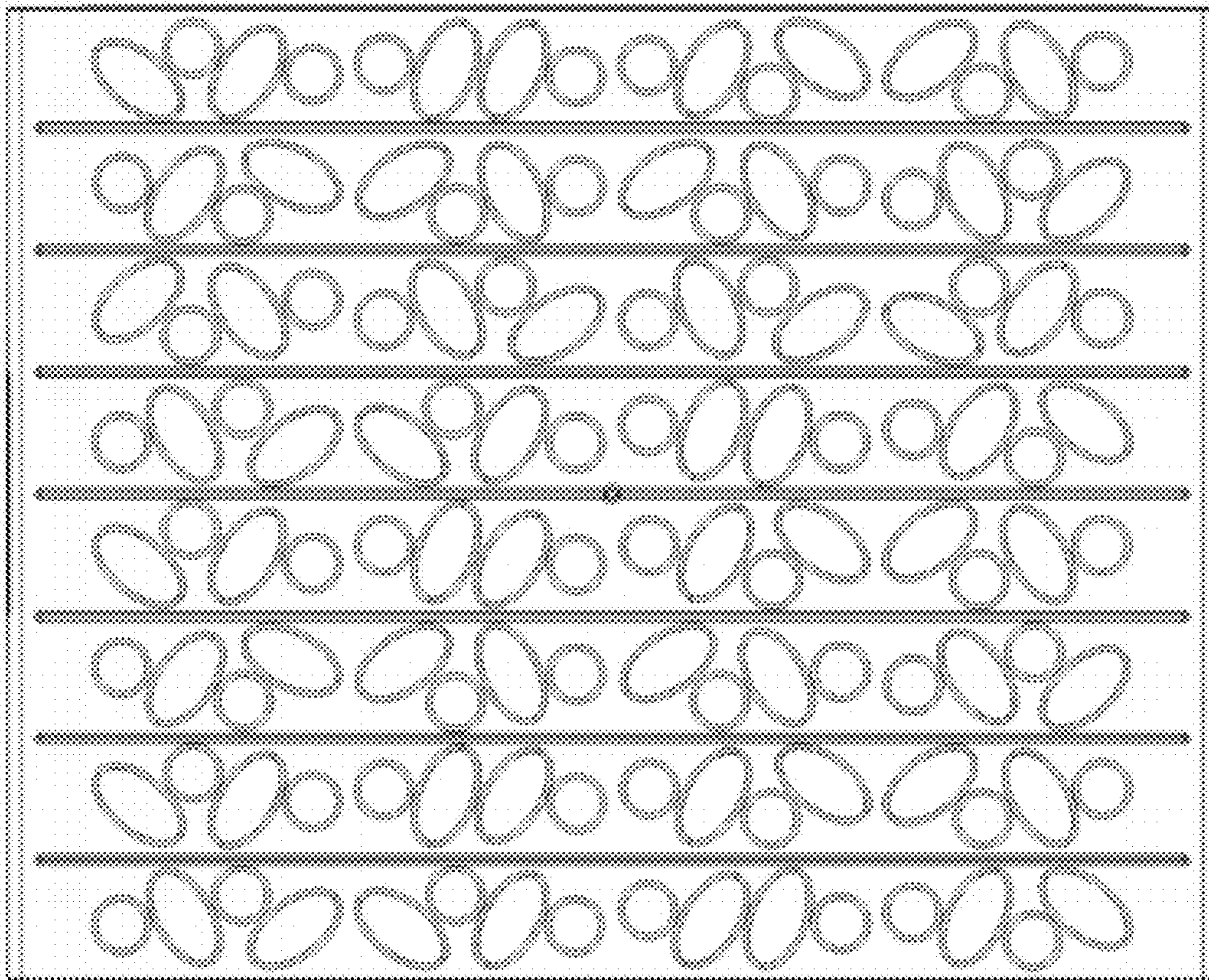


FIG. 8

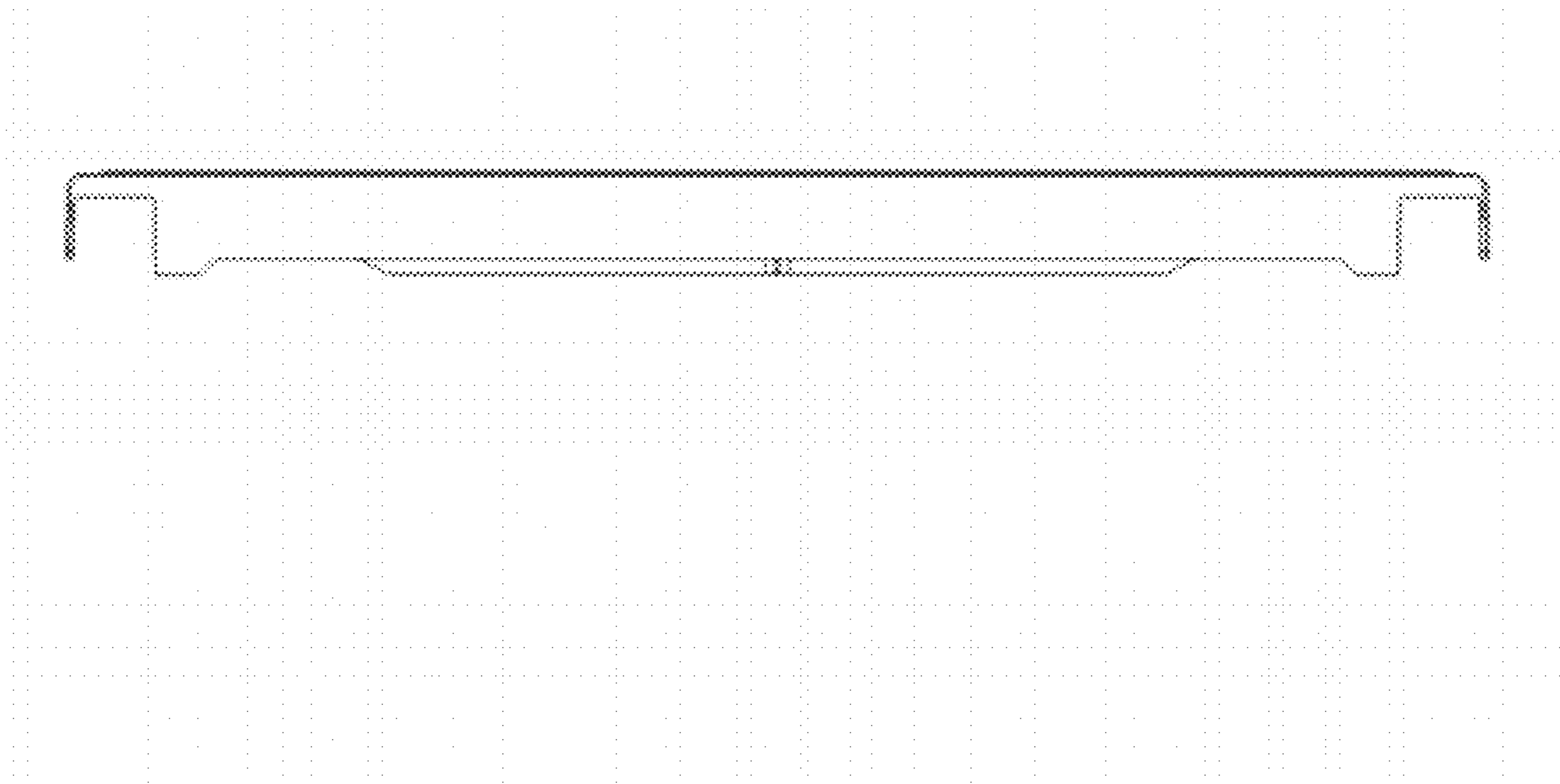


FIG. 9

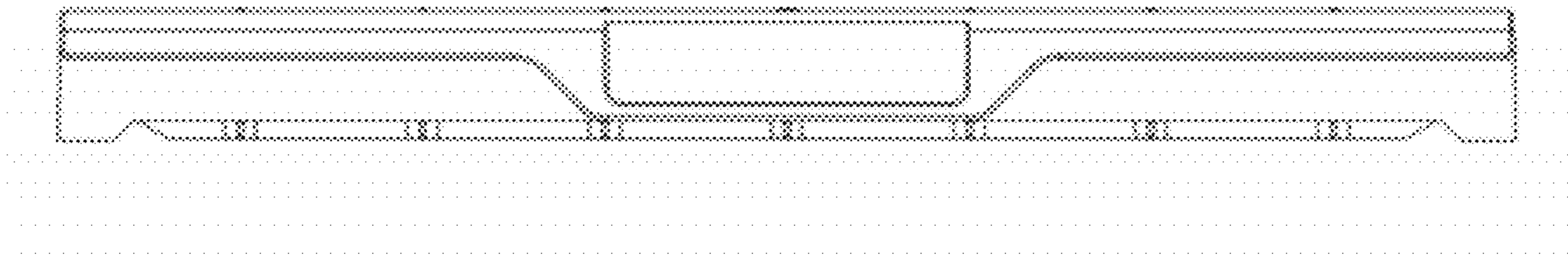


FIG. 10