



US00D674629S

(12) **United States Design Patent**
Petrick et al.

(10) **Patent No.:** **US D674,629 S**
(45) **Date of Patent:** **** Jan. 22, 2013**

(54) **CHAIR**

(75) Inventors: **Dave Petrick**, Sanibel, FL (US); **Joel Petrick**, Chicago, IL (US); **Tad Petrick**, Evanston, IL (US); **Christopher Petrick**, Park Ridge, IL (US); **Brian Wixted**, Crystal Lake, IL (US); **Stewart Long**, Des Plaines, IL (US); **William Cesare Cesaroni**, Glenview, IL (US); **Morad Ghassemian**, Oak Park, IL (US); **Jared L. Fritts**, Forest Park, IL (US); **Christian Castro**, Chicago, IL (US)

(73) Assignee: **Bretford Manufacturing**, Franklin Park, IL (US)

(**) Term: **14 Years**

(21) Appl. No.: **29/412,573**

(22) Filed: **Feb. 6, 2012**

(51) **LOC (9) Cl.** **06-01**

(52) **U.S. Cl.** **D6/500; D6/379; D6/380**

(58) **Field of Classification Search** D6/334-336, D6/365, 366, 367, 368, 374, 376, 379, 380, D6/500-502; 297/183.7, 239, 411.28, 445.1, 297/446.1, 452.18, 452.2, 452.29

See application file for complete search history.

(56) **References Cited**

U.S. PATENT DOCUMENTS

| | | | | | | |
|--------------|----|---|---------|-----------------|-------|---------|
| D455,021 | S | * | 4/2002 | Kita | | D6/375 |
| D455,022 | S | * | 4/2002 | Kita | | D6/375 |
| D505,801 | S | * | 6/2005 | Cesaroni et al. | | D6/379 |
| D513,902 | S | * | 1/2006 | Piretti | | D6/380 |
| 2005/0264060 | A1 | * | 12/2005 | Cesaroni et al. | | 297/239 |

* cited by examiner

Primary Examiner — Mimosa De

(74) *Attorney, Agent, or Firm* — Anderson Gorecki & Rouille LLP

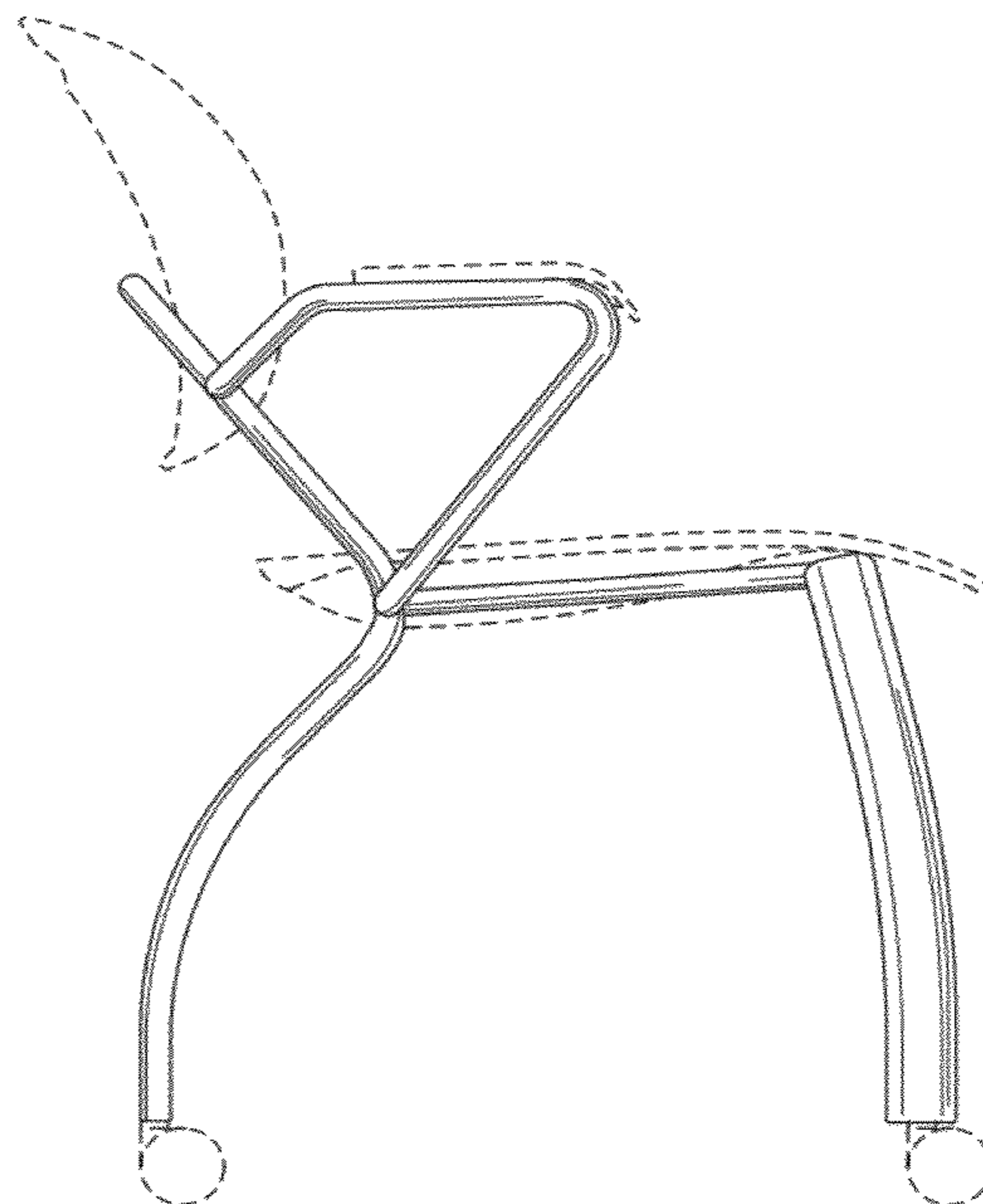
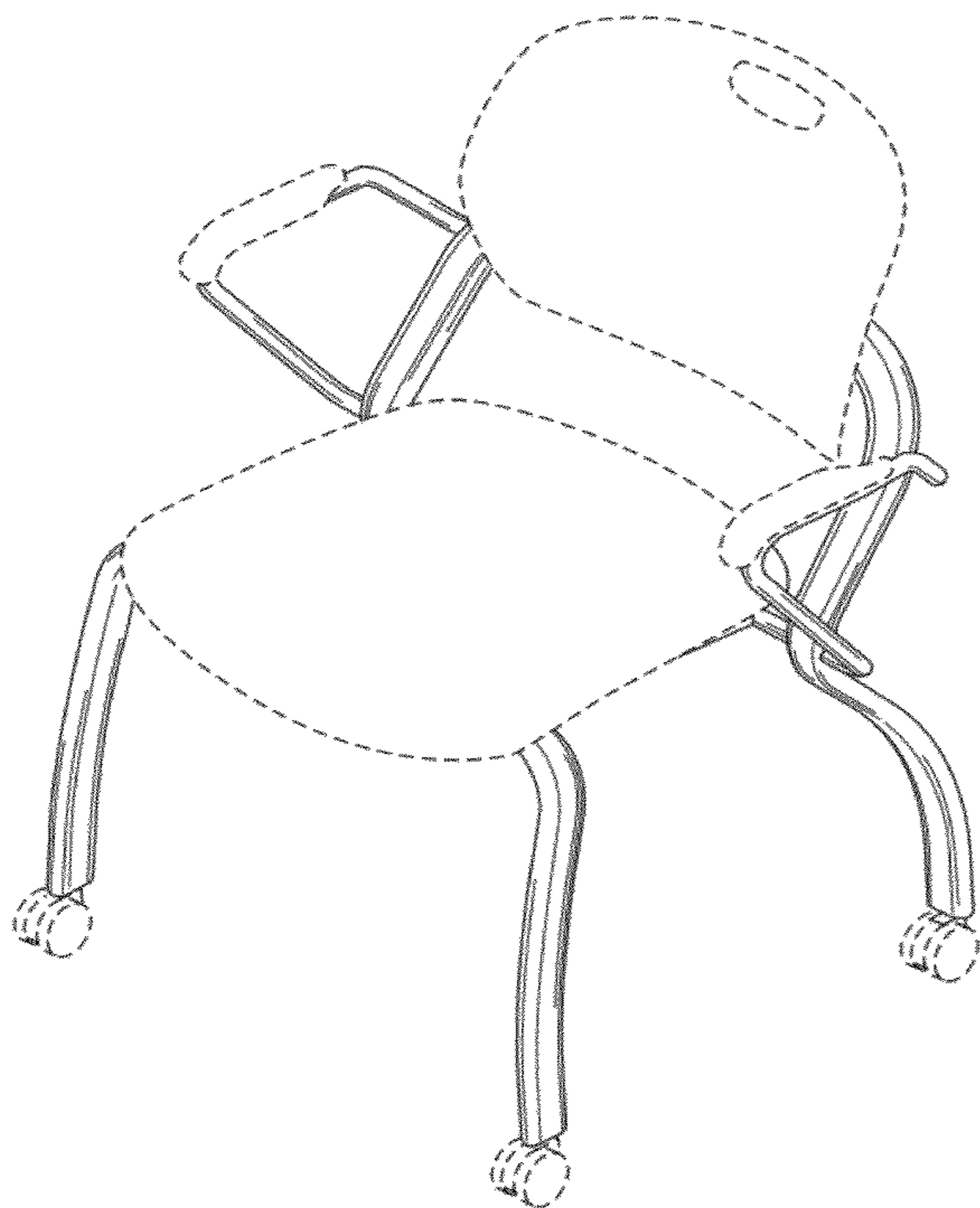
(57) **CLAIM**

The ornamental design for a chair, as shown and described.

DESCRIPTION

FIG. 1 is a front perspective view of a chair; FIG. 2 is a front view of the chair of FIG. 1; FIG. 3 is a rear view of the chair of FIG. 1; FIG. 4 is a left side of the chair of FIG. 1, the right side view being a mirror image of the left side view; FIG. 5 is a top plan view of the chair of FIG. 1; and, FIG. 6 is a bottom plan view of the chair of FIG. 1. The broken lines shown in the drawings are for illustrative purposes only and form no part of the claimed design.

1 Claim, 6 Drawing Sheets



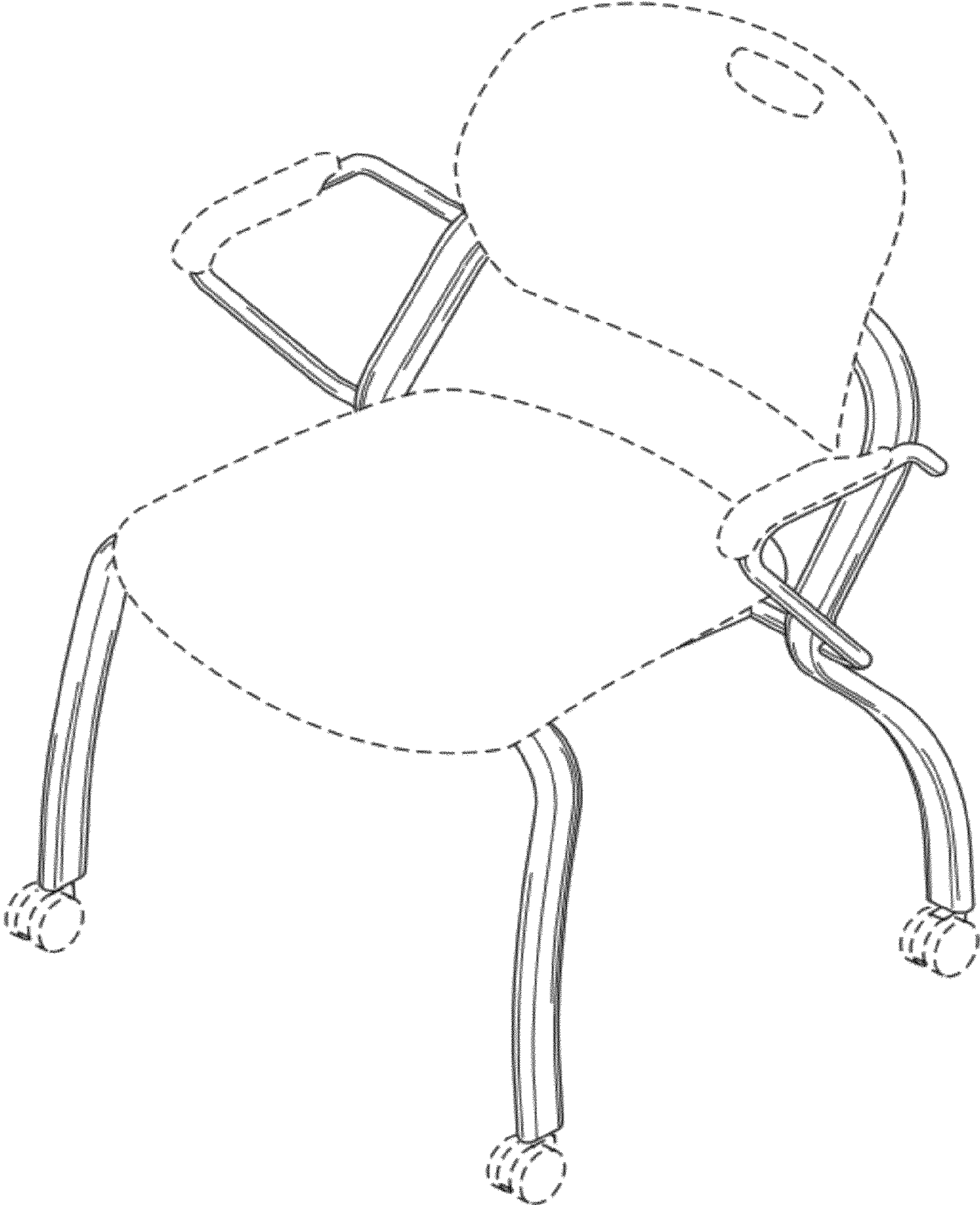


FIG. 1

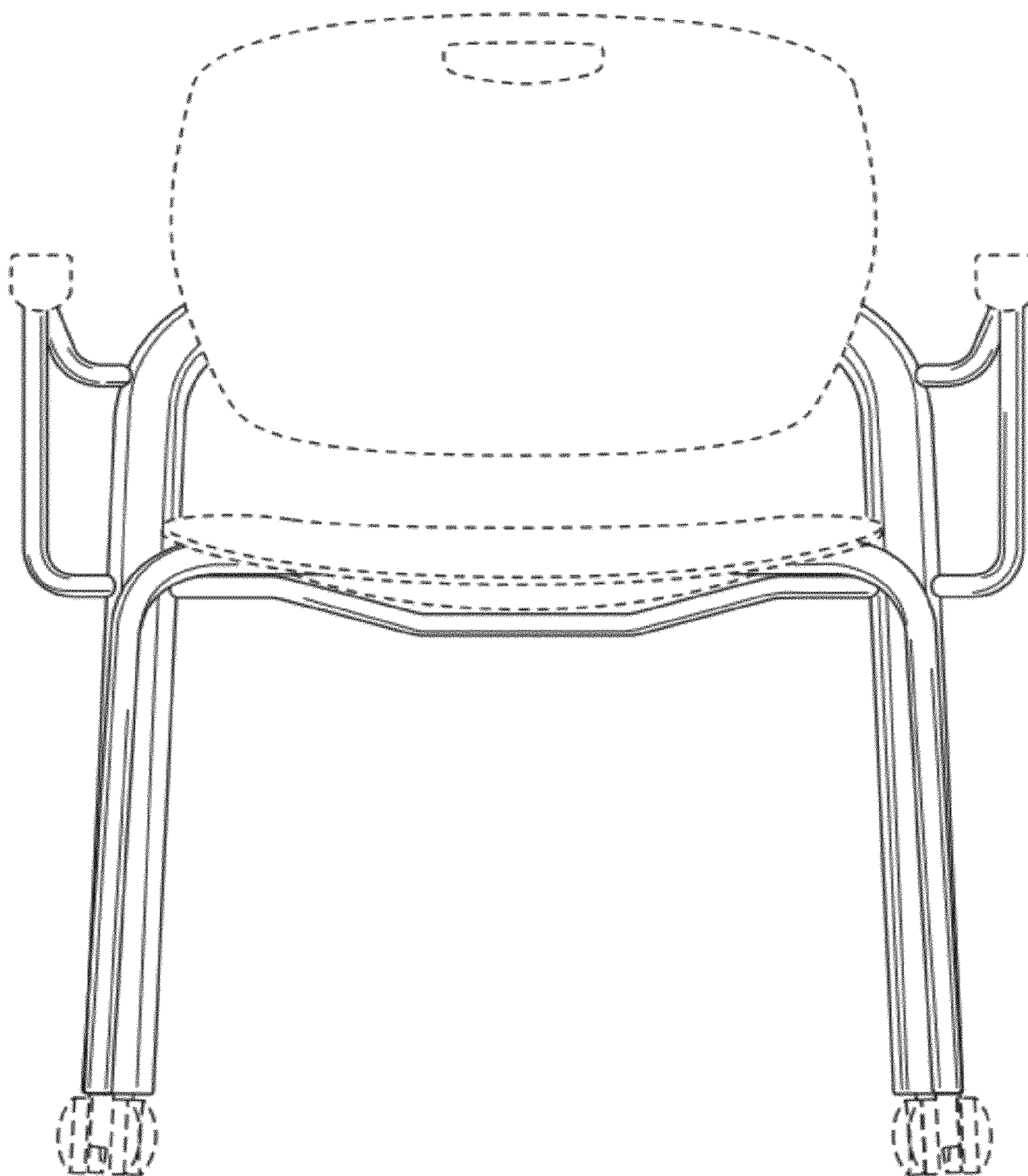


FIG. 2

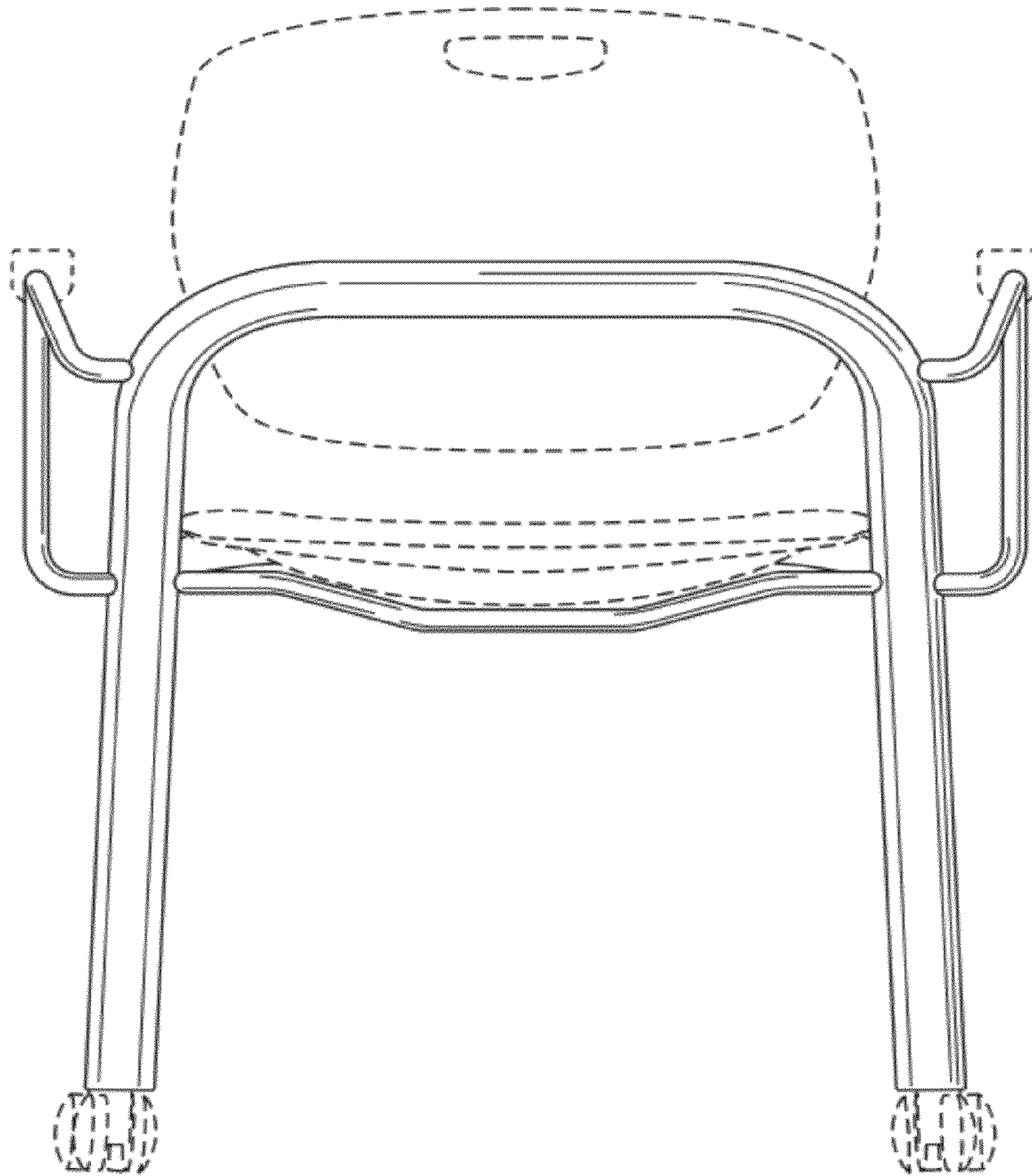


FIG. 3

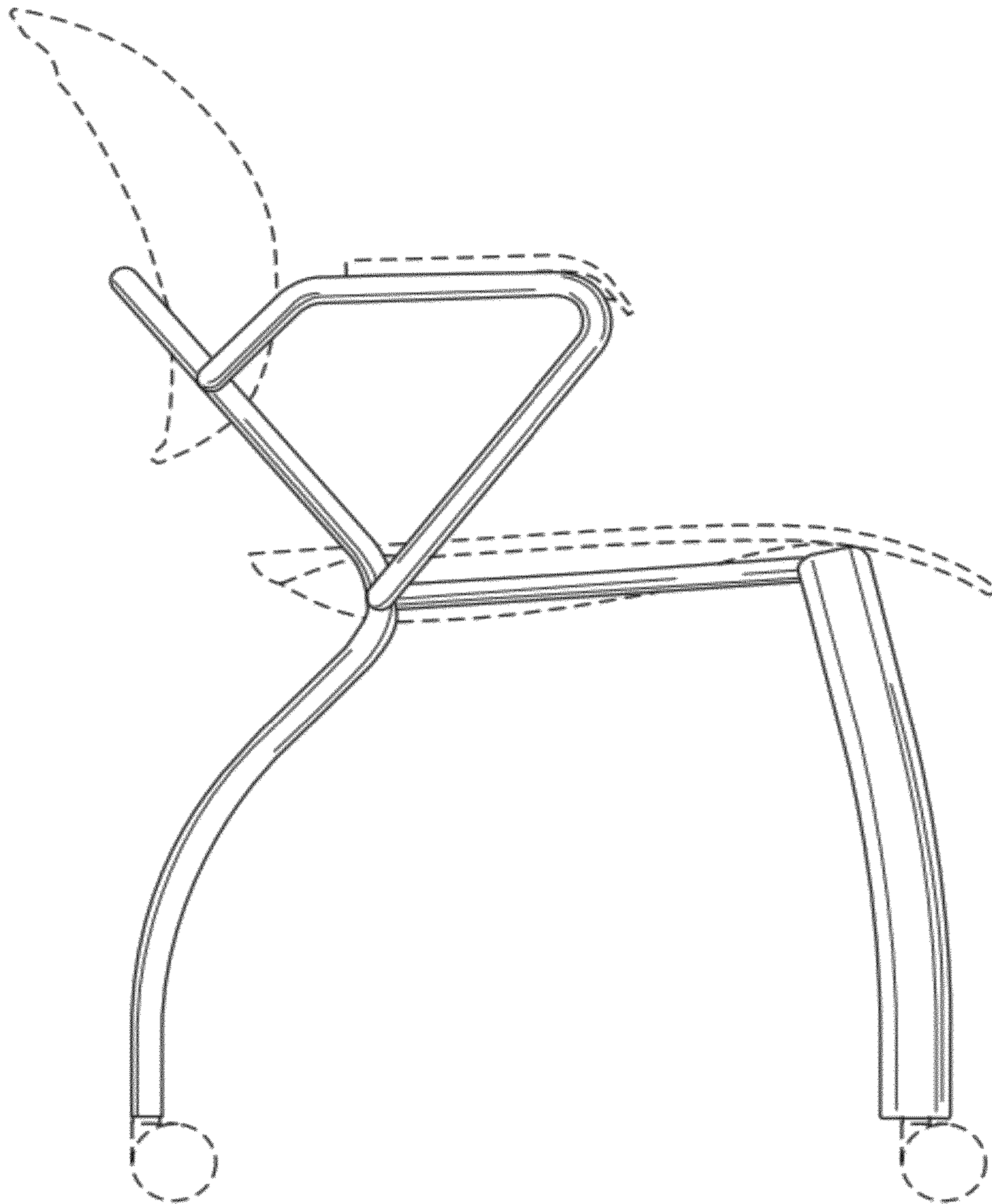


FIG. 4

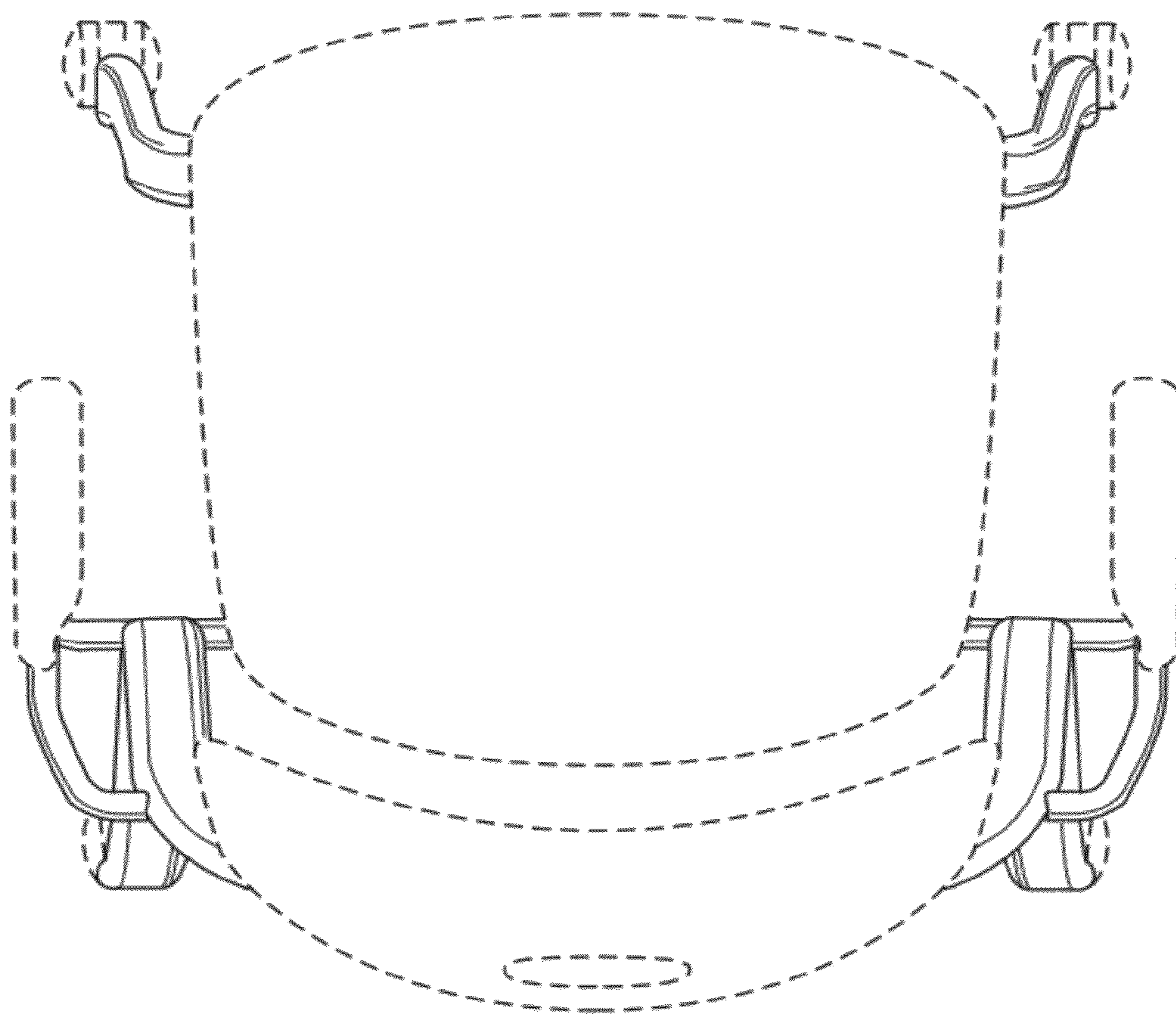


FIG. 5

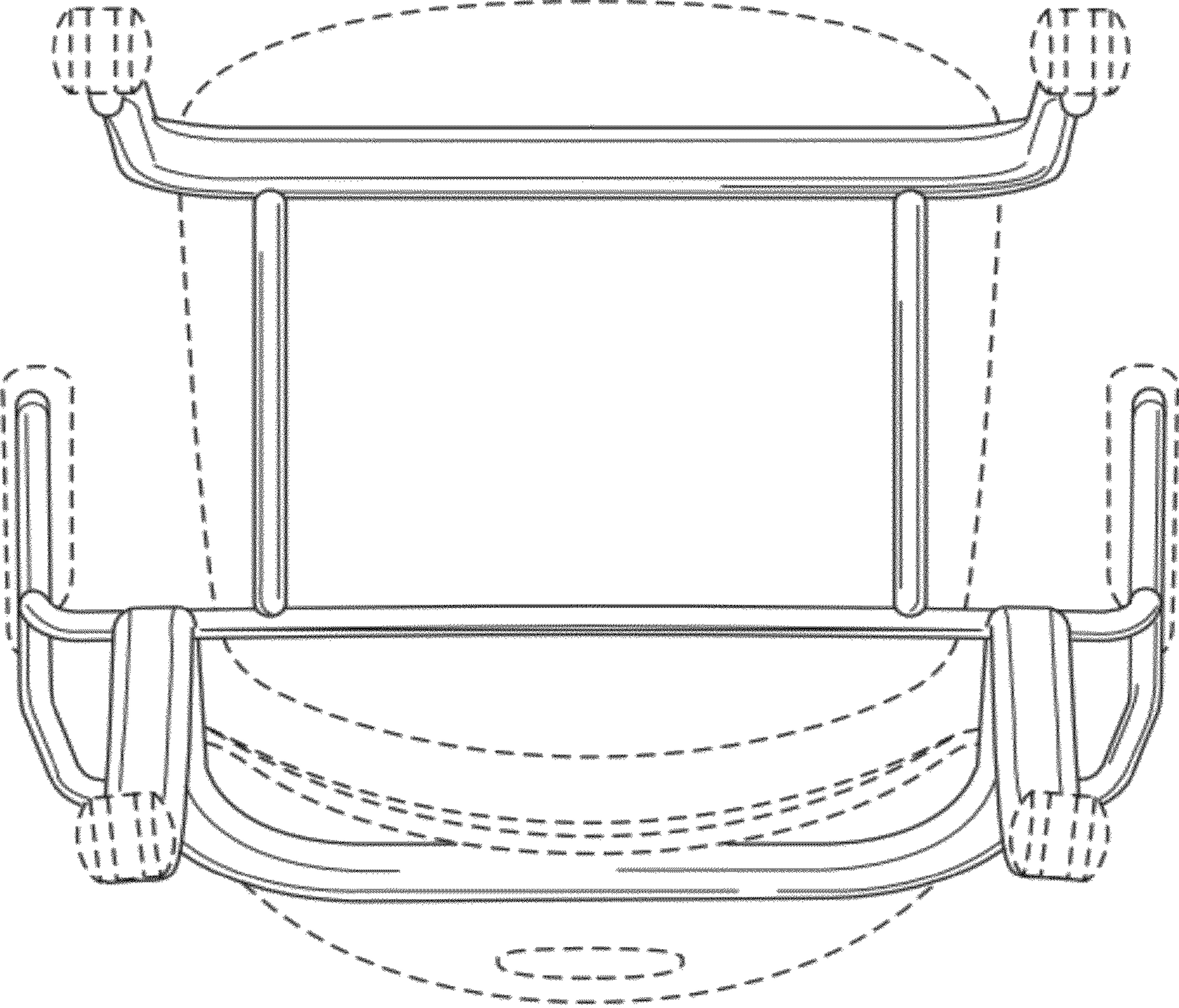


FIG. 6