



US00D674628S

(12) **United States Design Patent**
Day

(10) **Patent No.:** **US D674,628 S**
(45) **Date of Patent:** **** Jan. 22, 2013**

(54) **CHAIR FRAME**

(75) Inventor: **Maxwell Day**, Hawthorn (AU)

(73) Assignee: **Leisurelife (Aust.) Pty. Ltd.**, Hawthorn, Victoria (AU)

(**) Term: **14 Years**

(21) Appl. No.: **29/402,808**

(22) Filed: **Sep. 27, 2011**

(30) **Foreign Application Priority Data**

Mar. 29, 2011 (AU) 11354/2011

(51) **LOC (9) Cl.** **06-01**

(52) **U.S. Cl.** **D6/500; D6/368**

(58) **Field of Classification Search** D6/334-336, D6/367, 368, 374, 375, 379, 500-502; 297/16.1, 297/16.2, 45, 46, 53, 55, 56, 57, 452.12, 297/452.13, 452.19, 452.2, 452.56; 248/164
See application file for complete search history.

(56) **References Cited**

U.S. PATENT DOCUMENTS

3,635,520	A *	1/1972	Roher et al.	297/45
5,984,406	A *	11/1999	Lee	297/16.2
6,082,813	A *	7/2000	Chen	297/16.2
D430,976	S *	9/2000	Tow	D6/374
D432,325	S *	10/2000	Zheng et al.	D6/368
6,179,374	B1 *	1/2001	Tang	297/45
6,231,119	B1 *	5/2001	Zheng	297/16.2

6,270,156	B1 *	8/2001	Metzger et al.	297/16.2
6,382,715	B1 *	5/2002	Tang	297/16.2
6,419,311	B1 *	7/2002	Tang	297/45
6,644,731	B2 *	11/2003	Tang	297/16.2
6,682,135	B2 *	1/2004	Zheng	297/16.2
D486,310	S *	2/2004	Goldy	D6/335
6,755,462	B2 *	6/2004	Zheng	297/45
6,814,403	B2 *	11/2004	Zheng	297/45
6,899,383	B2 *	5/2005	Hwang	297/16.2
7,066,534	B2 *	6/2006	Choi	297/16.2
7,070,230	B2 *	7/2006	Chen	297/16.2
7,073,852	B1 *	7/2006	Zheng	297/16.2
D529,728	S *	10/2006	Le Gal	D6/368
7,229,128	B2 *	6/2007	Lee	297/16.2
D612,624	S *	3/2010	Lovley et al.	D6/368

* cited by examiner

Primary Examiner — Mimoso De

(74) *Attorney, Agent, or Firm* — Fennemore Craig, P.C.

(57) **CLAIM**

The ornamental design for a chair frame, as shown and described.

DESCRIPTION

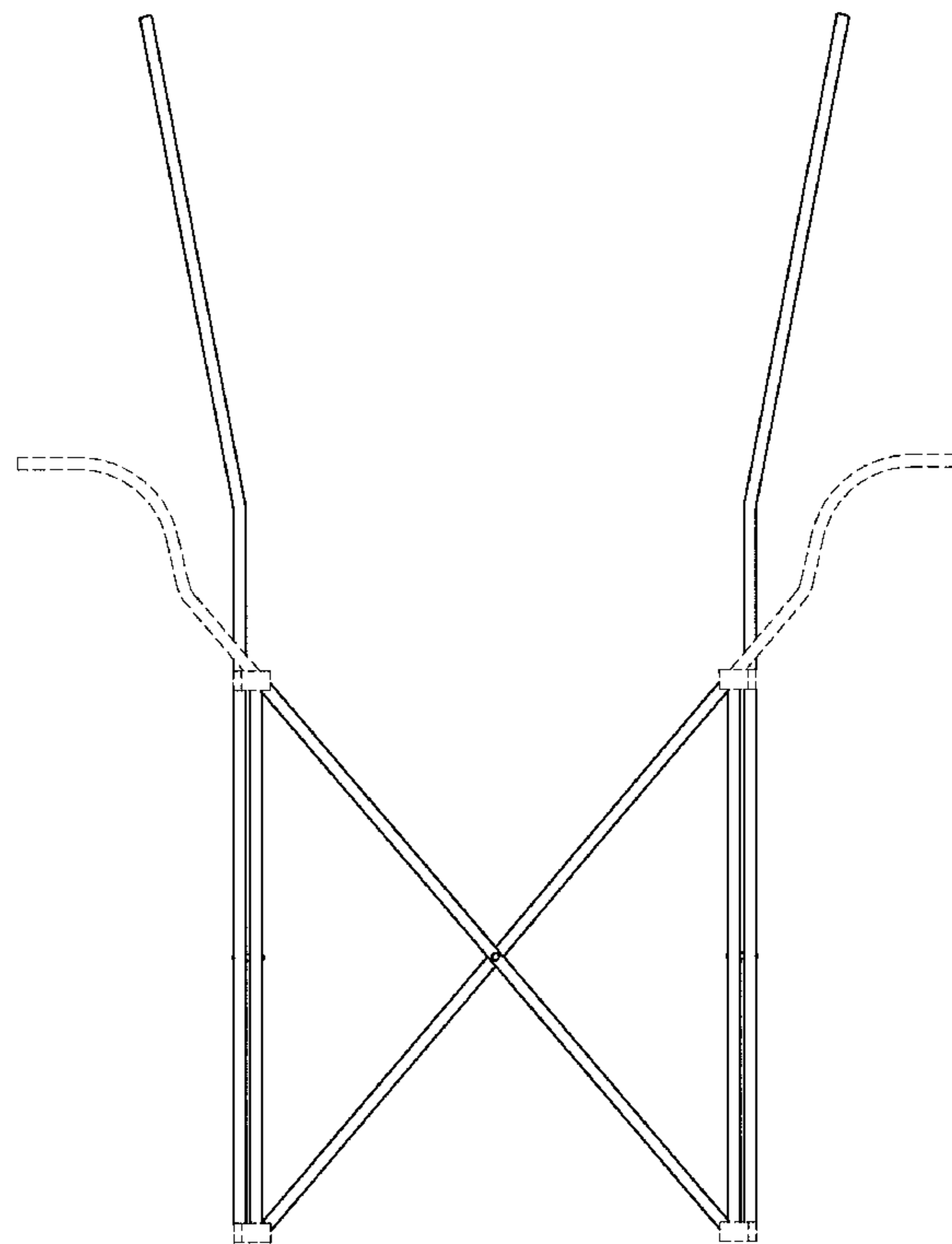
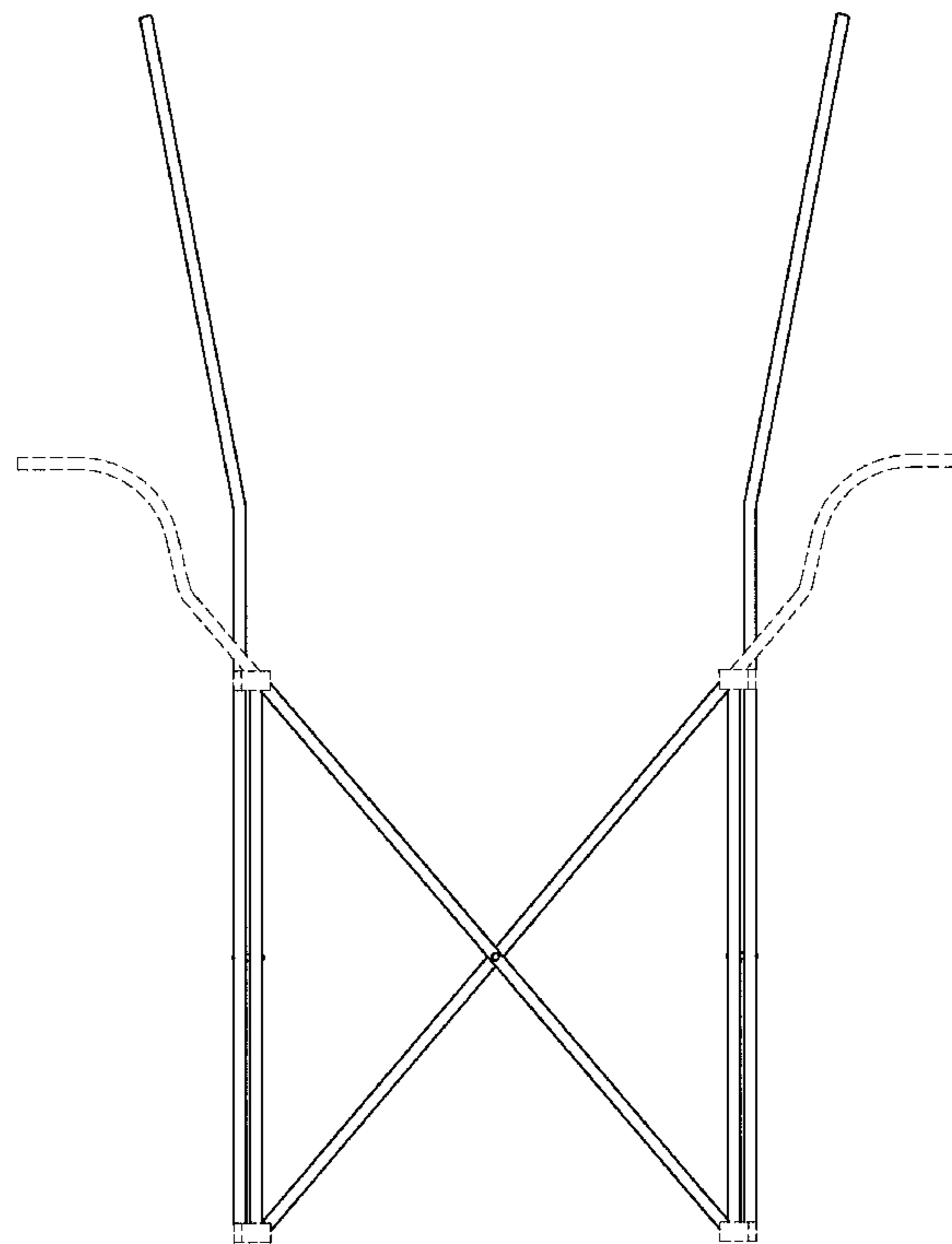
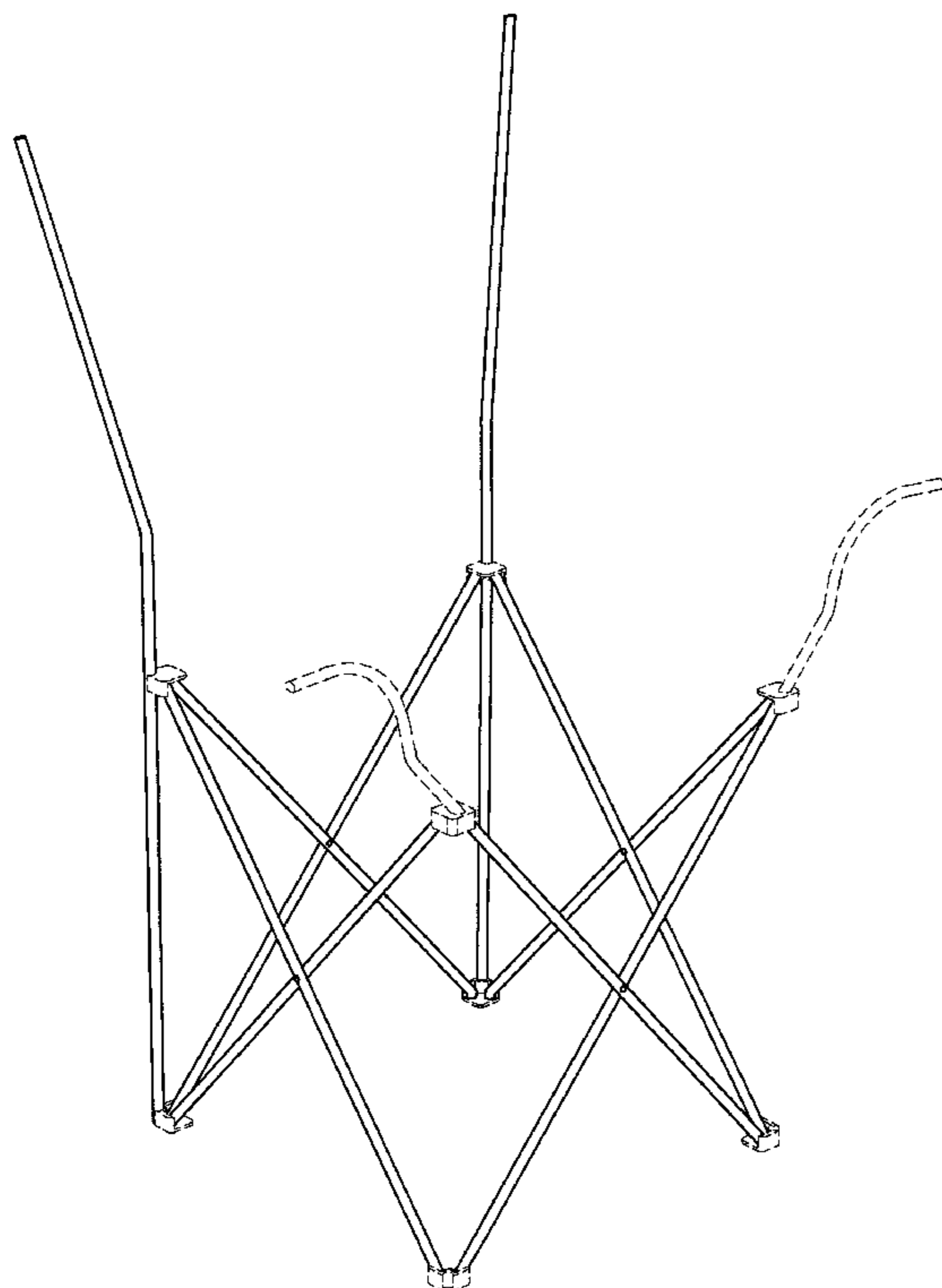
FIG. 1 is a front perspective view of the chair frame;

FIG. 2 is a front view; and,

FIG. 3 is a left side view. The right side view is a mirror image of the left side view.

In FIGS. 1-3 the arms of the chair are shown in broken lines for illustrative purpose only and form no part of the claimed design.

1 Claim, 3 Drawing Sheets



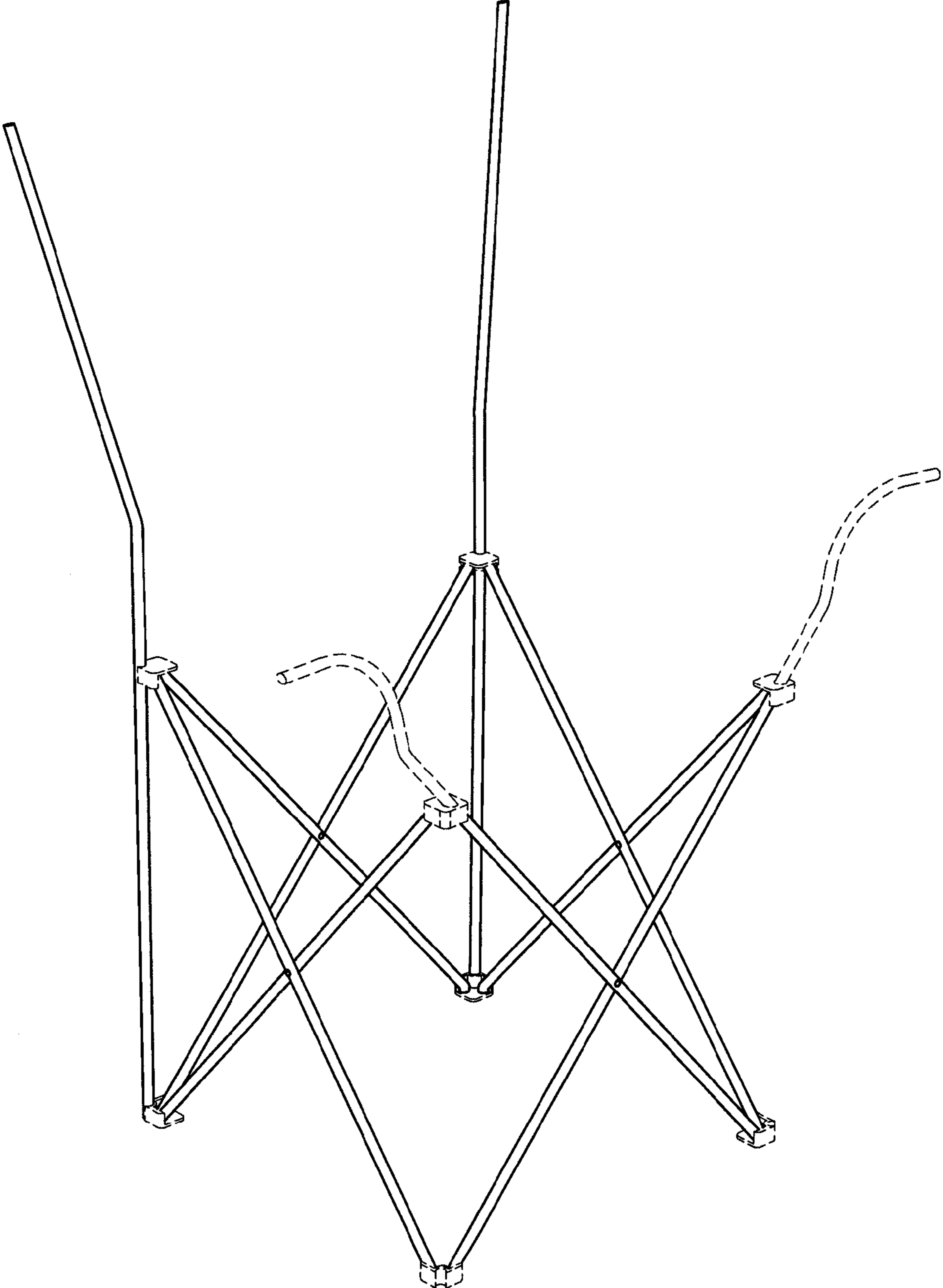


FIG. 1

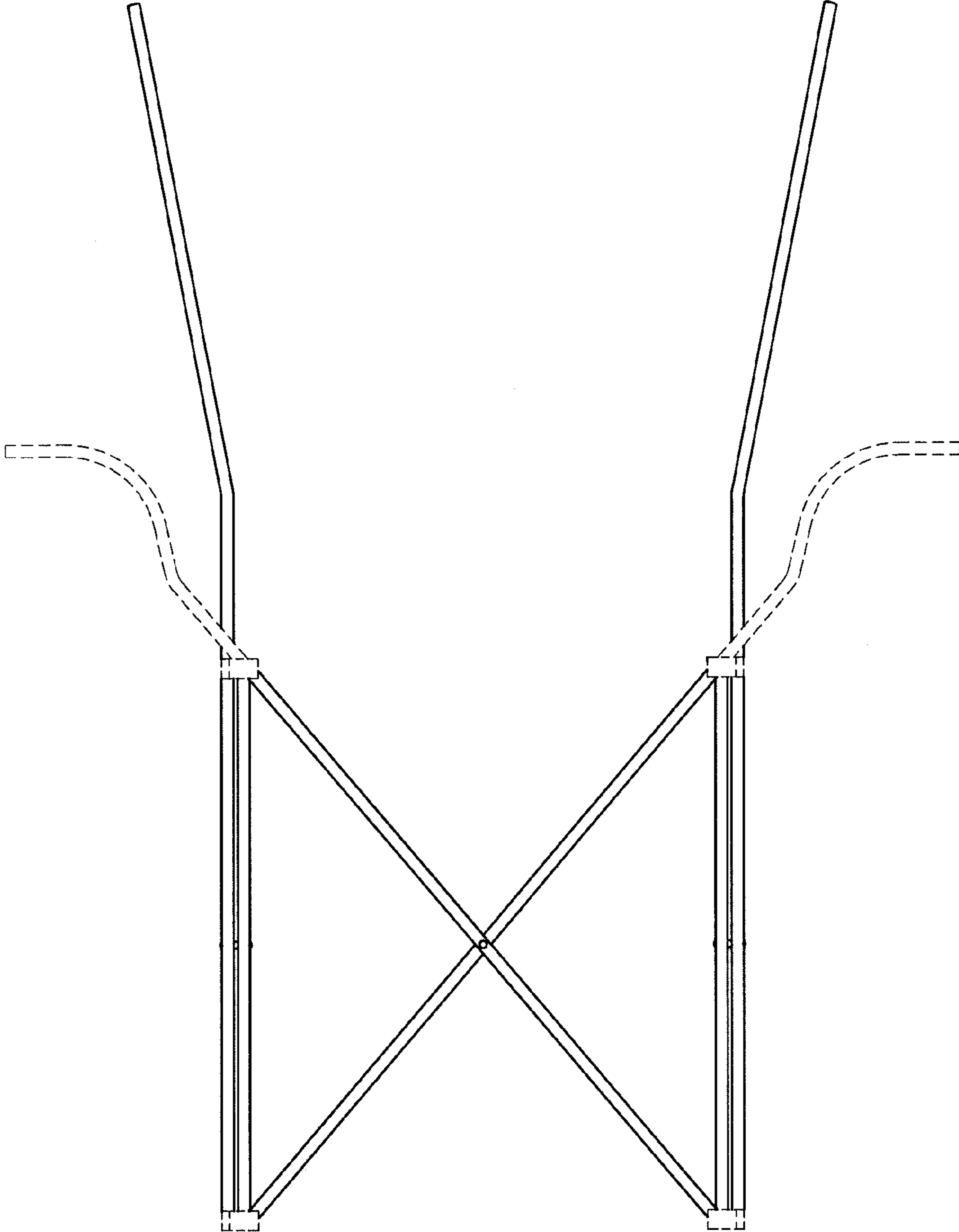


FIG. 2

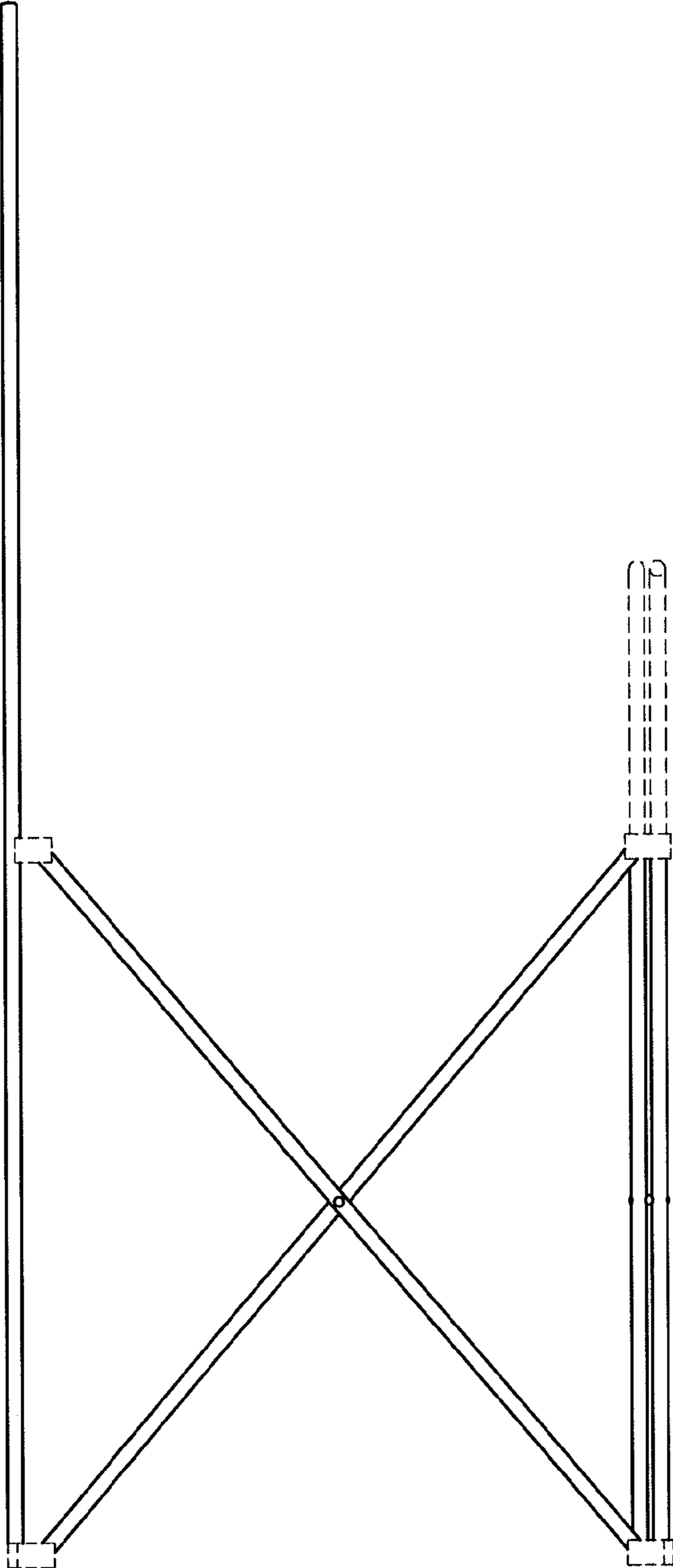


FIG. 3