



US00D674627S

(12) **United States Design Patent**
Mecherle et al.

(10) **Patent No.:** **US D674,627 S**
(45) **Date of Patent:** **** Jan. 22, 2013**

(54) **FURNITURE SUPPORT**

(75) Inventors: **Dave Mecherle**, Orland Hills, IL (US);
Arkady Tsorin, Buffalo Grove, IL (US);
Cary Brown, Round Lake, IL (US);
Philip Sopicki, Glenview, IL (US);
Morad Ghassemian, Oak Park, IL (US)

(73) Assignee: **Bretford Manufacturing**, Franklin Park, IL (US)

(**) Term: **14 Years**

(21) Appl. No.: **29/412,671**

(22) Filed: **Feb. 7, 2012**

(51) **LOC (9) Cl.** **06-06**

(52) **U.S. Cl.** **D6/496**

(58) **Field of Classification Search** D6/480-489,
D6/495-499, 429, 422, 425, 426; 108/153.1,
108/155, 156, 157.1, 161, 50.01, 50.02, 147.21,
108/147.19; 248/188, 188.1, 188.8, 423,
248/188.5

See application file for complete search history.

(56) **References Cited**

U.S. PATENT DOCUMENTS

3,701,506 A * 10/1972 Marcel Favreau 248/188.5
3,855,946 A * 12/1974 Bales 108/147.21

D498,091 S * 11/2004 Winter et al. D6/495
6,923,410 B2 * 8/2005 Chang 248/188.5
D560,084 S * 1/2008 Glass et al. D6/499
D563,697 S * 3/2008 Glass et al. D6/499
2002/0148394 A1 * 10/2002 Strong 108/147.21

* cited by examiner

Primary Examiner — Janice Seeger

(74) *Attorney, Agent, or Firm* — Anderson Gorecki & Rouille LLP

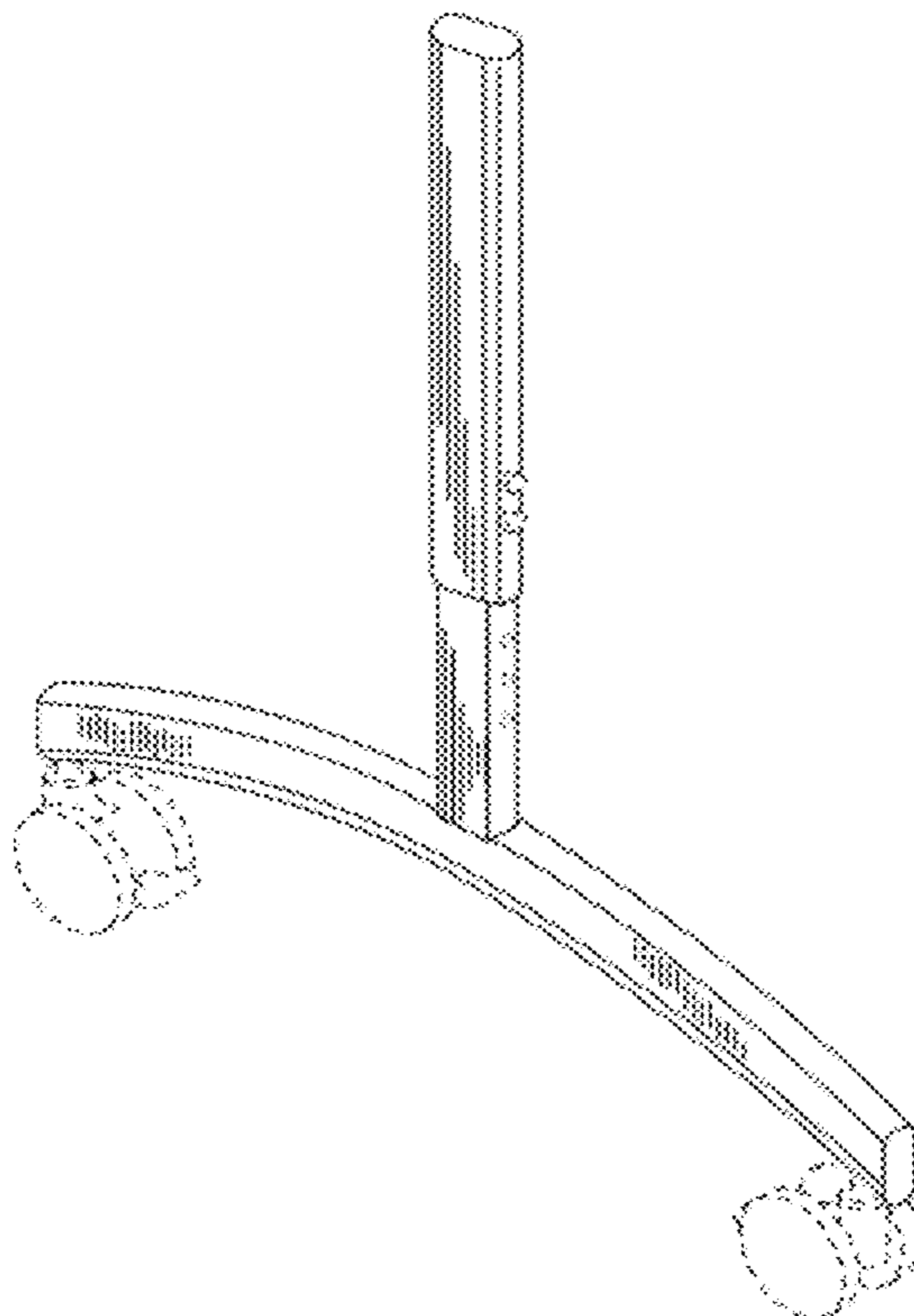
(57) **CLAIM**

The ornamental design for a furniture support, as shown and described.

DESCRIPTION

FIG. 1 is a front perspective view of a furniture support; FIG. 2 is a right view of the furniture support of FIG. 1; FIG. 3 is a left view of the furniture support of FIG. 1; FIG. 4 is a top plan view of the furniture support of FIG. 1; FIG. 5 is a bottom plan view of the furniture support of FIG. 1; FIG. 6 is a front view of the furniture support of FIG. 1; and, FIG. 7 is a back view of the furniture support of FIG. 1. The broken lines shown in the drawings are for illustrative purposes only and form no part of the claimed design.

1 Claim, 5 Drawing Sheets



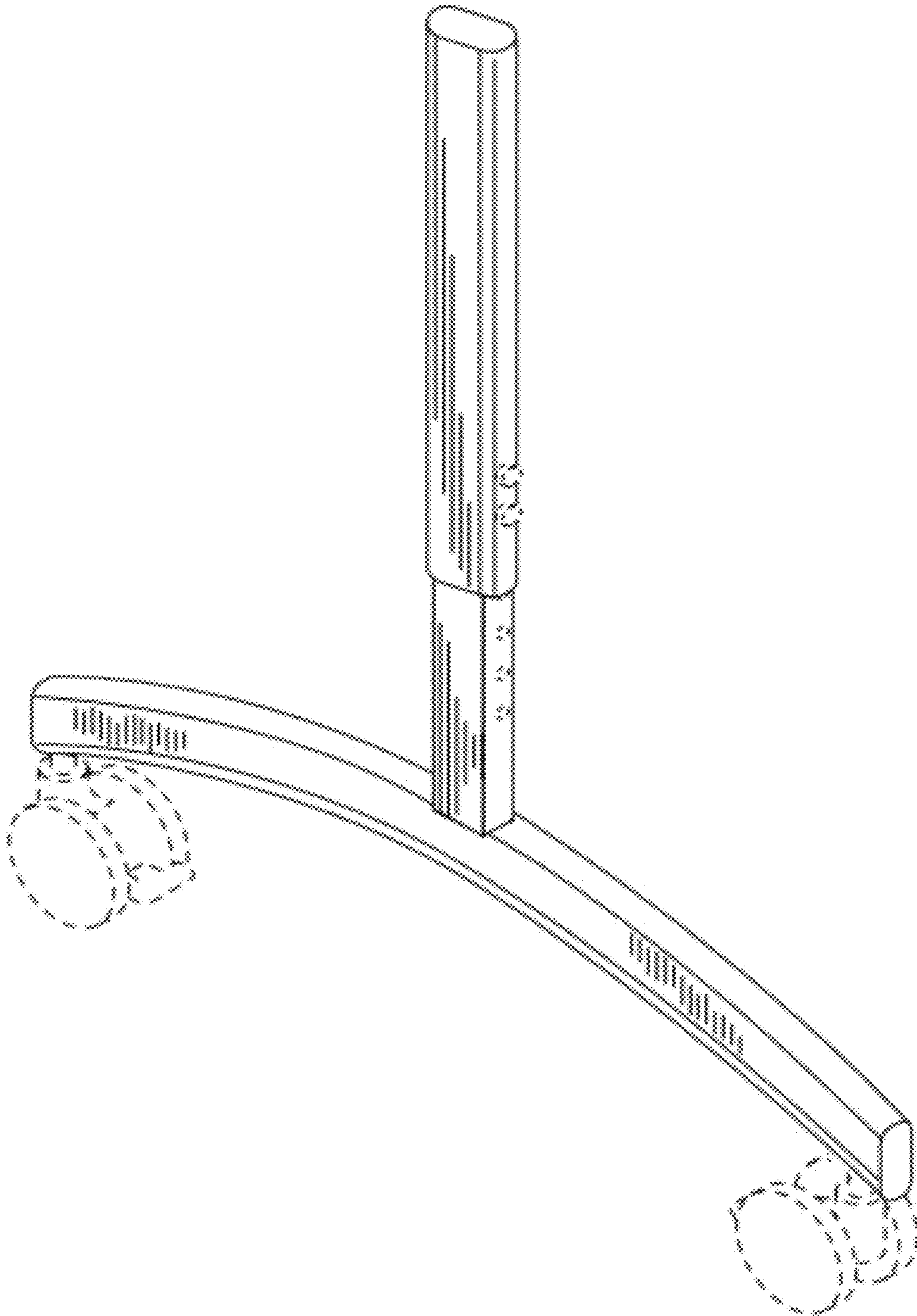


FIG. 1

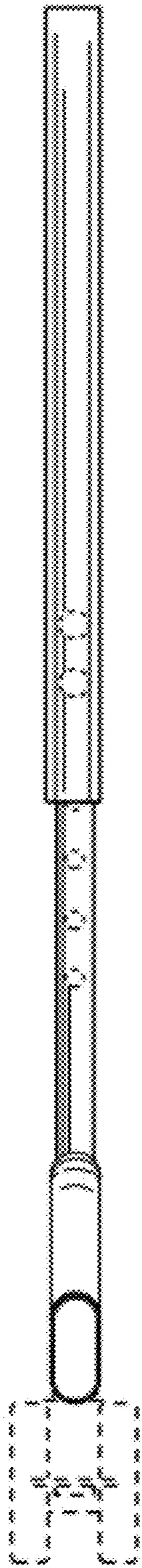


FIG. 2

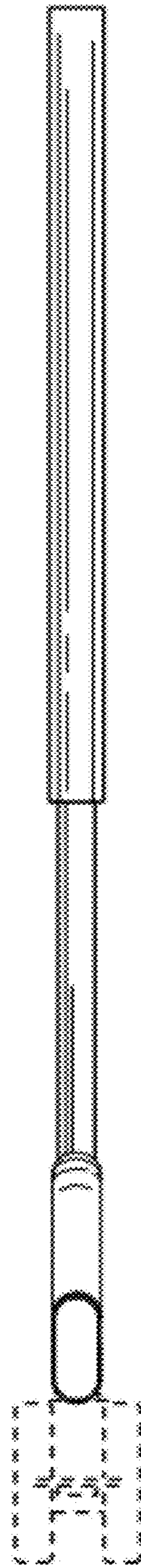


FIG. 3

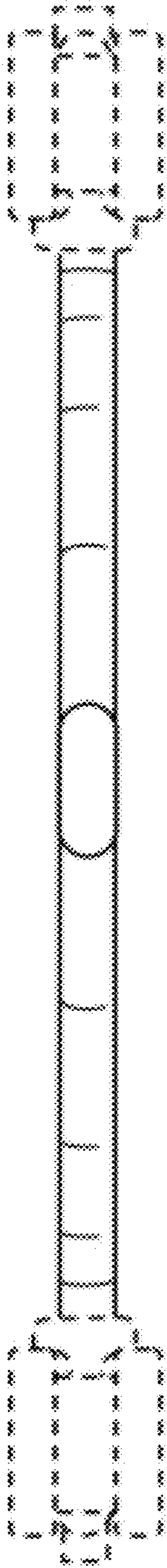


FIG. 4

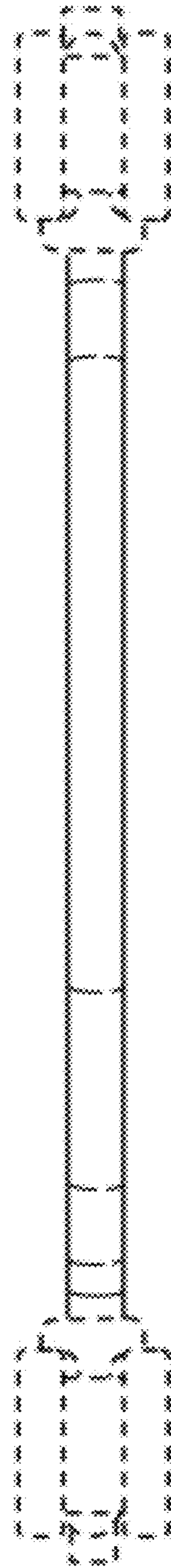


FIG. 5

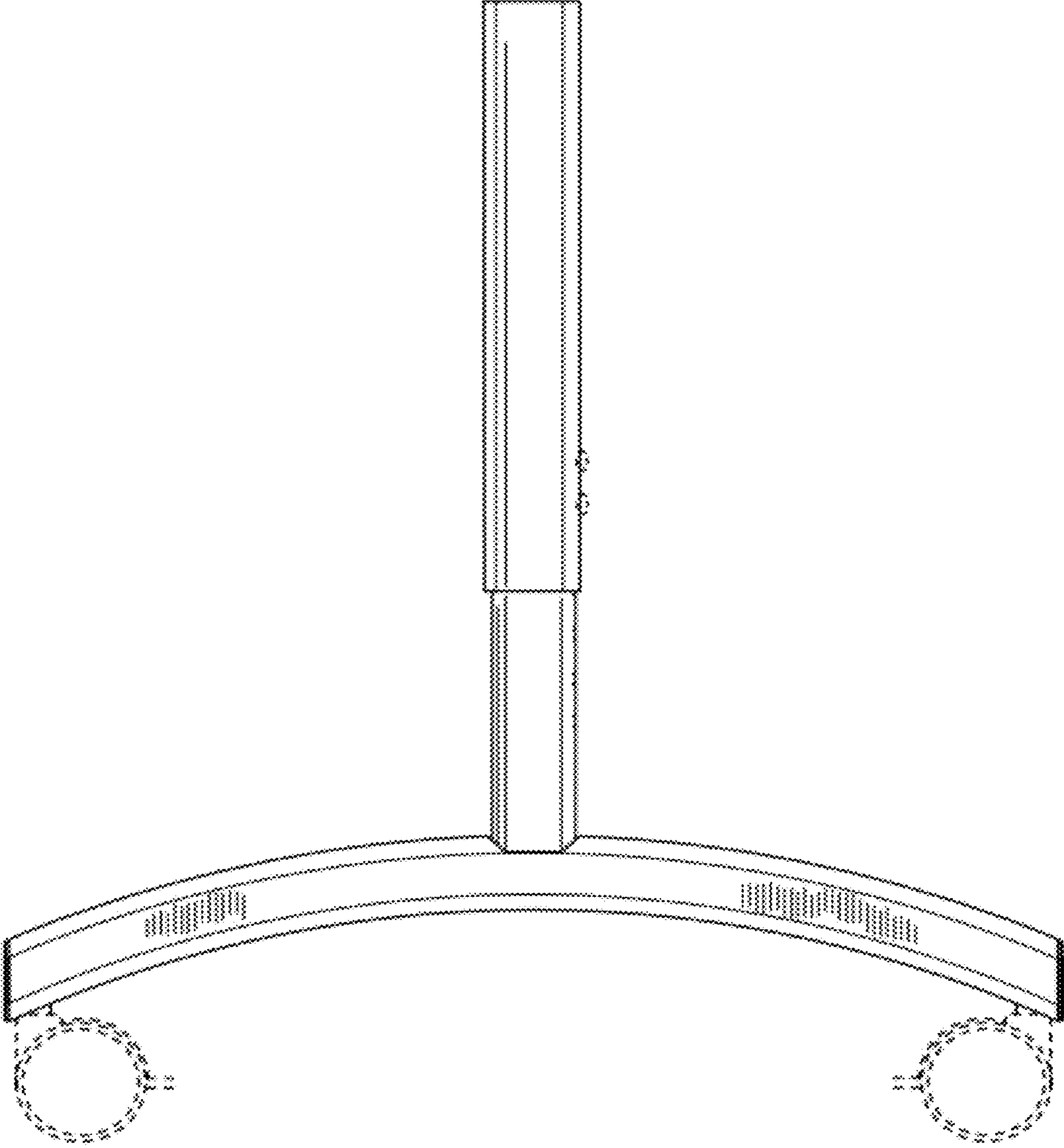


FIG. 6

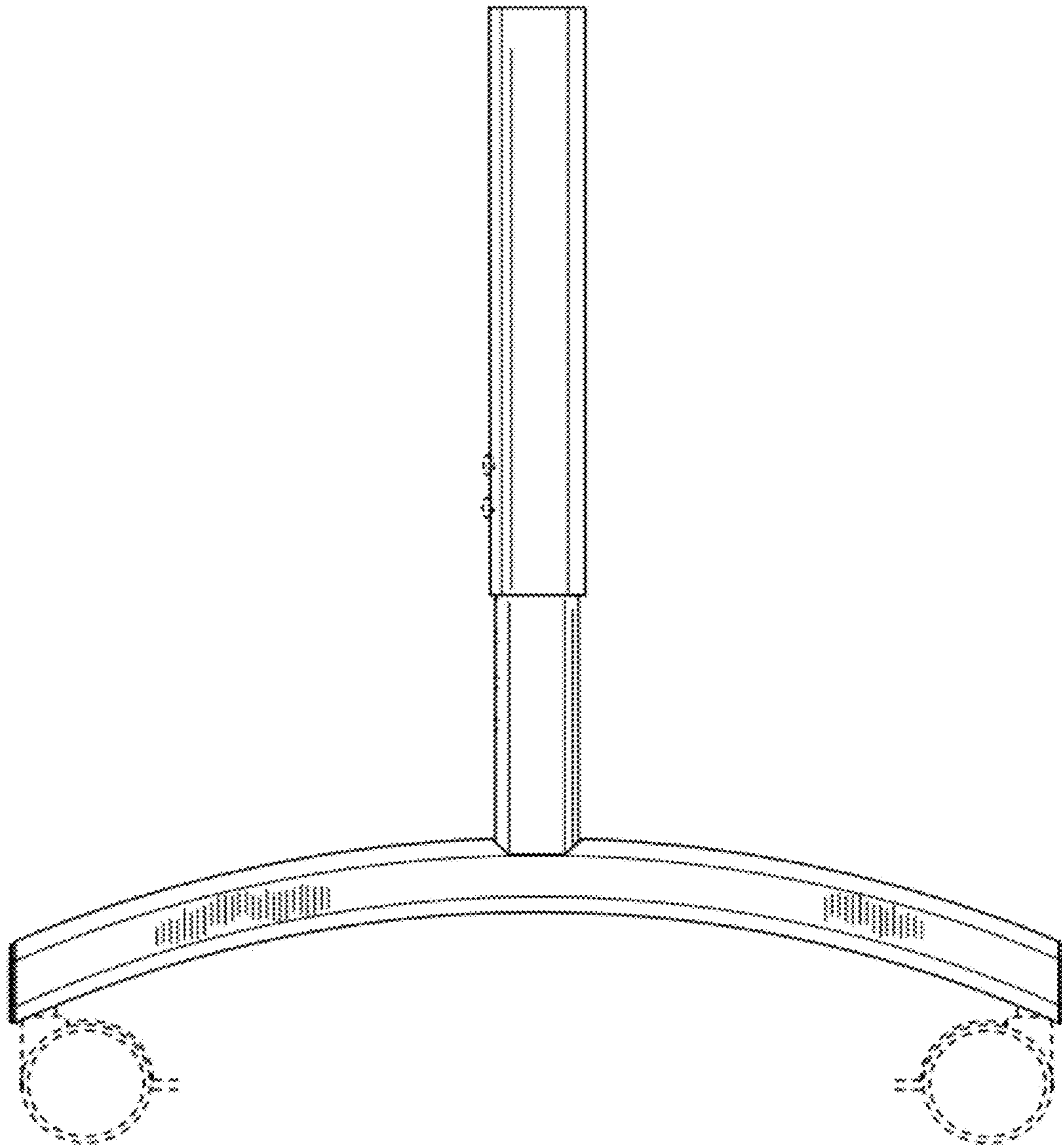


FIG. 7