



US00D674626S

(12) **United States Design Patent**  
**Gasser**

(10) **Patent No.:** **US D674,626 S**  
(45) **Date of Patent:** **\*\* Jan. 22, 2013**

(54) **COVER PANEL OF A DRAWER**

(75) Inventor: **Ingo Gasser**, Hochst (AT)

(73) Assignee: **Julius Blum GmbH**, Hochst (AT)

(\*\*) Term: **14 Years**

(21) Appl. No.: **29/396,059**

(22) Filed: **Jun. 24, 2011**

(30) **Foreign Application Priority Data**

Dec. 27, 2010 (EM) ..... 001251961-0026

(51) **LOC (9) Cl.** ..... **06-06**

(52) **U.S. Cl.** ..... **D6/492**

(58) **Field of Classification Search** ..... D6/396,  
D6/432, 441, 446, 491-492, 509-511; 211/27;  
312/348.4, 352, 330.1, 140.4, 265.6, 249.4;  
D3/297, 304, 307, 319; D14/125, 355  
See application file for complete search history.

(56) **References Cited**

U.S. PATENT DOCUMENTS

3,933,402	A *	1/1976	Peterson	.....	312/265.1
D255,741	S *	7/1980	Litchfield et al.	.....	D6/510
D298,708	S *	11/1988	Nygren	.....	D6/491
5,161,870	A *	11/1992	Mason et al.	.....	312/348.4
D336,687	S *	6/1993	Schremmer	.....	D25/138
D366,764	S *	2/1996	Hunt	.....	D6/300
D385,443	S *	10/1997	Brunner et al.	.....	D6/510
D425,734	S *	5/2000	Bauer	.....	D6/491
D549,994	S *	9/2007	Tokunaga et al.	.....	D6/492

D565,874	S *	4/2008	Oura et al.	.....	D6/510
D572,511	S *	7/2008	Bohler	.....	D6/510
D577,936	S *	10/2008	Held	.....	D6/510
D588,201	S *	3/2009	Kohagen et al.	.....	D20/42
D611,272	S *	3/2010	Daino	.....	D6/491
D625,941	S *	10/2010	Holzer	.....	D6/510
D638,237	S *	5/2011	Holzer	.....	D6/510
D645,451	S *	9/2011	Chen	.....	D14/215
D659,448	S *	5/2012	Myers et al.	.....	D6/510
D660,057	S *	5/2012	Myers et al.	.....	D6/510
2008/0061665	A1 *	3/2008	Lautenschlager	.....	312/333

\* cited by examiner

*Primary Examiner* — Kelley Donnelly

(74) *Attorney, Agent, or Firm* — Wenderoth, Lind & Ponack, L.L.P.

(57) **CLAIM**

The ornamental design for a cover panel of a drawer, as shown and described.

**DESCRIPTION**

FIG. 1 is a rear side perspective view of a cover panel of a drawer;

FIG. 2 is a front side perspective view thereof;

FIG. 3 is a rear side view thereof;

FIG. 4 is a front side view thereof;

FIG. 5 is a left side view thereof;

FIG. 6 is a right side view thereof;

FIG. 7 is a top view thereof; and,

FIG. 8 is a bottom view thereof.

**1 Claim, 8 Drawing Sheets**

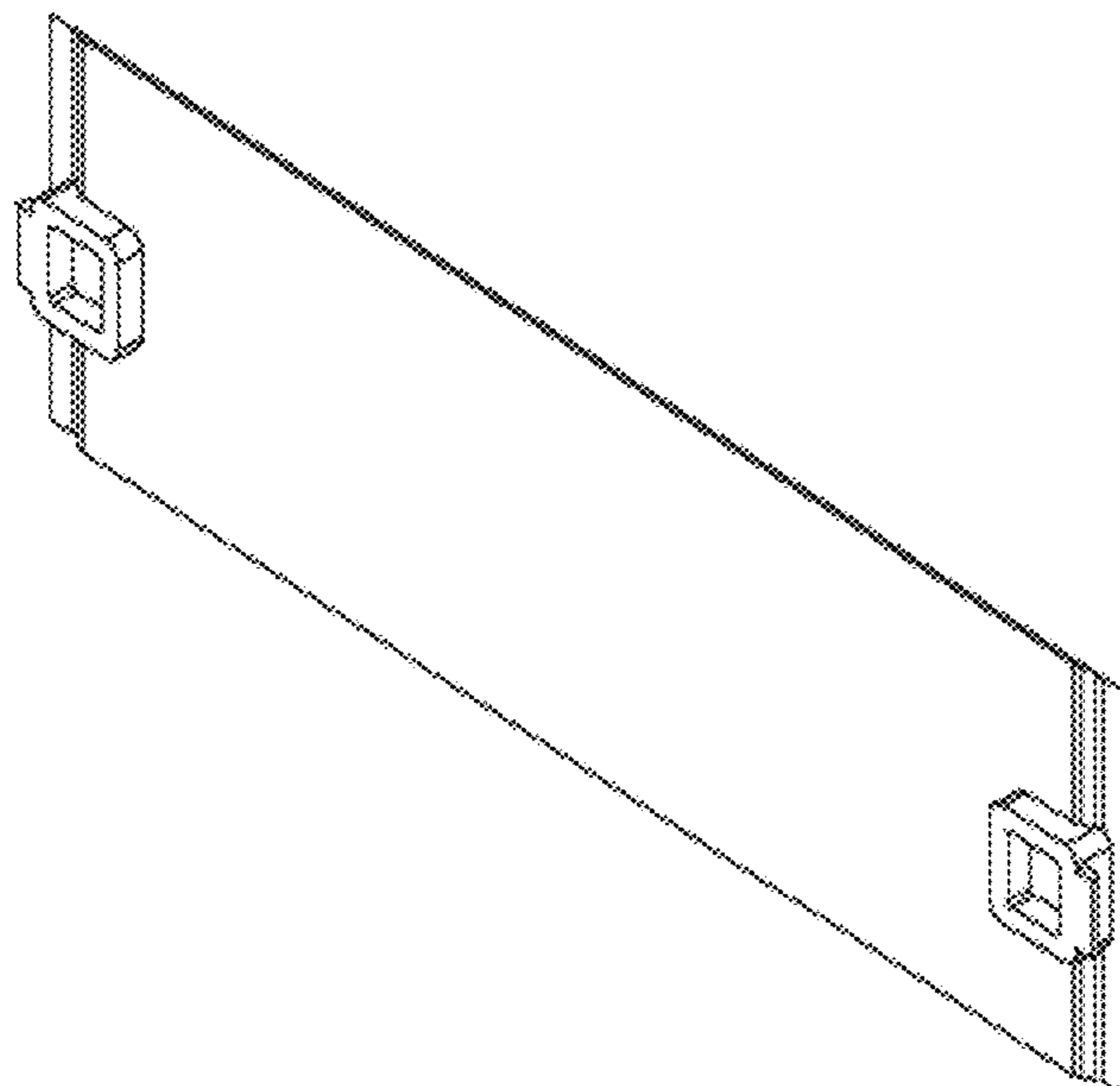


Fig. 1

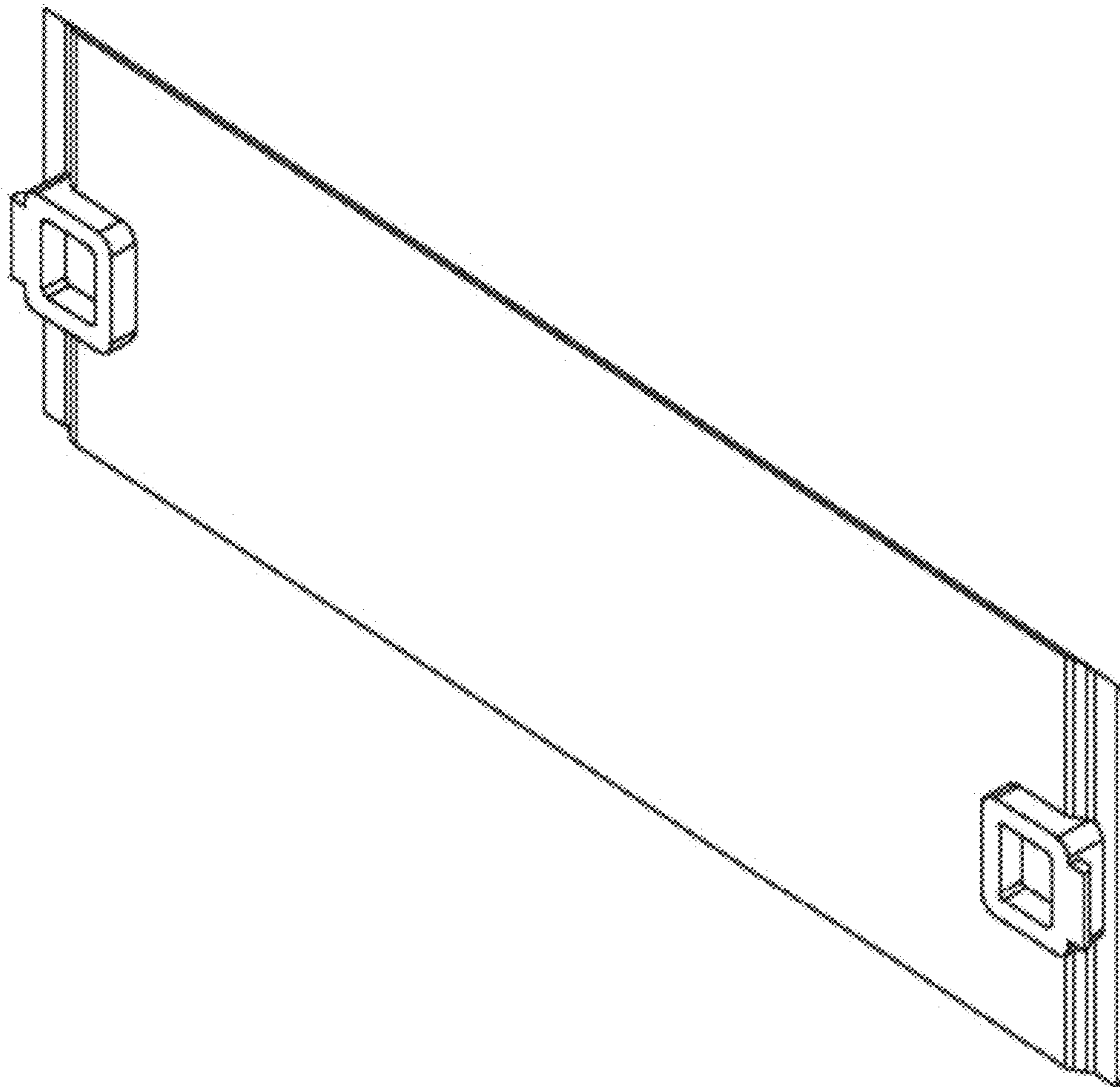


Fig. 2

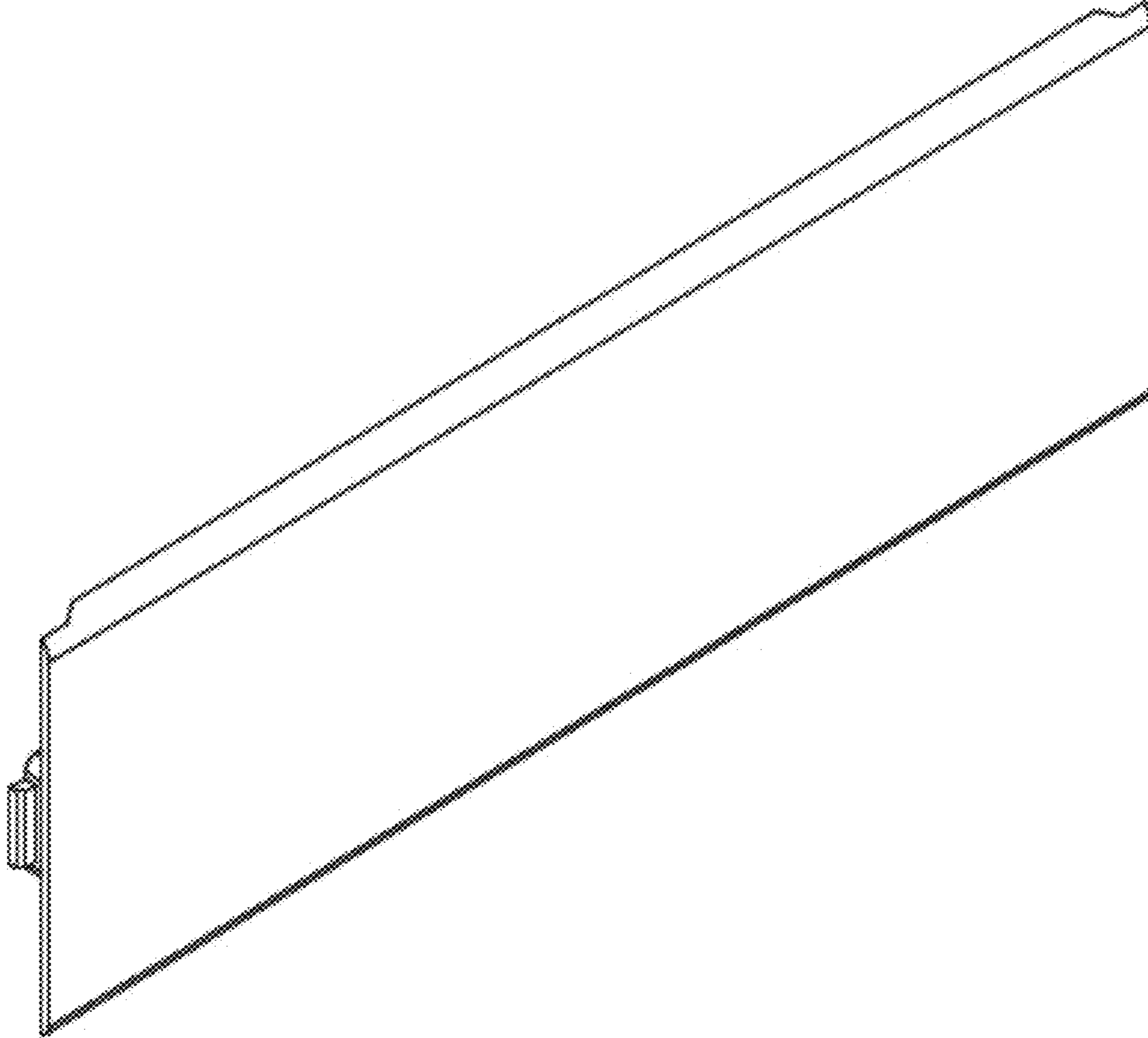


Fig. 3

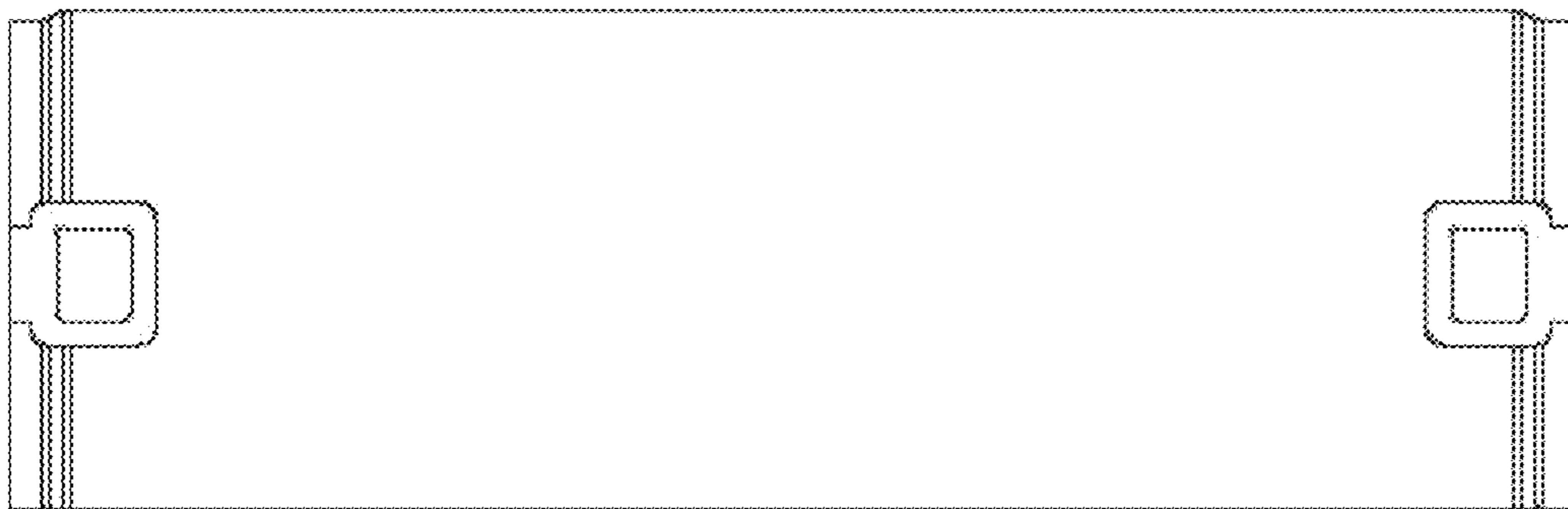


Fig. 4

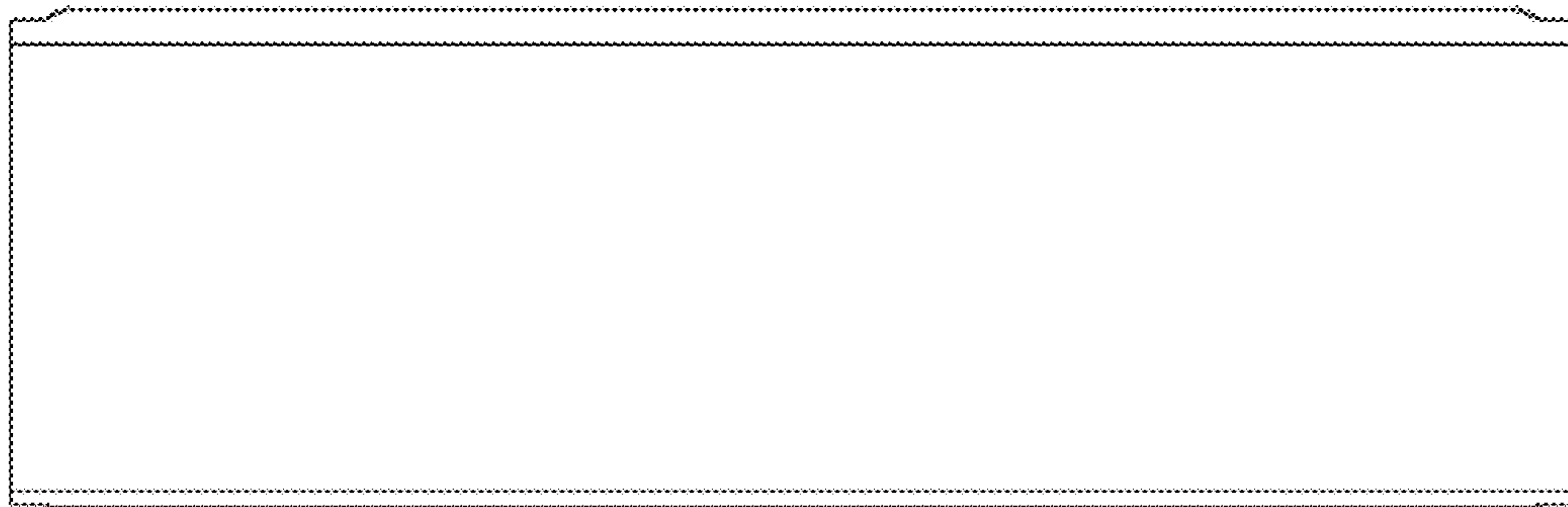


Fig. 5

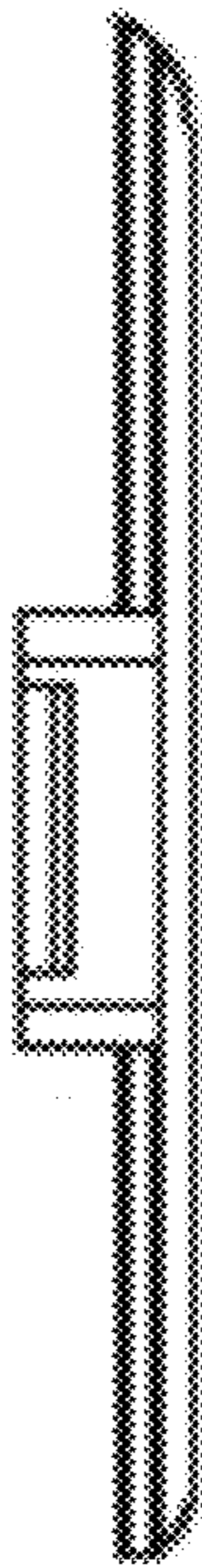


Fig. 6

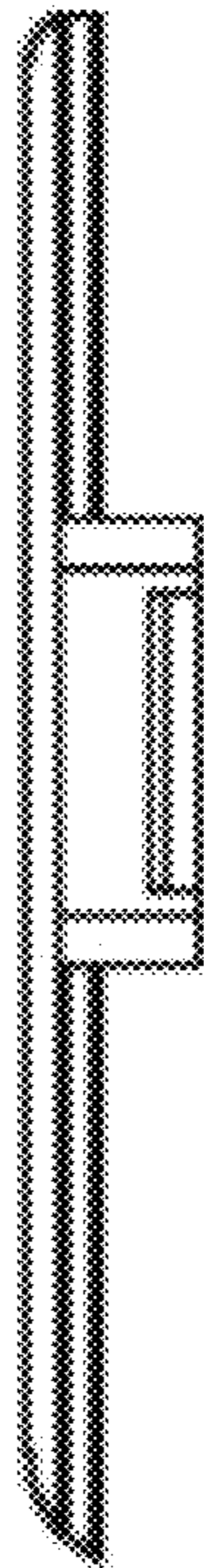


Fig. 7

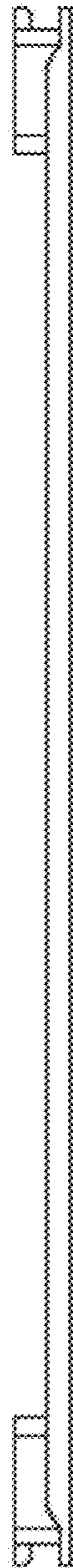




Fig. 8

