



US00D674625S

(12) **United States Design Patent**  
**Mecherle et al.**

(10) **Patent No.:** **US D674,625 S**  
(45) **Date of Patent:** **\*\* Jan. 22, 2013**

(54) **TABLE**

D383,924 S \* 9/1997 Dormon et al. .... D6/480  
D448,216 S \* 9/2001 Kolberg ..... D6/484  
7,063,024 B2 \* 6/2006 Latino ..... 108/50.01

(75) Inventors: **Dave Mecherle**, Orland Hills, IL (US);  
**Arkady Tsorin**, Buffalo Grove, IL (US);  
**Cary Brown**, Round Lake, IL (US);  
**Philip Sopicki**, Glenview, IL (US);  
**Morad Ghassemian**, Oak Park, IL (US)

\* cited by examiner

*Primary Examiner* — Janice Seeger

(73) Assignee: **Bretford Manufacturing**, Franklin Park, IL (US)

(74) *Attorney, Agent, or Firm* — Anderson Gorecki & Rouille LLP

(\*\*) Term: **14 Years**

(21) Appl. No.: **29/412,628**

(57) **CLAIM**

The ornamental design for a table, as shown and described.

(22) Filed: **Feb. 6, 2012**

(51) **LOC (9) Cl.** ..... **06-03**

(52) **U.S. Cl.** ..... **D6/480**

(58) **Field of Classification Search** ..... D6/480–489,  
D6/495–499, 429, 422, 425, 426; 108/153.1,  
108/155, 156, 157.1, 161, 50.01, 50.02, 147.21,  
108/146, 147.19, 25; 248/188, 188.1, 188.8,  
248/423, 188.5

See application file for complete search history.

**DESCRIPTION**

FIG. 1 is a front perspective view of a table;  
FIG. 2 is a front view of the table of FIG. 1;  
FIG. 3 is a rear view of the table of FIG. 1;  
FIG. 4 is a top plan view of the table of FIG. 1;  
FIG. 5 is a bottom plan view of the table of FIG. 1;  
FIG. 6 is a right view of the table of FIG. 1; and,  
FIG. 7 is a left view of the table of FIG. 1.

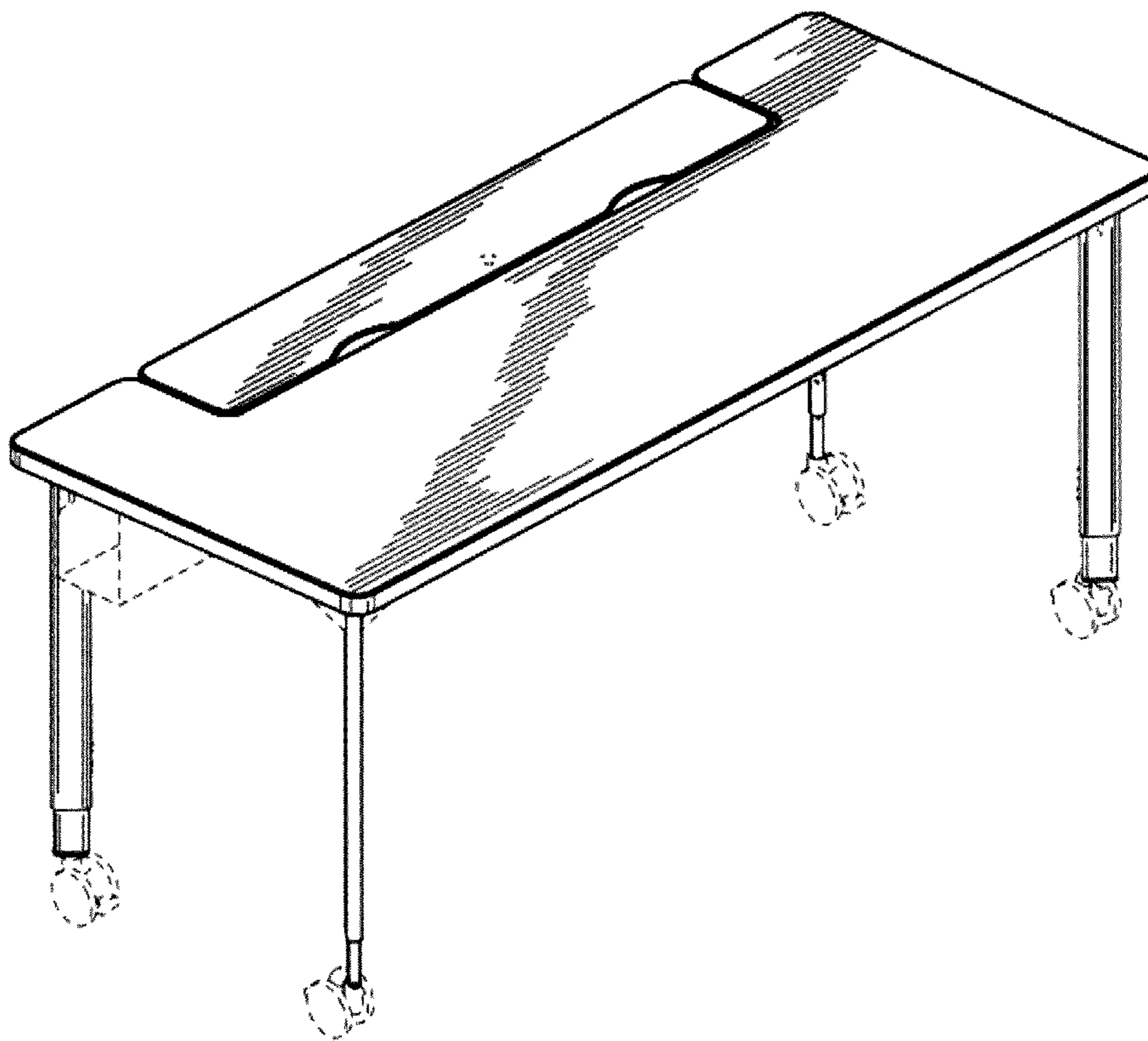
The broken lines shown in the drawings are for illustrative purposes only and form no part of the claimed design.

(56) **References Cited**

U.S. PATENT DOCUMENTS

3,367,290 A \* 2/1968 Barecki ..... 108/50.01  
D289,954 S \* 5/1987 Worrell et al. .... D6/511

**1 Claim, 6 Drawing Sheets**



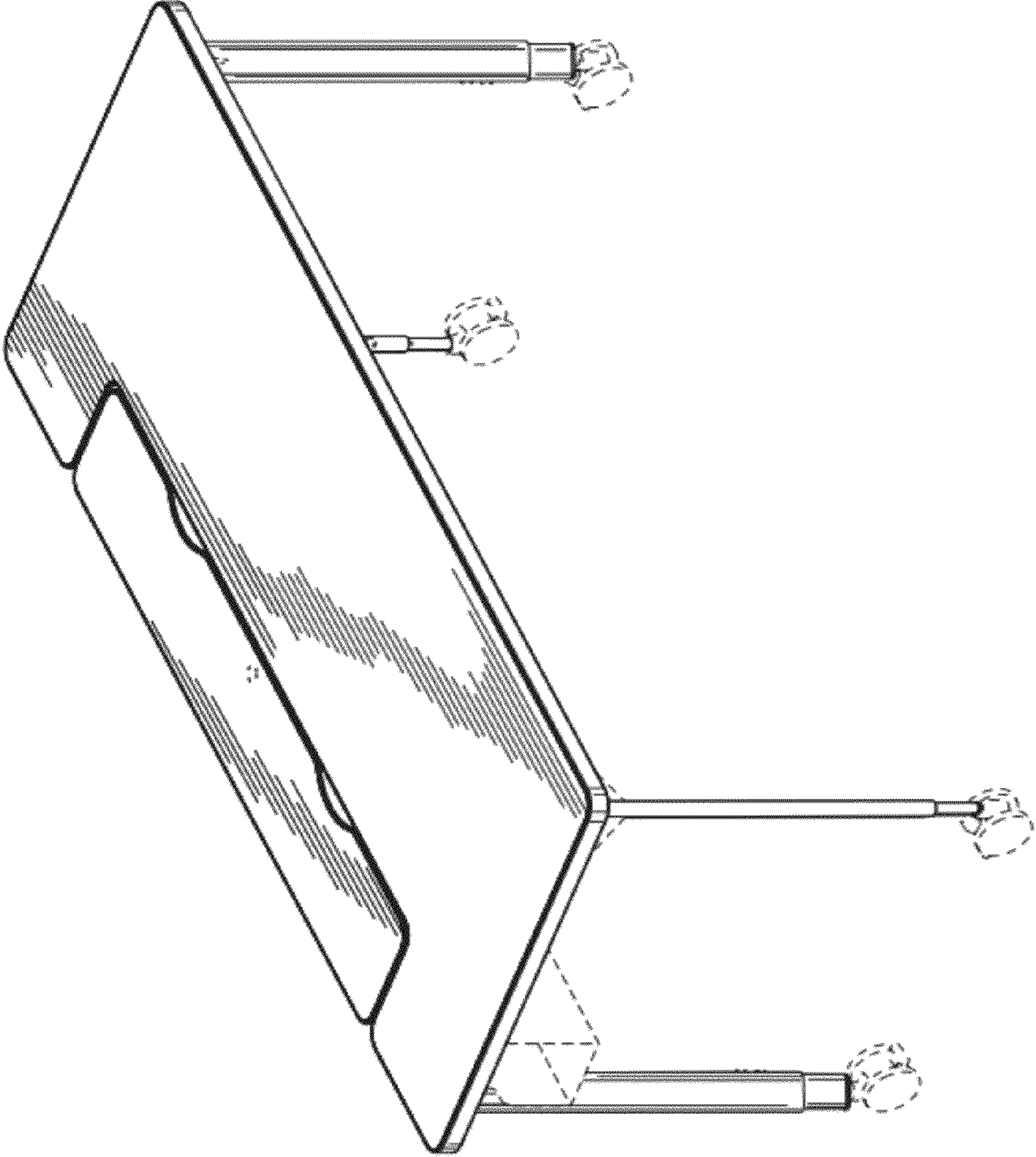


FIG. 1

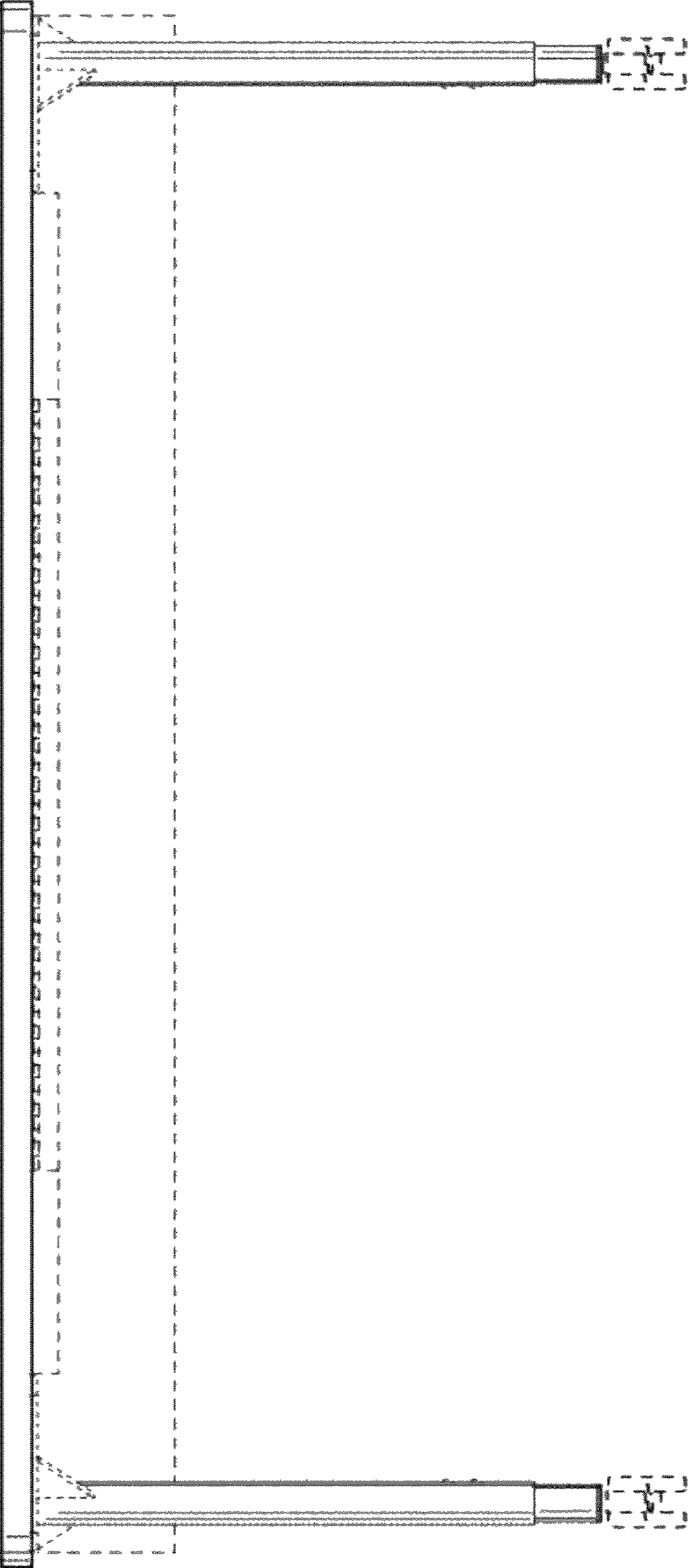


FIG. 2



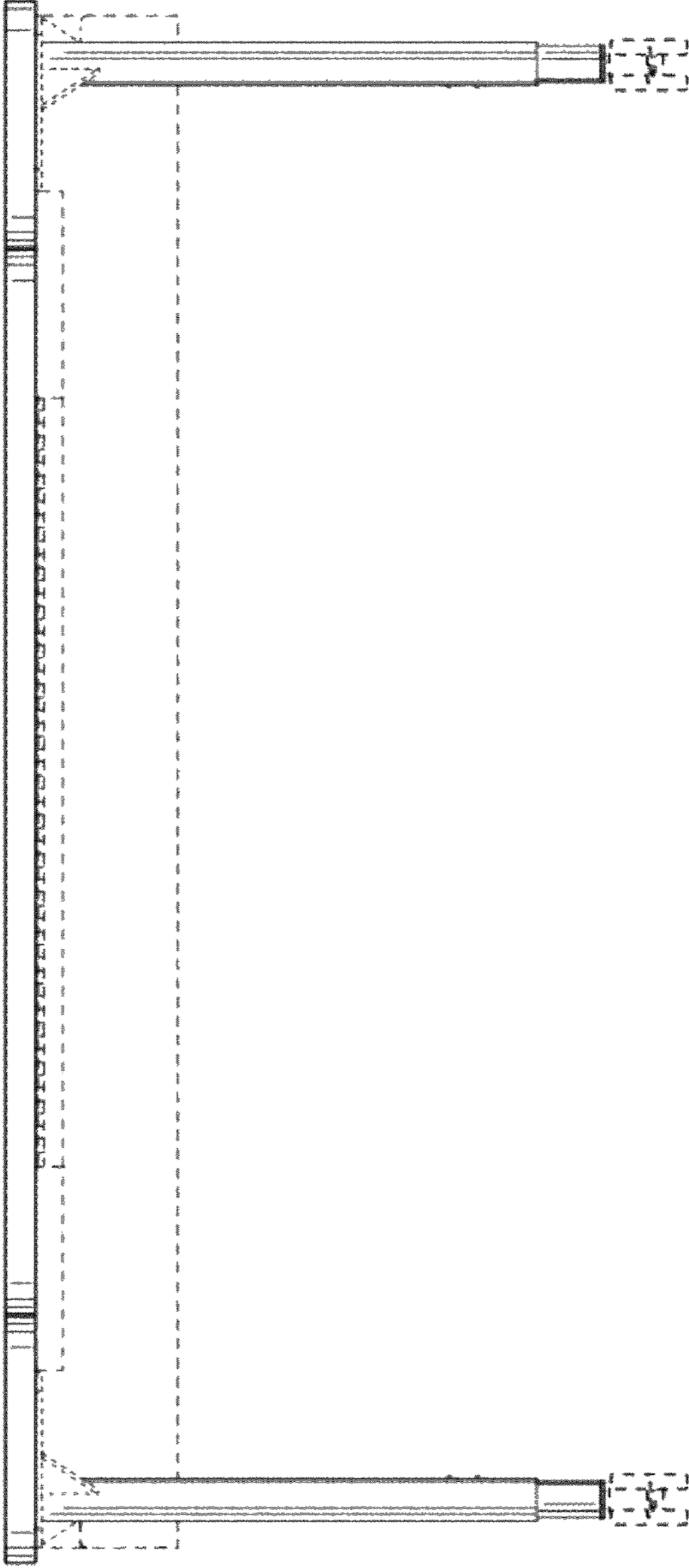


FIG. 3

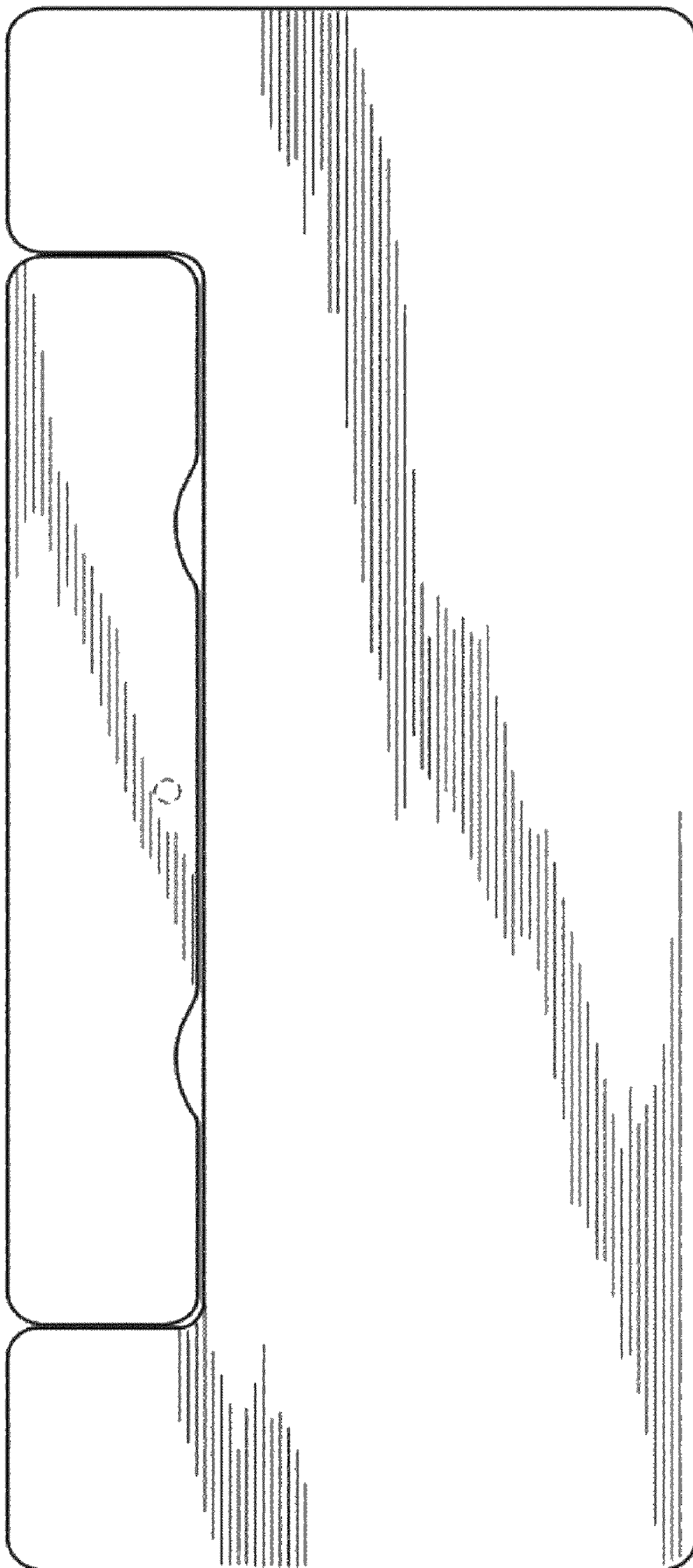


FIG. 4



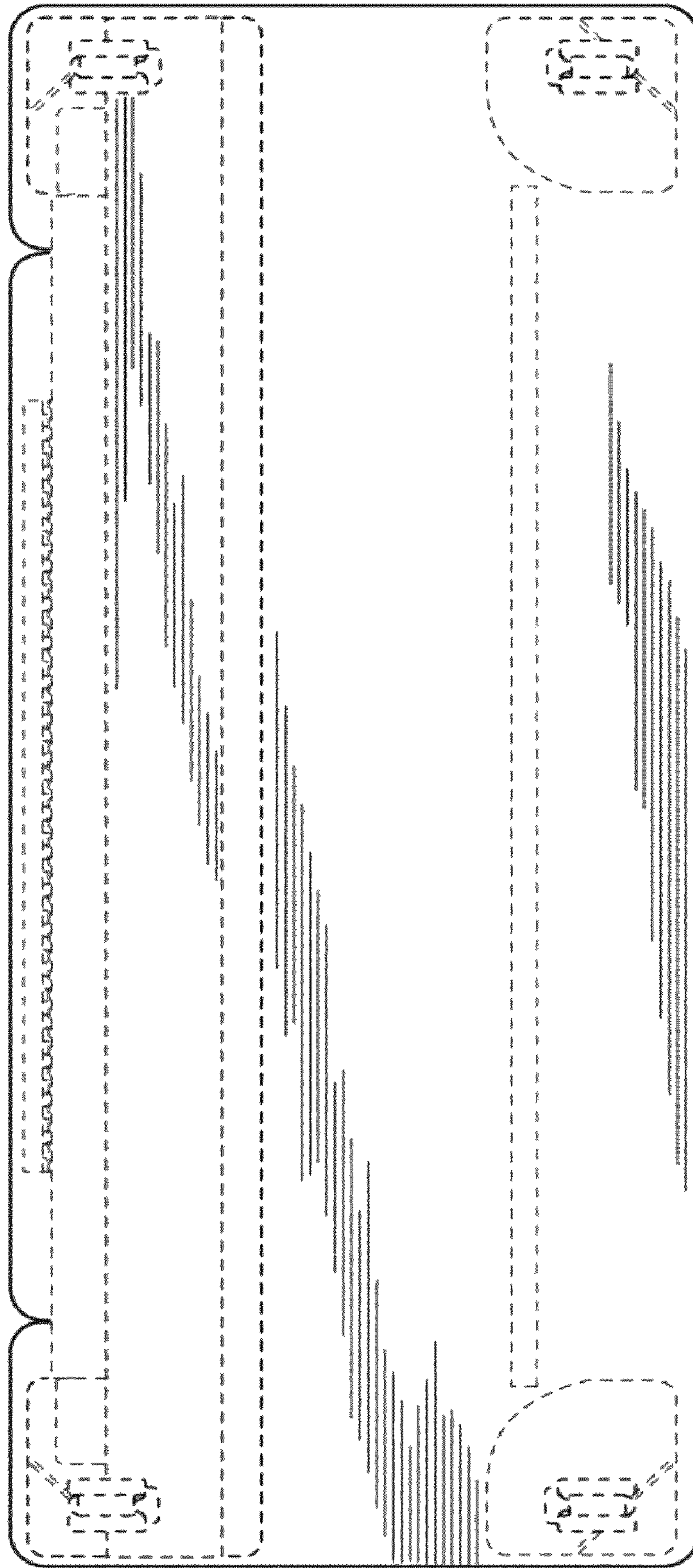


FIG. 5

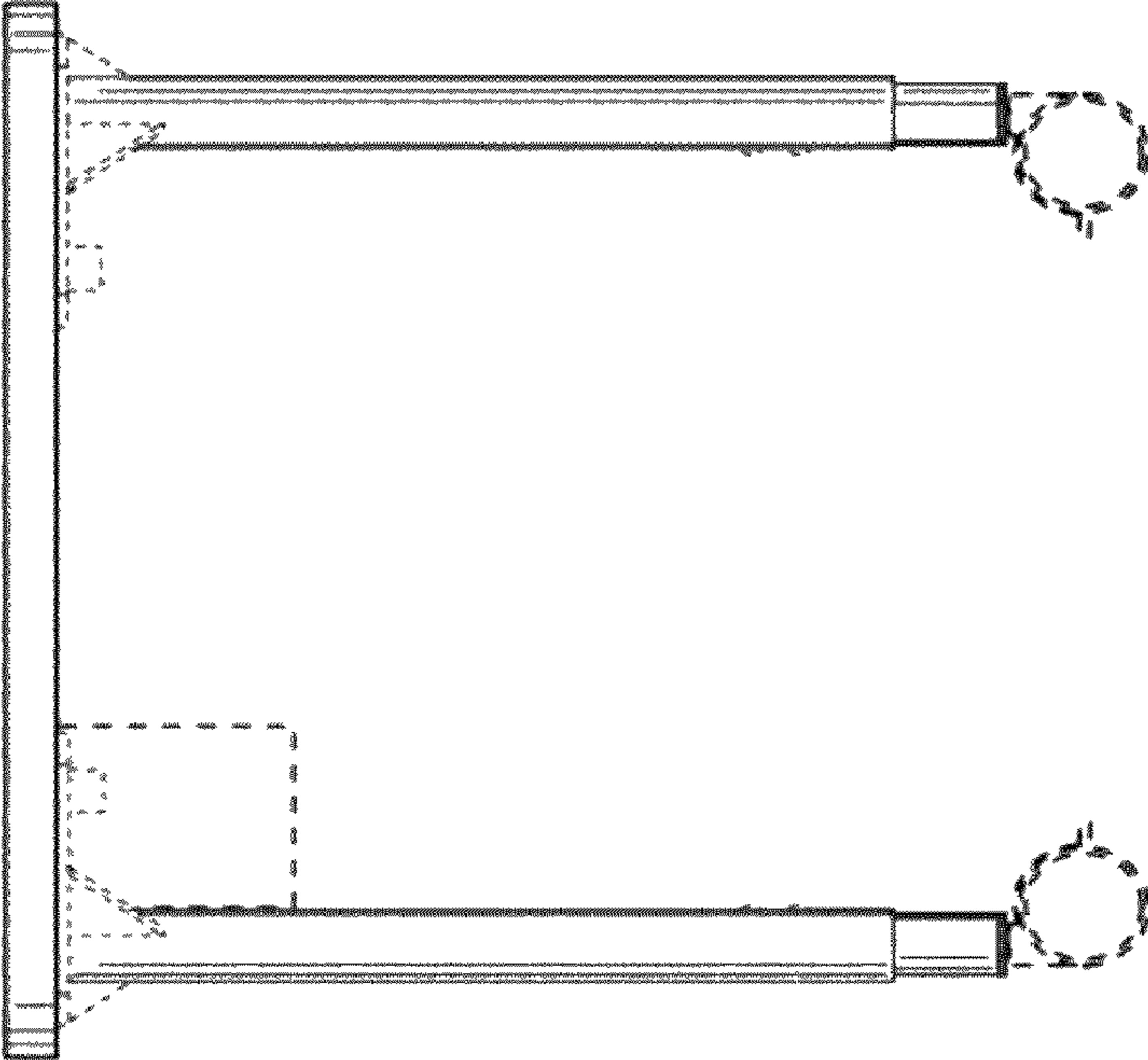


FIG. 7

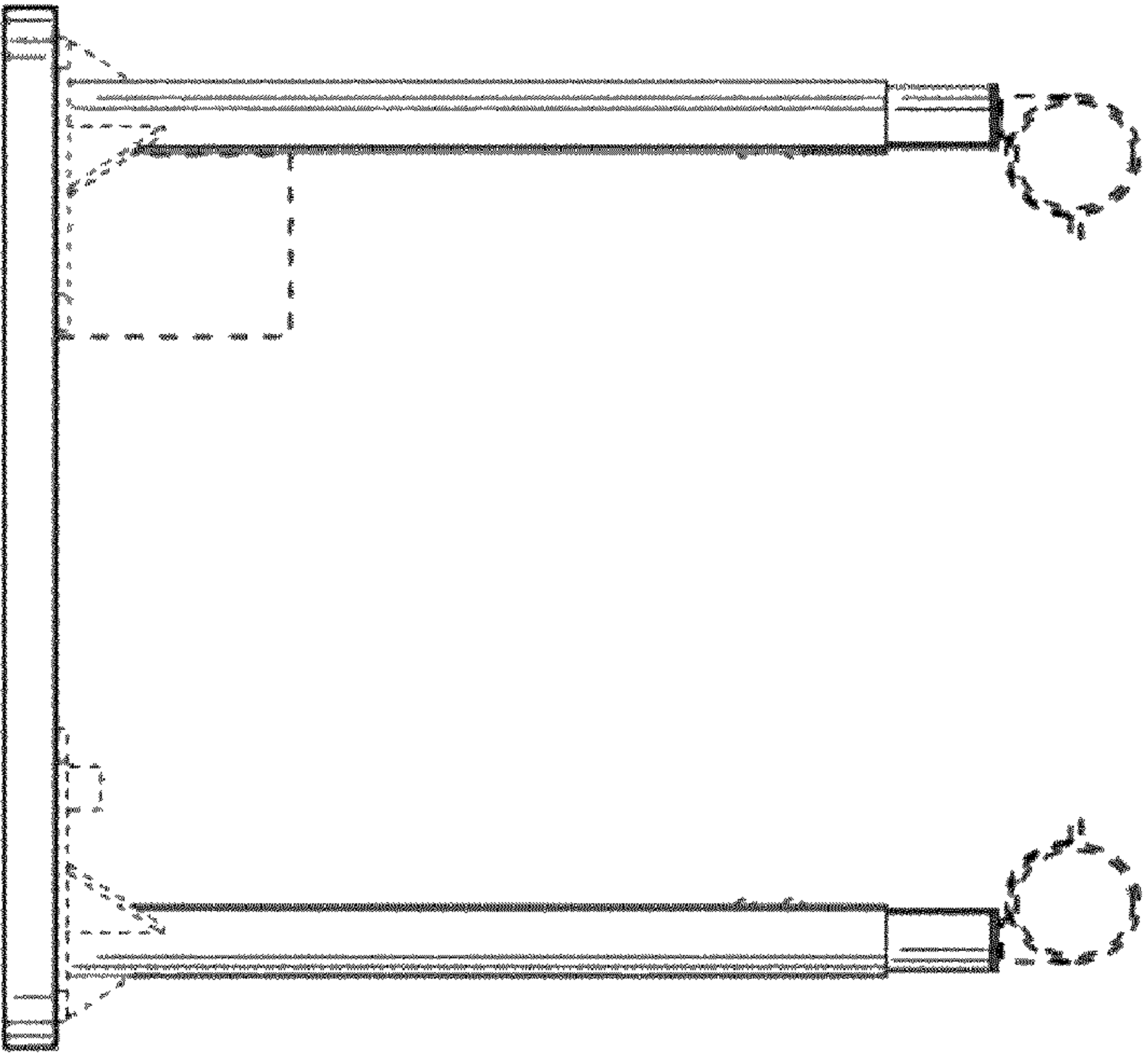


FIG. 6