



US00D674622S

(12) **United States Design Patent**
Pininfarina

(10) **Patent No.:** **US D674,622 S**

(45) **Date of Patent:** **** Jan. 22, 2013**

(54) **TABLE**

(75) Inventor: **Paolo Pininfarina**, Turin (IT)

(73) Assignee: **Calligaris S.p.A.**, Manzano (IT)

(**) Term: **14 Years**

(21) Appl. No.: **29/408,371**

(22) Filed: **Dec. 12, 2011**

(30) **Foreign Application Priority Data**

Jun. 10, 2011 (EM) 1280580-0019

(51) **LOC (9) Cl.** **06-03**

(52) **U.S. Cl.** **D6/430; D6/480**

(58) **Field of Classification Search** D6/480-489,
D6/495-499, 429-431; 108/150, 152, 153.1,
108/156, 161, 63-66, 70, 71, 76, 94; 248/188,
248/188.1, 188.8

See application file for complete search history.

(56) **References Cited**

U.S. PATENT DOCUMENTS

D355,799 S * 2/1995 D'Urbino et al. D6/482
D470,345 S * 2/2003 Muller D6/482
D573,376 S * 7/2008 Muller D6/495
D604,533 S * 11/2009 Muller D6/495

* cited by examiner

Primary Examiner — Janice Seeger

(74) *Attorney, Agent, or Firm* — Hamre, Schumann, Mueller & Larson, P.C.

(57) **CLAIM**

The ornamental design for a table, as shown and described.

DESCRIPTION

FIG. 1 is a front perspective view of a table in accordance with an extended configuration with the leaves folded out;

FIG. 2 is a front view thereof;

FIG. 3 is a back view thereof;

FIG. 4 is a right side view thereof;

FIG. 5 is a left side view thereof;

FIG. 6 is a top view thereof;

FIG. 7 is a bottom view thereof;

FIG. 8 is a front perspective view of a table in accordance with a compact configuration with the leaves folded in;

FIG. 9 is a front view thereof;

FIG. 10 is a back view thereof;

FIG. 11 is a right side view thereof;

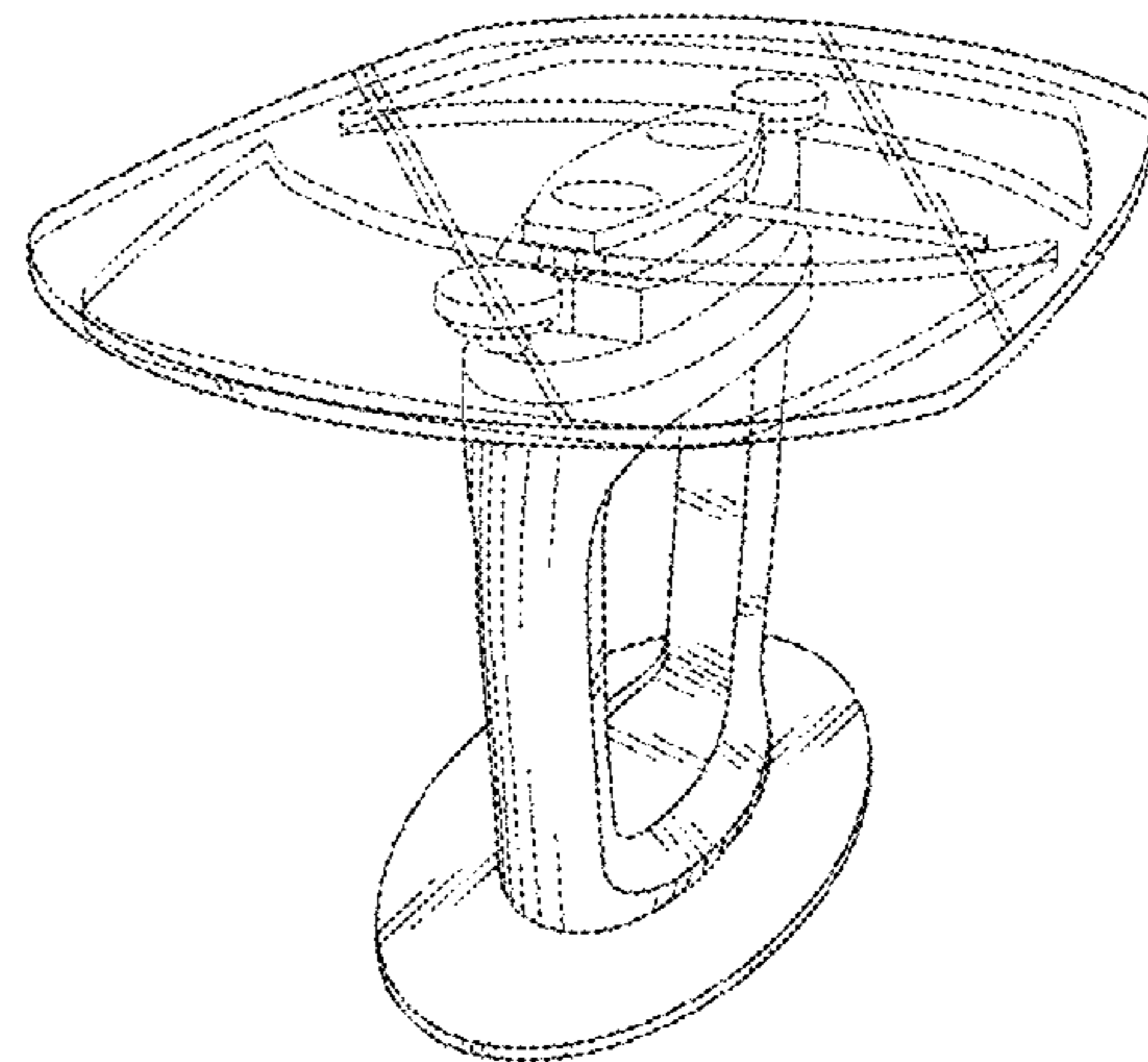
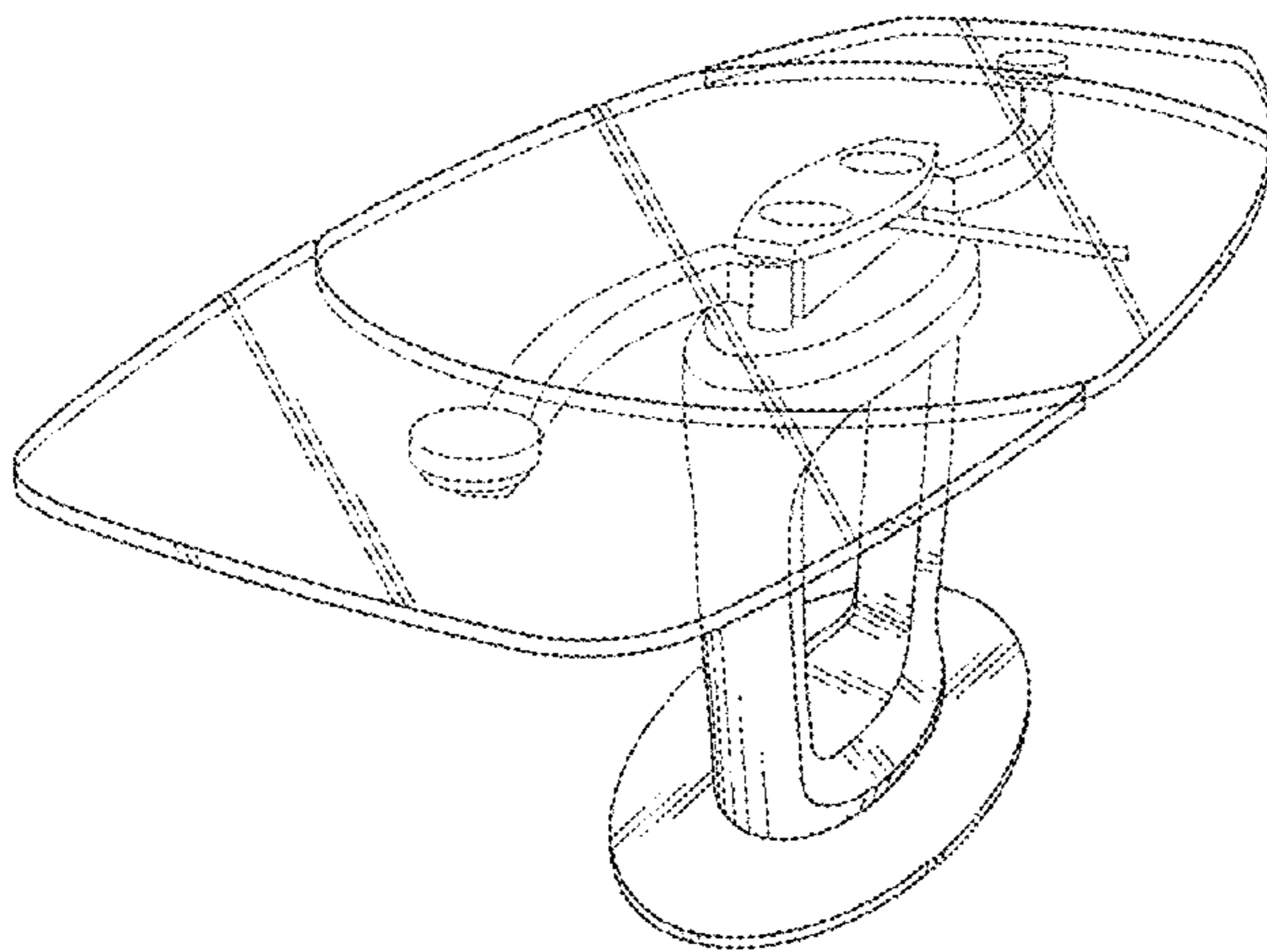
FIG. 12 is a left side view thereof;

FIG. 13 is a top view thereof; and,

FIG. 14 is a bottom view thereof.

The broken lines are for environmental purposes only and form no part of the claimed design.

1 Claim, 14 Drawing Sheets



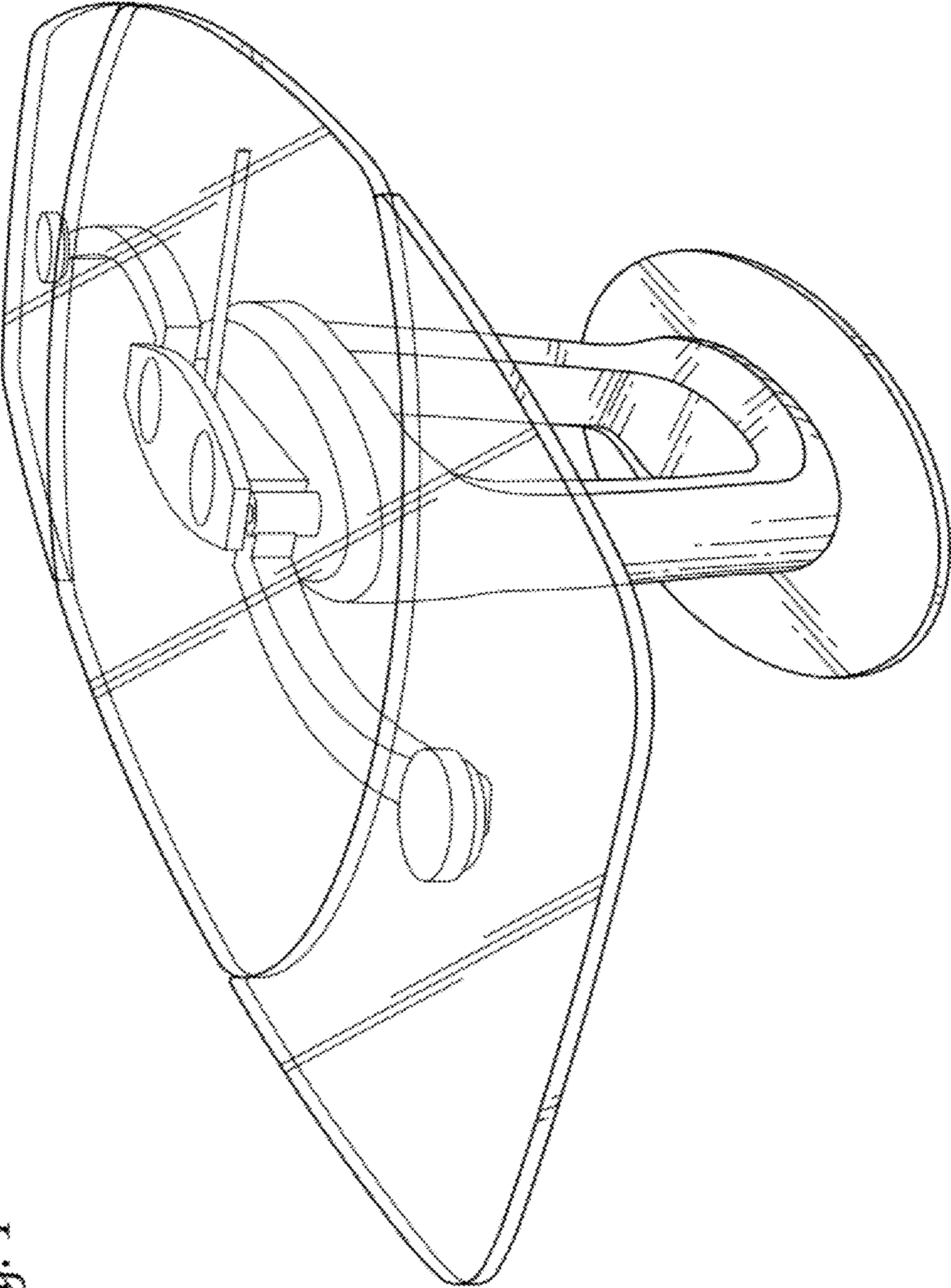


Fig. 1

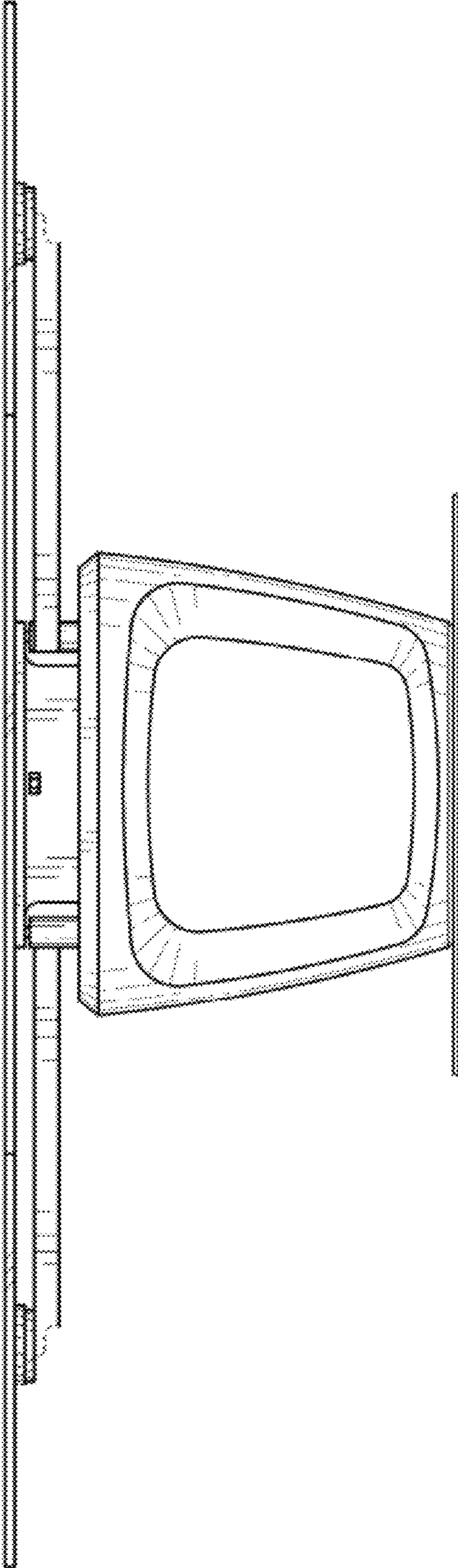


Fig. 2

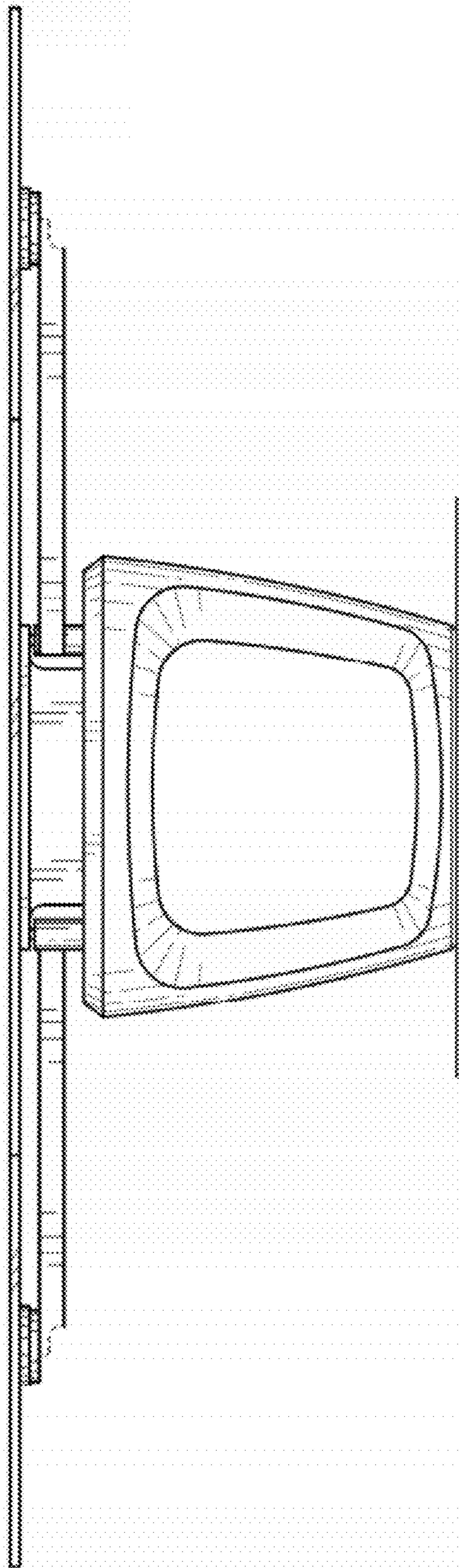


Fig. 3

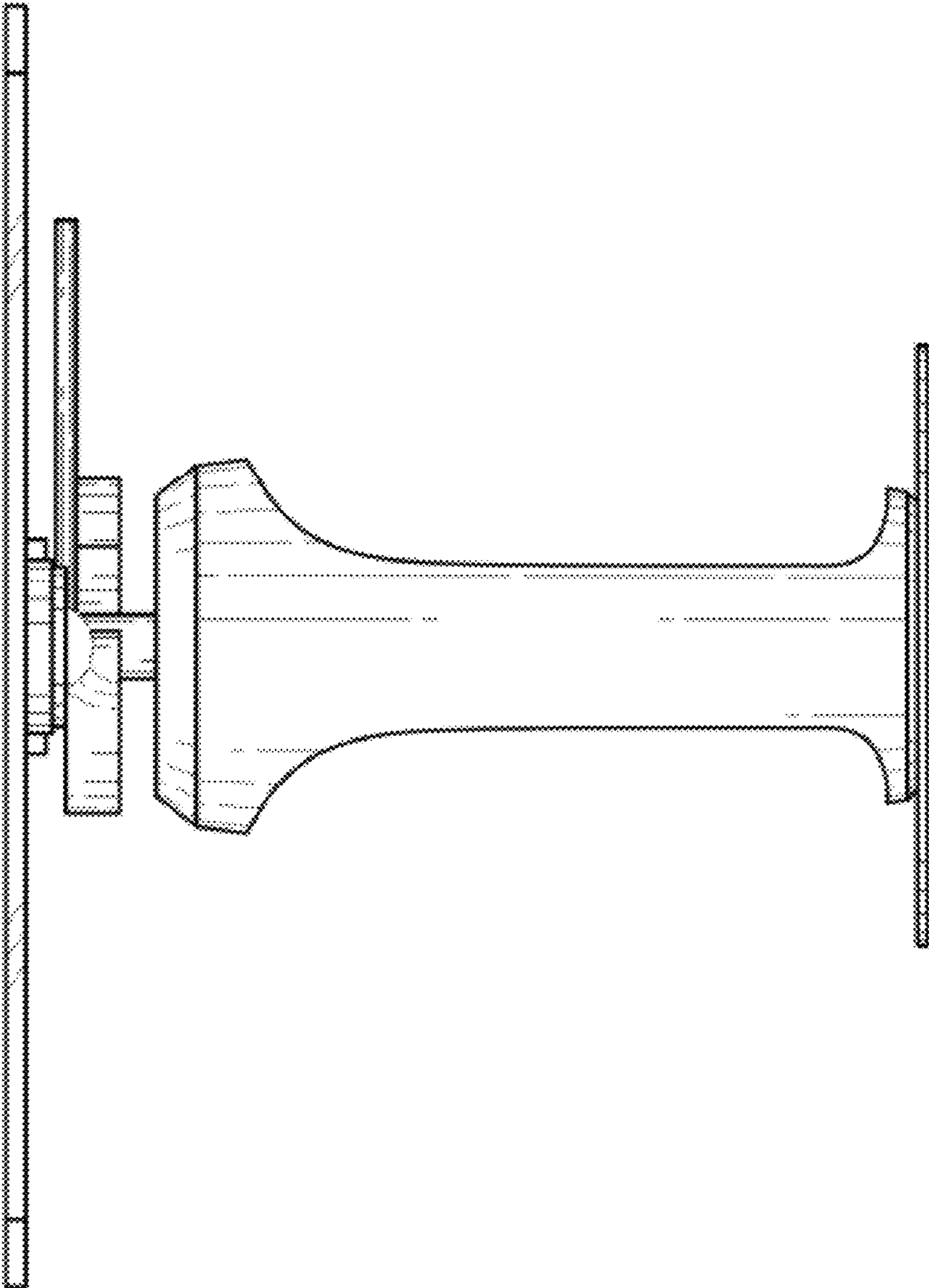


Fig. 4

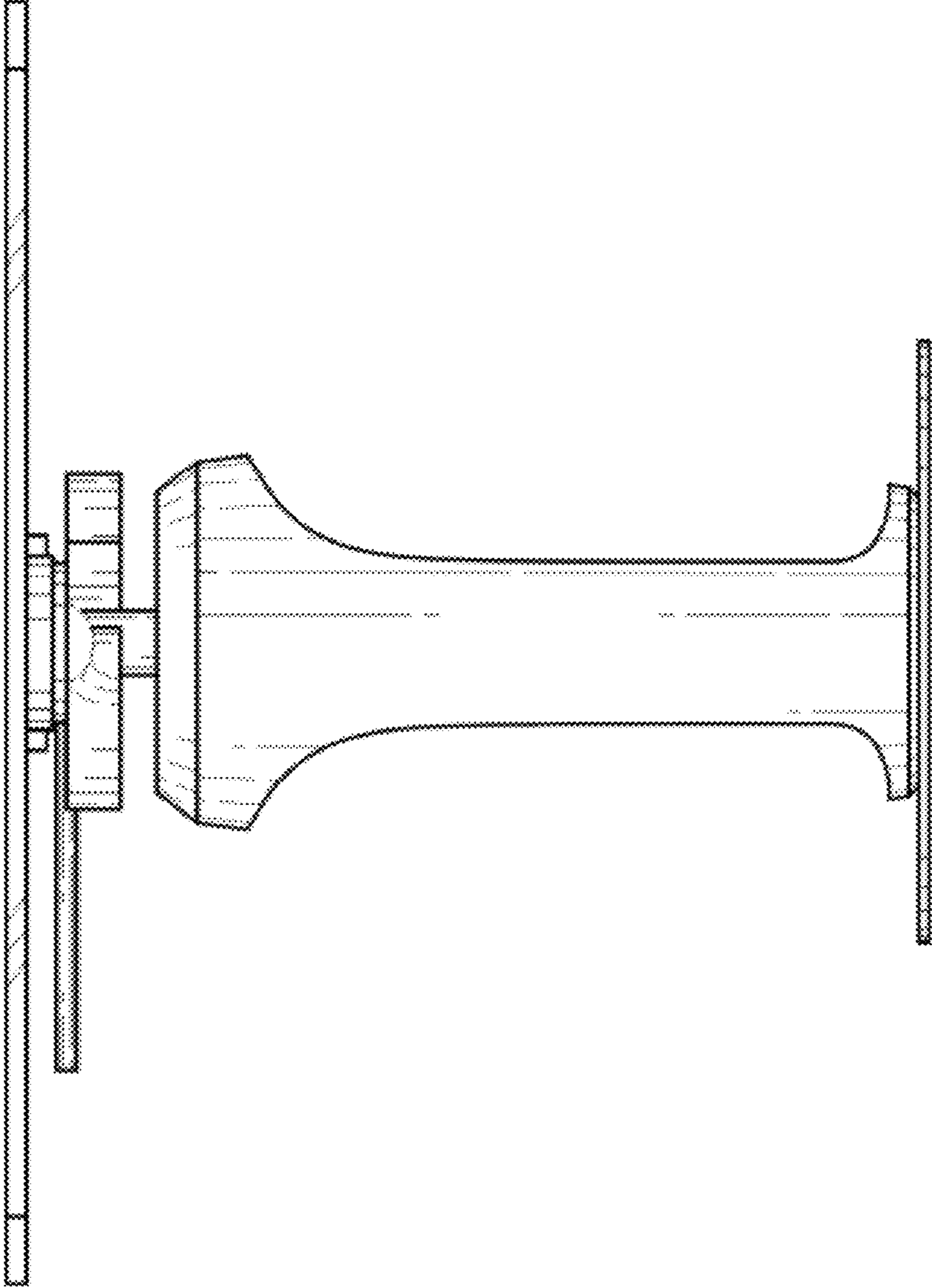


Fig. 5

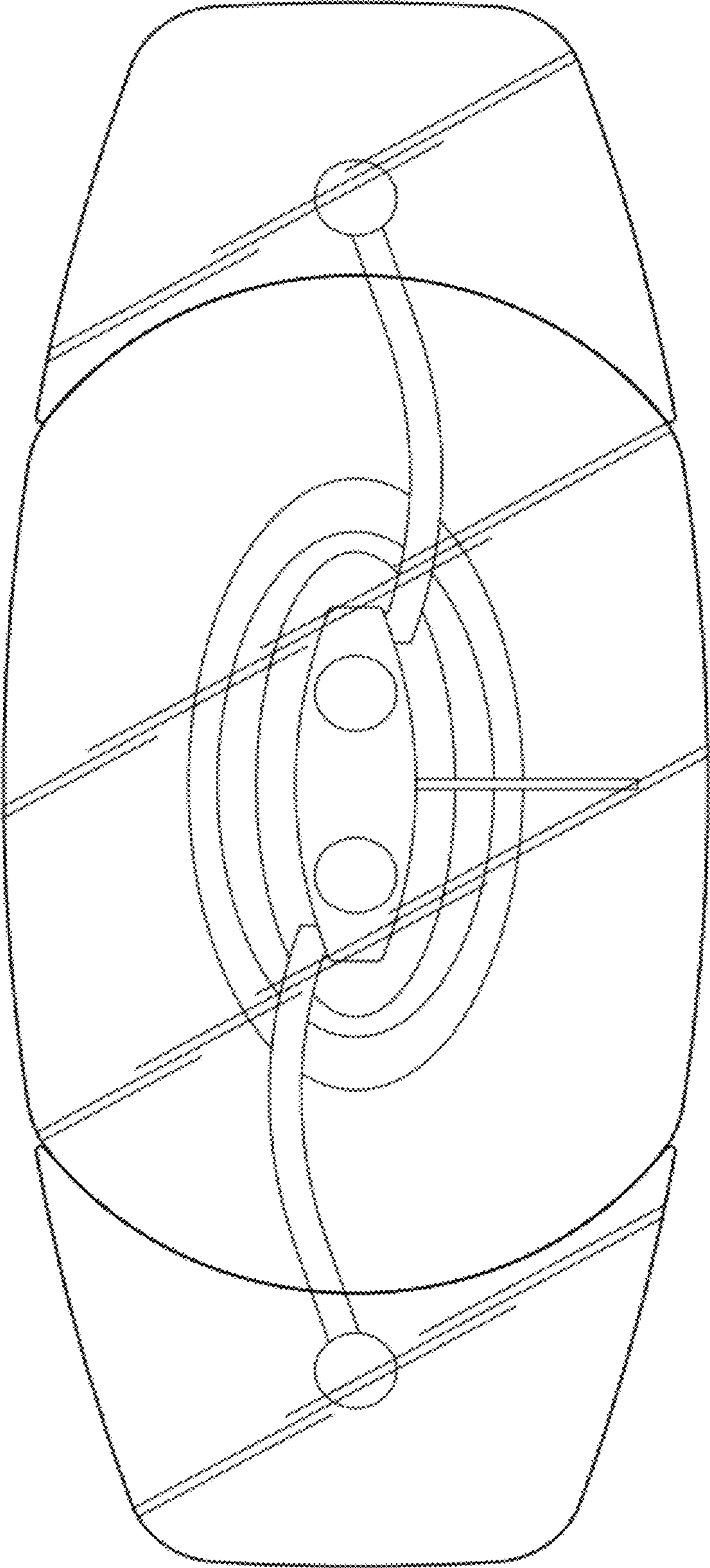


Fig. 6

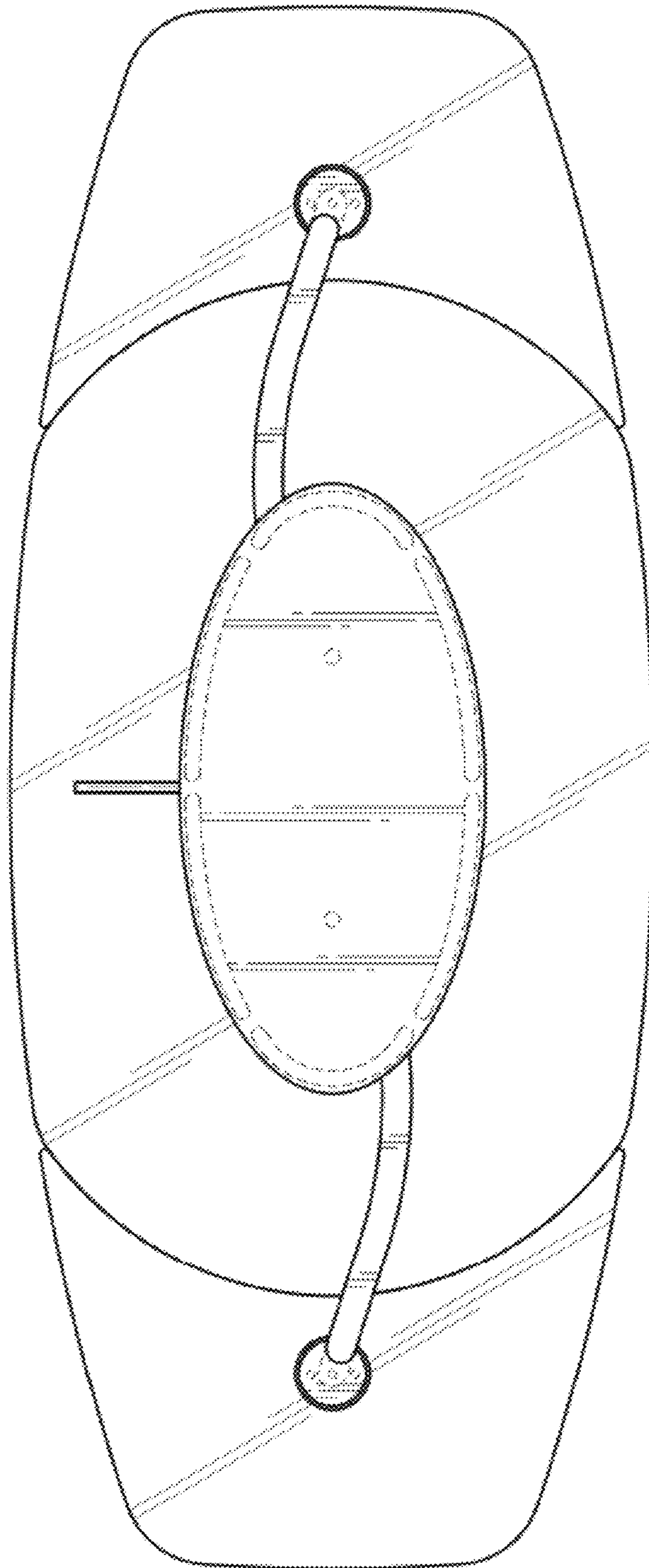


Fig. 7

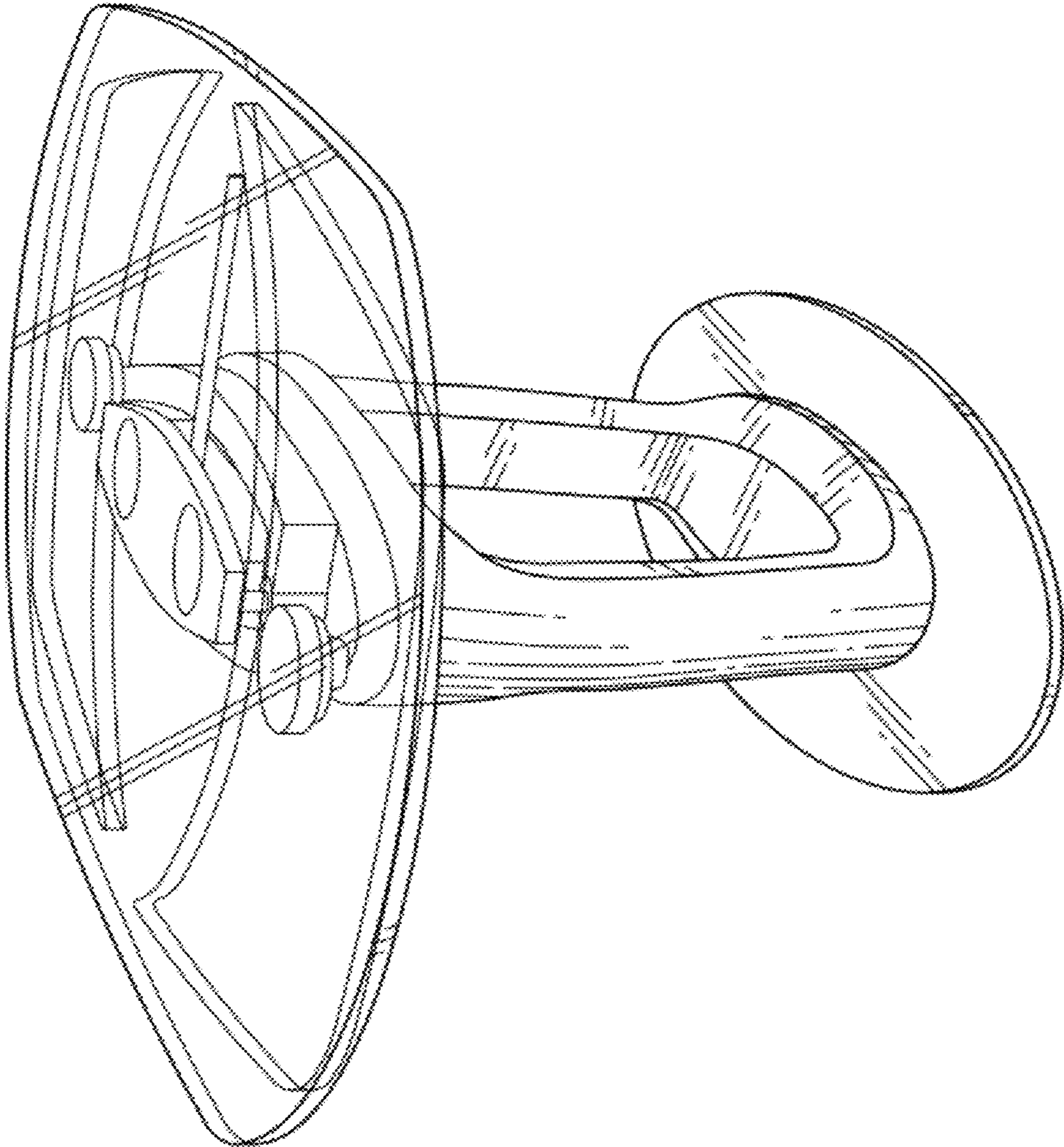


Fig. 8

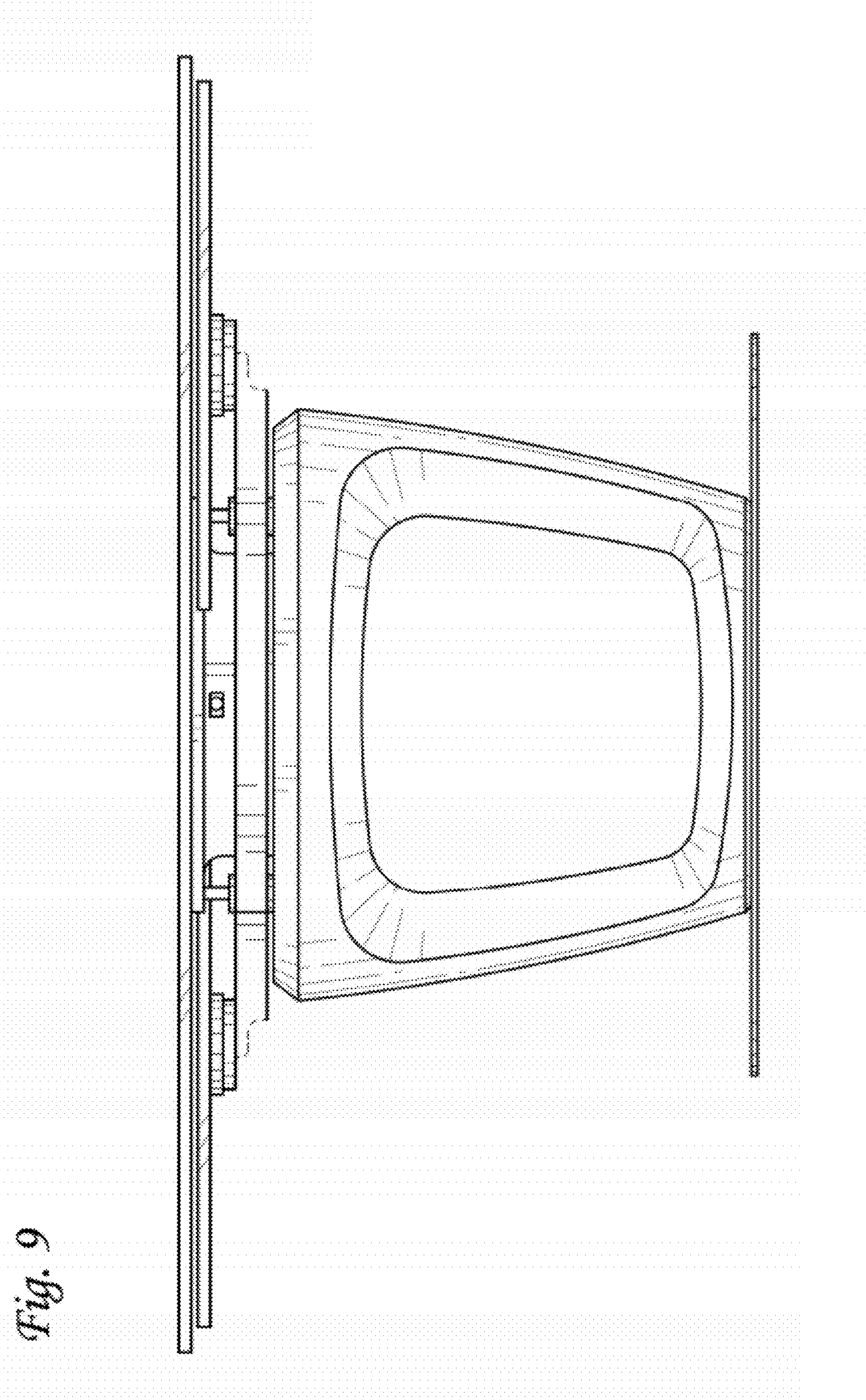
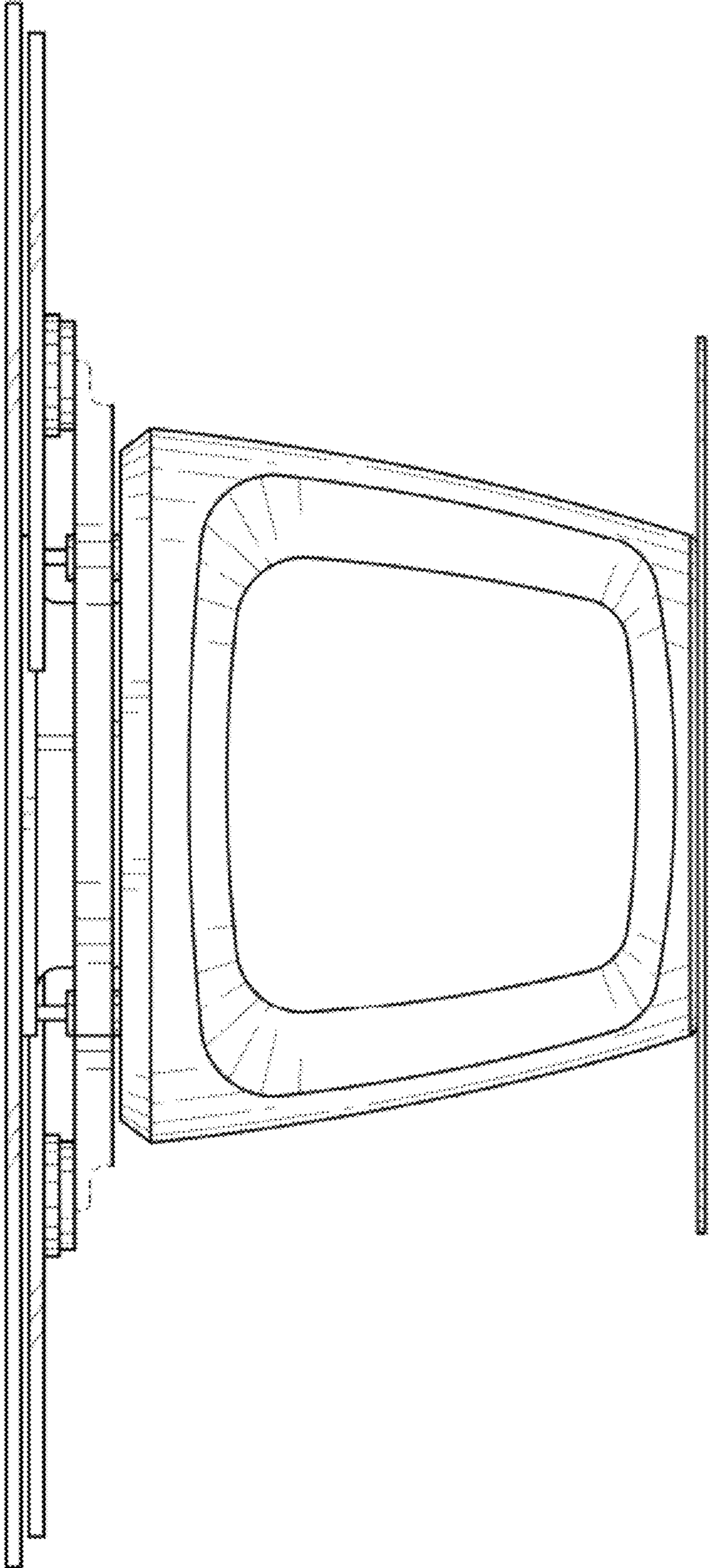


Fig. 9

Fig. 10



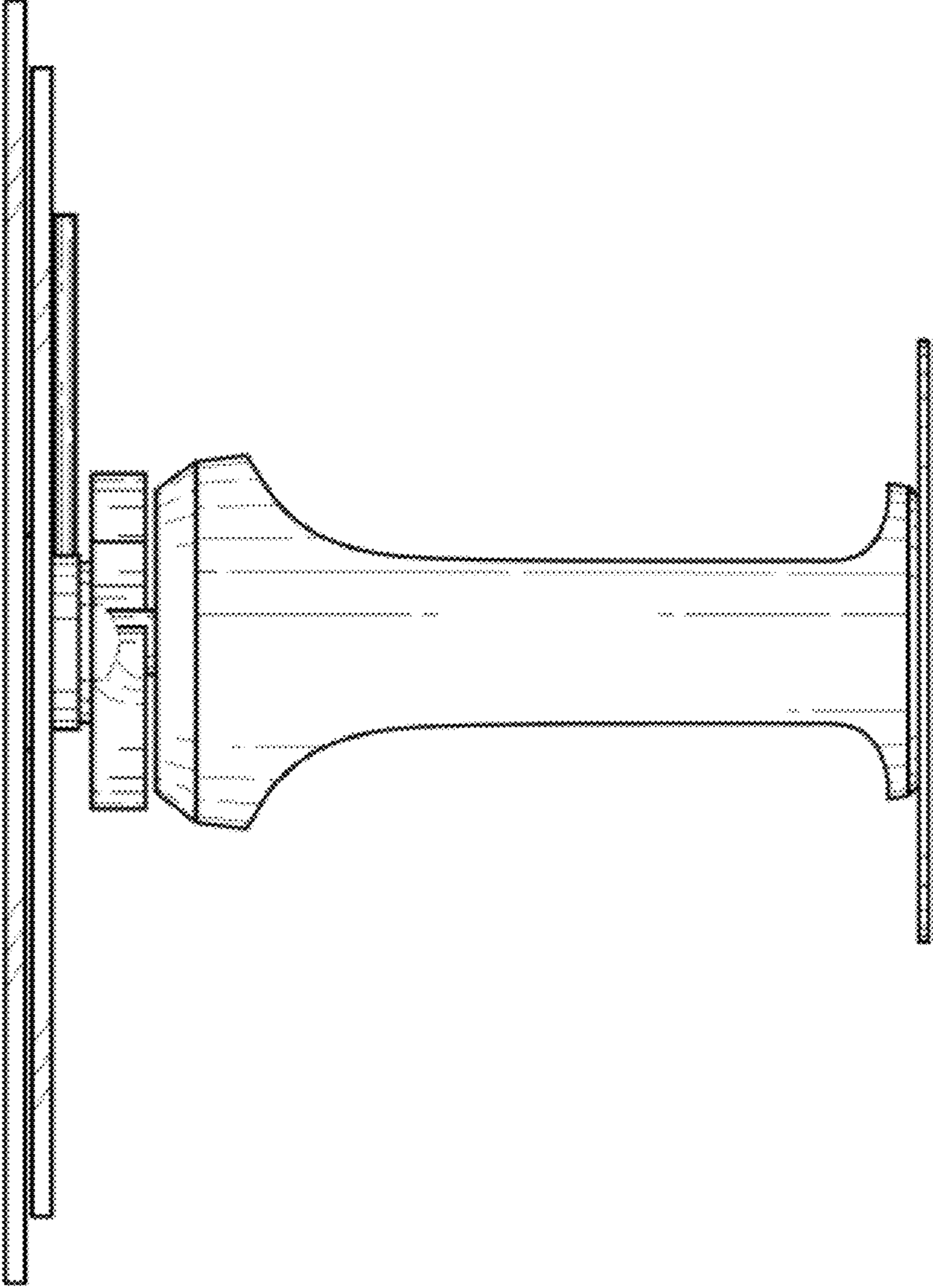


Fig. 11

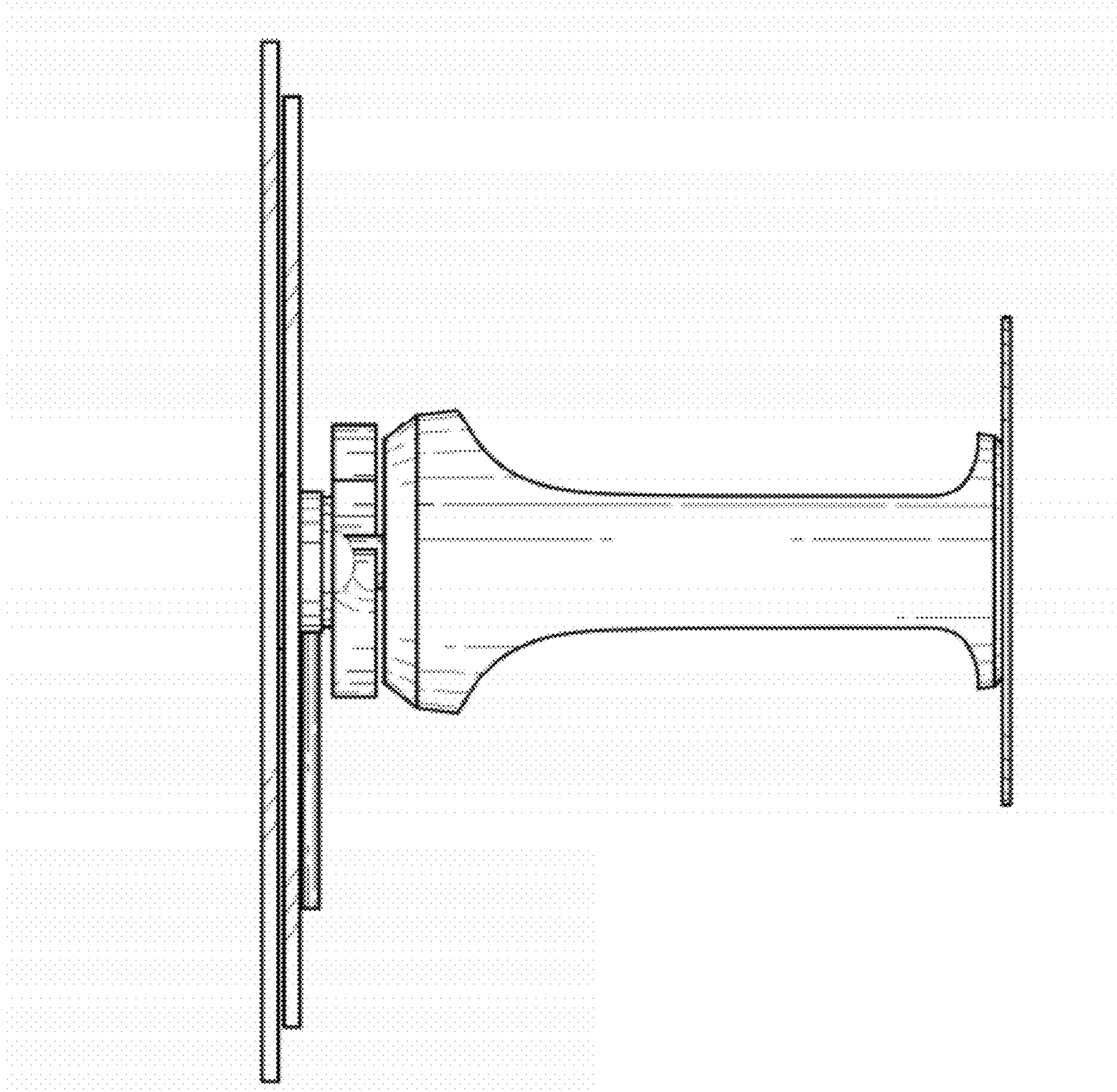


Fig. 12

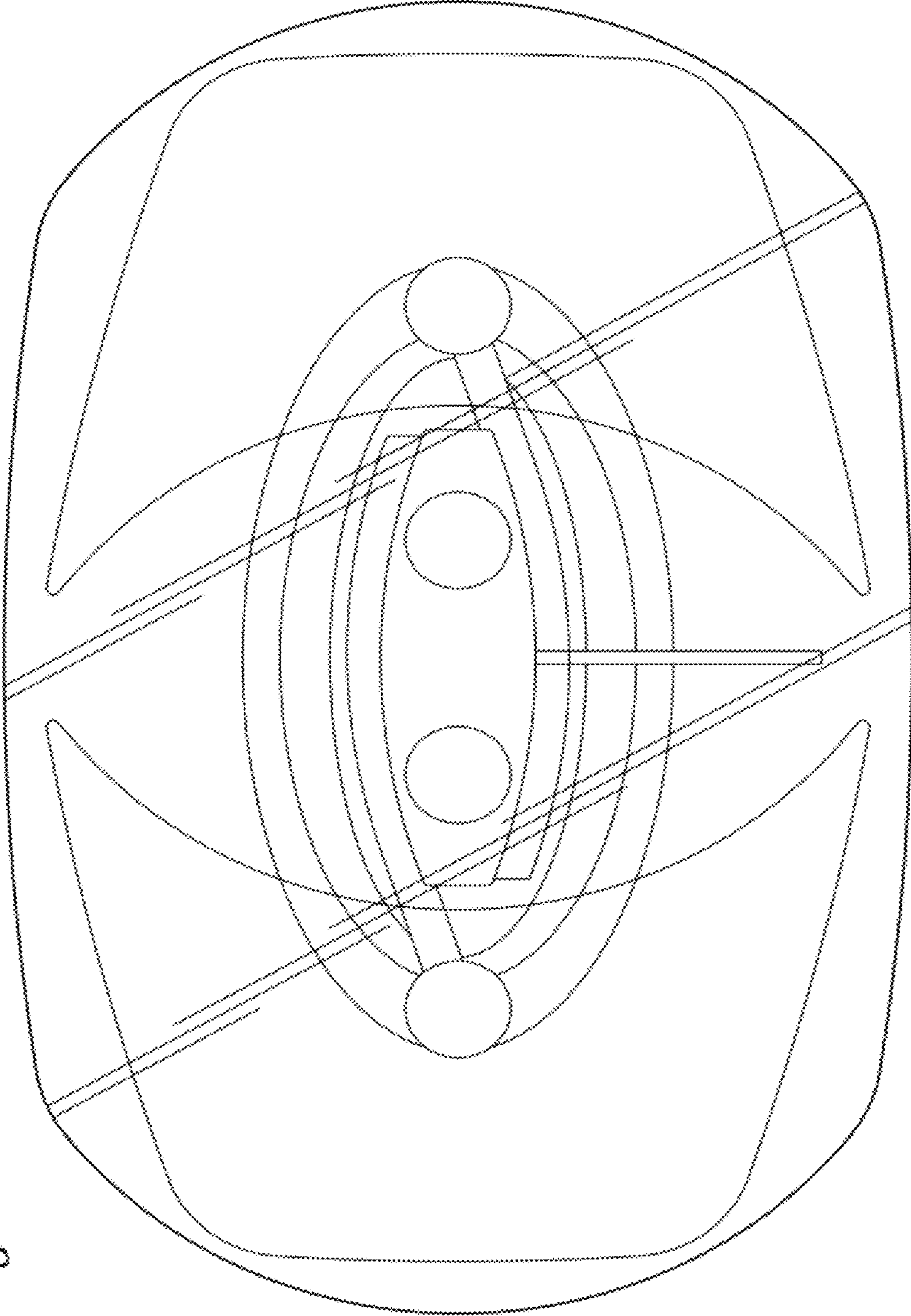


Fig. 13

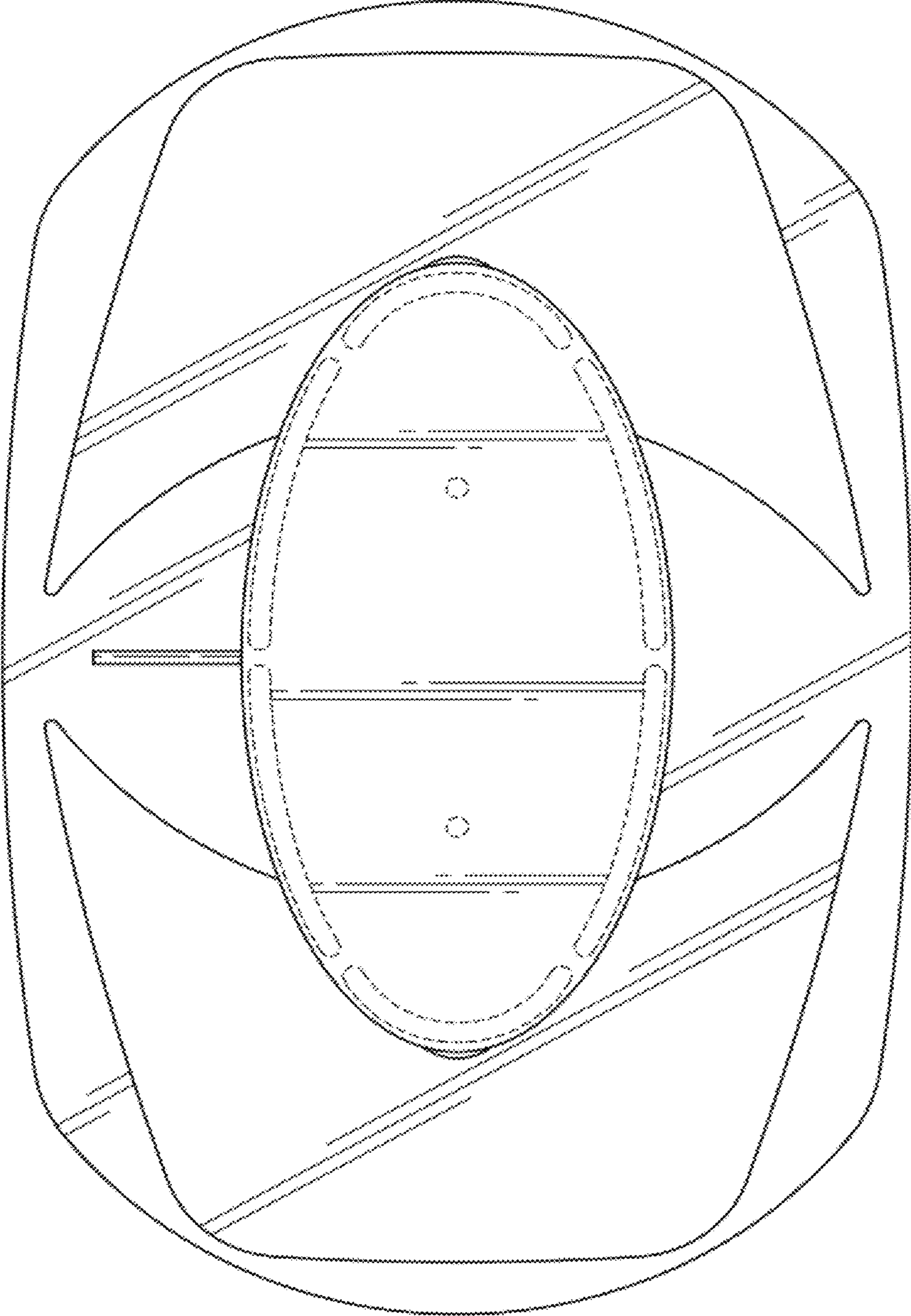


Fig. 14