



US00D674616S

(12) **United States Design Patent**
Frankel

(10) **Patent No.:** **US D674,616 S**

(45) **Date of Patent:** **** Jan. 22, 2013**

(54) **OTTOMAN WITH LIFT TABLE**

(75) Inventor: **Andrew Frankel**, Vernon Hills, IL (US)

(73) Assignee: **Linon Home Decor Products, Inc.**,
Mineola, NY (US)

(**) Term: **14 Years**

(21) Appl. No.: **29/408,898**

(22) Filed: **Dec. 19, 2011**

(51) **LOC (9) Cl.** **06-01**

(52) **U.S. Cl.** **D6/349**

(58) **Field of Classification Search** D6/335,
D6/340, 349-355, 495, 500-502; 297/16.1,
297/175, 187, 195.1, 423.1, 423.11, 423.14,
297/423.16, 461, 462

See application file for complete search history.

(56) **References Cited**

U.S. PATENT DOCUMENTS

3,892,441	A *	7/1975	Roeshman	297/461
D262,921	S *	2/1982	Poole	D6/336
D361,003	S *	8/1995	Keller et al.	D6/449
5,466,041	A *	11/1995	Hoffman et al.	297/188.1
5,538,320	A *	7/1996	Hoffman et al.	297/188.1
5,893,182	A *	4/1999	Sutherland et al.	5/13
6,296,314	B1 *	10/2001	Klein	297/440.14
D461,061	S *	8/2002	Kent	D6/336
D468,915	S *	1/2003	Talbott et al.	D6/336
D610,818	S *	3/2010	Crane	D6/349

* cited by examiner

Primary Examiner — Sandra Snapp

(74) *Attorney, Agent, or Firm* — Anthony J. Bourger

(57) **CLAIM**

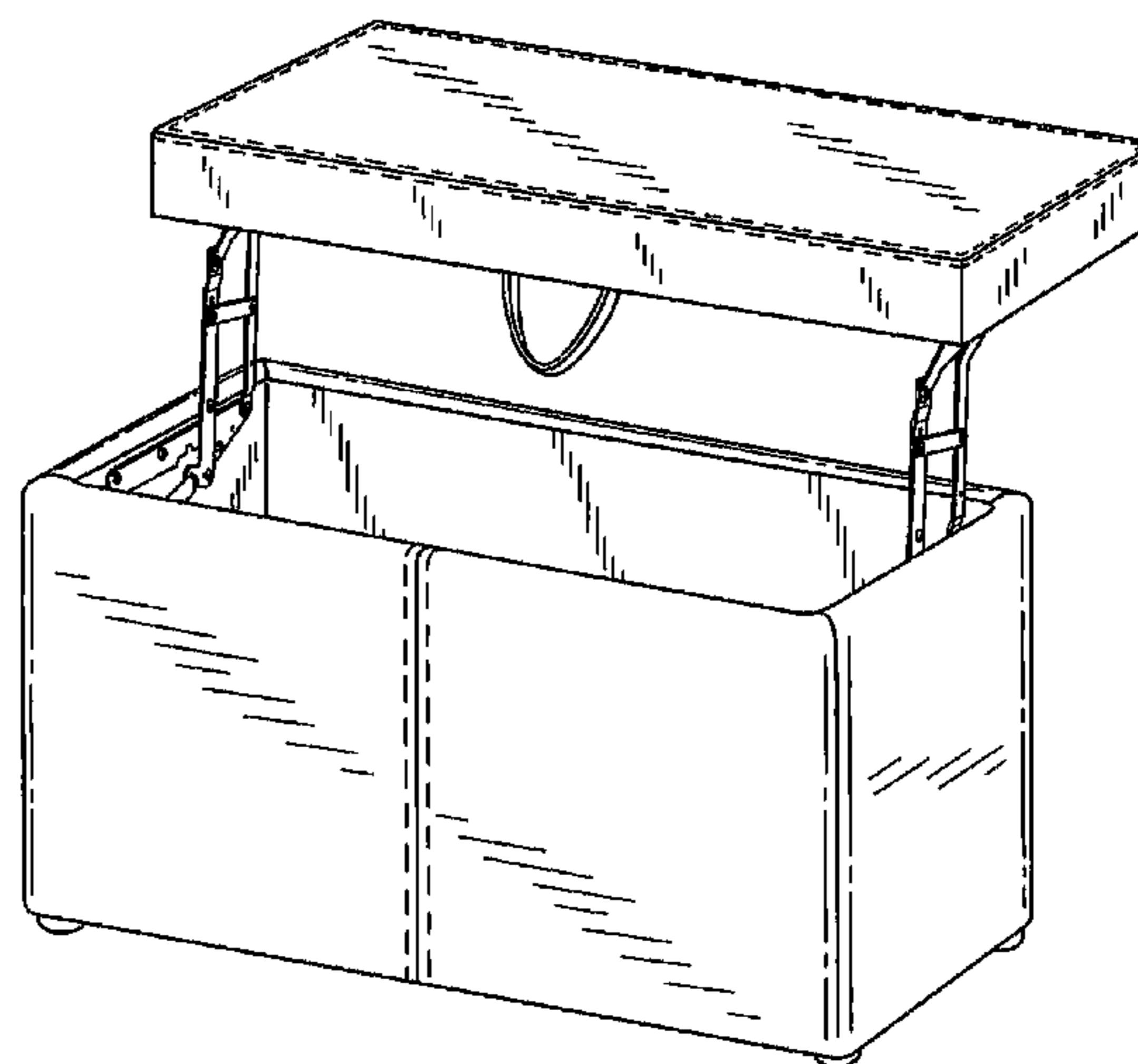
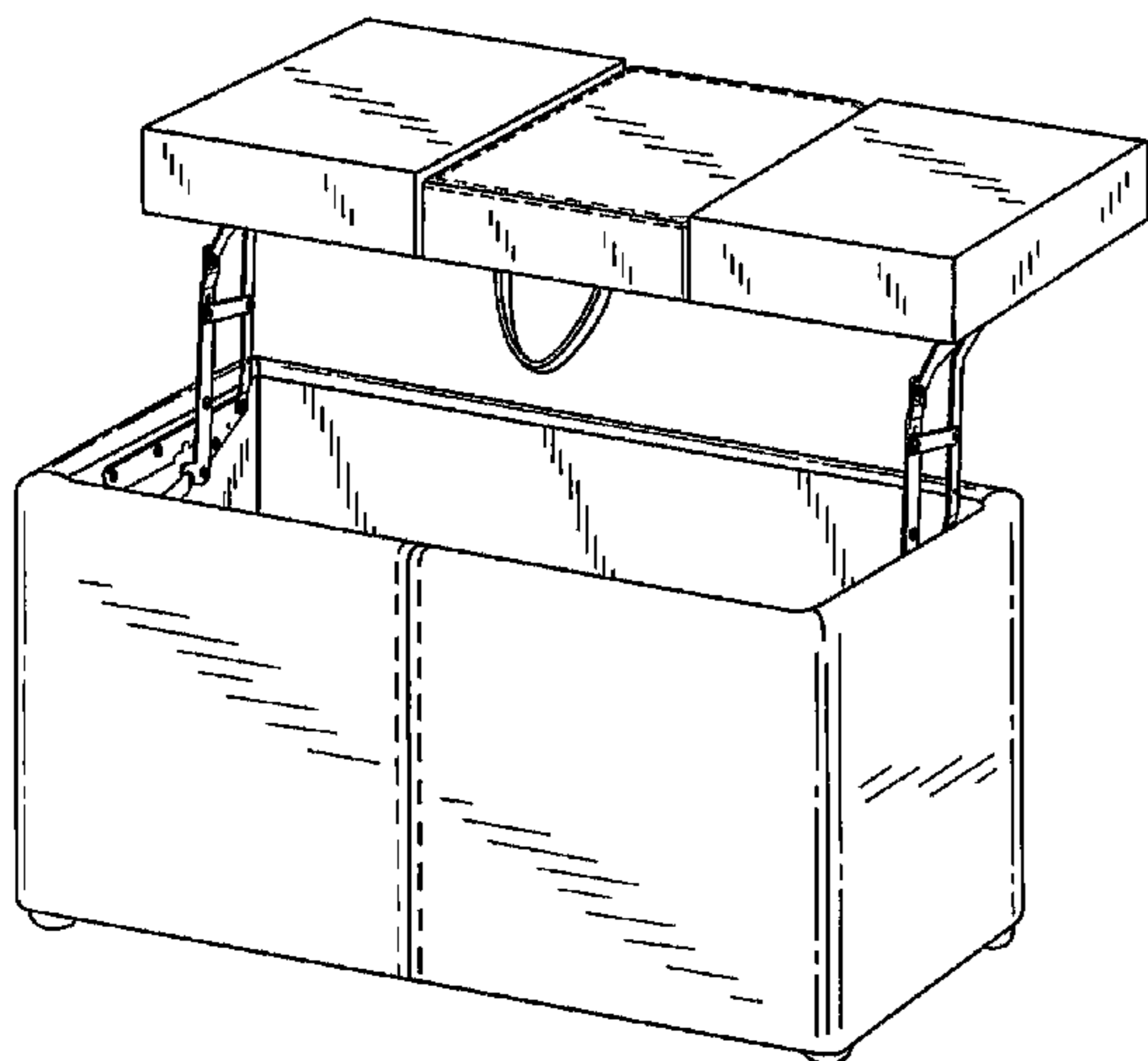
The ornamental design for an ottoman with lift table, as shown and described.

DESCRIPTION

FIG. 1 is a perspective view of my new design of an ottoman having a lift table with the table in a down or closed position; FIG. 2 is a perspective view of the ottoman of FIG. 1 having the table in a lifted or open position; FIG. 3 is a plan view thereof with the table showing three sections; FIG. 4 is a front elevation view thereof; FIG. 5 is a right elevation view thereof; FIG. 6 is a left elevation view thereof; FIG. 7 is a plan view thereof with table lifted for clarity; FIG. 8 is a right elevation view with table lifted for clarity; FIG. 9 is a perspective view of a further embodiment of my new design of an ottoman having a lift table of one section and with the table in a down or closed position; FIG. 10 is a perspective view the ottoman of FIG. 9 having the table in a lifted or open position; FIG. 11 is a plan view of the ottoman of FIG. 9; FIG. 12 is a front elevation view thereof; FIG. 13 is a right elevation view thereof; and, FIG. 14 is a left elevation view thereof.

The broken lines shown in the drawings are for illustrative purposes only and form no part of the claimed design.

1 Claim, 7 Drawing Sheets



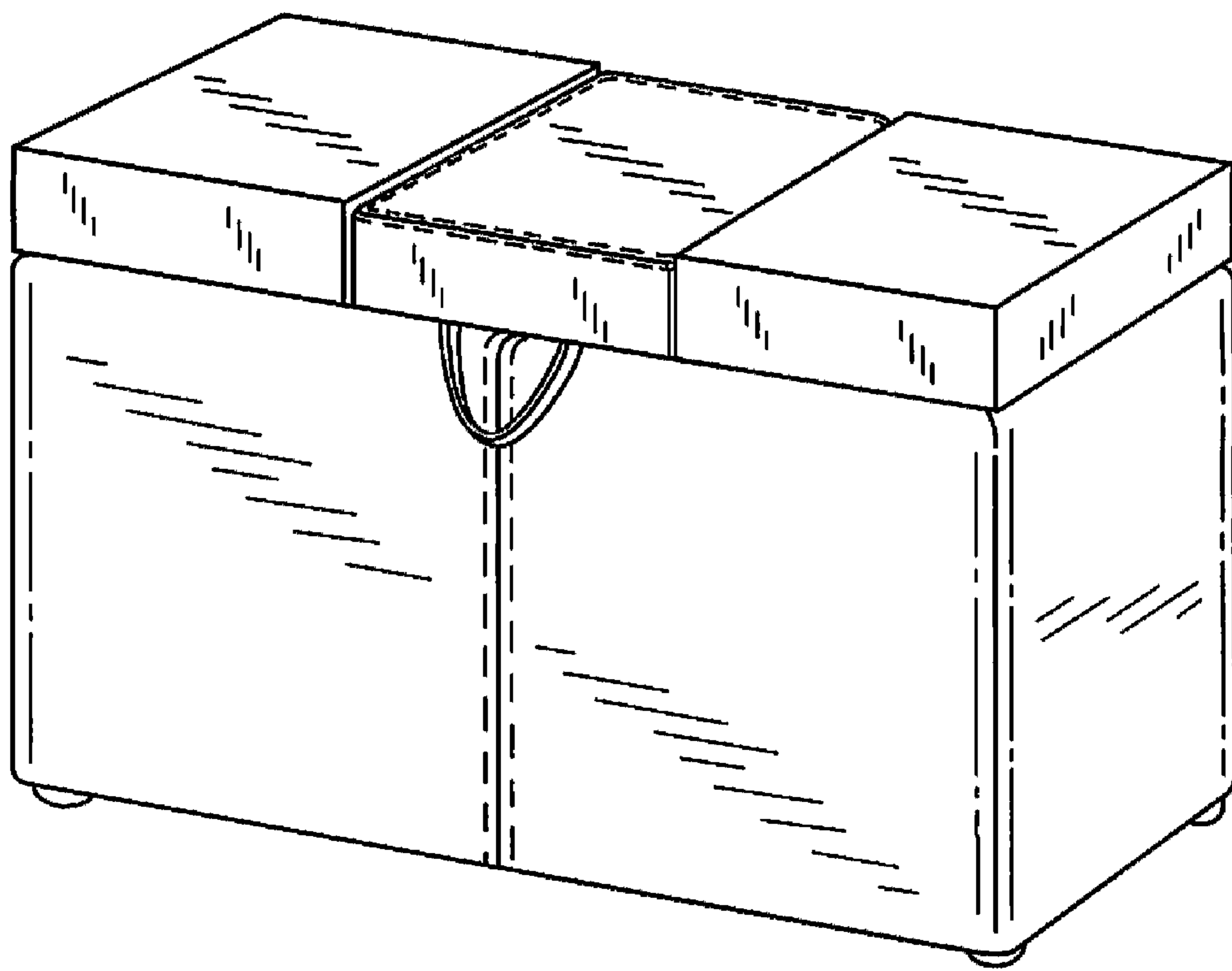


Fig. 1

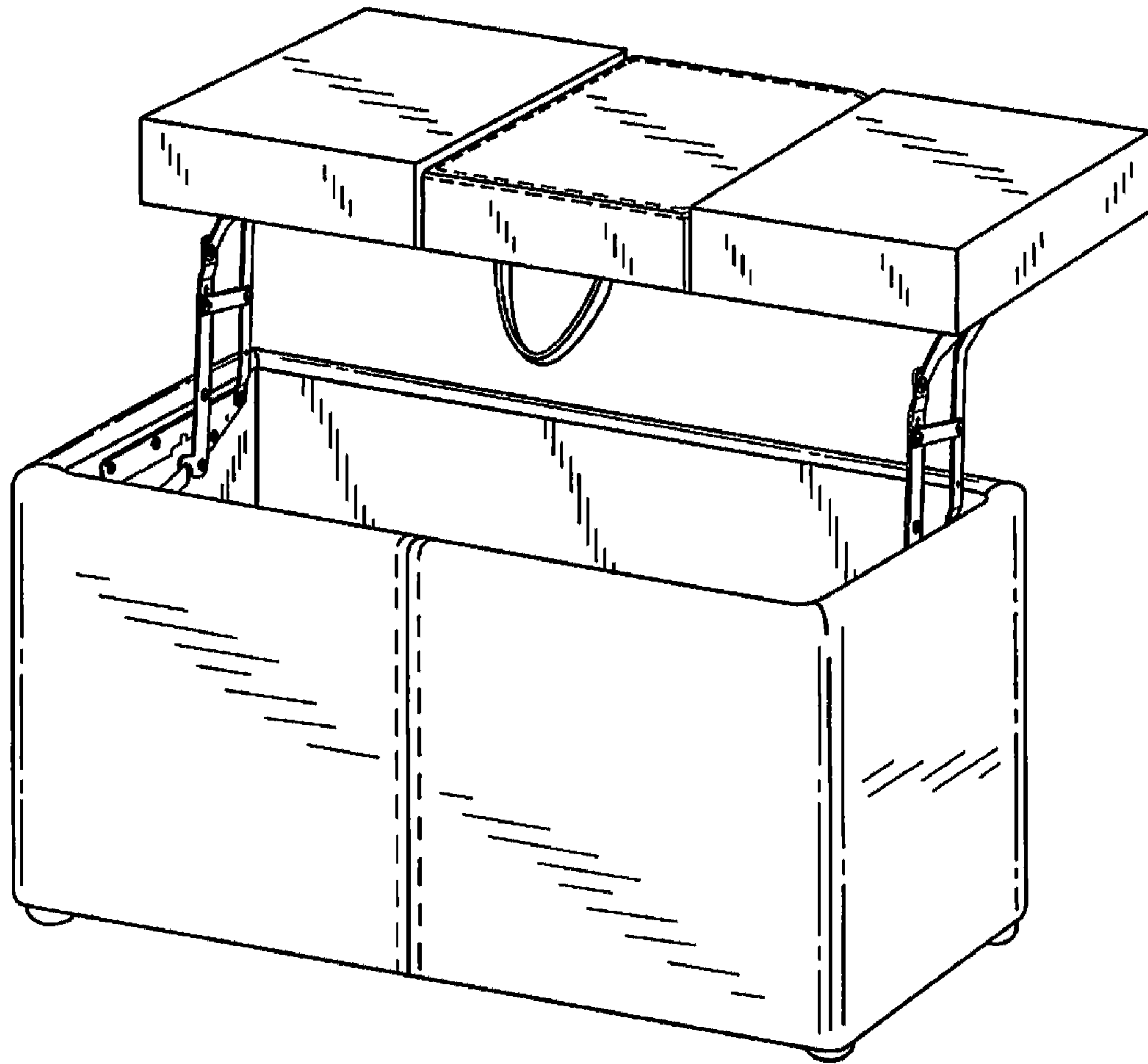


Fig. 2

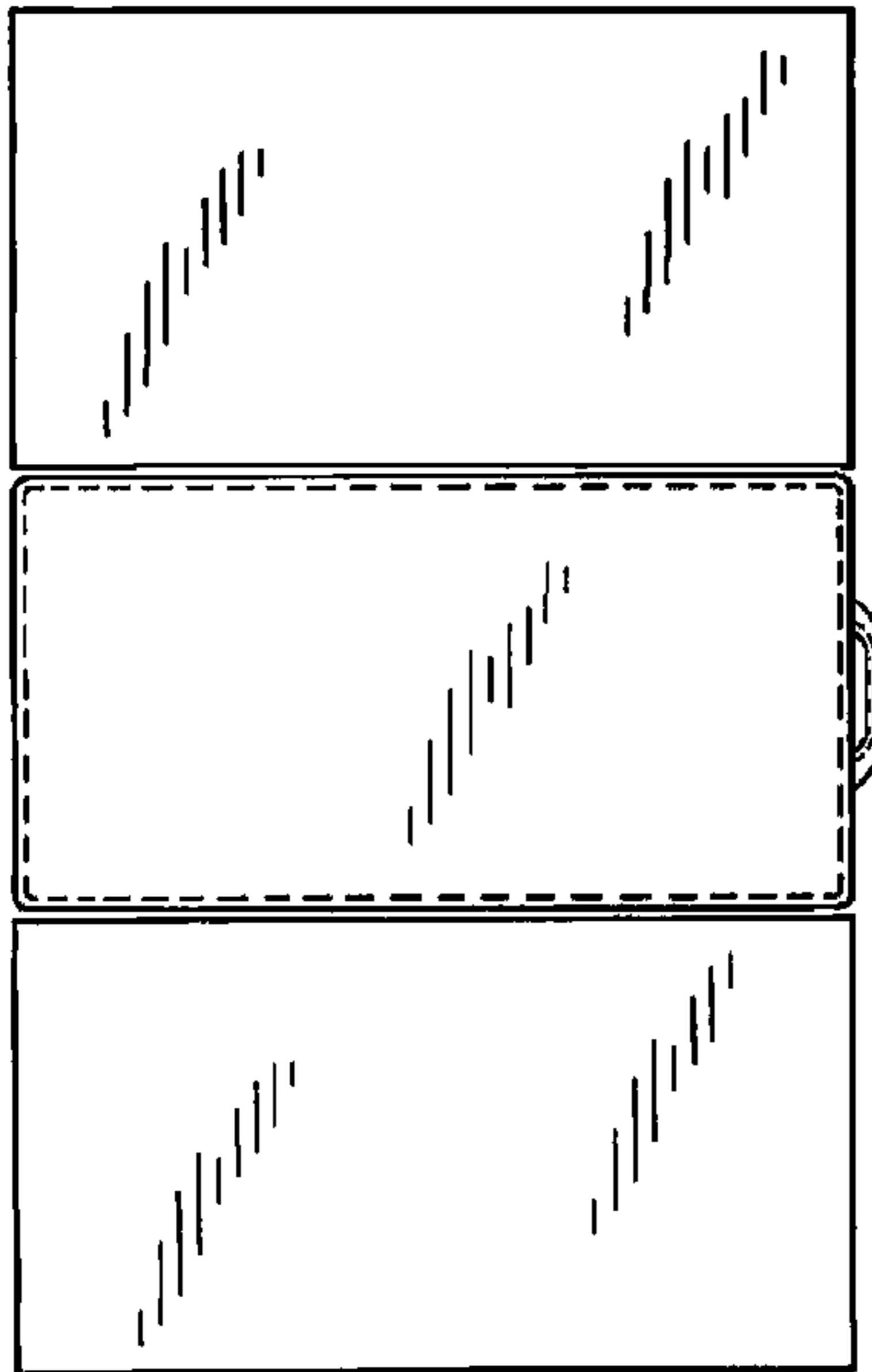


Fig. 3

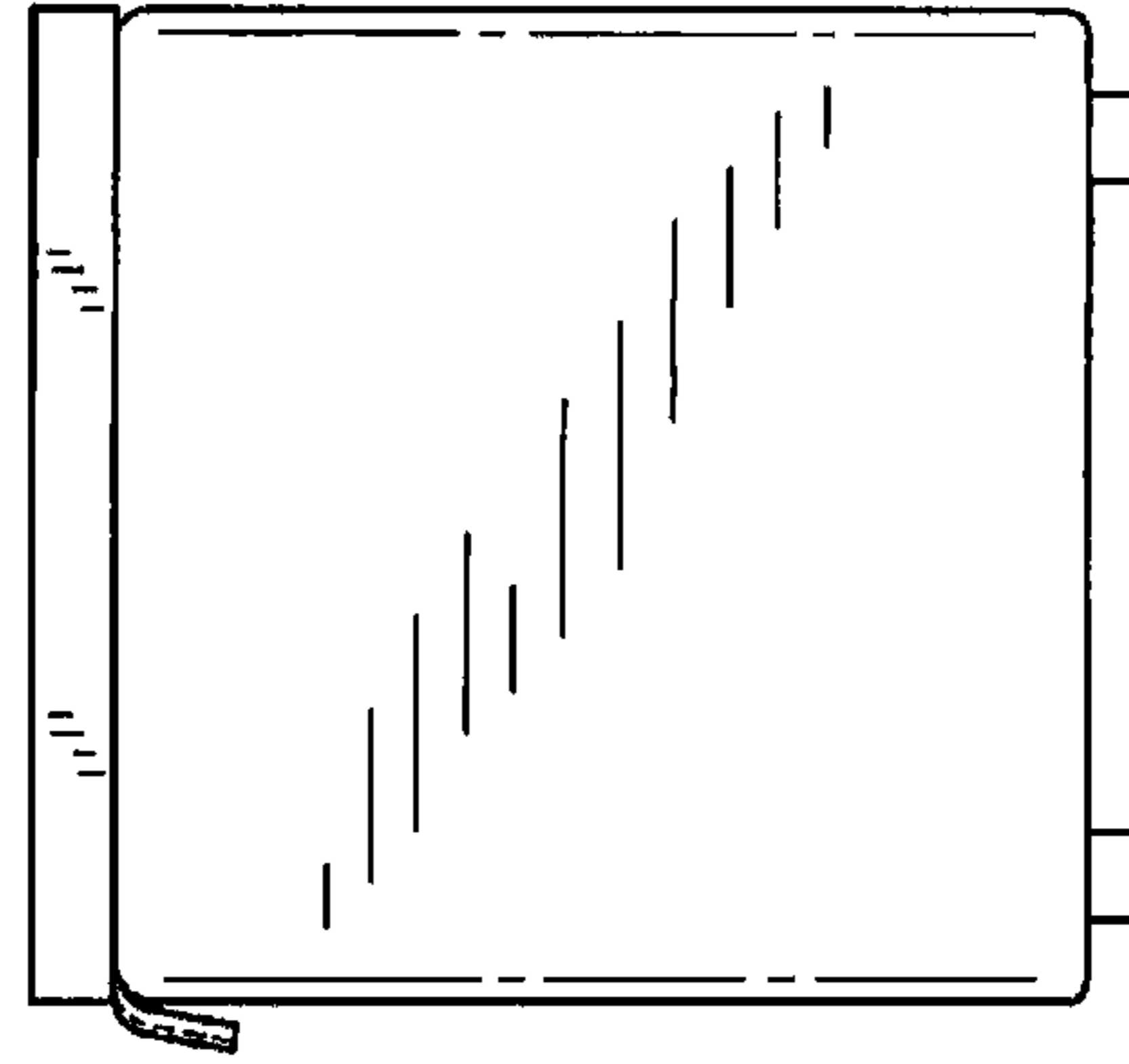


Fig. 5

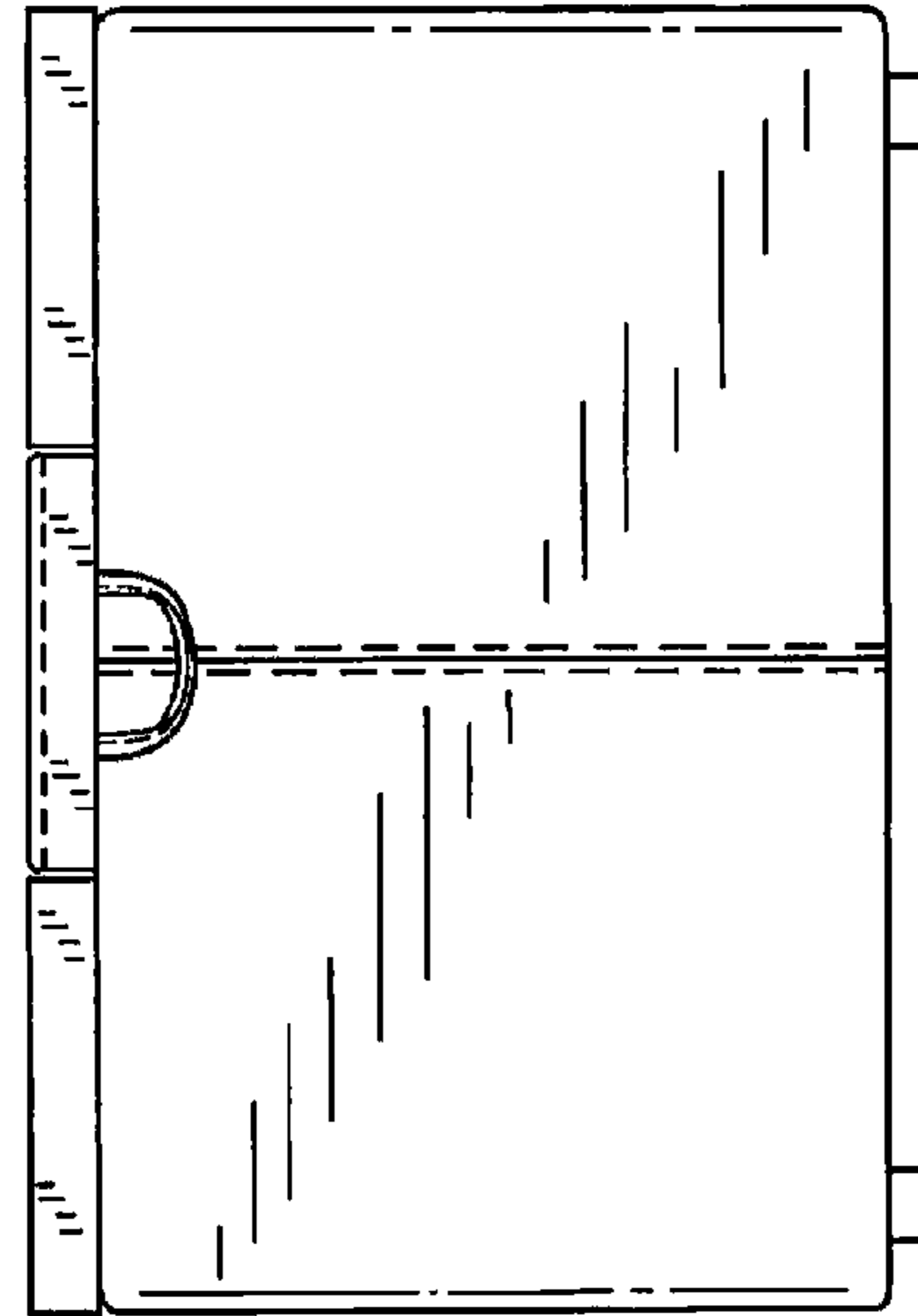


Fig. 4

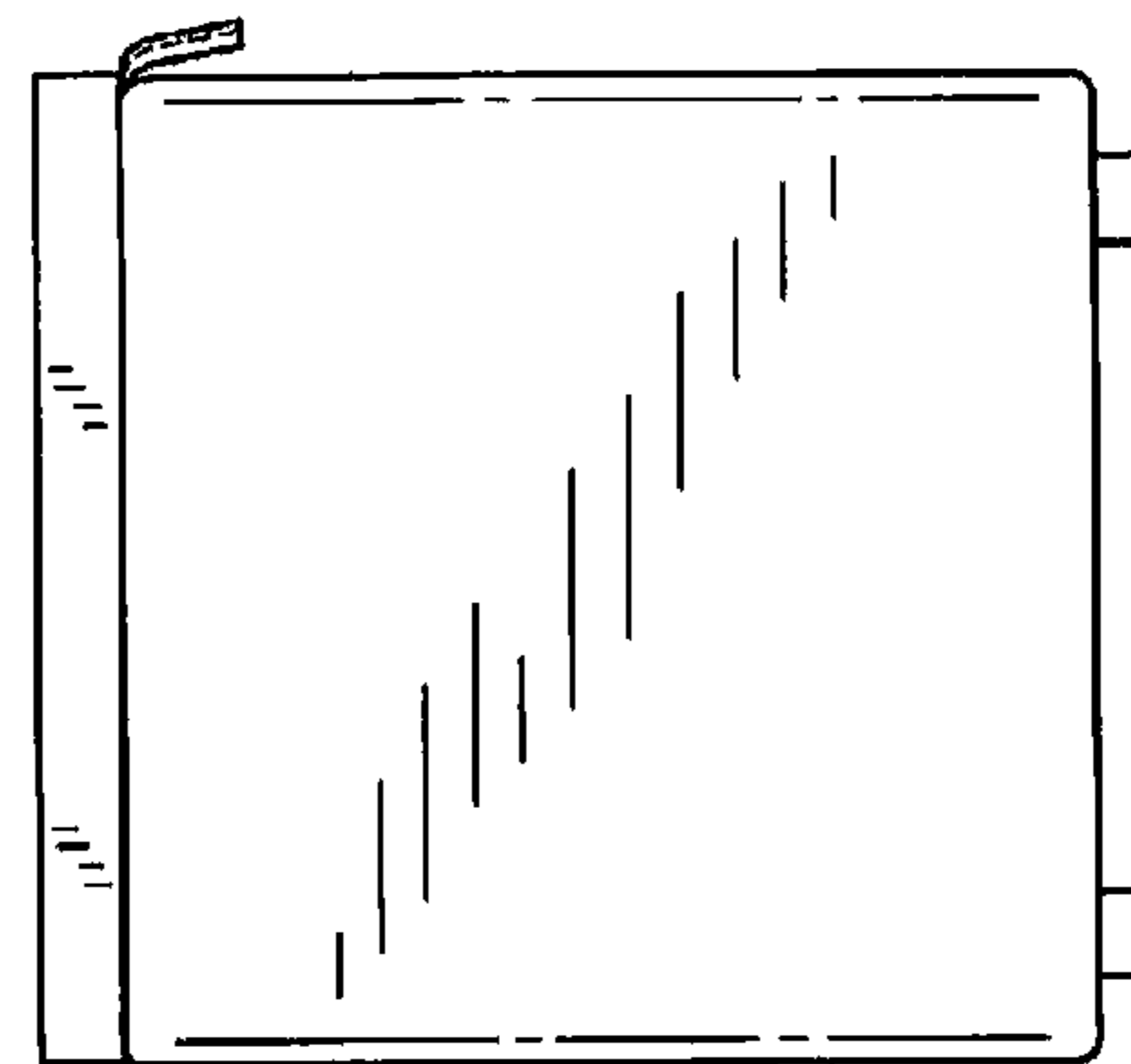


Fig. 6

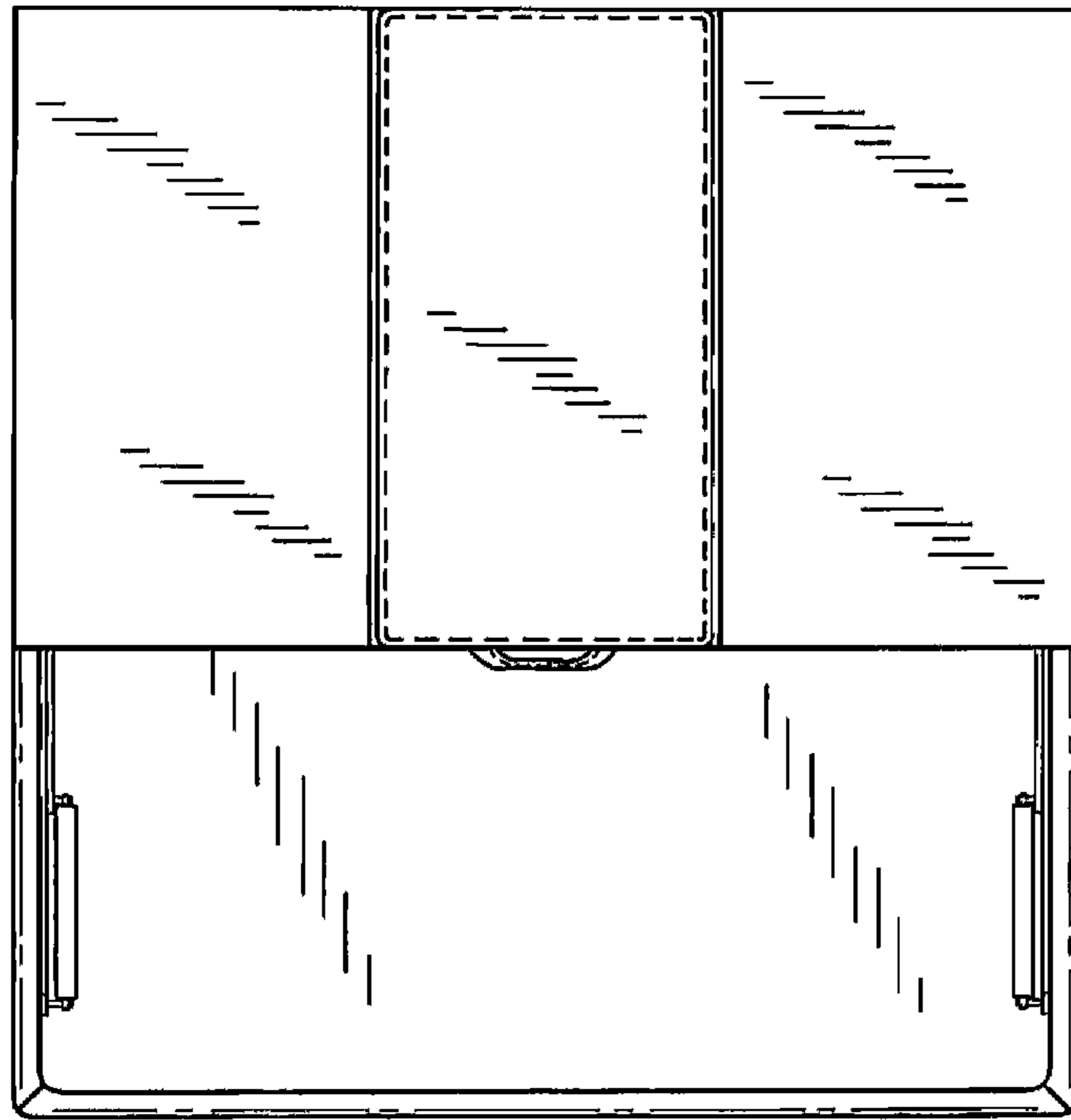


Fig. 7

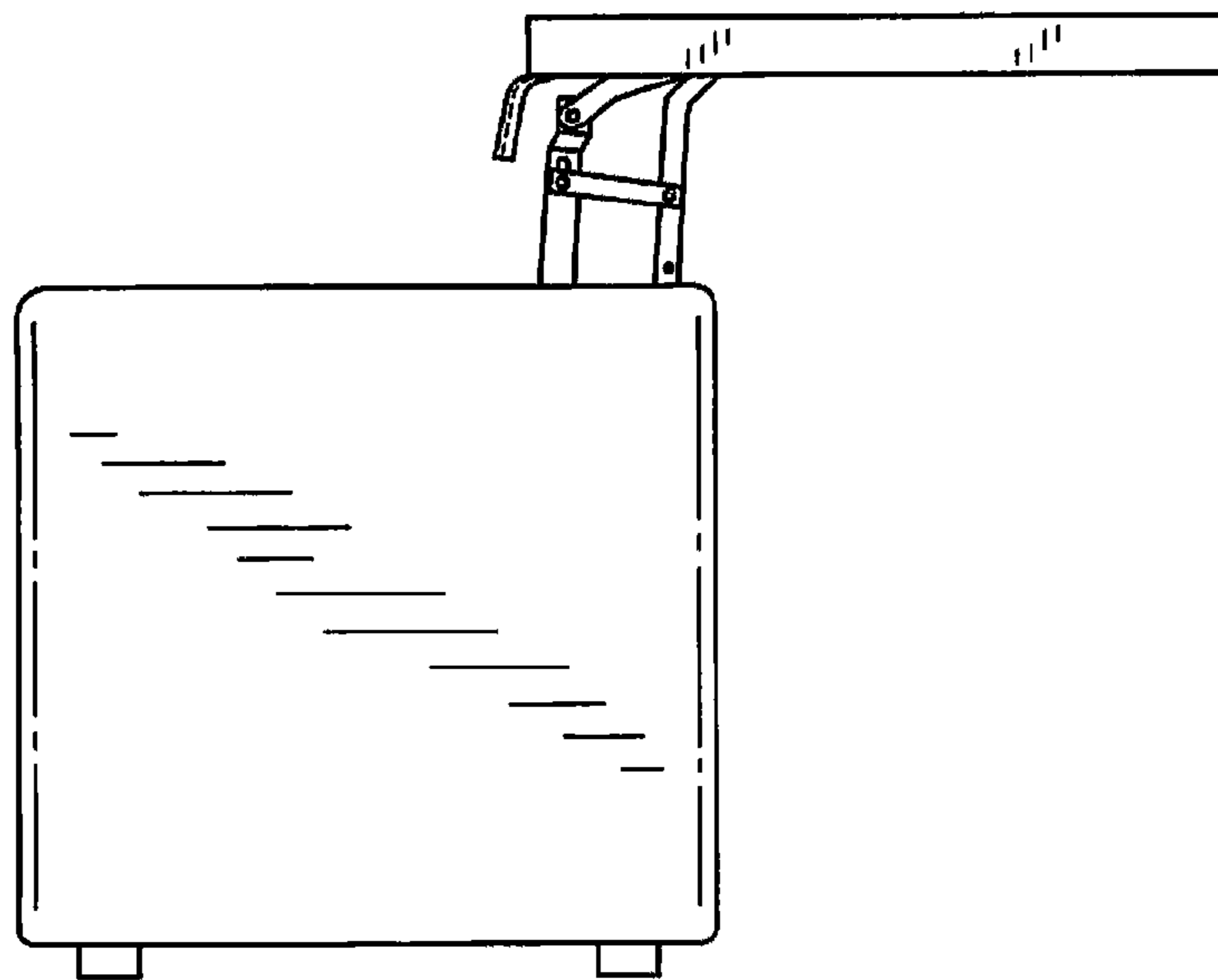


Fig. 8

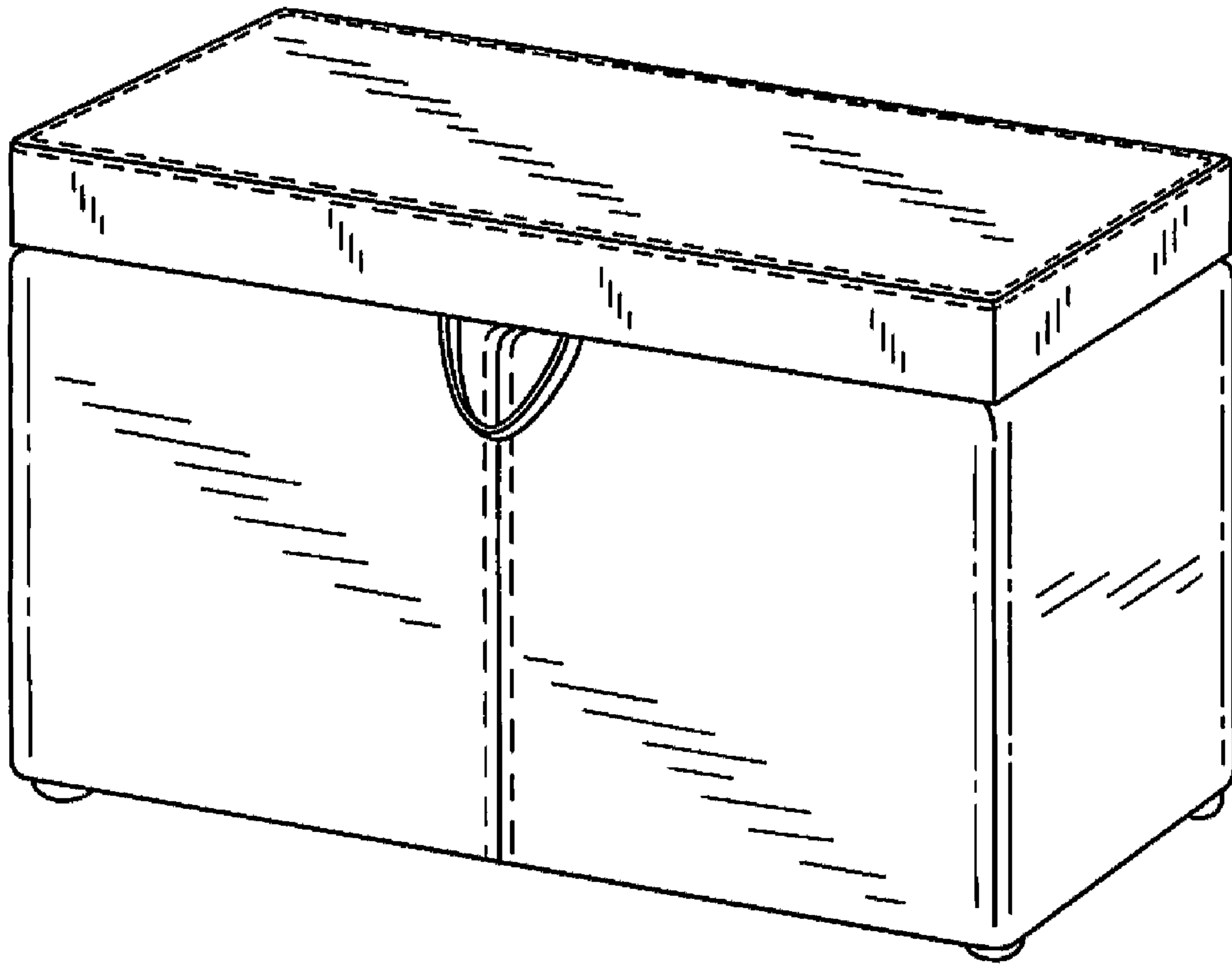


Fig. 9

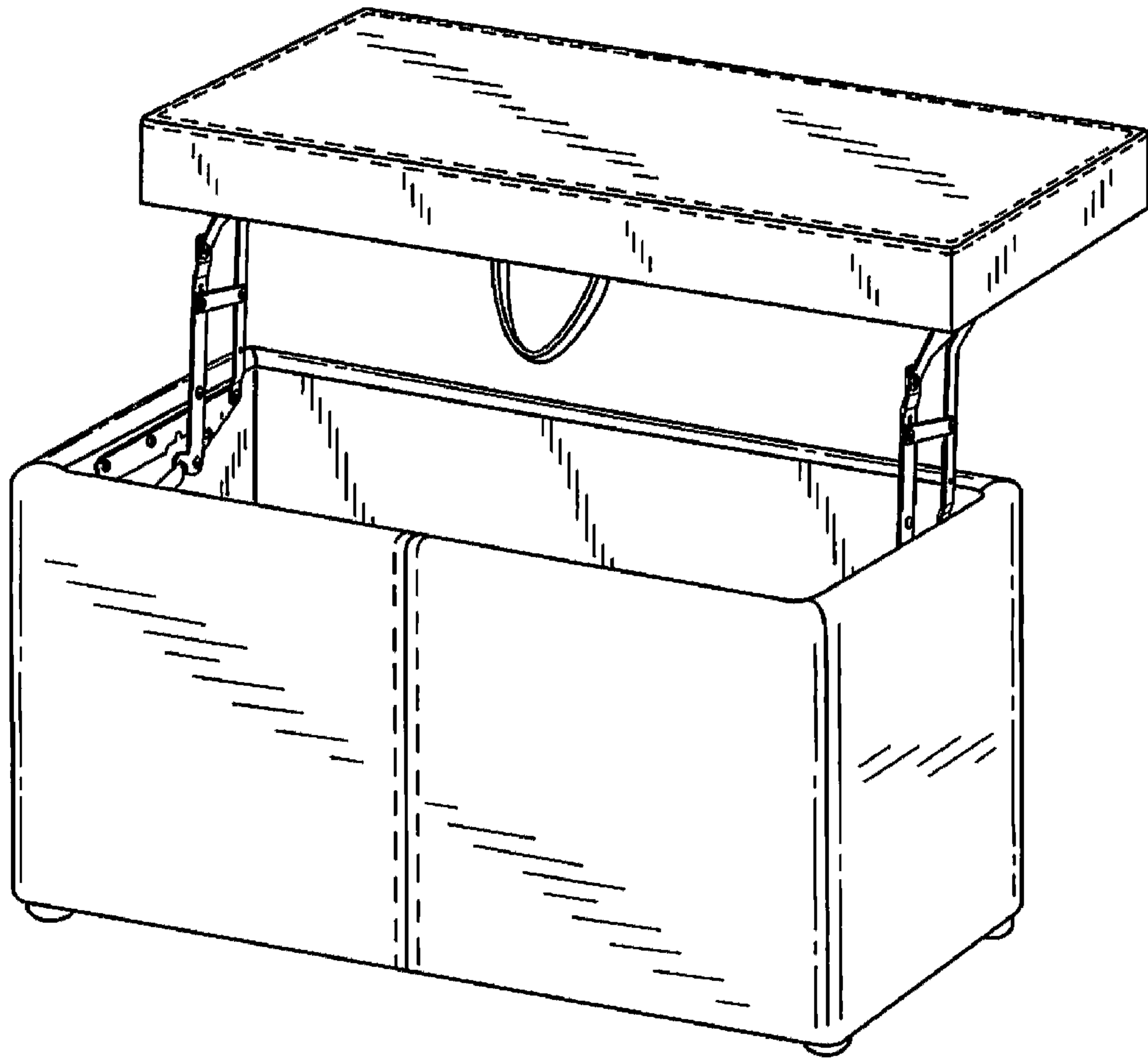


Fig. 10

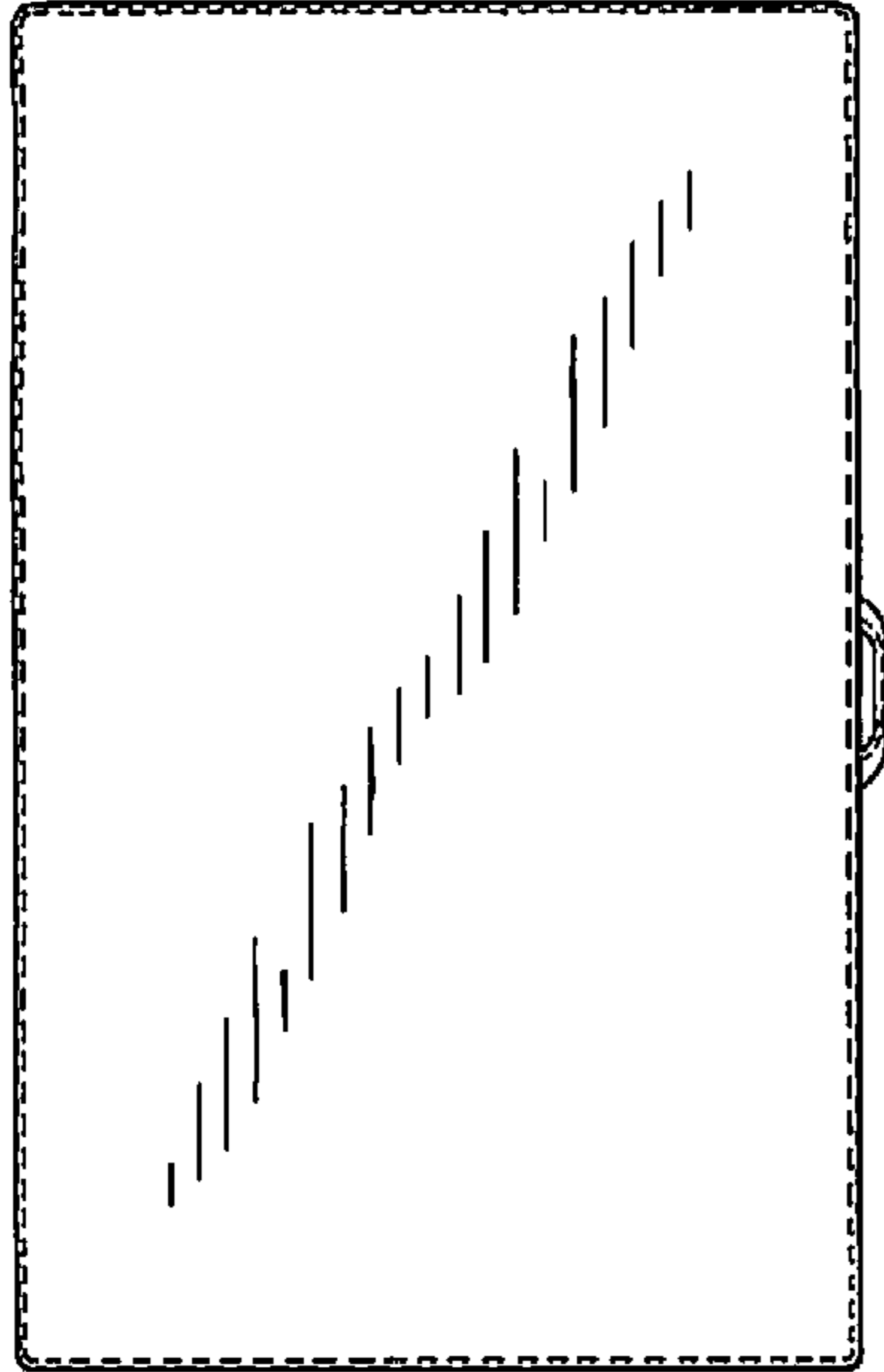


Fig. 11

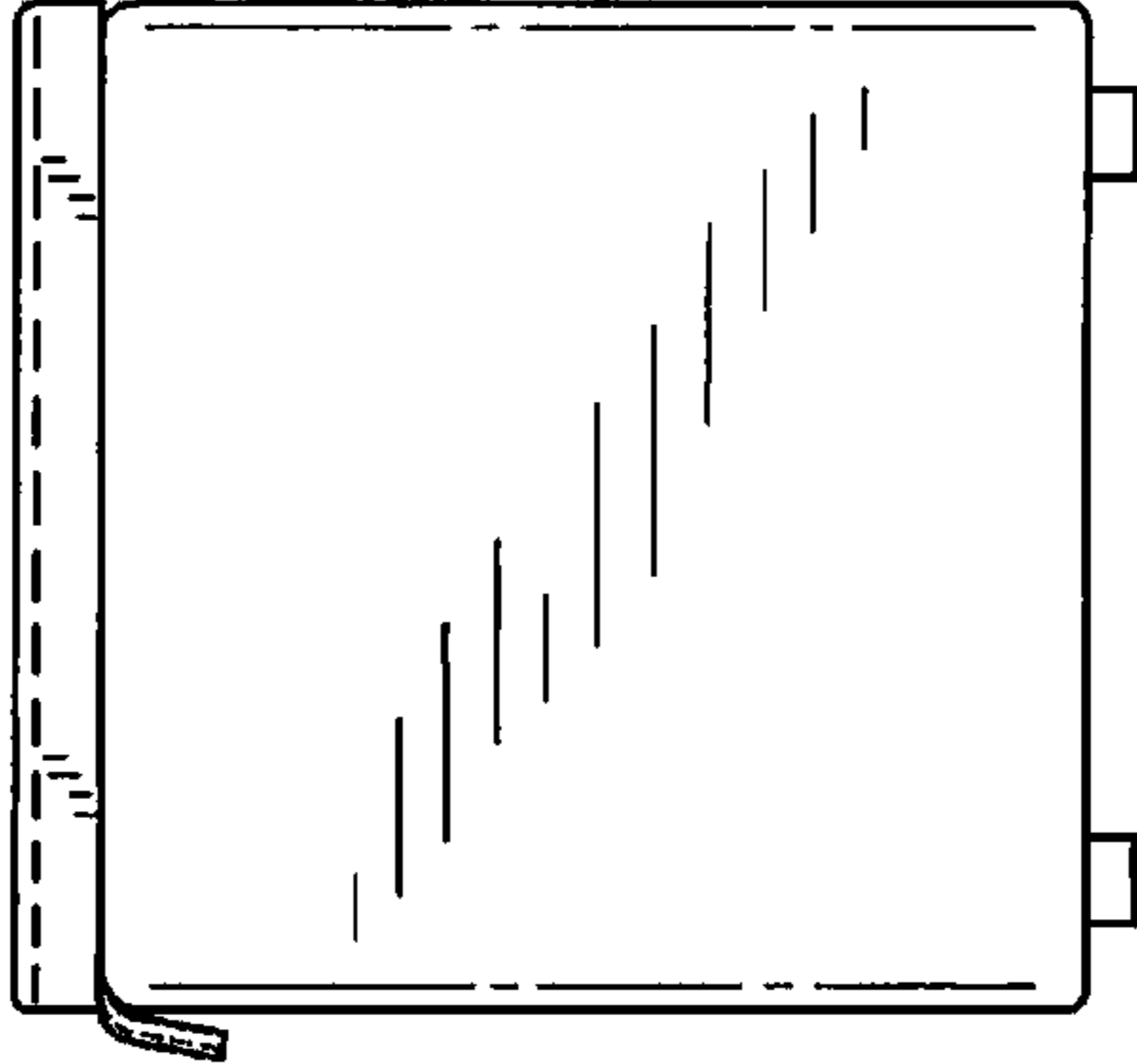


Fig. 13

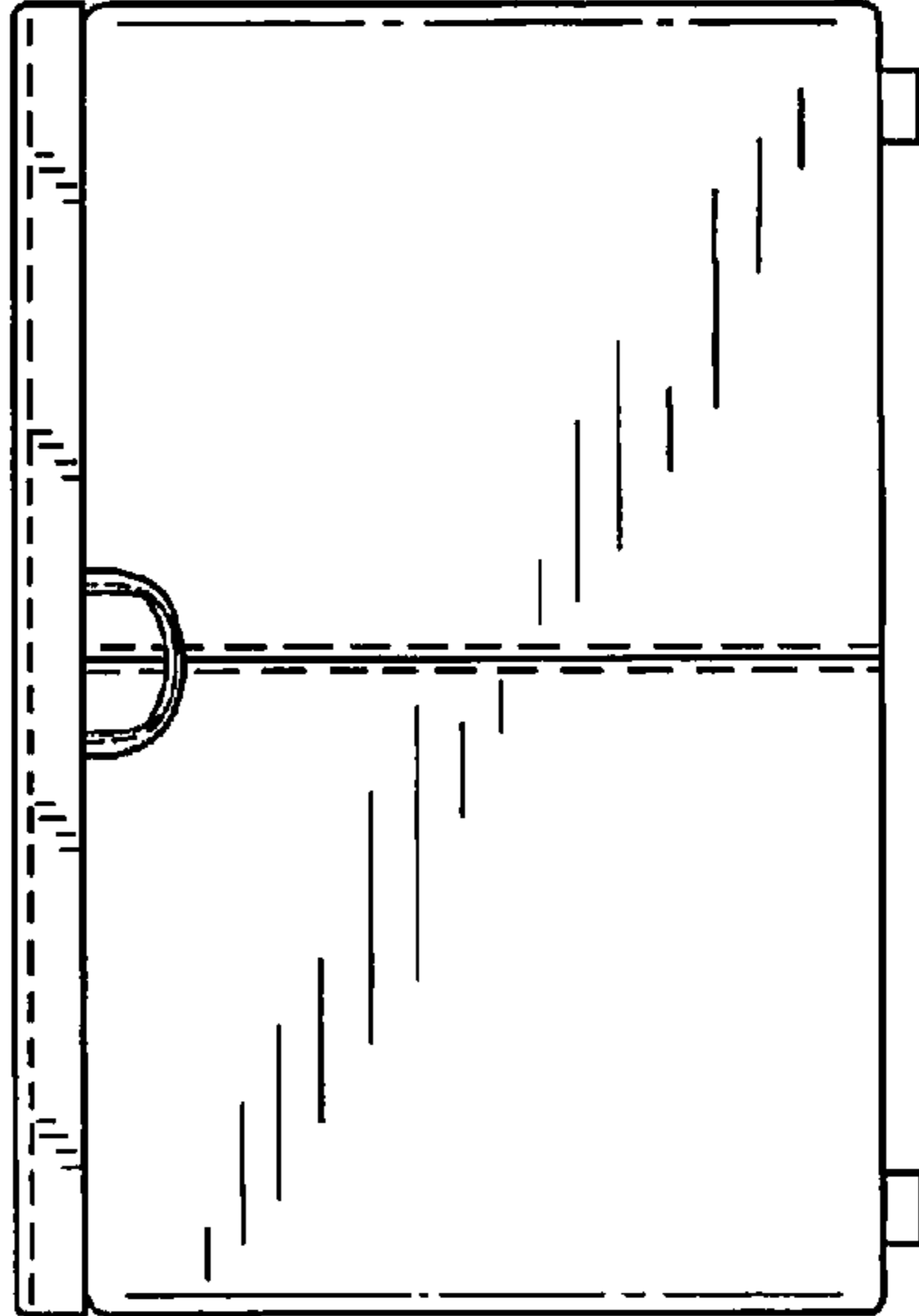


Fig. 12

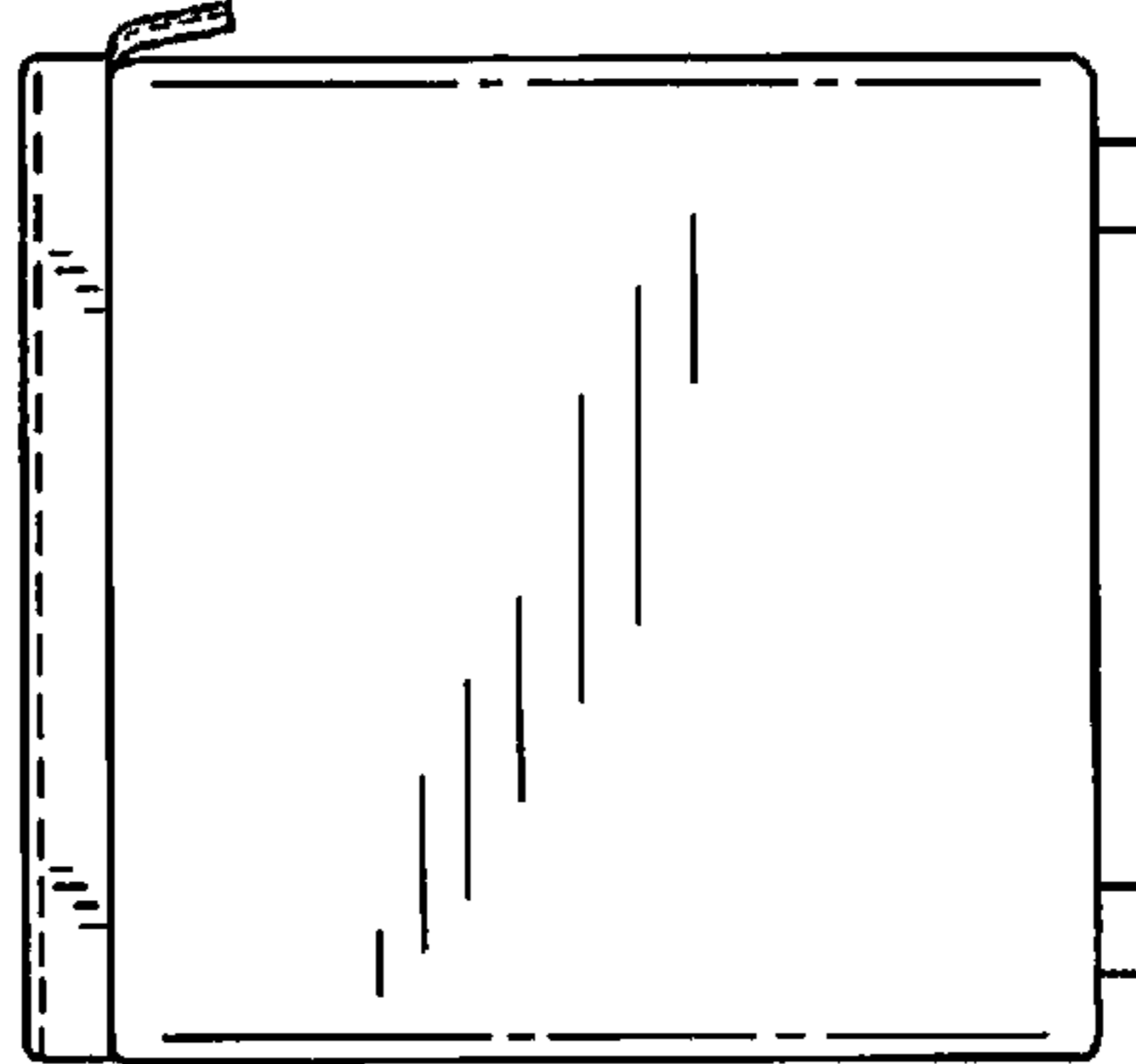


Fig. 14