



US00D674615S

(12) **United States Design Patent**
Blomstrom et al.

(10) **Patent No.:** **US D674,615 S**
(45) **Date of Patent:** **** Jan. 22, 2013**

(54) **TABLET CHAIR**

(75) Inventors: **John K. Blomstrom**, Minneapolis, MN (US); **Patrick W. Fricke**, Green Bay, WI (US); **Daniel J. Noll**, Madison, WI (US)

(73) Assignee: **Krueger International, Inc.**, Green Bay, WI (US)

(**) Term: **14 Years**

(21) Appl. No.: **29/390,273**

(22) Filed: **Apr. 22, 2011**

(51) **LOC (9) Cl.** **06-01**

(52) **U.S. Cl.** **D6/341**

(58) **Field of Classification Search** D6/334, D6/335, 337, 349, 353, 380, 381, 500-502, D6/374, 364, 336, 338, 341; 297/14, 43, 297/44, 118, 140, 245, 300.1, 311, 353, 354.1, 297/445.1, 446.1, 446.2, 447.4, 465, 900, 297/DIG. 2, DIG. 7; 5/12.1, 12.2

See application file for complete search history.

(56) **References Cited**

U.S. PATENT DOCUMENTS

3,380,778	A	4/1968	Barecki	
4,372,605	A	2/1983	Cervantes	
4,763,919	A	8/1988	Nakao et al.	
5,364,137	A	11/1994	Shimer	
D353,058	S	12/1994	Dallas	
5,816,649	A	10/1998	Shields	
5,954,393	A	9/1999	Perrin	
D417,342	S *	12/1999	Holbrook	D6/341
6,237,997	B1	5/2001	Olson	
D477,921	S *	8/2003	Bosman et al.	D6/338
6,669,282	B2 *	12/2003	Piretti	297/162

6,733,073	B2	5/2004	Whiteside et al.	
D511,416	S	11/2005	Obbitts et al.	
7,207,625	B1	4/2007	Hardt, II et al.	
D555,372	S *	11/2007	Lin	D6/336
7,407,232	B2	8/2008	Sakamoto et al.	
D597,758	S	8/2009	Barrett et al.	
7,597,392	B1	10/2009	Gilmore	
7,600,820	B2	10/2009	Bouche et al.	
D611,740	S	3/2010	Koh	
7,726,732	B1	6/2010	Keating	
D636,613	S *	4/2011	Overthun et al.	D6/338
2005/0140186	A1	6/2005	Piretti	
2005/0140187	A1	6/2005	Kordecki	
2007/0284920	A1 *	12/2007	Mehaffey et al.	297/162

* cited by examiner

Primary Examiner — Sandra Snapp

(74) *Attorney, Agent, or Firm* — Andrus, Sceales, Starke & Sawall, LLP

(57) **CLAIM**

The ornamental design for a tablet chair, as shown and described.

DESCRIPTION

FIG. 1 is an isometric view of a tablet chair incorporating our new design;

FIG. 2 is a top plan view thereof;

FIG. 3 is a front elevation view thereof;

FIG. 4 is a right side elevation view thereof;

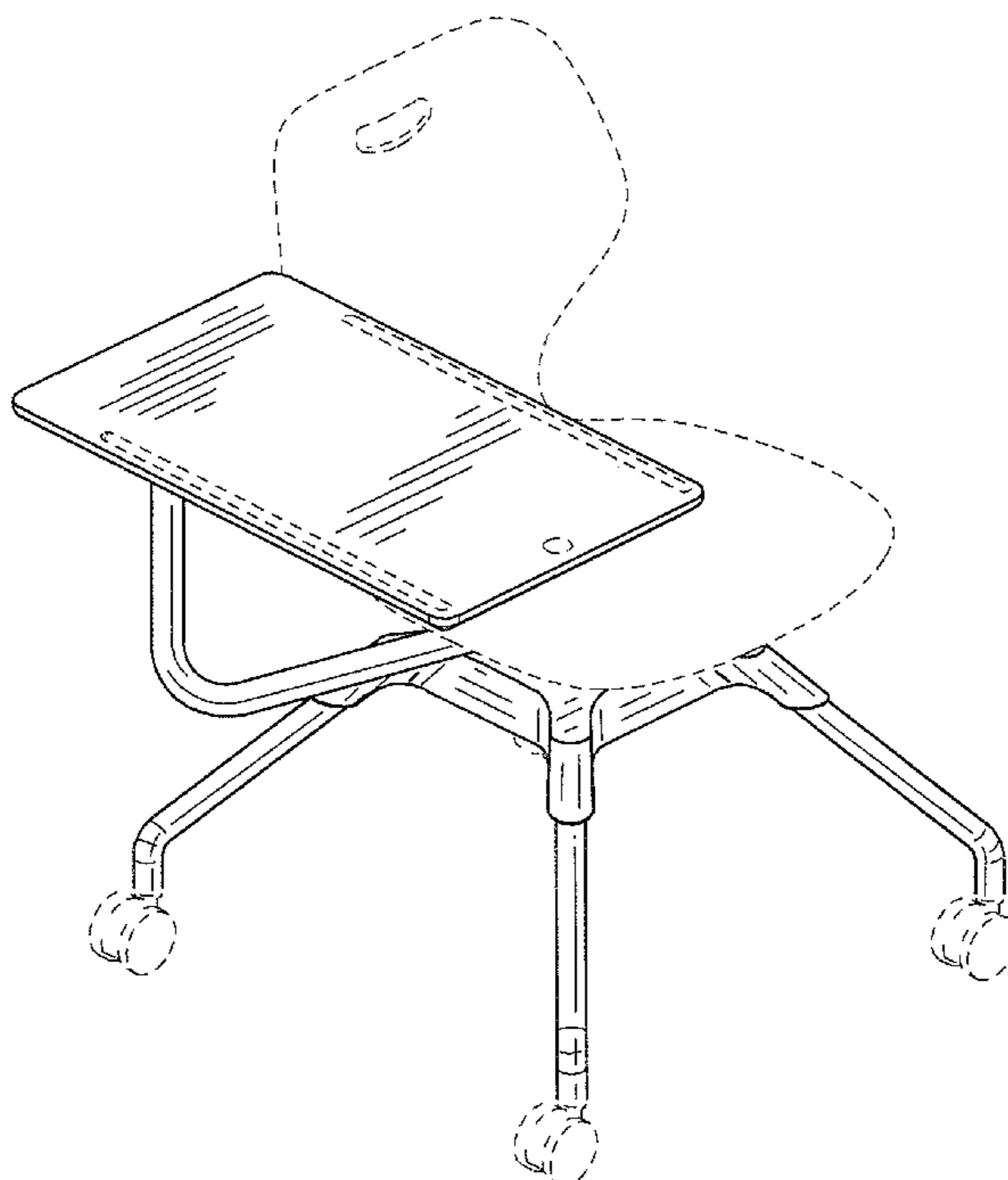
FIG. 5 is a left side elevation view thereof;

FIG. 6 is a rear elevation view thereof; and,

FIG. 7 is an isometric view of the tablet chair with the tablet rotated to an alternate position.

The portions shown in phantom illustrate environment and form no part of the claimed design.

1 Claim, 6 Drawing Sheets



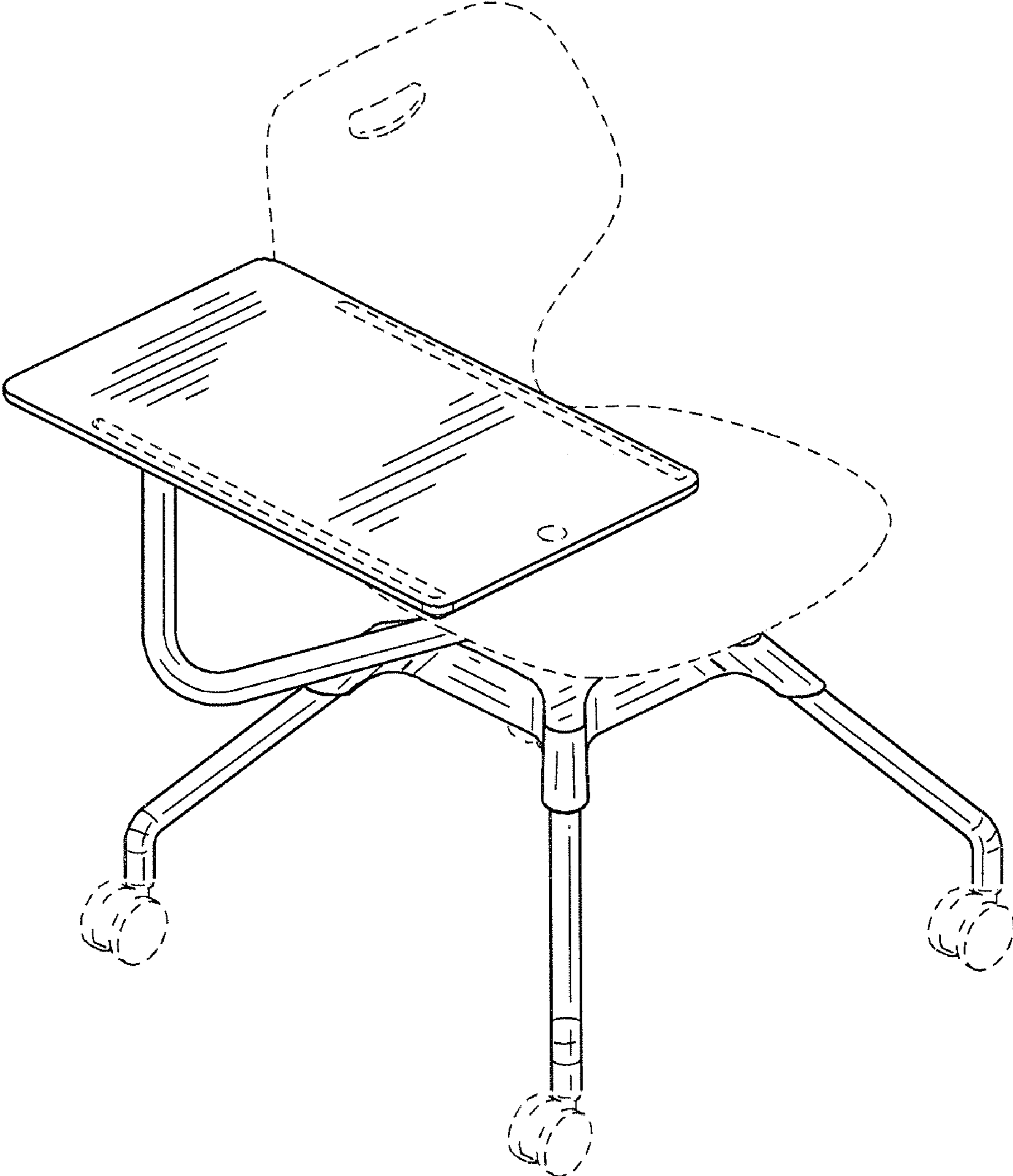
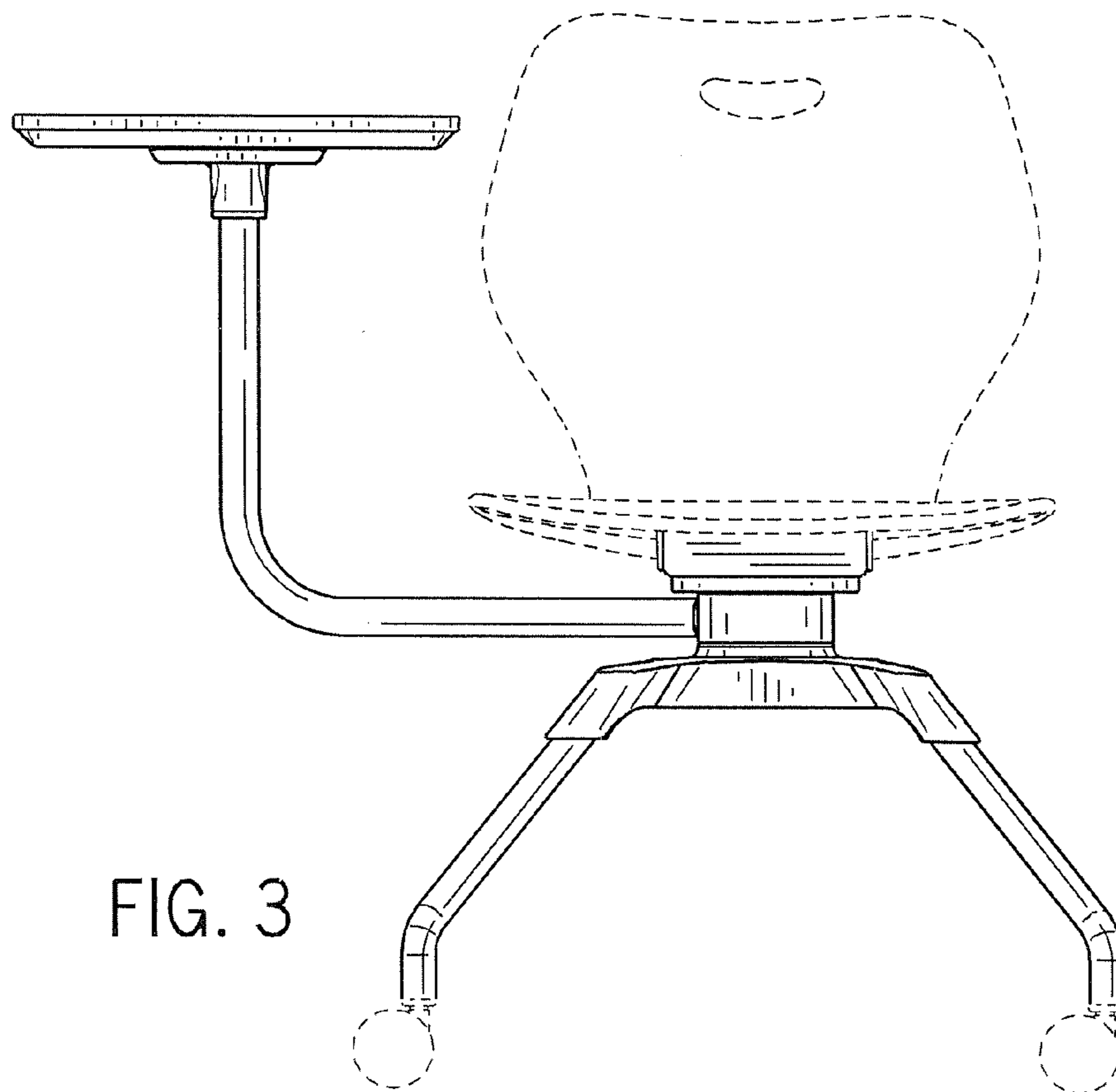
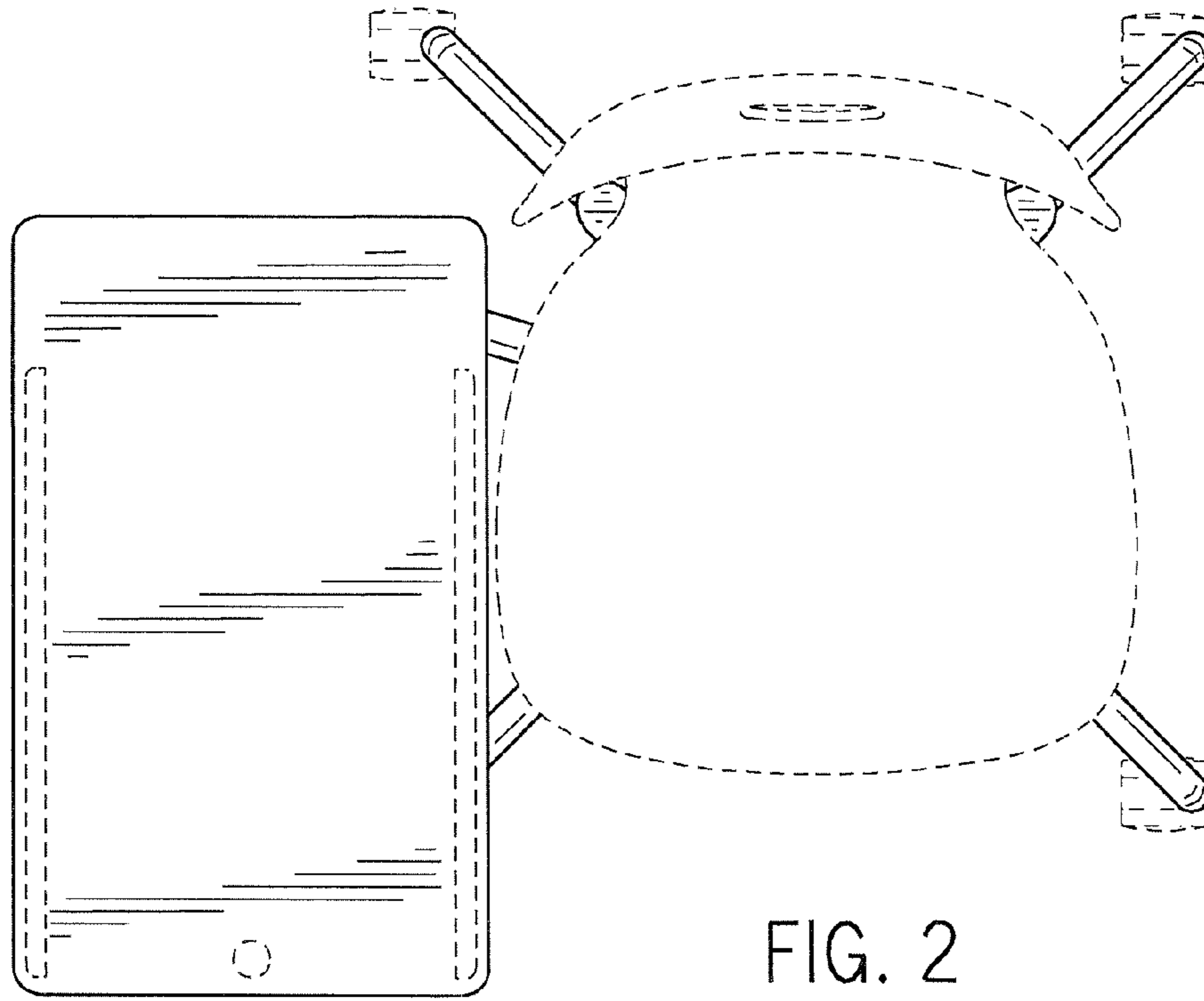


FIG. 1



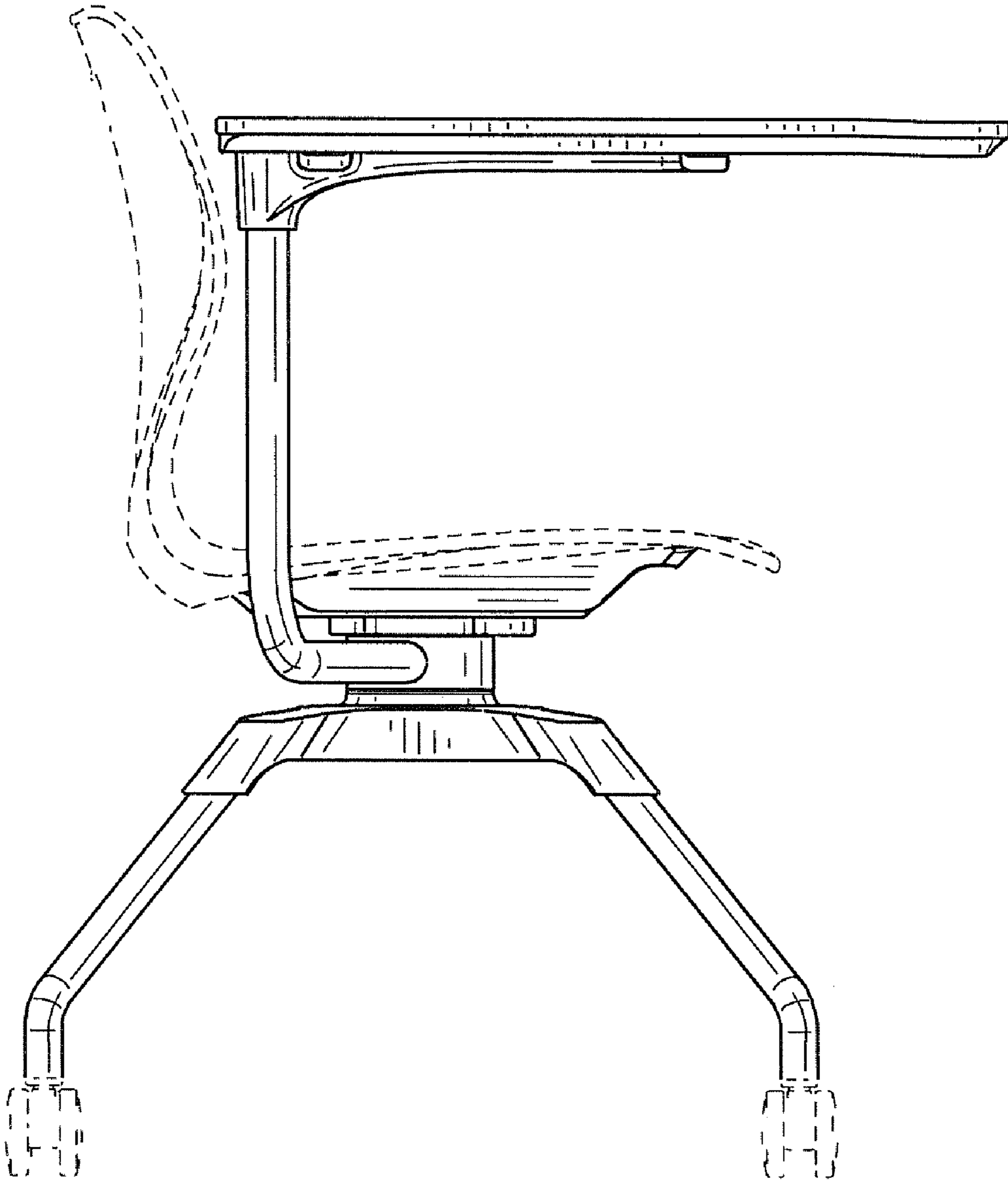


FIG. 4

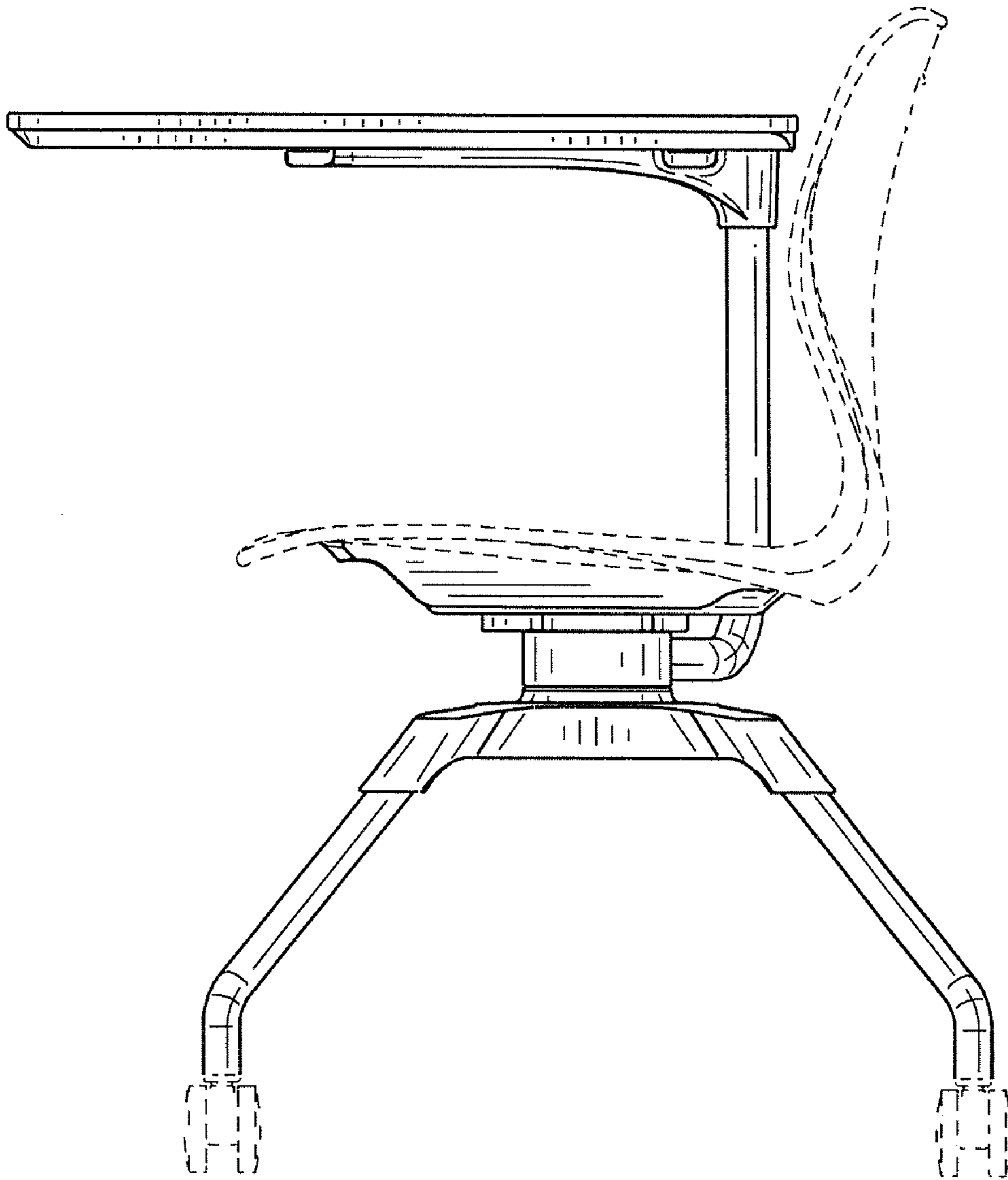


FIG. 5

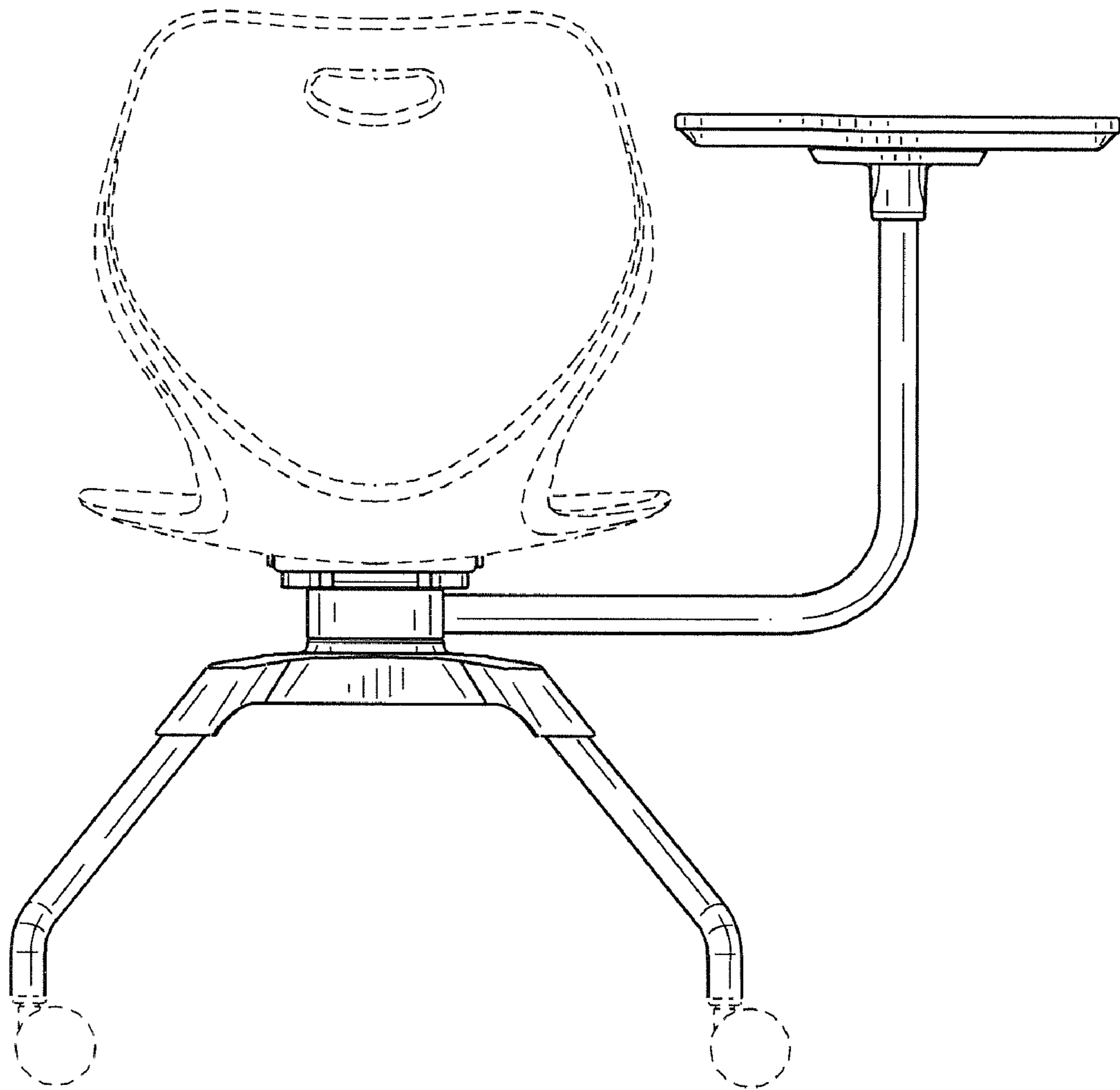


FIG. 6

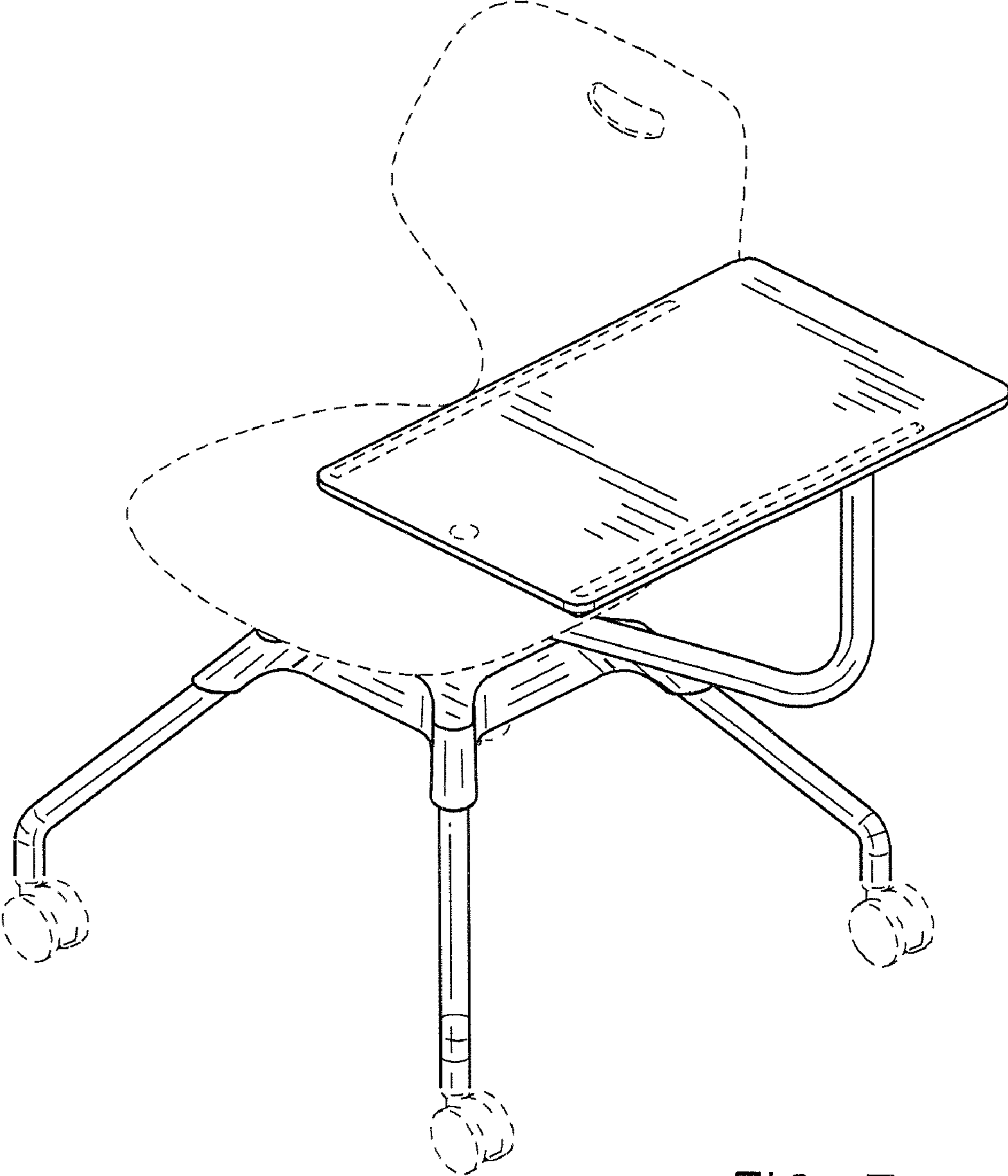


FIG. 7