



US00D674611S

(12) **United States Design Patent**
Gullatt

(10) **Patent No.:** **US D674,611 S**
(45) **Date of Patent:** **** Jan. 22, 2013**

(54) **LINT REMOVER WITH SPIRAL MOTIF**

(76) Inventor: **Ryan Gullatt**, Willoughby Hills, OH
(US)

(**) Term: **14 Years**

(21) Appl. No.: **29/381,823**

(22) Filed: **Dec. 23, 2010**

(51) **LOC (9) Cl.** **04-01**

(52) **U.S. Cl.** **D4/122**

(58) **Field of Classification Search** 132/218;
D23/225; D4/114, 115, 116, 122, 137, 132,
D4/120, 121, 138, 128, 131, 136, 133, 134,
D4/135, 117, 118, 119, 123, 127, 130, 199,
D4/101; D5/58; 15/104.002, 209.1, 118,
15/230.11, 244.2, 186, 116.2, 206; 92/169.1;
D28/7, 76; 401/219, 144, 15, 197, 145, 146,
401/218, 170, 268, 278; 119/628

See application file for complete search history.

(56) **References Cited**

U.S. PATENT DOCUMENTS

1,756,308	A *	4/1930	Schmidt	101/350.1
2,690,119	A *	9/1954	Black	101/148
2,807,039	A *	9/1957	Butler	15/104.002
3,343,194	A *	9/1967	Ramelson	15/104.002
3,433,693	A *	3/1969	Evensen	156/242
4,750,422	A *	6/1988	Gysin	101/493
5,016,530	A *	5/1991	Palmatier	101/352.13
6,524,173	B1 *	2/2003	Nelson et al.	451/178
D483,534	S *	12/2003	Nelson et al.	D32/25

7,413,786	B2 *	8/2008	Wada et al.	428/40.1
D618,919	S *	7/2010	Catalfamo et al.	D5/58
7,794,832	B2 *	9/2010	Rueckert	428/343
D625,107	S *	10/2010	Kieler et al.	D4/122
2002/0144367	A1 *	10/2002	McKay, Jr.	15/104.002
2003/0088928	A1 *	5/2003	Shizuno et al.	15/104.002
2003/0165650	A1 *	9/2003	Hirota et al.	428/40.1
2004/0134003	A1 *	7/2004	McKay, Jr.	15/104.002
2005/0026759	A1 *	2/2005	McKay et al.	492/56
2005/0221043	A1 *	10/2005	Williamson	428/40.1
2006/0005333	A1 *	1/2006	Catalfamo et al.	15/104.002
2006/0040080	A1 *	2/2006	Wada et al.	428/40.1

* cited by examiner

Primary Examiner — Kevin Rudzinski

(74) *Attorney, Agent, or Firm* — John D. Gugliotta, P.E.,
Esq.; Nicholas A. Mihalic, Esq.; Howard L. Wernow, Esq.

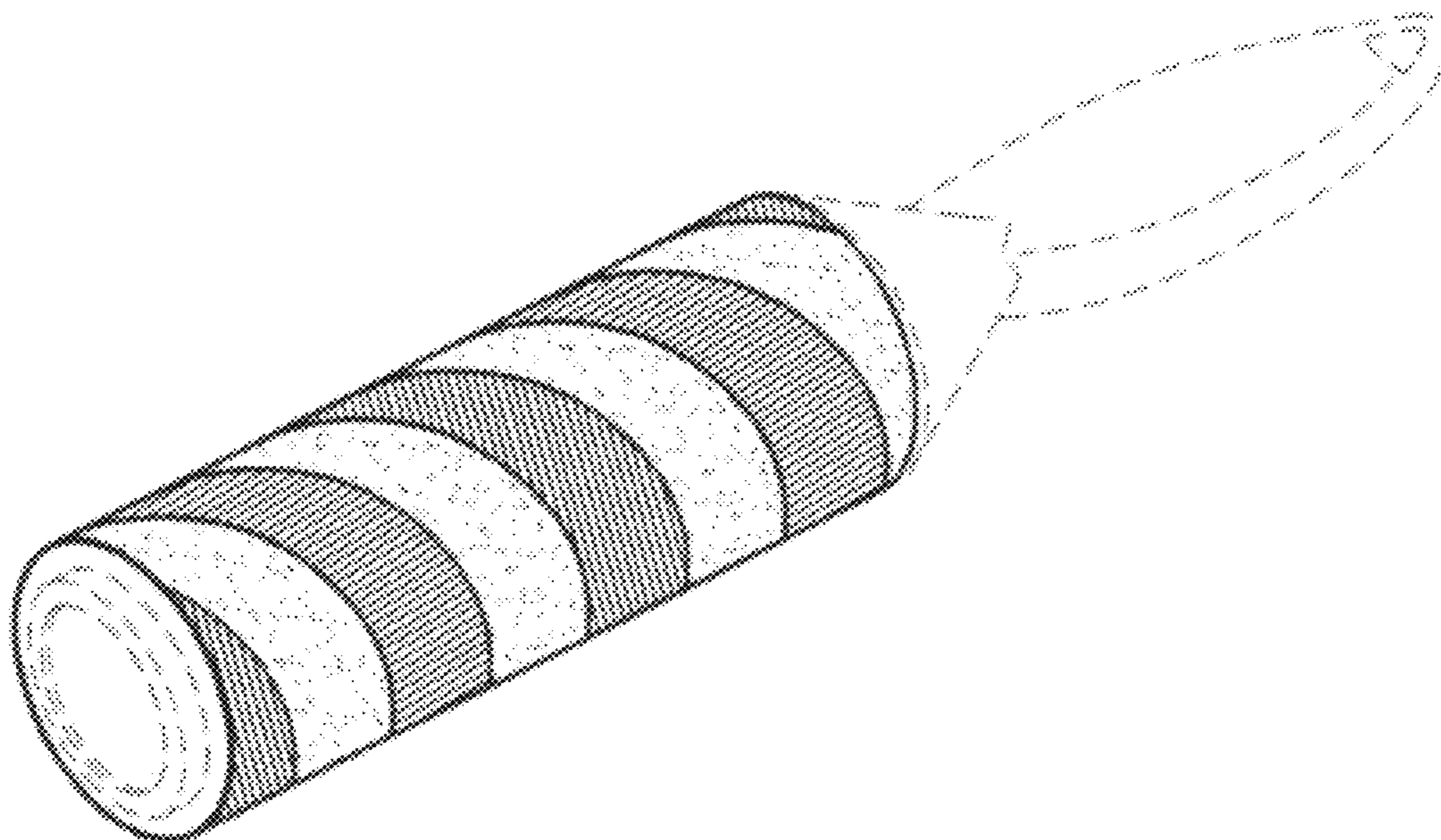
(57) **CLAIM**

The ornamental design for a lint remover with spiral motif, as shown and described.

DESCRIPTION

FIG. 1 is a perspective view of a lint remover with spiral motif showing the preferred embodiment of my new design;
FIG. 2 is a front elevational view thereof;
FIG. 3 is a back elevational view thereof;
FIG. 4 is left side view thereof;
FIG. 5 is a right side view thereof;
FIG. 6 is a top plan view thereof; and,
FIG. 7 is a bottom plan view thereof.
Dashed lines in the figures represent a handle of a lint roller and form no part of the present invention.

1 Claim, 2 Drawing Sheets



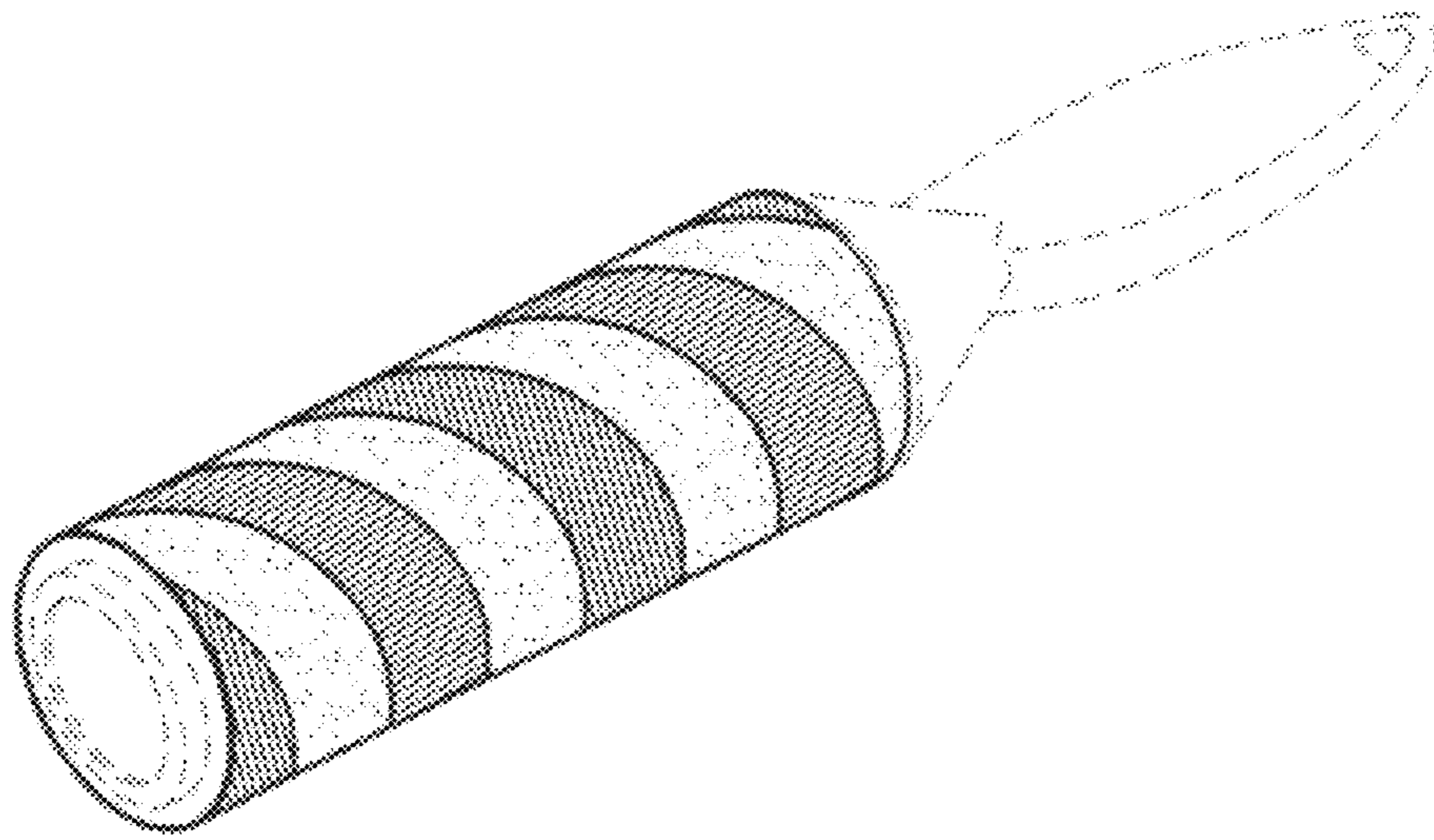


FIG. 1

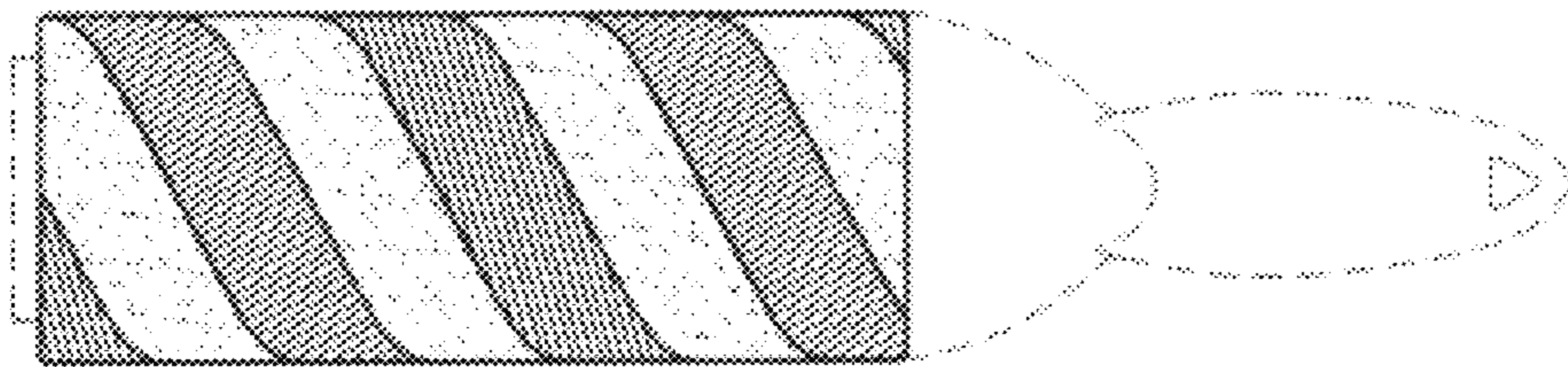


FIG. 2

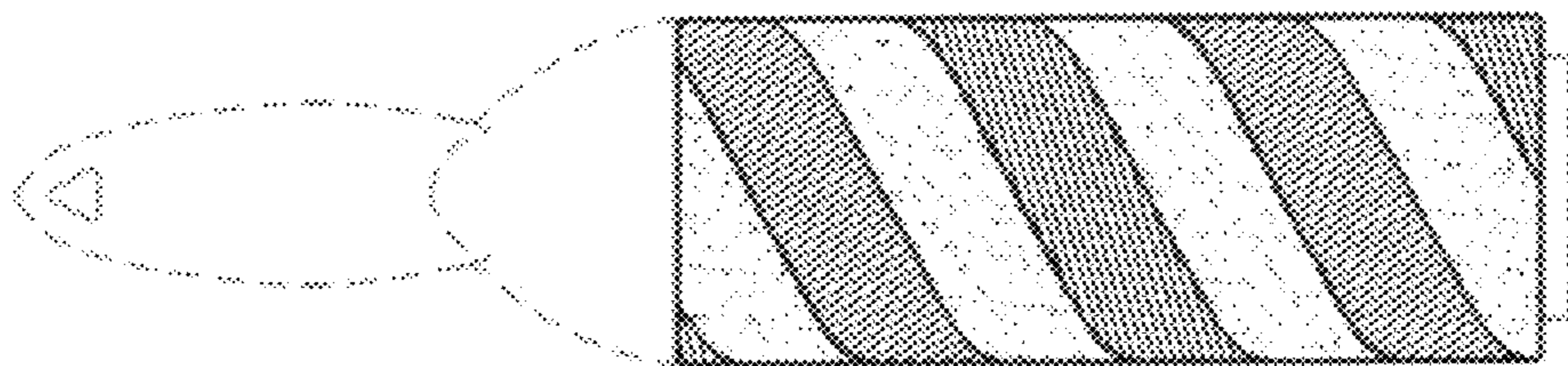


FIG. 3

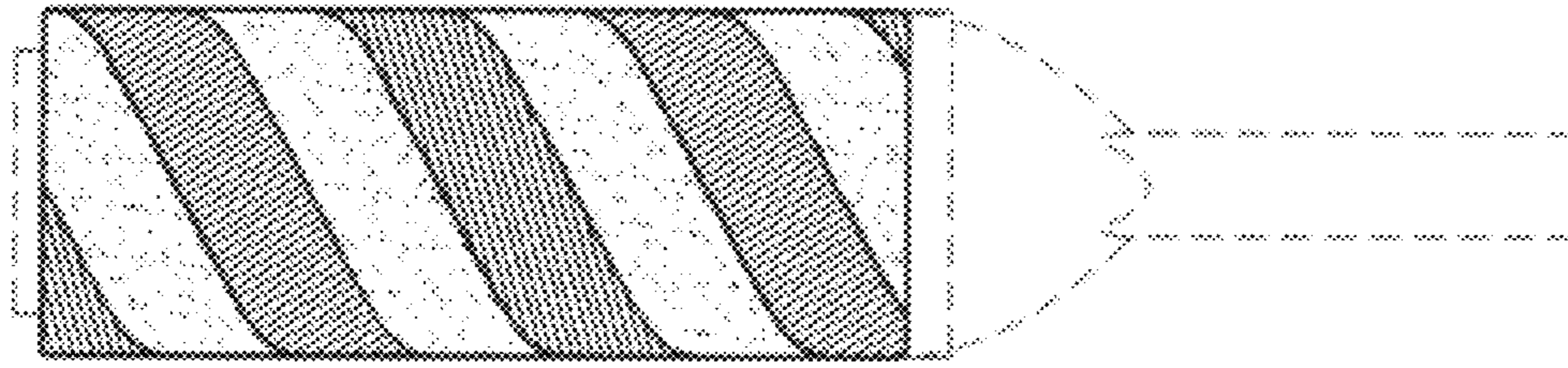


FIG. 4

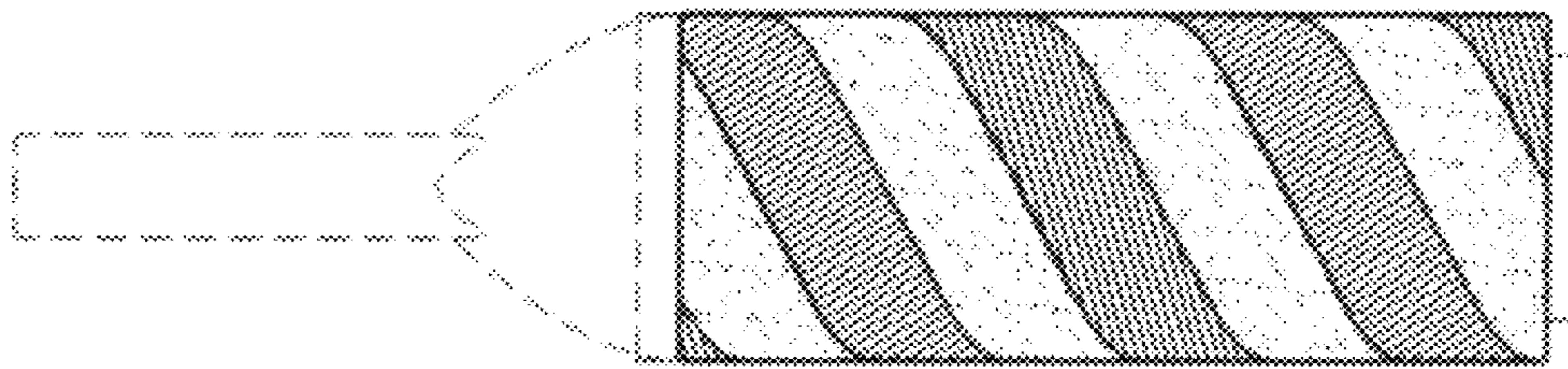


FIG. 5

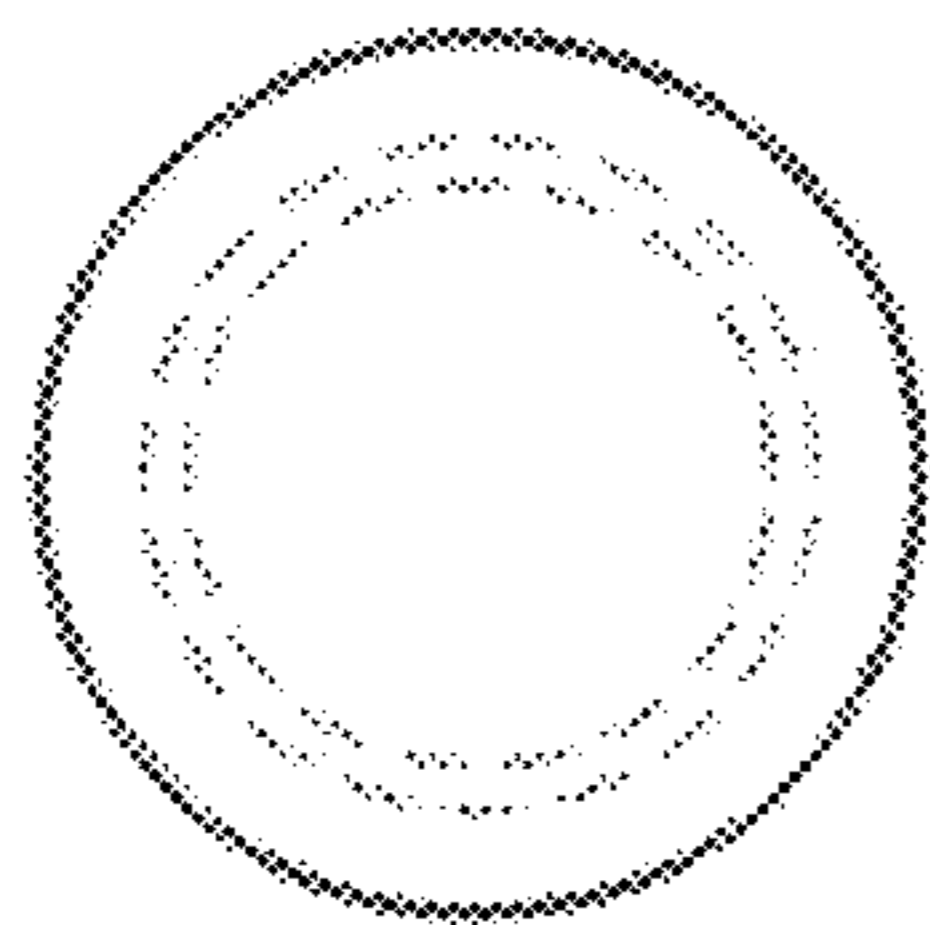


FIG. 6

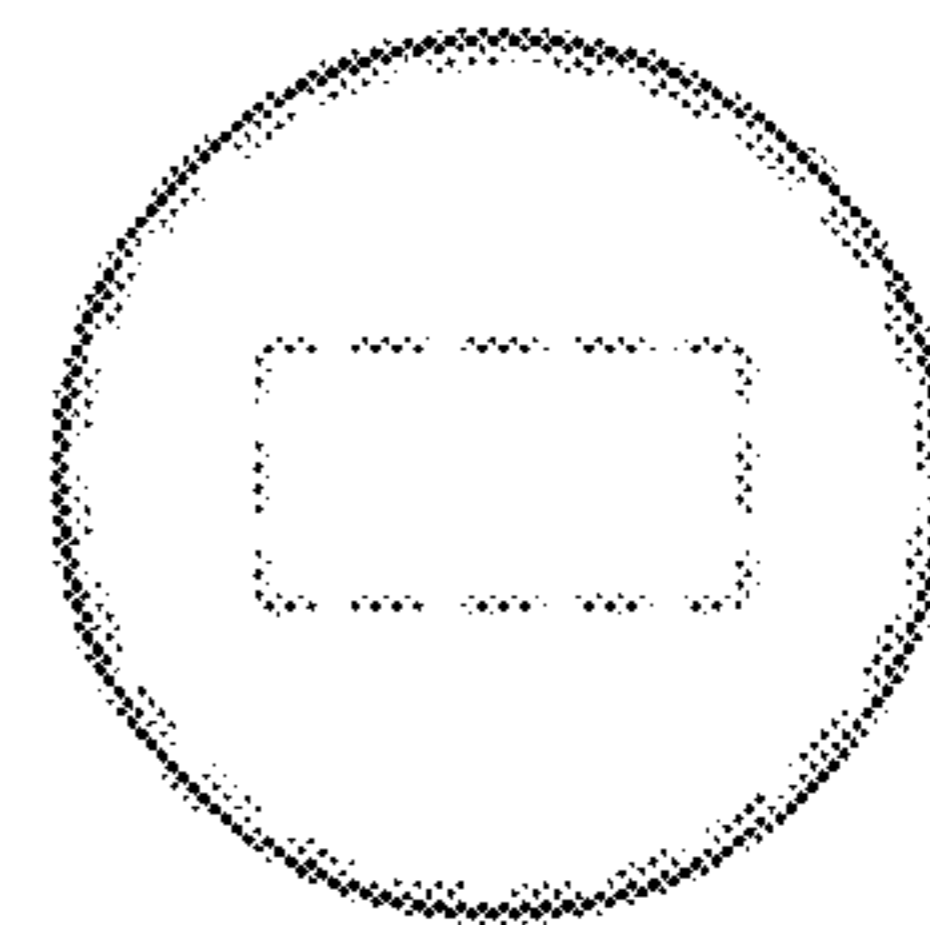


FIG. 7