



US00D674607S

(12) **United States Design Patent**
Ihlefeld

(10) **Patent No.:** **US D674,607 S**
(45) **Date of Patent:** **** Jan. 22, 2013**

(54) **HANDBAG ATTACHMENT**

(76) Inventor: **Nancy B. Ihlefeld**, Wilmington, NC
(US)

(**) Term: **14 Years**

(21) Appl. No.: **29/405,632**

(22) Filed: **Nov. 3, 2011**

(51) **LOC (9) Cl.** **03-01**

(52) **U.S. Cl.** **D3/318**

(58) **Field of Classification Search** D3/232-233,
D3/240-246, 318; 150/100, 103-110, 113-114,
150/117-119

See application file for complete search history.

(56) **References Cited**

U.S. PATENT DOCUMENTS

D257,081 S *	9/1980	Stern	D3/243
D383,903 S *	9/1997	Kopel	D3/233
D404,913 S *	2/1999	Campbell	D3/246
D441,527 S *	5/2001	Hersh et al.	D3/233

* cited by examiner

Primary Examiner — Holly Baynham

(74) *Attorney, Agent, or Firm* — QuickPatents, Inc.; Kevin Prince

(57) **CLAIM**

I claim the ornamental design for a handbag attachment, as shown and described.

DESCRIPTION

FIG. 1 is a perspective view of a handbag attachment, showing my new design;

FIG. 2 is a front elevational view thereof;

FIG. 3 is a rear elevational view thereof;

FIG. 4 is a top plan view thereof;

FIG. 5 is a bottom plan view thereof;

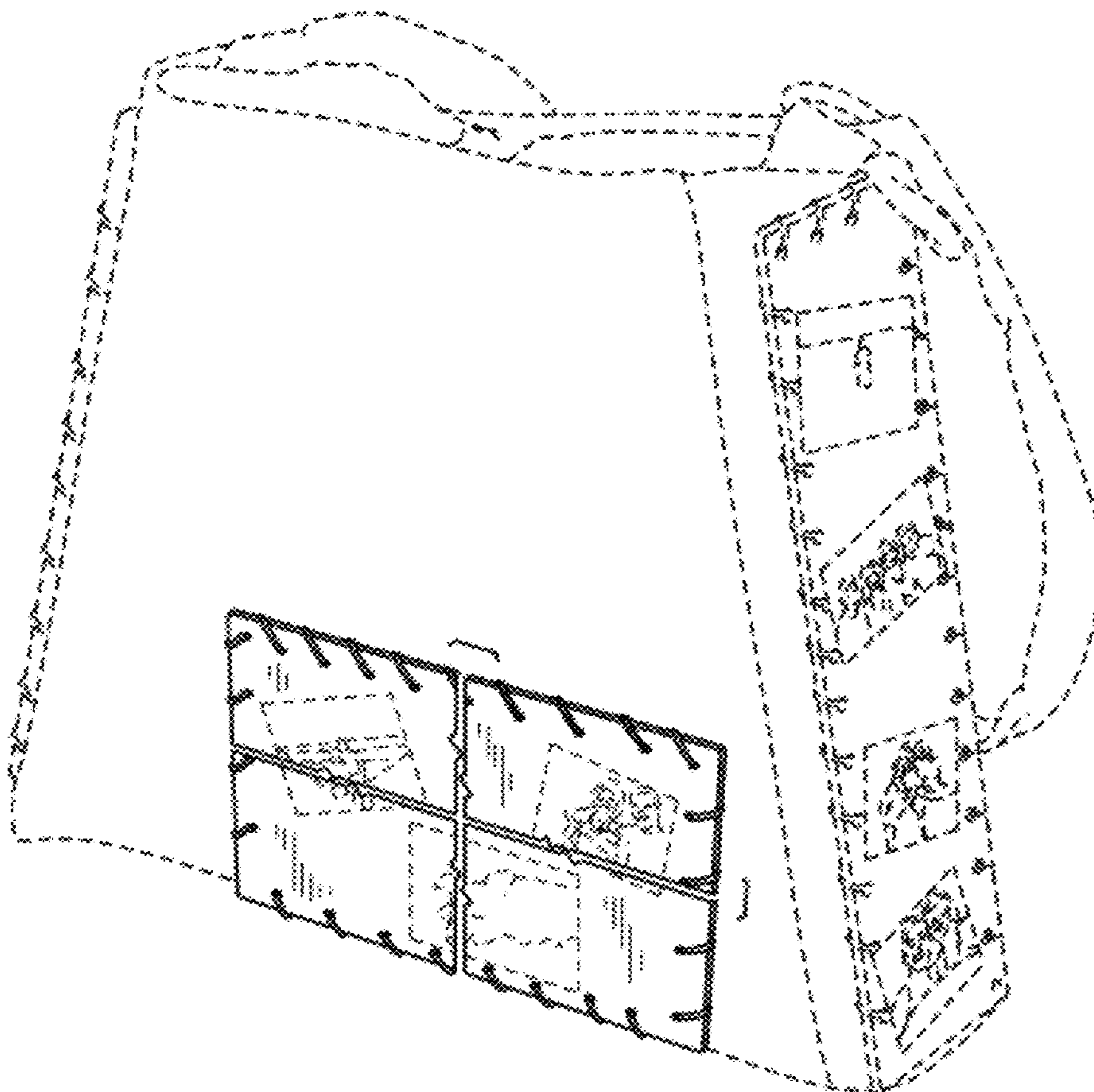
FIG. 6 is a left-side elevational view thereof; and,

FIG. 7 is a rear elevational view thereof.

The broken lines showing a handbag, photographs, and additional attachments in FIG. 1 depict environmental matter and form no part of the claimed design.

The broken away symbols in the drawings indicate that any portion of the article beyond what is shown forms no part of the claimed design.

1 Claim, 3 Drawing Sheets



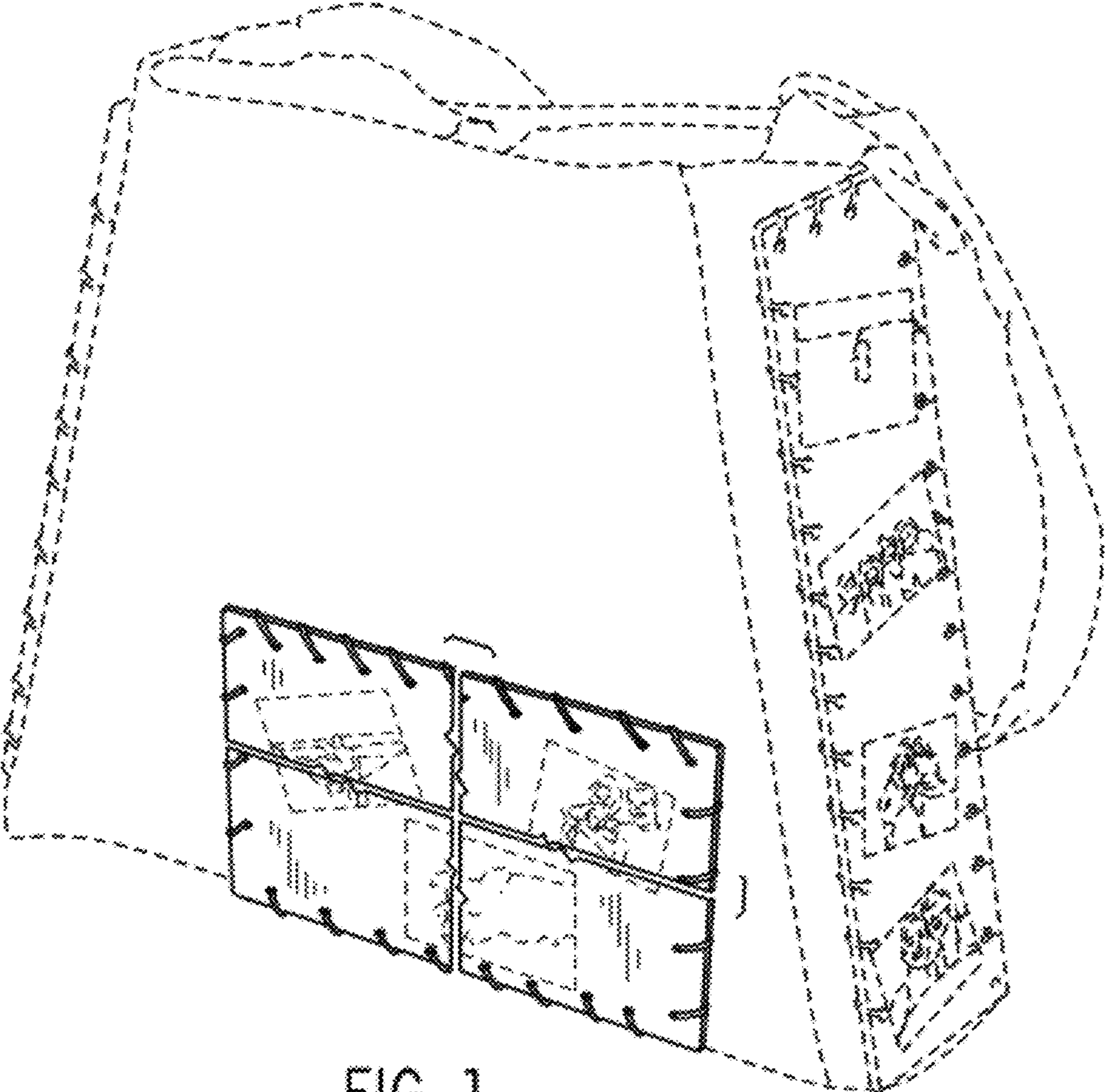


FIG. 1

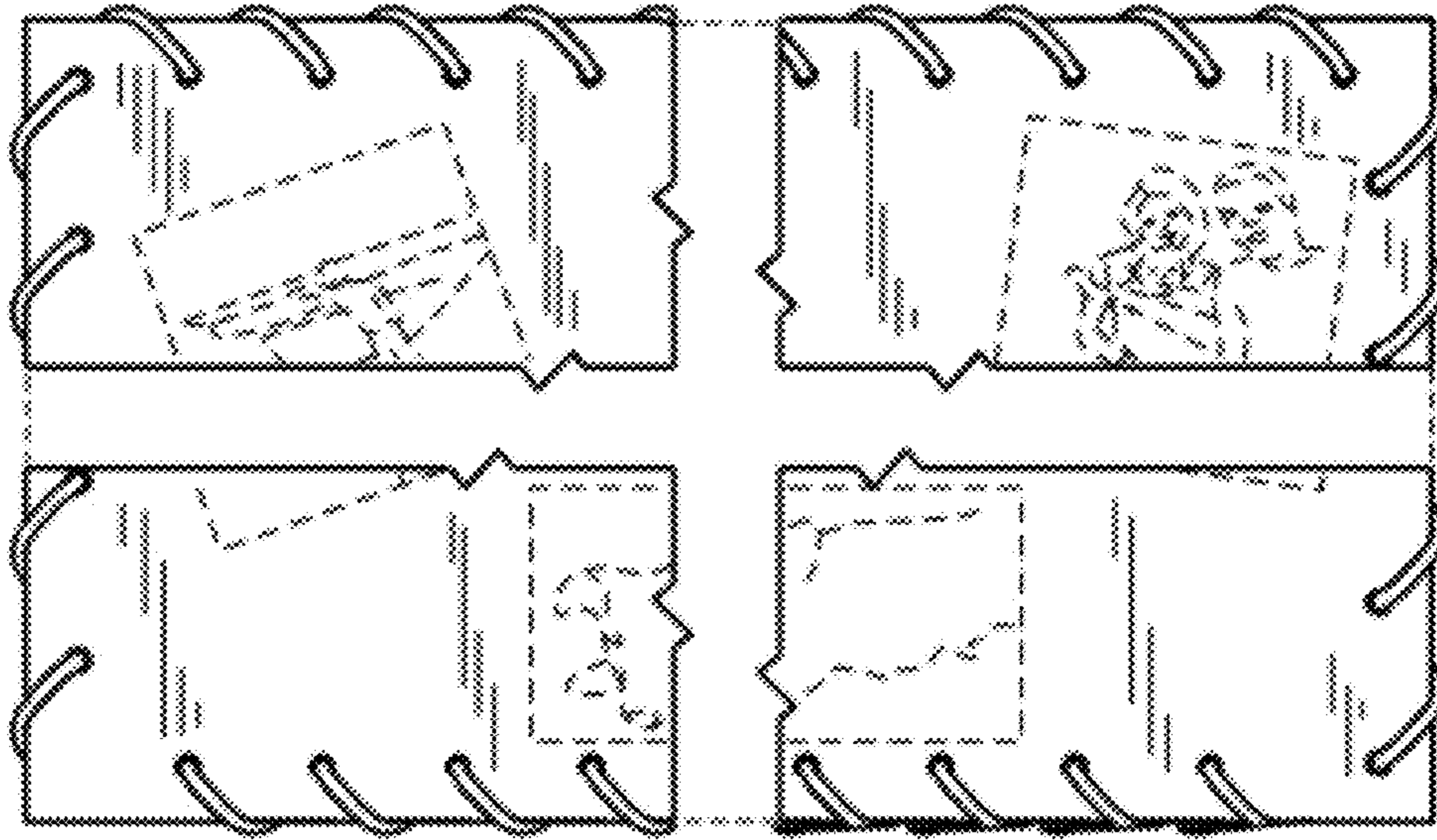


FIG. 2

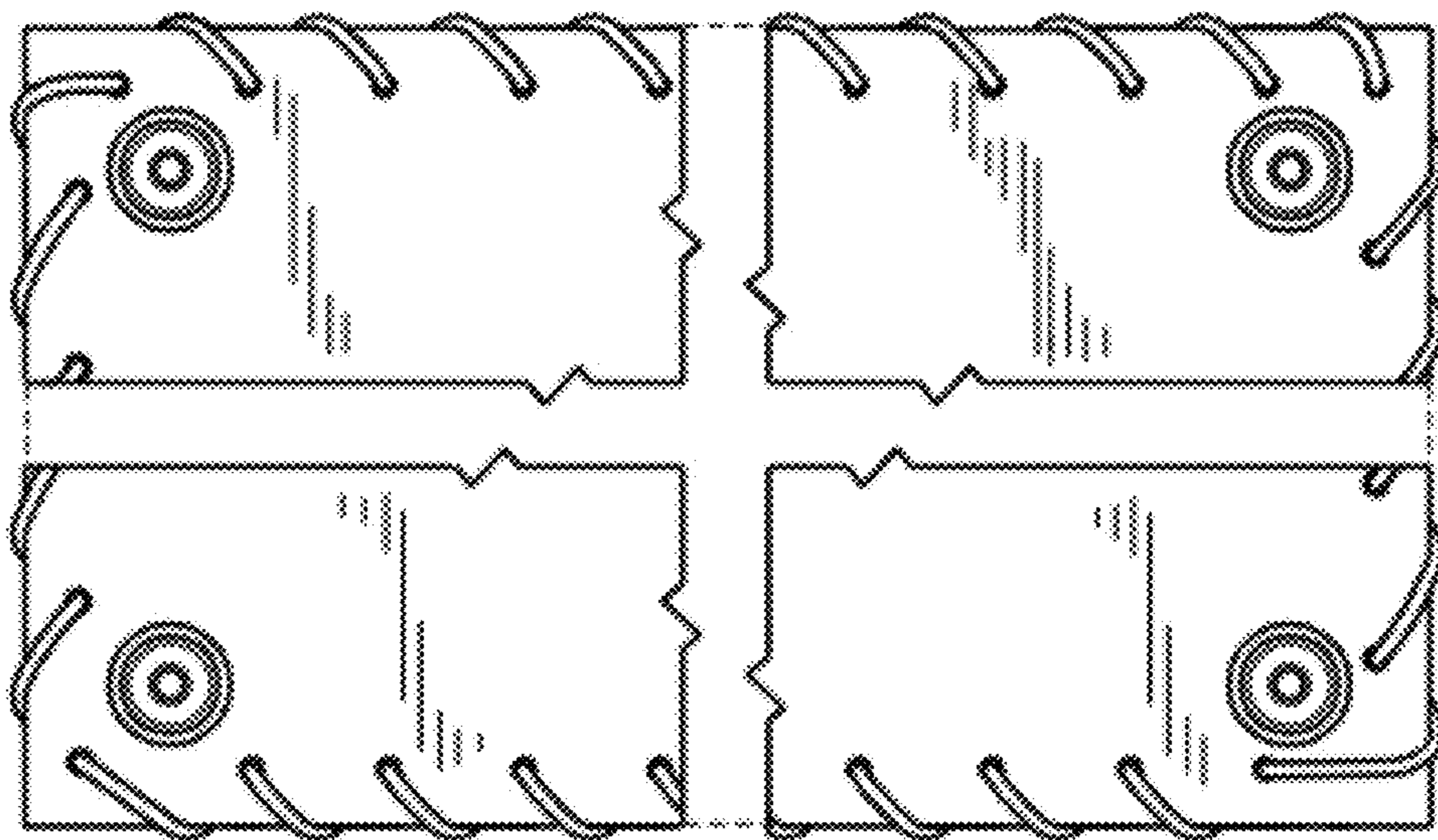


FIG. 3

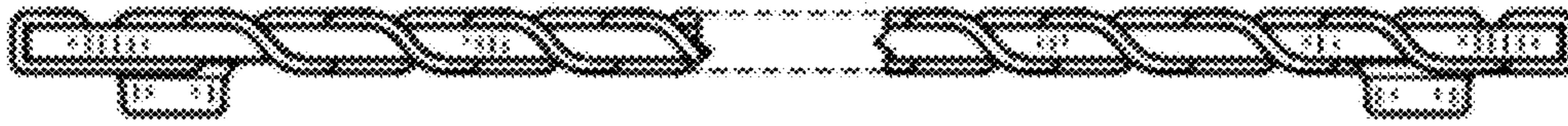


FIG. 4

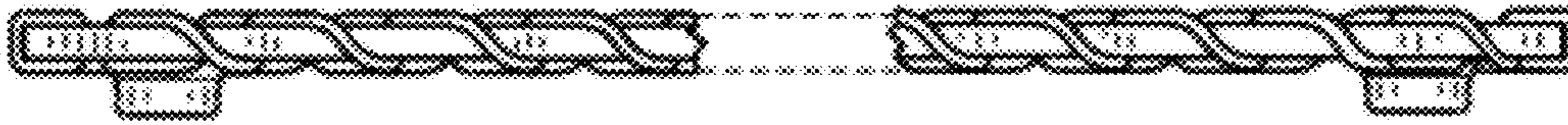


FIG. 5

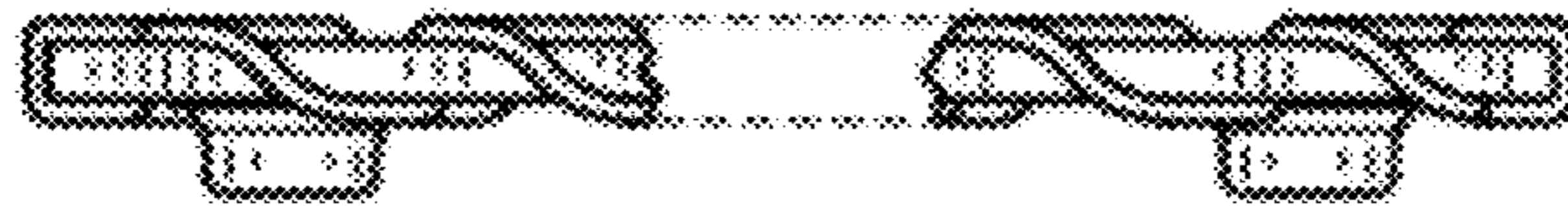


FIG. 6

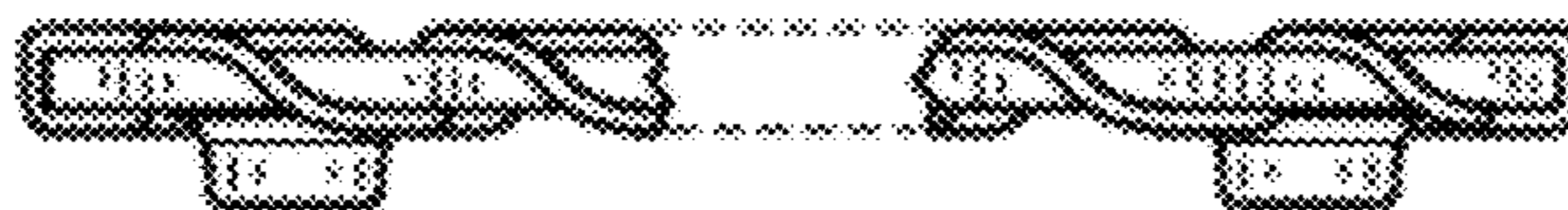


FIG. 7