



US00D674605S

(12) **United States Design Patent**  
**Vilkomirski et al.**

(10) **Patent No.:** **US D674,605 S**  
(45) **Date of Patent:** **\*\* Jan. 22, 2013**

- (54) **STORAGE CONTAINER**
  - (75) Inventors: **Gil Vilkomirski**, Ein Vered (IL); **Zvika Fraiman**, Havazelet Hasharon (IL)
  - (73) Assignee: **The Stanley Works Israel Ltd.**, Rosh Ha' Ayin (IL)
  - (\*\*) Term: **14 Years**
  - (21) Appl. No.: **29/388,792**
  - (22) Filed: **Apr. 1, 2011**
  - (51) **LOC (9) Cl.** ..... **03-01**
  - (52) **U.S. Cl.** ..... **D3/281; D3/905**
  - (58) **Field of Classification Search** ..... D3/254,  
D3/260, 273, 276, 280, 283-291, 301, 302,  
D3/303, 905; 220/523, 524, 527; 206/349,  
206/372-379; 190/109, 111, 115, 107, 126,  
190/903; D7/605
- See application file for complete search history.

- D527,181 S \* 8/2006 Henning et al. .... D3/276
- D600,912 S \* 9/2009 Brunner ..... D3/291
- D627,968 S \* 11/2010 Brunner ..... D3/281
- D640,056 S \* 6/2011 Twig et al. .... D3/281
- D647,300 S \* 10/2011 Shitrit et al. .... D3/281
- 2004/0134818 A1\* 7/2004 Cunningham et al. .... 206/373

\* cited by examiner

*Primary Examiner* — Jennifer Rivard  
(74) *Attorney, Agent, or Firm* — Pillsbury Winthrop Shaw Pittman LLP

(57) **CLAIM**  
We claim the ornamental design for a storage container, as shown and described.

**DESCRIPTION**

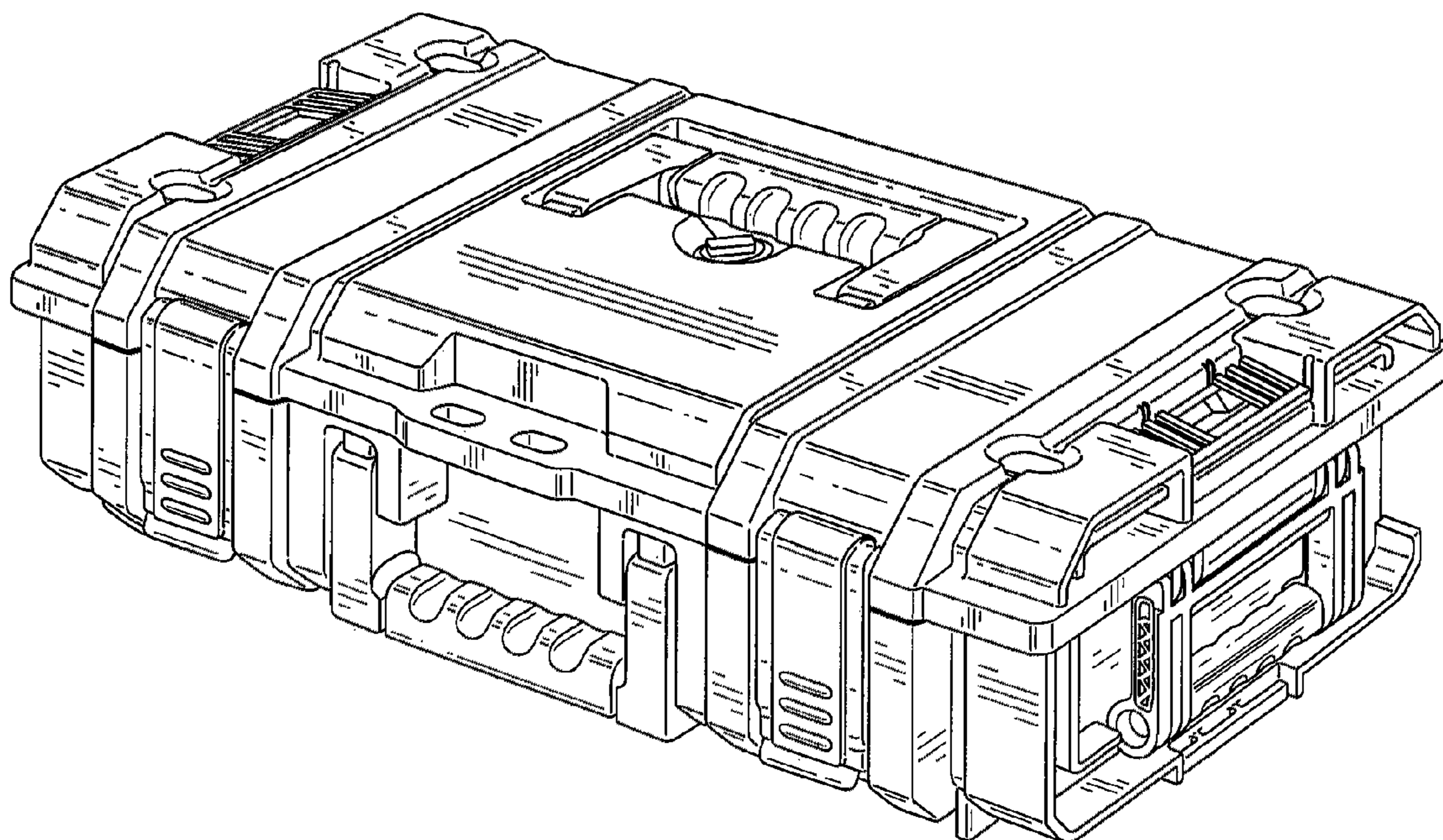
FIG. 1 is an isometric view according to our design; FIG. 2 is a front elevation view of the design of FIG. 1; FIG. 3 is a rear elevation view of the design of FIG. 1; FIG. 4 is a right side elevation view of the design of FIG. 1; FIG. 5 is a left side elevation view of the design of FIG. 1; FIG. 6 is a top plan view of the design of FIG. 1; and, FIG. 7 is a bottom plan view of the design of FIG. 1. The broken lines shown in the drawings illustrate portions of the article and form no part of the claimed design.

**1 Claim, 5 Drawing Sheets**

(56) **References Cited**

U.S. PATENT DOCUMENTS

- D417,956 S \* 12/1999 Story et al. .... D3/295
- D467,426 S \* 12/2002 Hardigg et al. .... D3/279
- D523,242 S \* 6/2006 Hardigg et al. .... D3/276



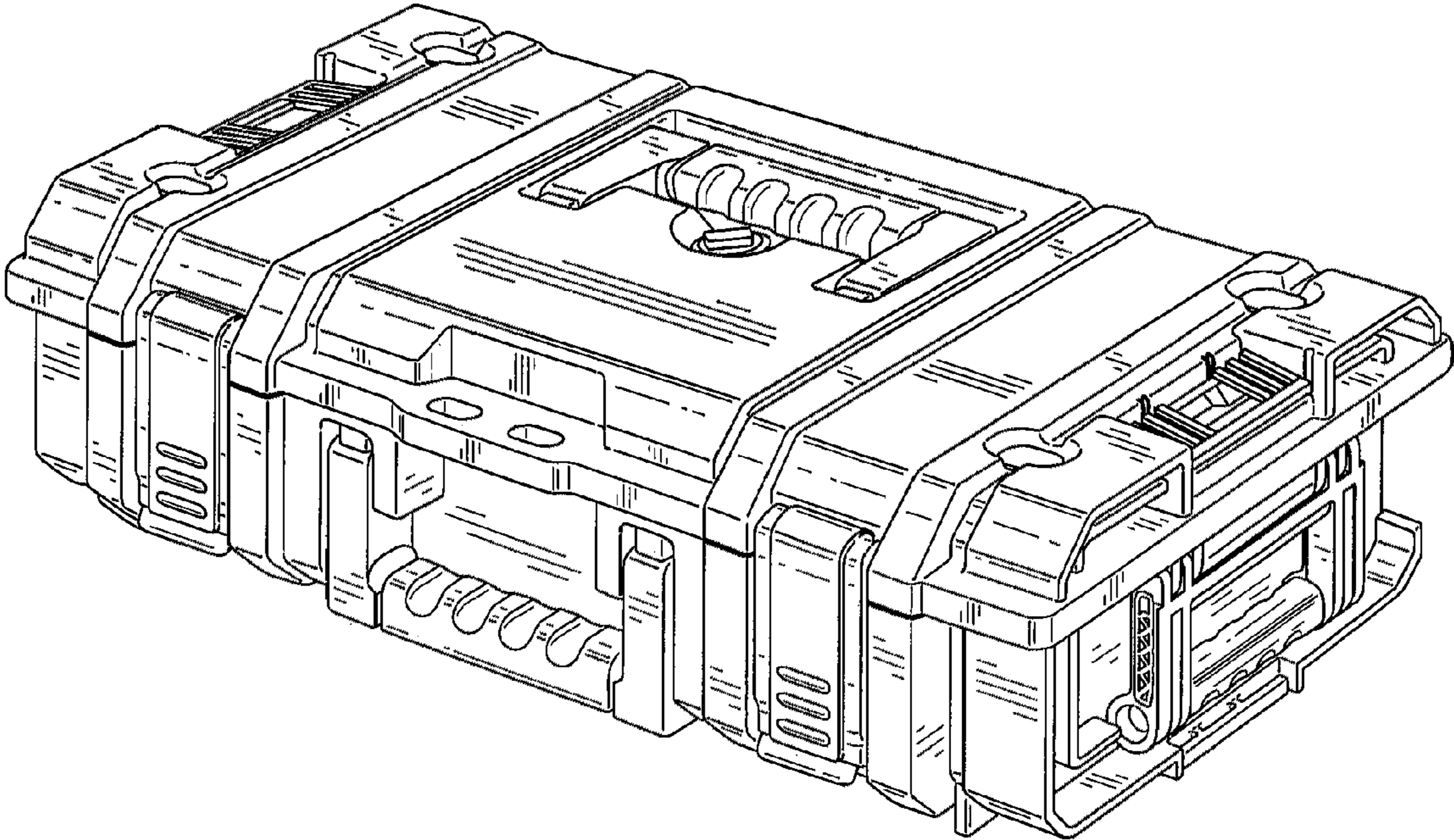


FIG. 1

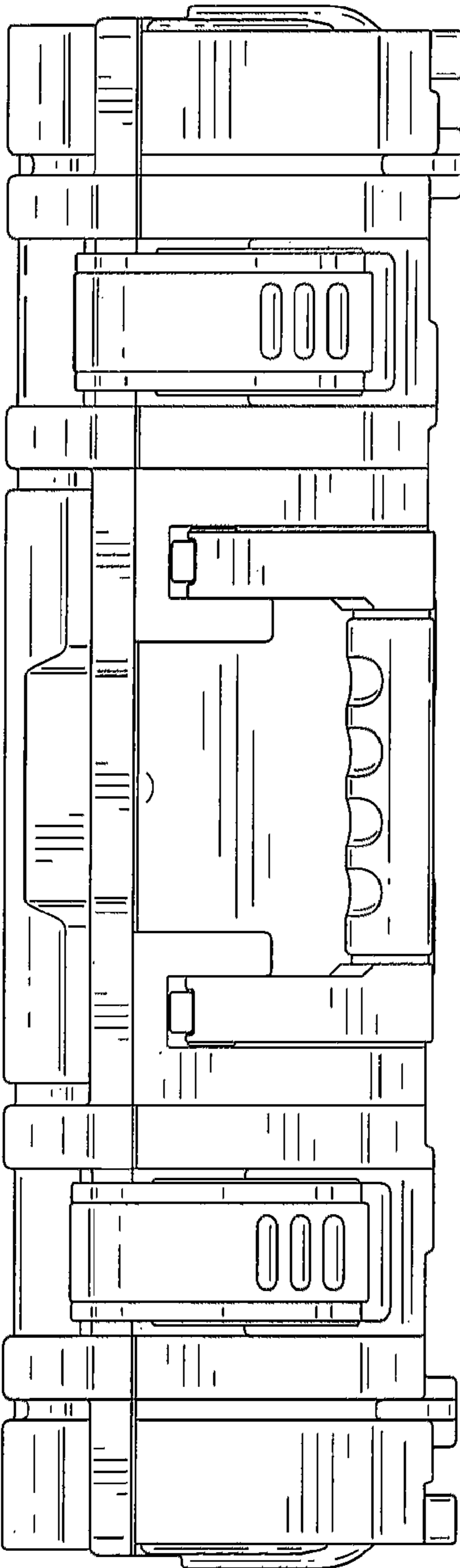


FIG. 2

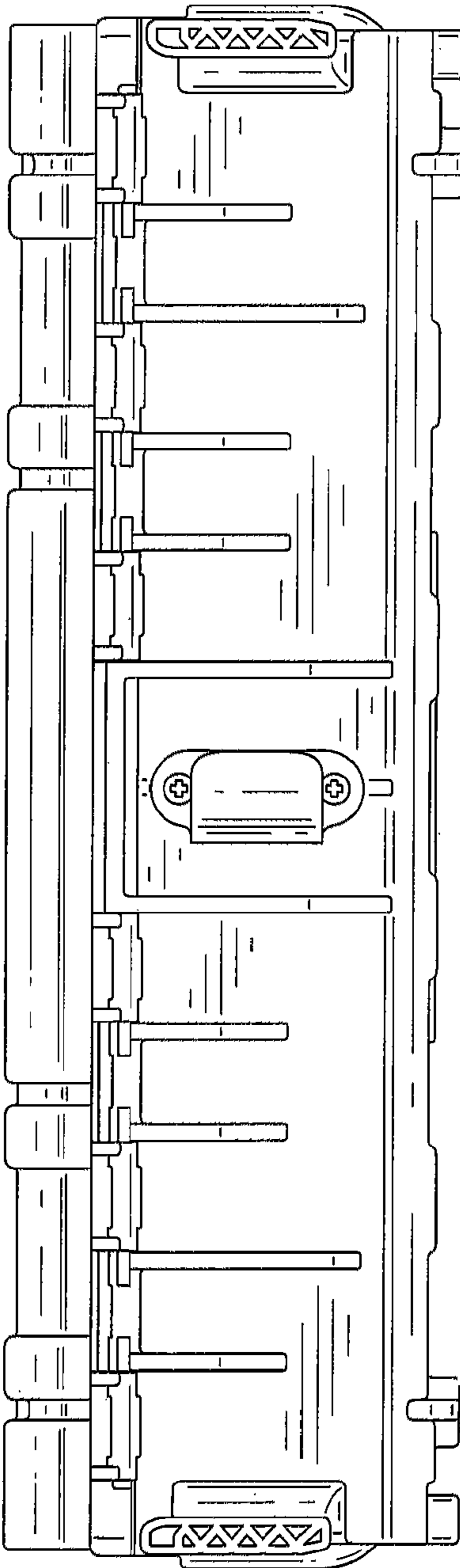


FIG. 3

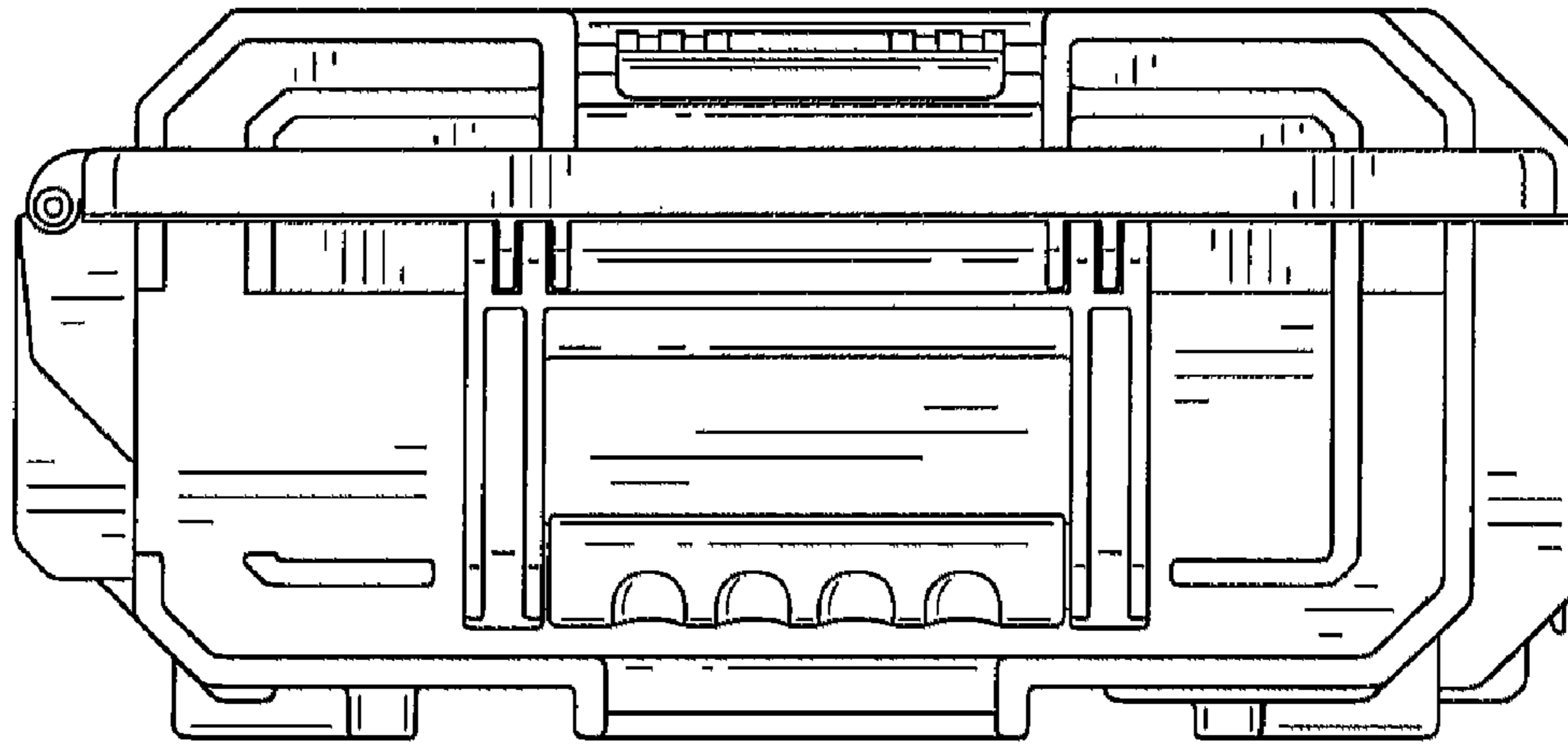


FIG. 4

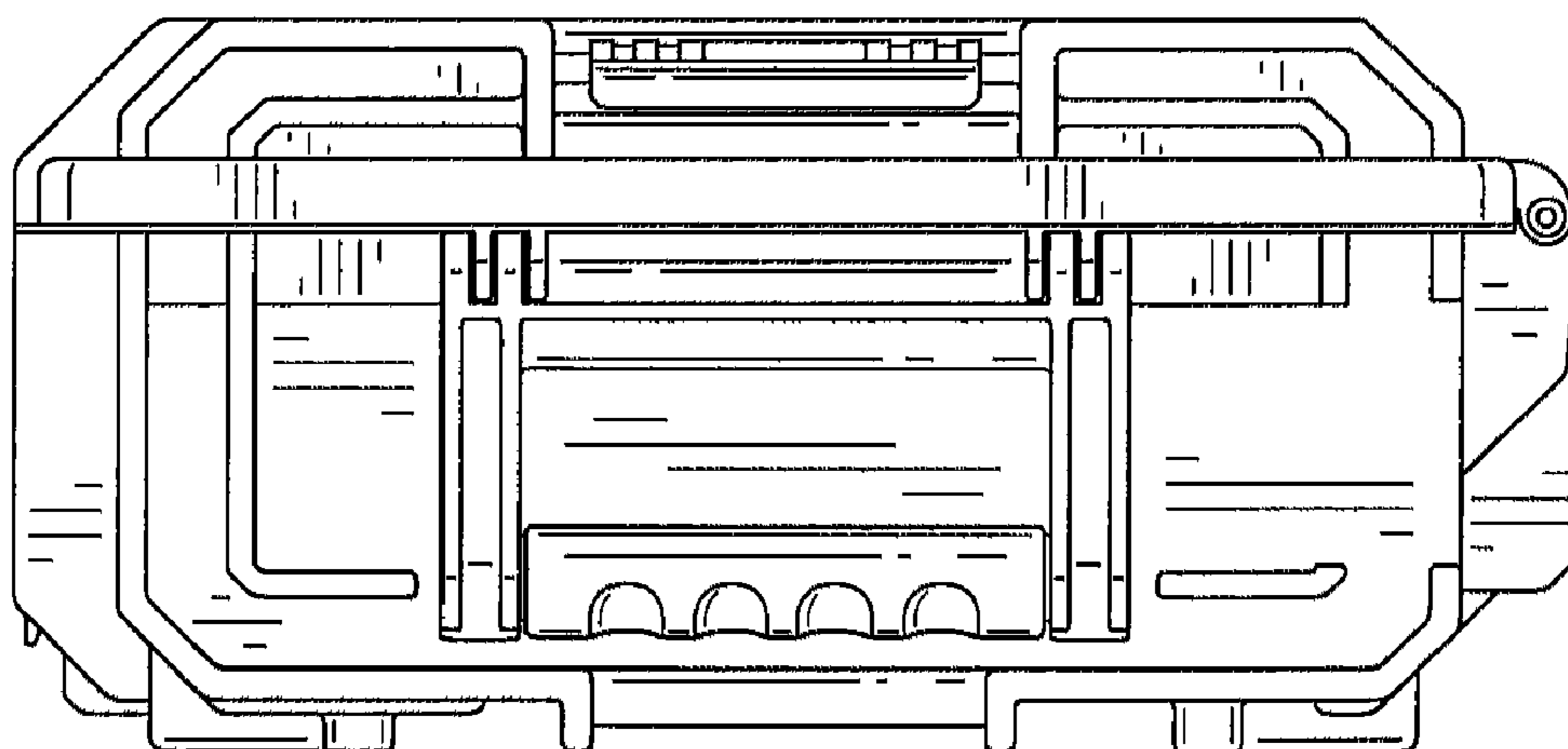


FIG. 5

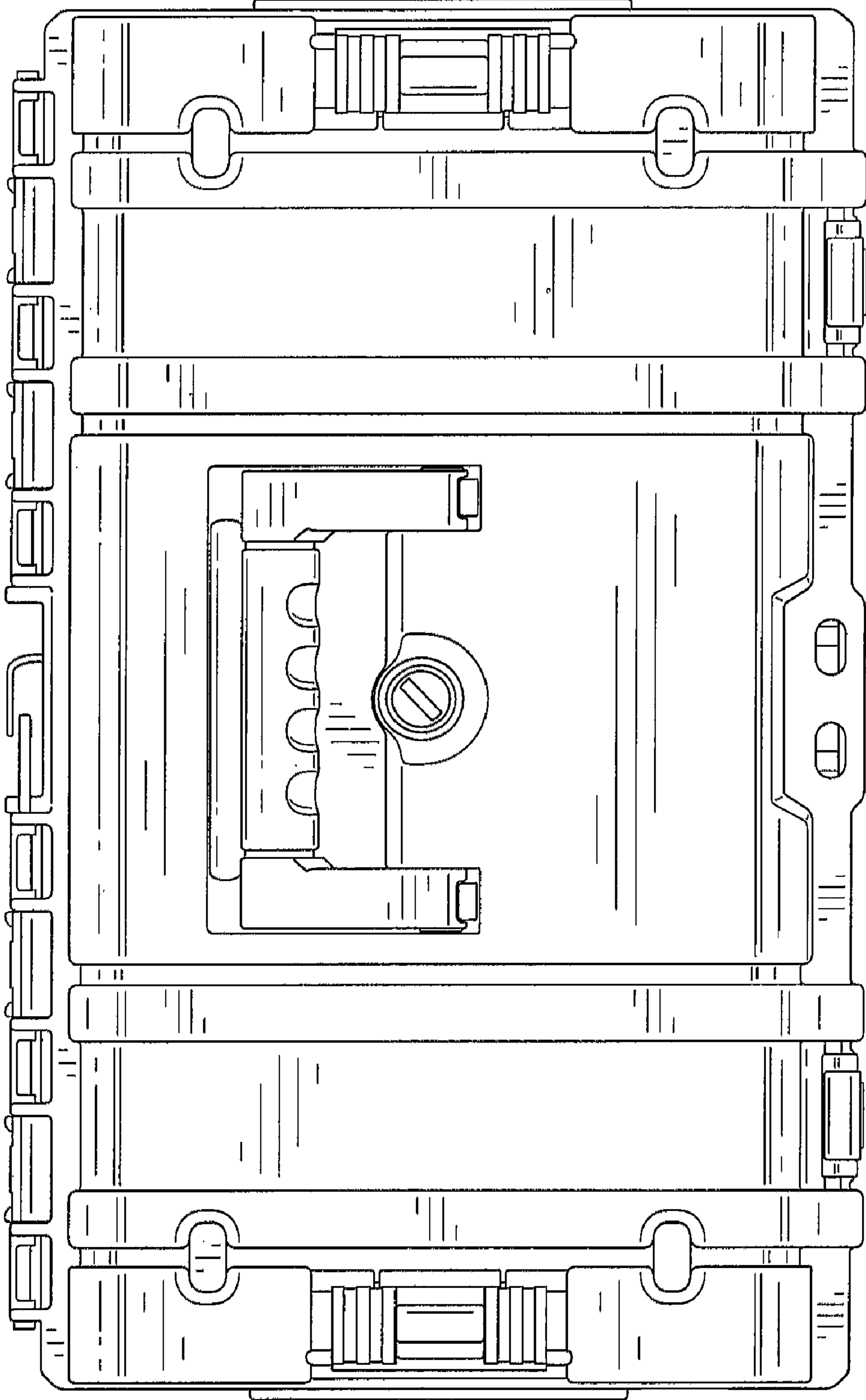


FIG. 6

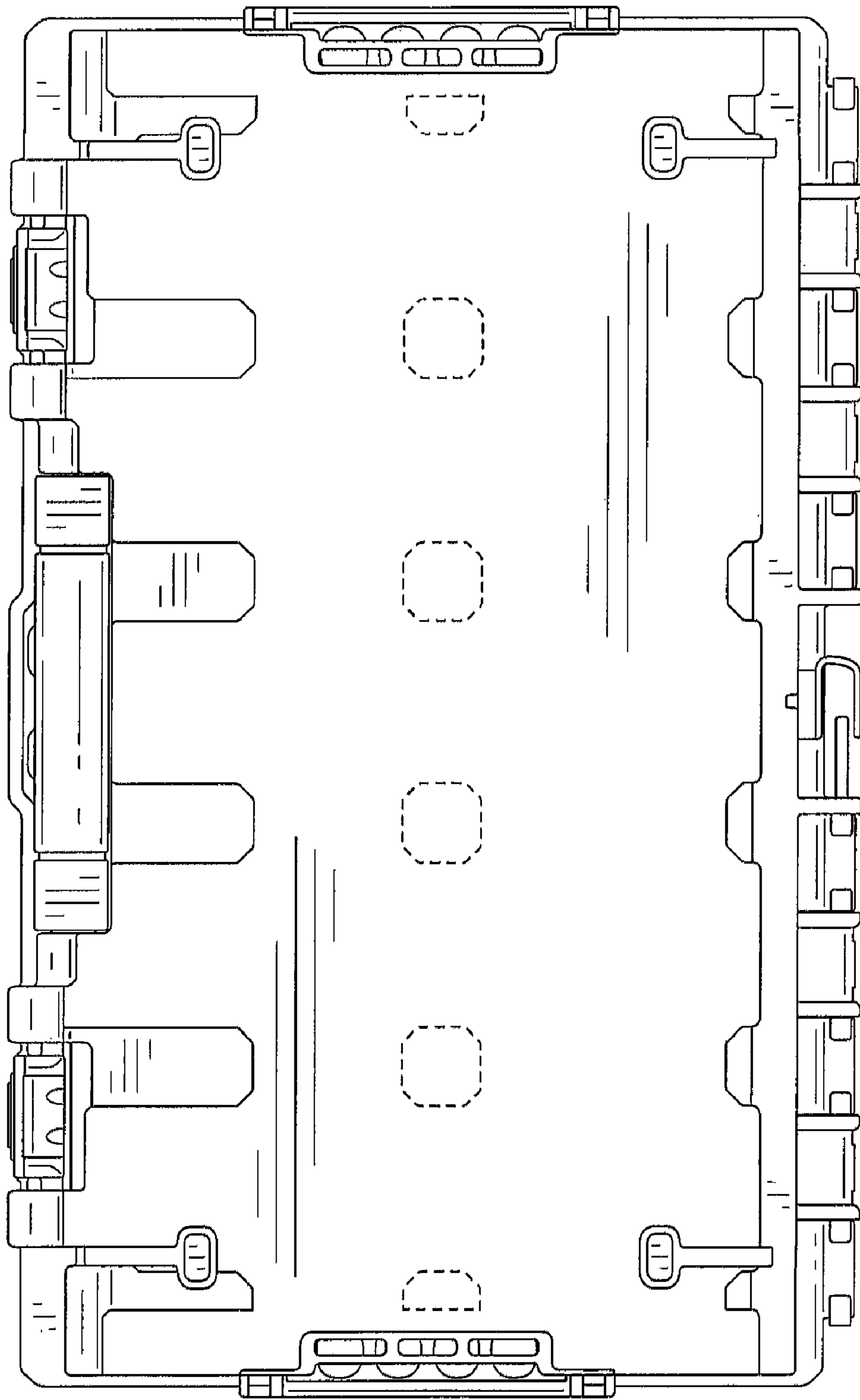


FIG. 7