



US00D674595S

(12) **United States Design Patent**  
**Alexander**

(10) **Patent No.:** **US D674,595 S**  
(45) **Date of Patent:** **\*\* Jan. 22, 2013**

(54) **PAINTER'S CUP**

6,283,345 B1 9/2001 Butschat  
6,866,172 B2 3/2005 Shackelford  
6,945,440 B1\* 9/2005 Ford ..... 224/148.6

(76) Inventor: **Frederick M. Alexander**, Escondido,  
CA (US)

\* cited by examiner

(\*\*) Term: **14 Years**

*Primary Examiner* — Catheri Oliver-Garcia

(21) Appl. No.: **29/416,549**

(22) Filed: **Mar. 23, 2012**

(51) **LOC (9) Cl.** ..... **03-01**

(52) **U.S. Cl.** ..... **D3/229**

(58) **Field of Classification Search** ..... D3/229,  
D3/228, 221, 215, 224, 226; 224/148.4,  
224/148.6, 148.7, 197, 241, 584, 673, 677,  
224/679, 681, 920; 220/695, 697-698, 736;  
D32/54; D25/68

See application file for complete search history.

(56) **References Cited**

**U.S. PATENT DOCUMENTS**

2,453,392 A \* 11/1948 Williams ..... 224/197  
2,630,651 A \* 3/1953 McGee ..... 224/197  
D272,775 S \* 2/1984 Weissenburger ..... D3/229  
D286,949 S 12/1986 Hardman  
D344,852 S \* 3/1994 McManaman ..... D3/229  
5,695,098 A 12/1997 King

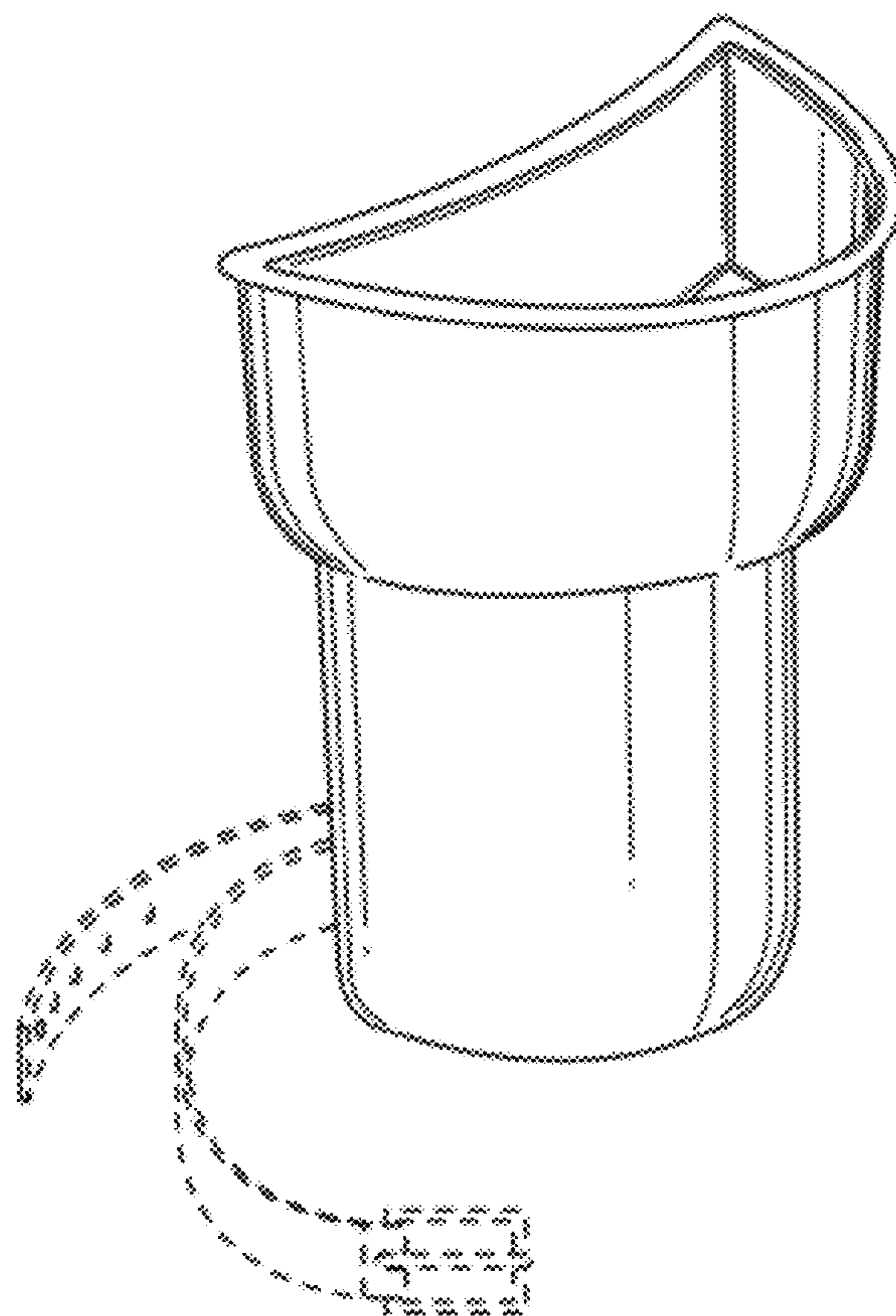
(57) **CLAIM**

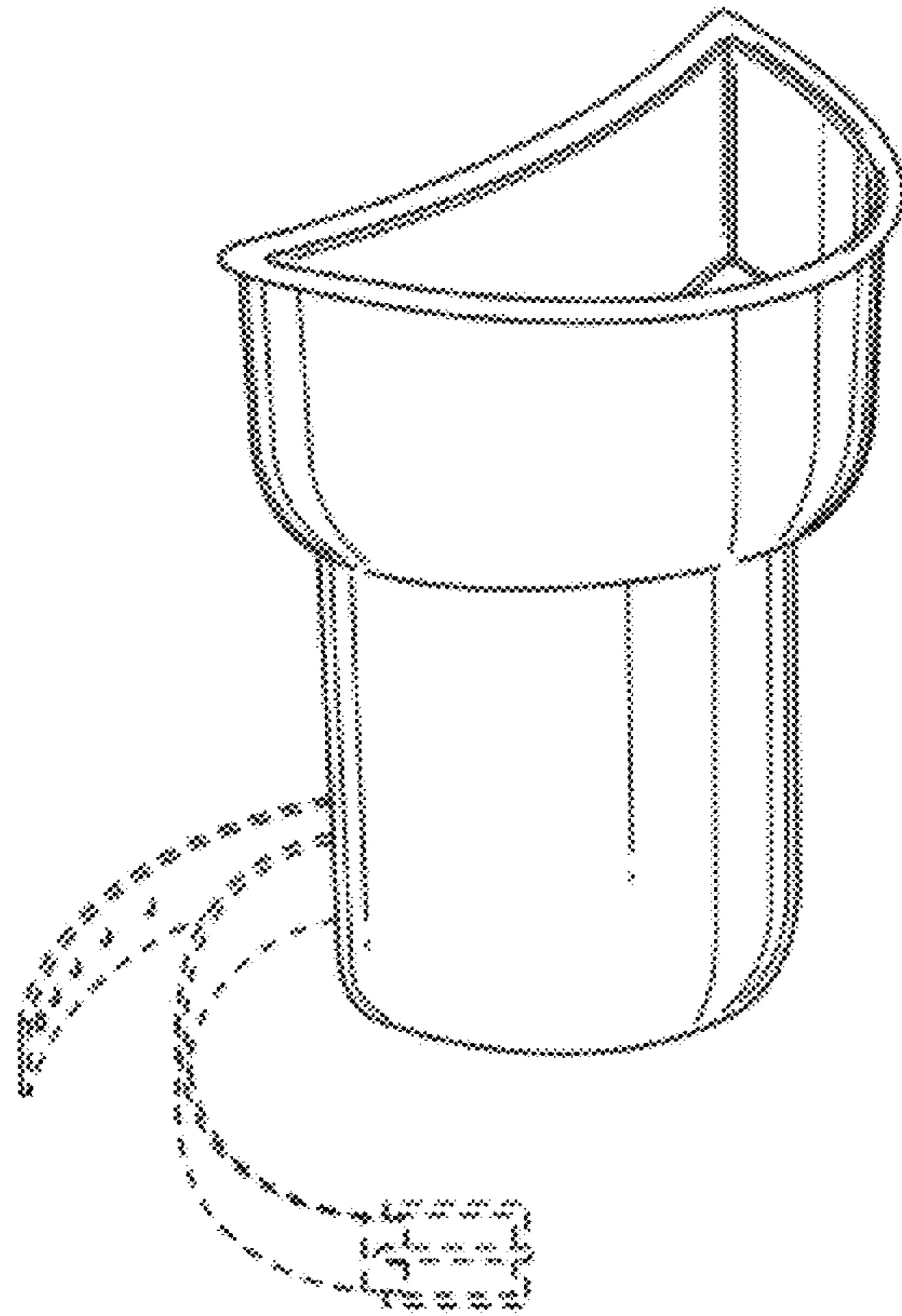
The ornamental design for a painter's cup, as shown and described.

**DESCRIPTION**

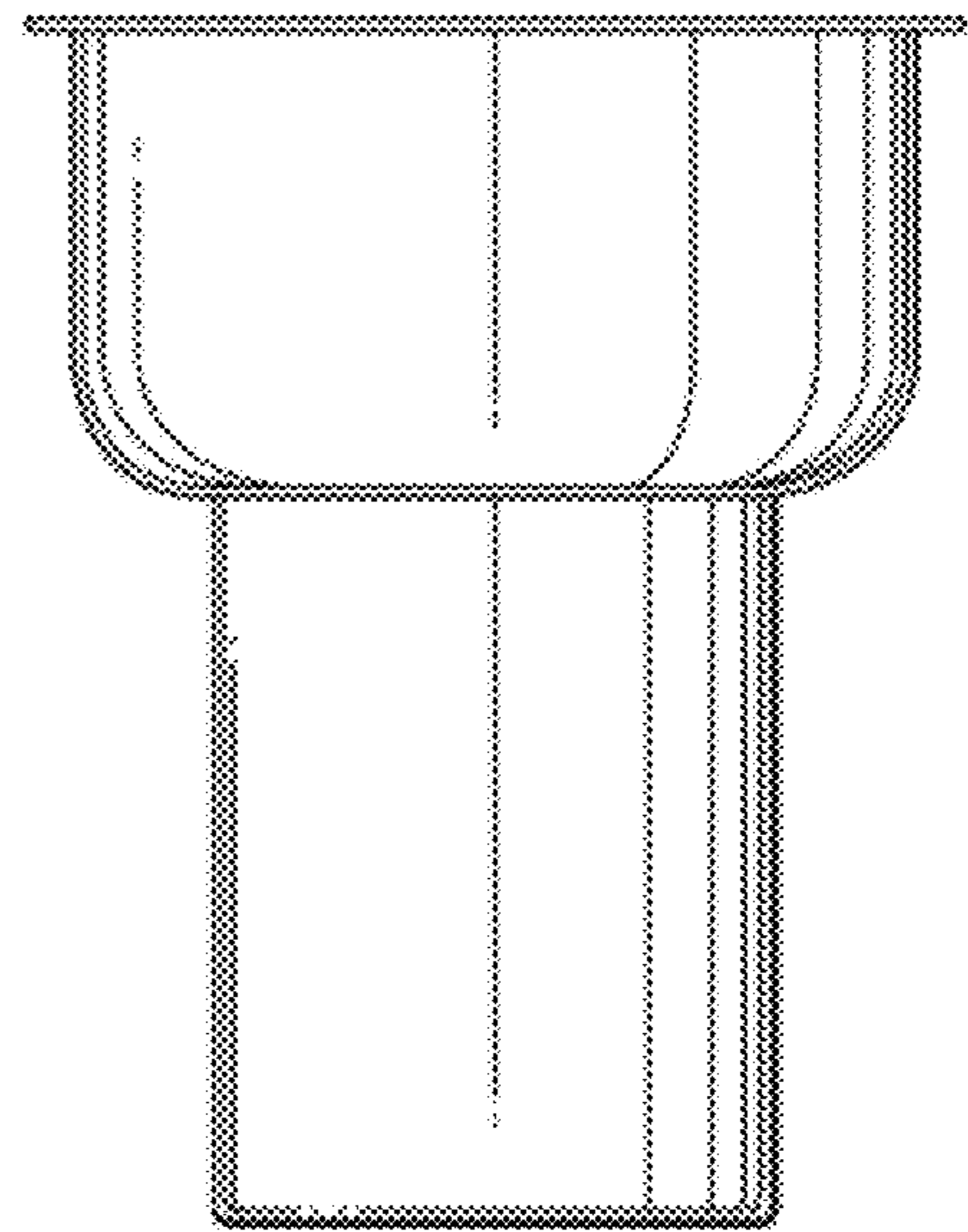
FIG. 1 is a perspective view of a painter's cup showing my new design;  
FIG. 2 is a front elevational view thereof;  
FIG. 3 is a rear elevational view thereof;  
FIG. 4 is a top plan view thereof;  
FIG. 5 is a bottom plan view thereof;  
FIG. 6 is a right side elevational view thereof; and,  
FIG. 7 is a left side elevational view thereof.  
The broken lines shown on the figures are for illustrative purposes only and are hereby disclaimed as forming no part of Applicant's claimed invention.

**1 Claim, 2 Drawing Sheets**

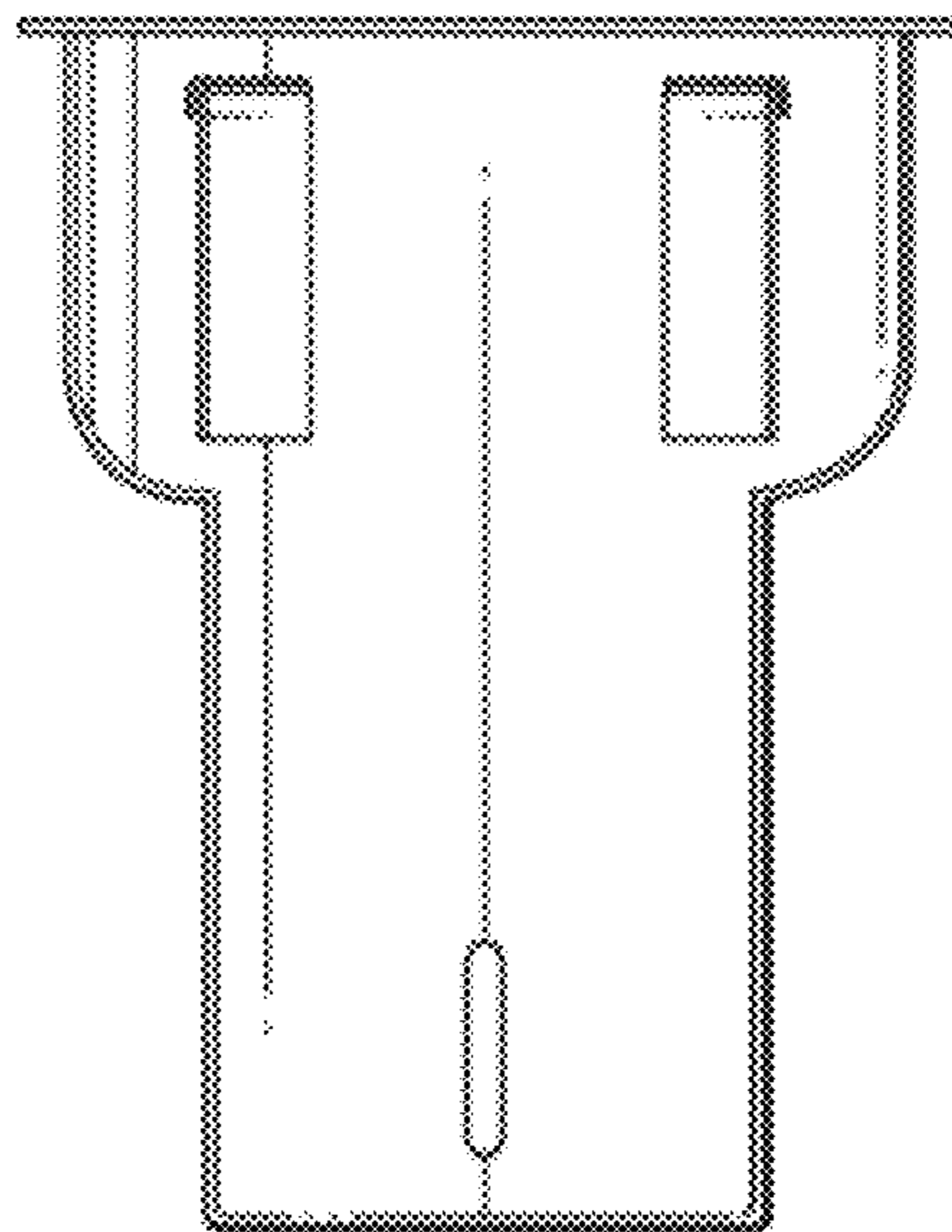




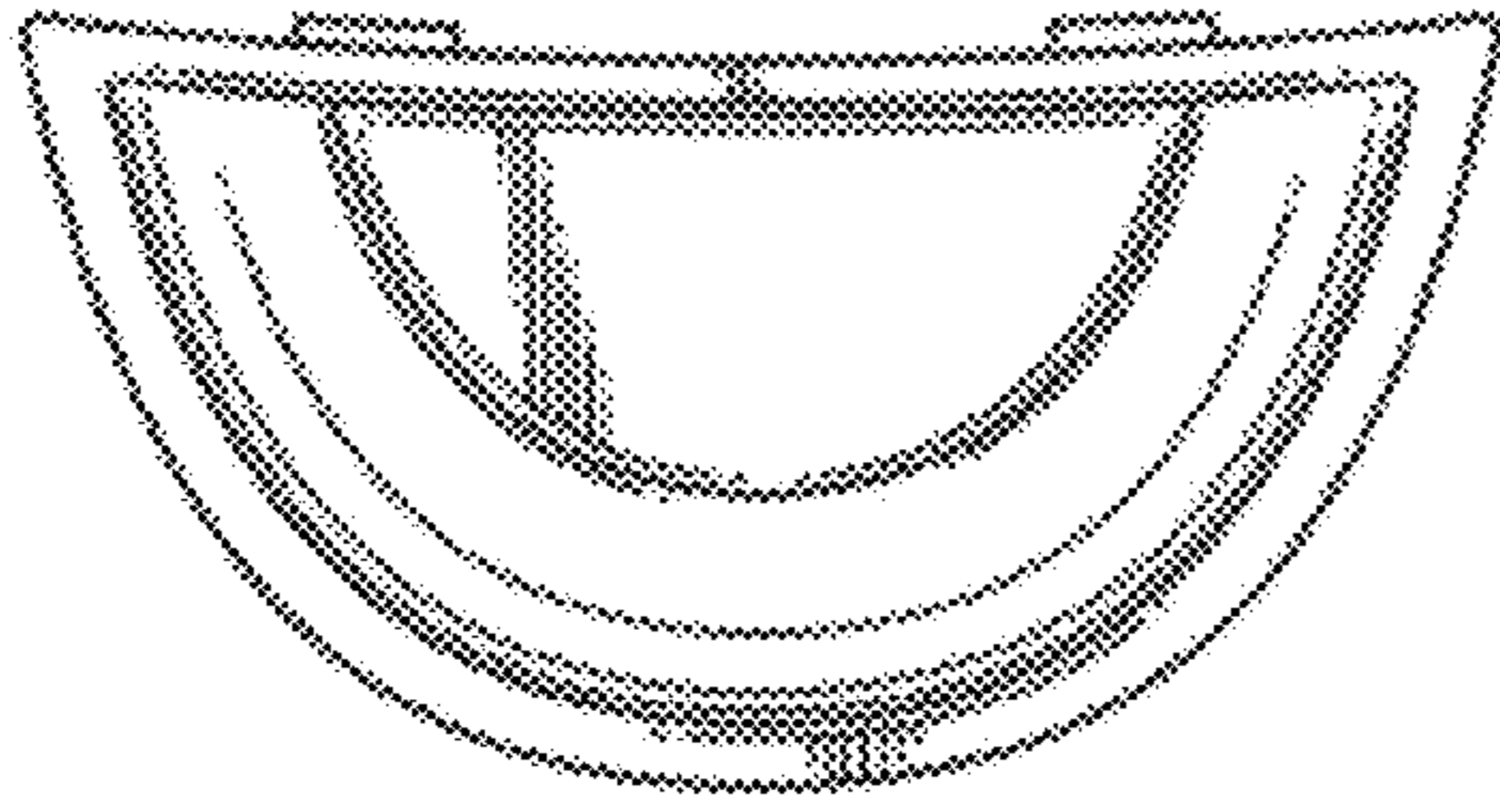
*Fig. 1*



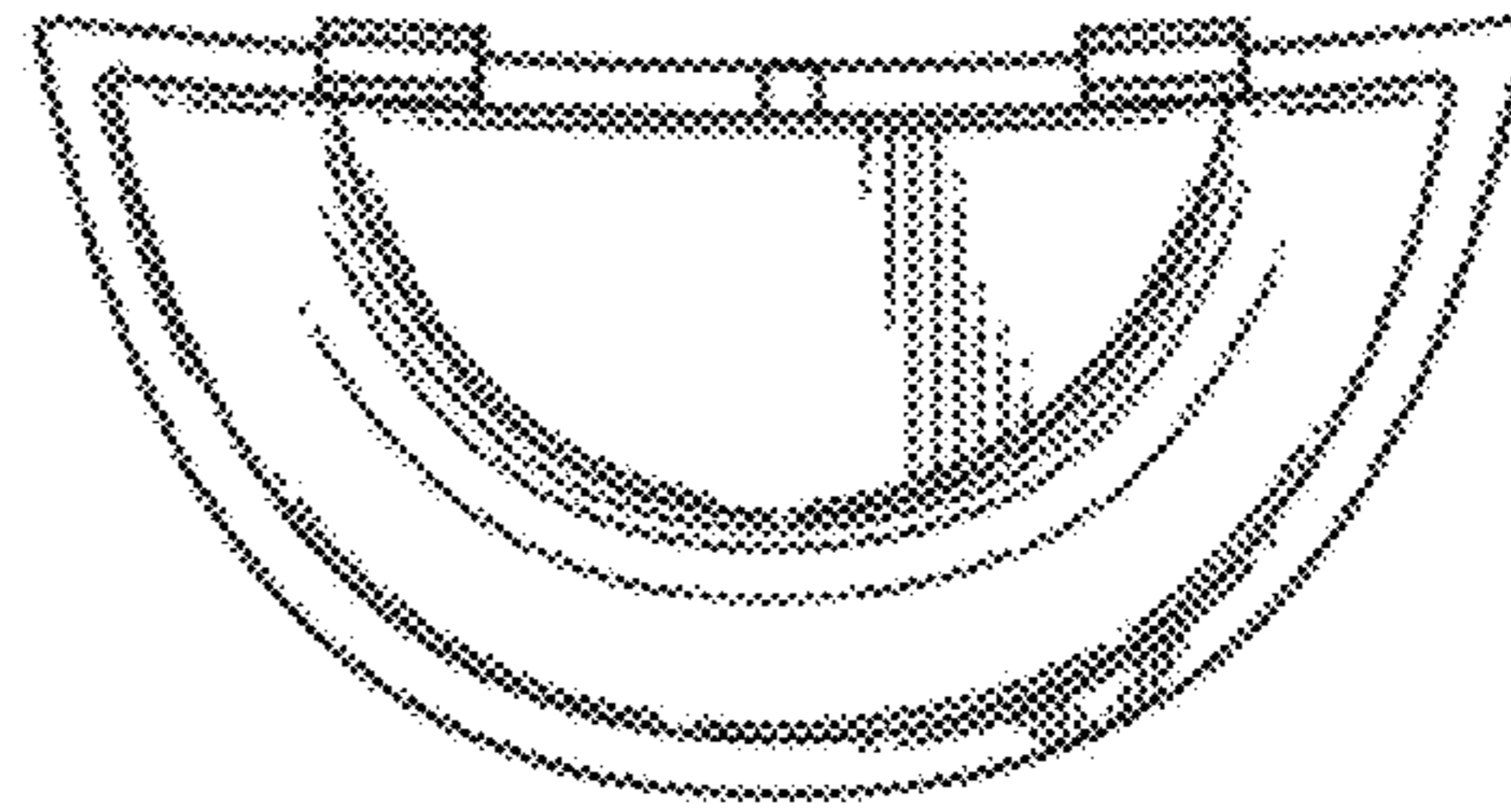
*Fig. 2*



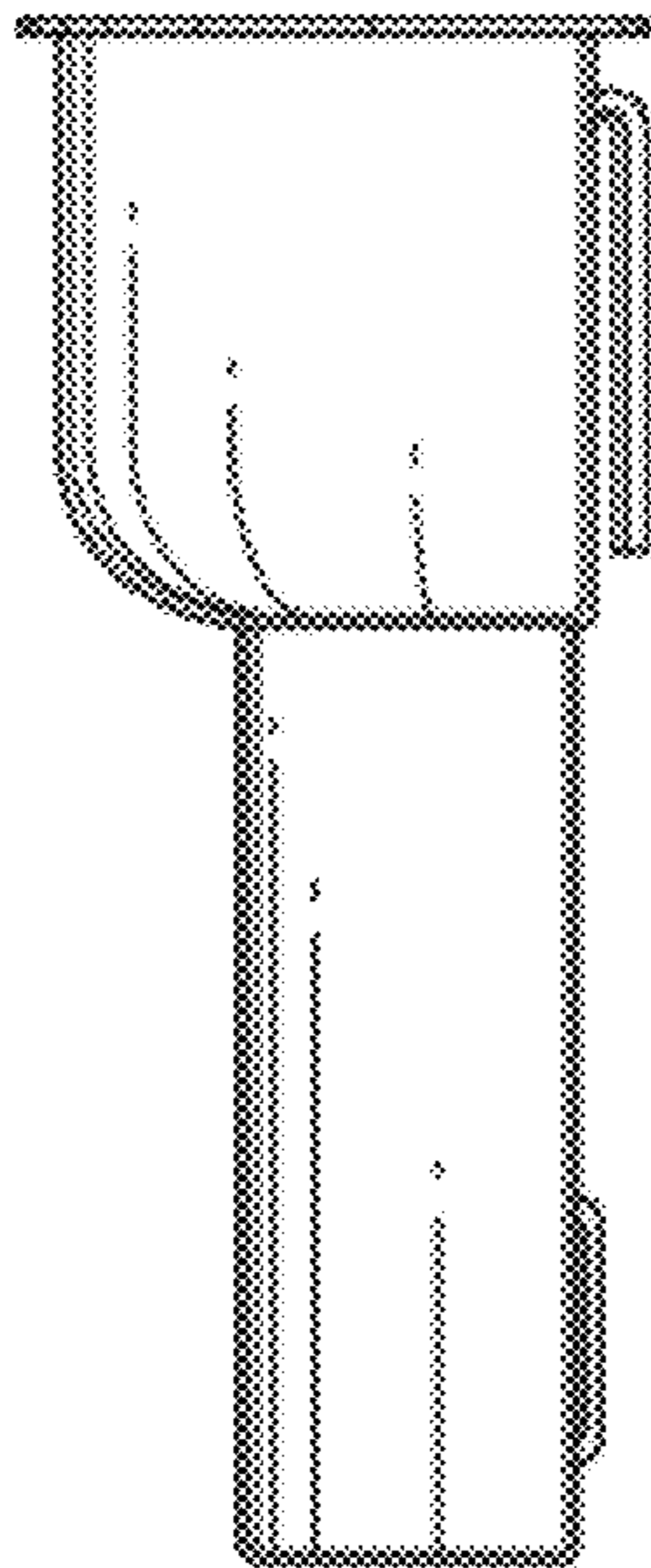
*Fig. 3*



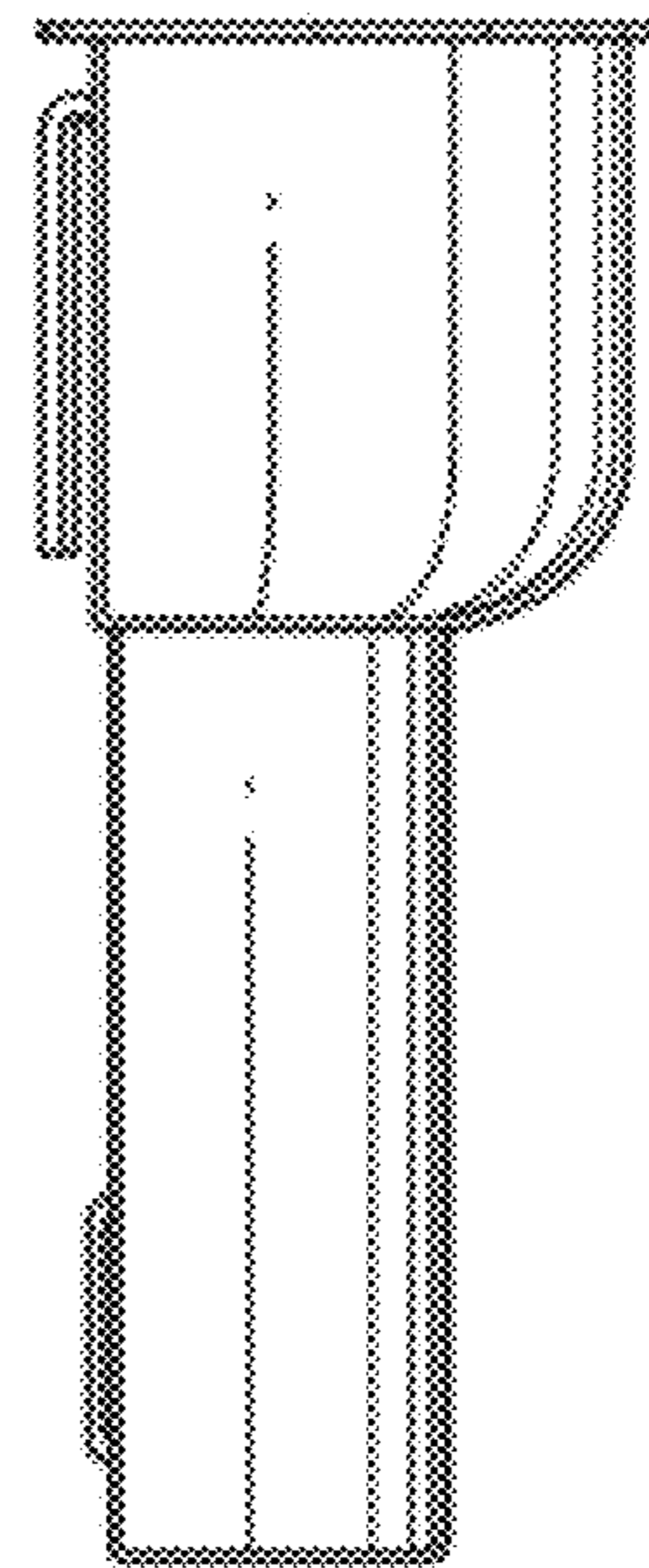
*Fig. 4*



*Fig. 5*



*Fig. 6*



*Fig. 7*