



US00D674592S

(12) **United States Design Patent**
Basmaji

(10) **Patent No.:** **US D674,592 S**
(45) **Date of Patent:** **** Jan. 22, 2013**

- (54) **PROTECTIVE CARRYING CASE**
- (76) Inventor: **Joseph Basmaji**, Waterford, MI (US)
- (**) Term: **14 Years**
- (21) Appl. No.: **29/419,719**
- (22) Filed: **May 1, 2012**
- (51) **LOC (9) Cl.** **03-01**
- (52) **U.S. Cl.** **D3/218**
- (58) **Field of Classification Search** D3/218,
D3/215, 201, 219, 224, 226, 228, 205, 269,
D3/303; 224/240–241, 245, 578, 674, 676–681,
224/901, 904; 206/305, 320; 455/42, 90,
455/92; 379/455, 575.1–575; D14/138,
D14/248, 250–251, 253
See application file for complete search history.

D635,354 S * 4/2011 Uchida D3/218
 2001/0035444 A1 11/2001 Alis
 2008/0035506 A1 2/2008 Rostami
 2009/0017883 A1 1/2009 Lin

* cited by examiner

Primary Examiner — Catheri Oliver-Garcia
 (74) *Attorney, Agent, or Firm* — Alleman Hall McCoy
 Russell & Tuttle LLP

(56) **References Cited**

U.S. PATENT DOCUMENTS

D458,019 S	6/2002	Gur et al.	
6,612,432 B2	9/2003	Motson	
6,651,854 B1	11/2003	LaCoste	
D543,023 S	5/2007	Han et al.	
D594,226 S	6/2009	Hofer et al.	
D606,303 S *	12/2009	Fahrendorff et al.	D3/218
D611,702 S *	3/2010	Fahrendorff et al.	D3/218
D612,149 S *	3/2010	Fahrendorff et al.	D3/218
D613,056 S *	4/2010	Fahrendorff et al.	D3/218
D619,803 S *	7/2010	Fuller	D3/218
D620,258 S	7/2010	Fahrendorff	
D620,704 S	8/2010	Fahrendorff et al.	
D632,072 S *	2/2011	Fahrendorff et al.	D3/218

(57) **CLAIM**

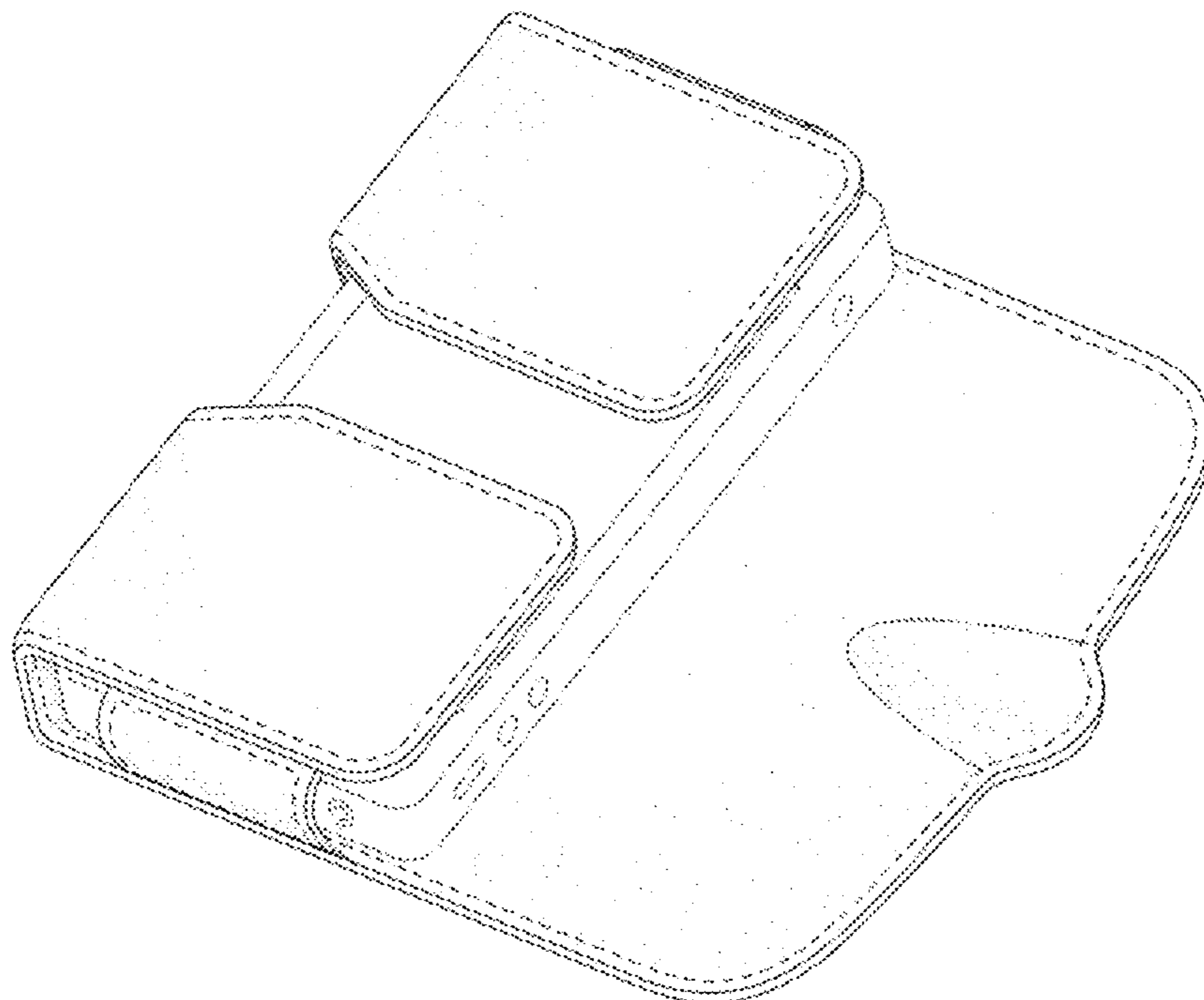
The ornamental design for a protective carrying case, as shown and described.

DESCRIPTION

FIG. 1 is a perspective view of the protective carrying case;
 FIG. 2 is a front elevation view thereof;
 FIG. 3 is a rear elevation view thereof;
 FIG. 4 is a right side elevation view thereof;
 FIG. 5 is a left side elevation view thereof;
 FIG. 6 is a top plan view thereof;
 FIG. 7 is a bottom plan view thereof; and,
 FIG. 8 is another perspective view.

The short broken lines in the drawings depict environmental subject matter only and form no part of the claimed design.
 The stippling and stitching (long broken lines) in FIGS. 1-8 are for illustrative purposes only and form no part of the claimed design.

1 Claim, 6 Drawing Sheets



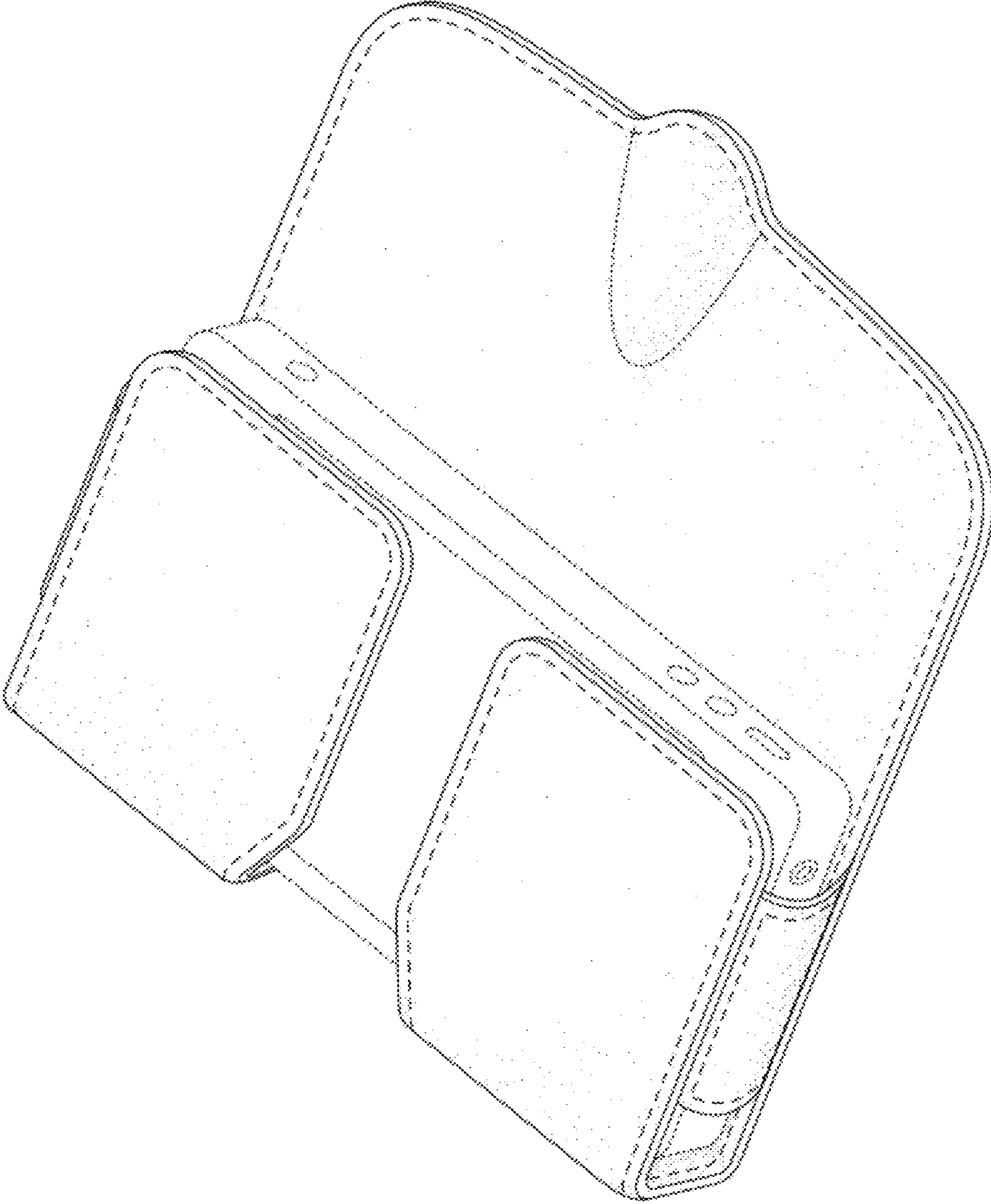


FIG. 1

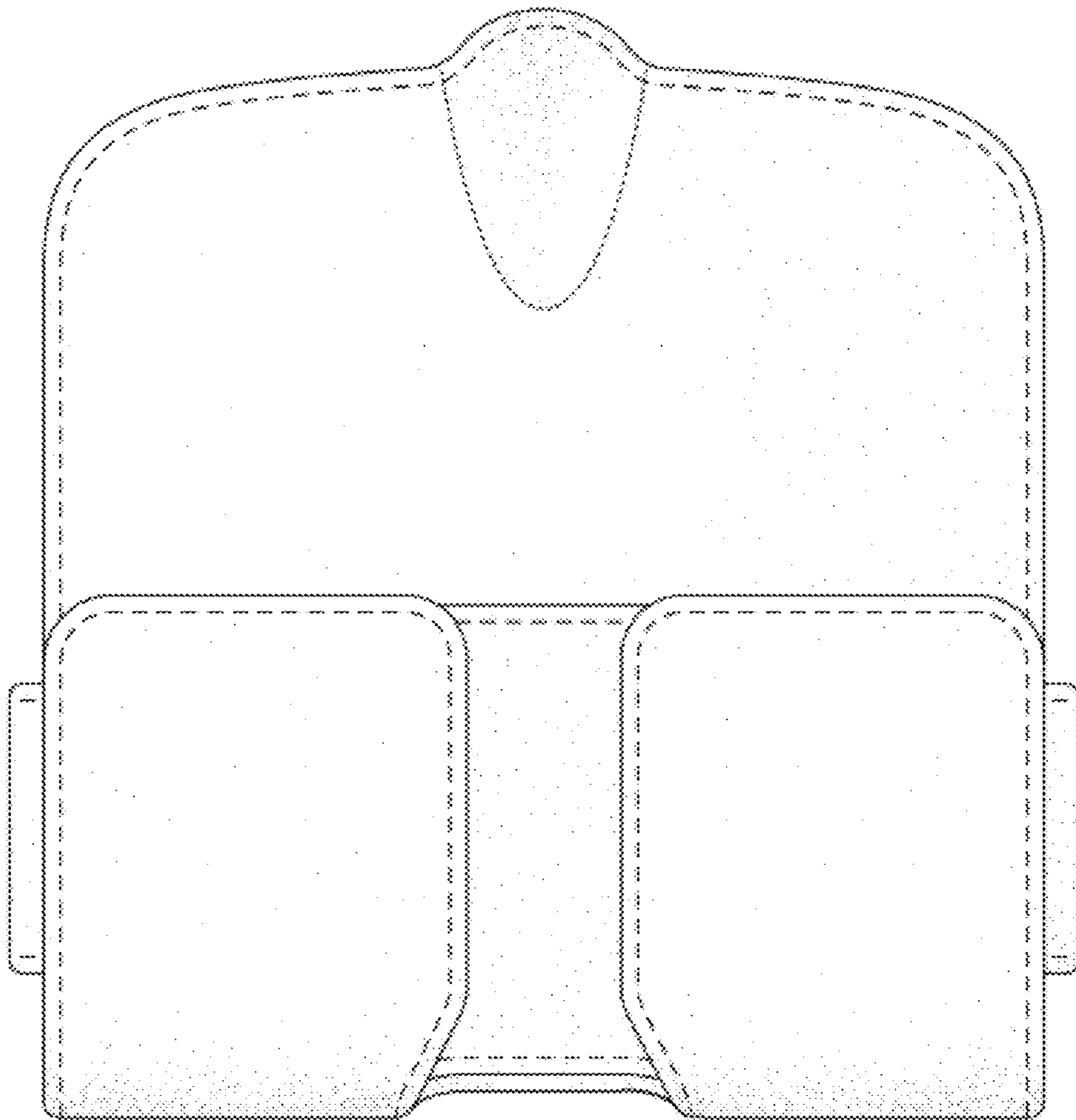


FIG. 2

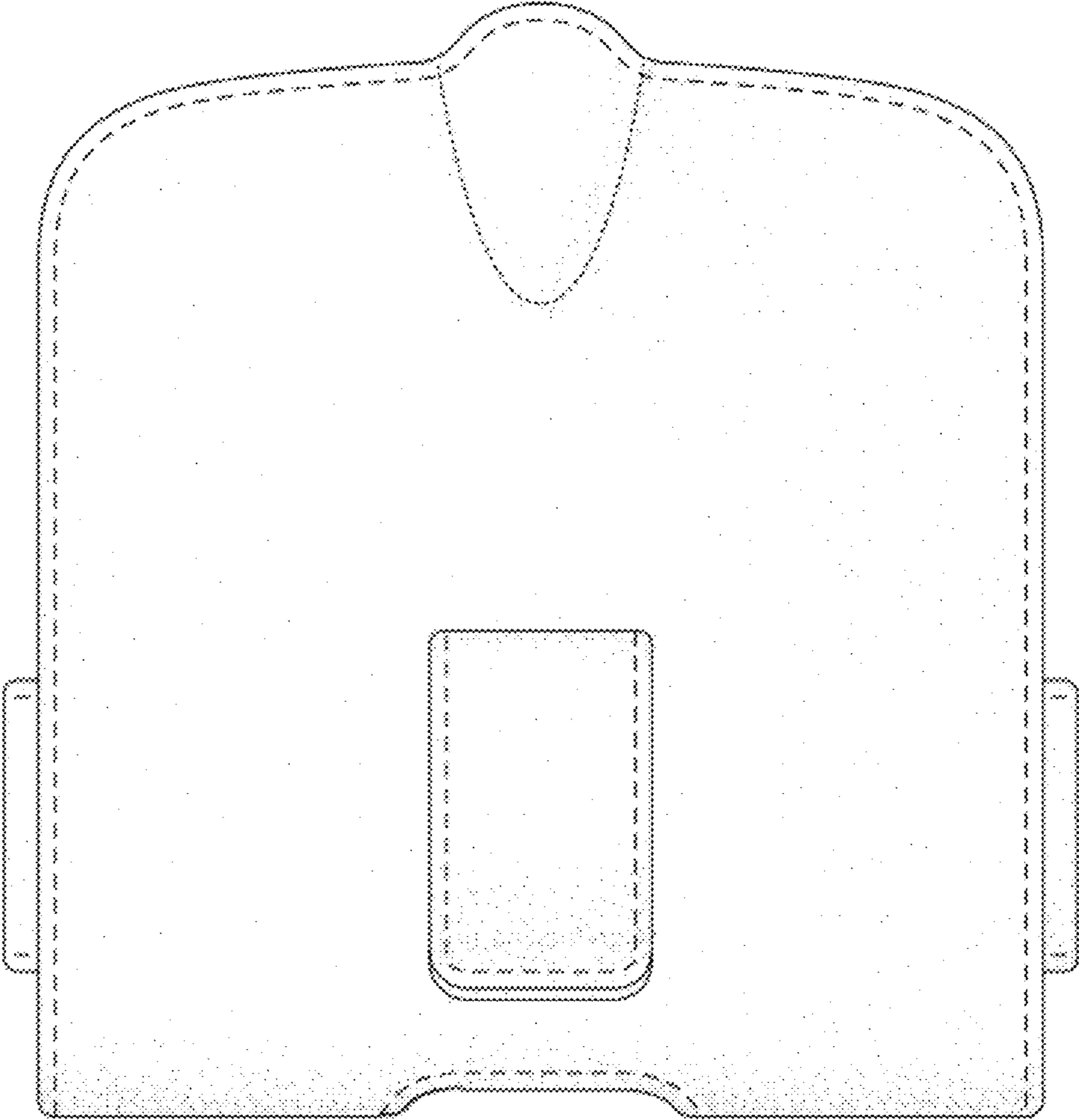


FIG. 3

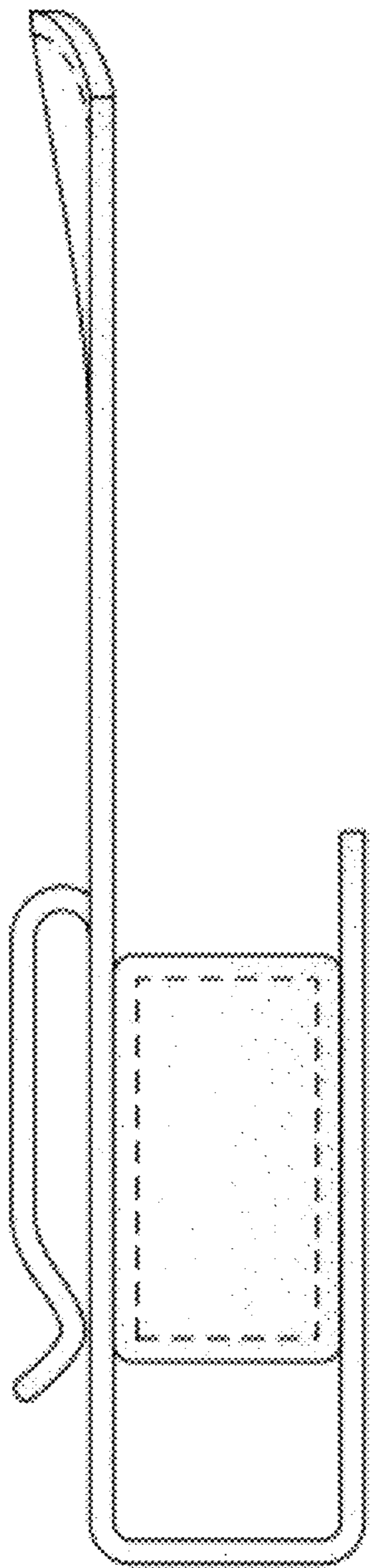


FIG. 4

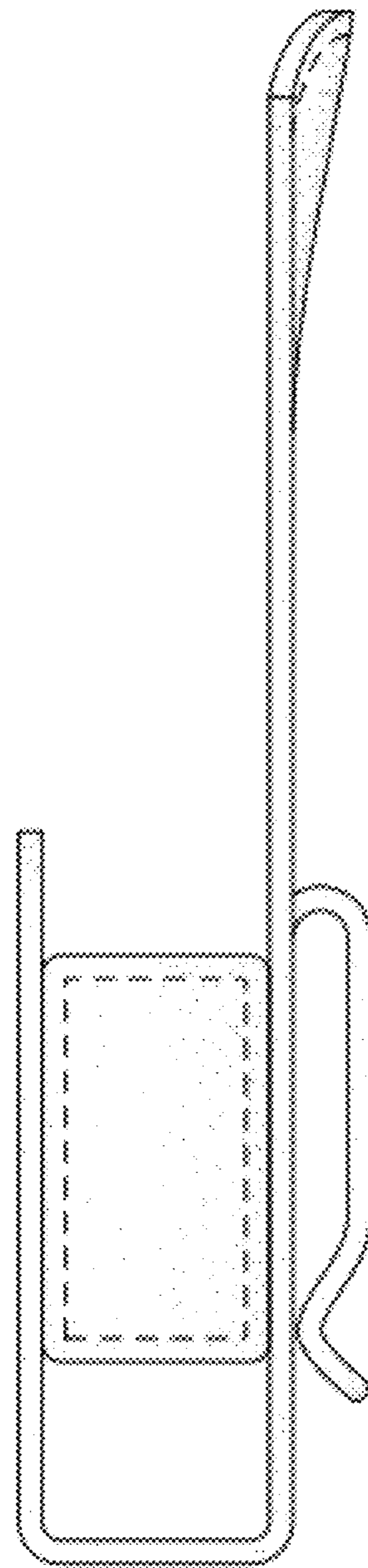


FIG. 5

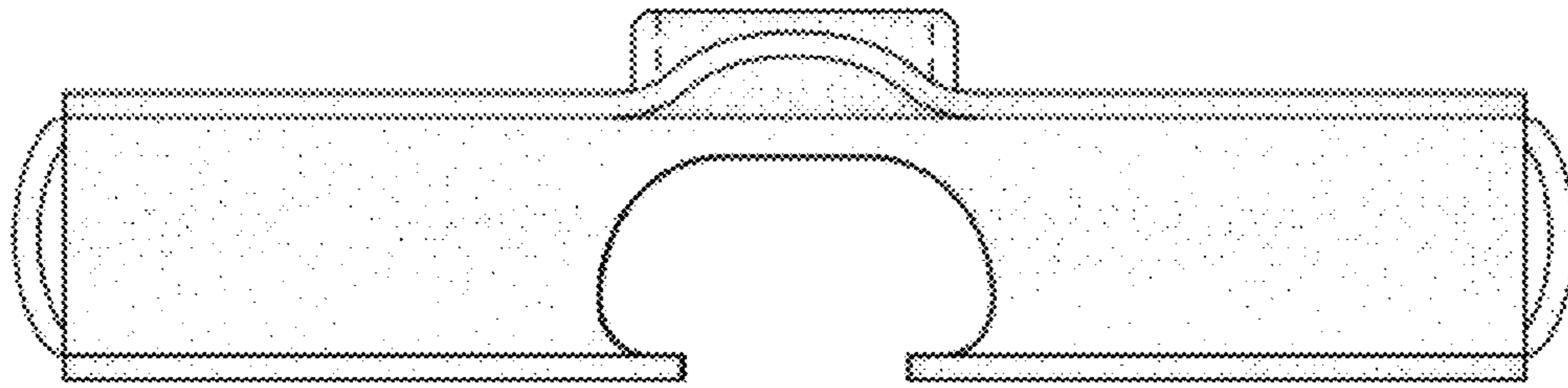


FIG. 6

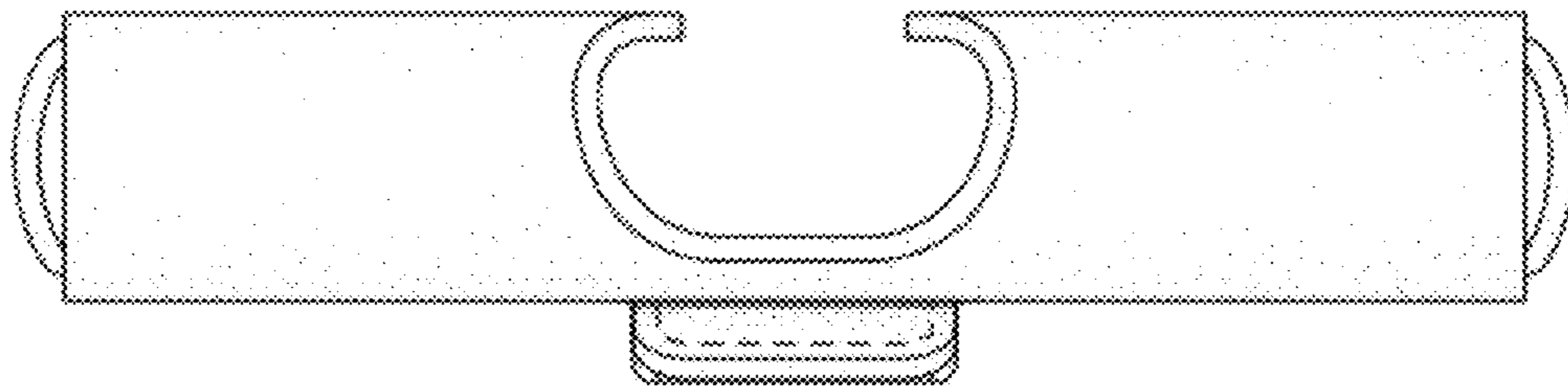


FIG. 7

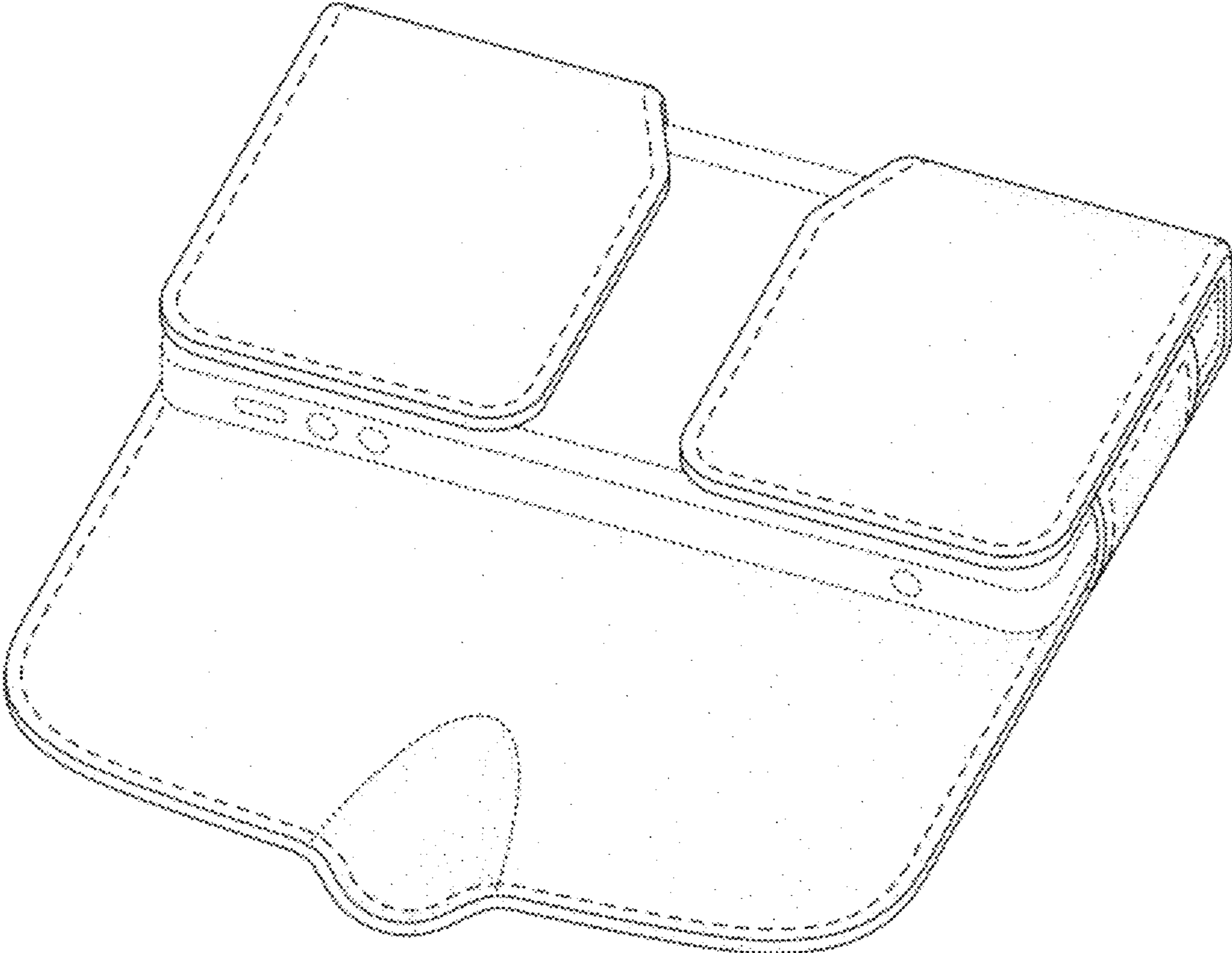


FIG. 8