



US00D674590S

(12) **United States Design Patent**  
**Busch**

(10) **Patent No.:** **US D674,590 S**

(45) **Date of Patent:** **\*\* Jan. 22, 2013**

(54) **POCKET KEY ORGANIZER**  
(75) Inventor: **James David Busch**, Tempe, AZ (US)  
(73) Assignee: **BladeKey LLC**, Tempe, AZ (US)  
(\*\*) Term: **14 Years**

2,699,667 A 1/1955 Mark  
2,836,053 A 5/1958 Slarreit  
2,869,232 A 1/1959 Kivela  
2,882,710 A 4/1959 Furn  
D185,686 S \* 7/1959 Tronson ..... D3/212  
2,931,208 A 4/1960 Prim  
2,964,937 A 12/1960 Laufin

(Continued)

(21) Appl. No.: **29/406,366**

(22) Filed: **Nov. 13, 2011**

(51) **LOC (9) Cl.** ..... **03-01**

(52) **U.S. Cl.** ..... **D3/207**

(58) **Field of Classification Search** ..... D3/207-212;  
D11/31-33, 44, 48-51, 66, 79-85, 94-116;  
70/456 R, 456 B, 457-460; 24/3.6; D13/168;  
362/116; D8/348

See application file for complete search history.

(56) **References Cited**

**U.S. PATENT DOCUMENTS**

D3,942 S 3/1870 Elwell  
1,885,957 A 11/1932 Singleton  
1,922,755 A 8/1933 Buxton  
2,038,070 A 4/1936 Welch  
2,228,726 A 1/1941 Loesch  
2,344,581 A 3/1944 Ziegeweid  
D156,677 S 5/1948 Smith  
2,482,623 A 9/1949 Kaminer  
2,514,940 A 7/1950 Caswellj  
2,547,340 A 4/1951 Mullan  
2,547,524 A 4/1951 Gross  
2,583,961 A 1/1952 Nash  
2,600,749 A 6/1952 Gallagher  
2,625,814 A 1/1953 Mullan  
2,637,994 A 5/1953 Harrison  
2,659,231 A 11/1953 Glubiak

**OTHER PUBLICATIONS**

Ethanf, "Do you hate your keys jingling? (Bicycle Content)," EDCForums (Sep. 12, 2011).

(Continued)

*Primary Examiner* — Ralf Seifert

(74) *Attorney, Agent, or Firm* — James David Busch

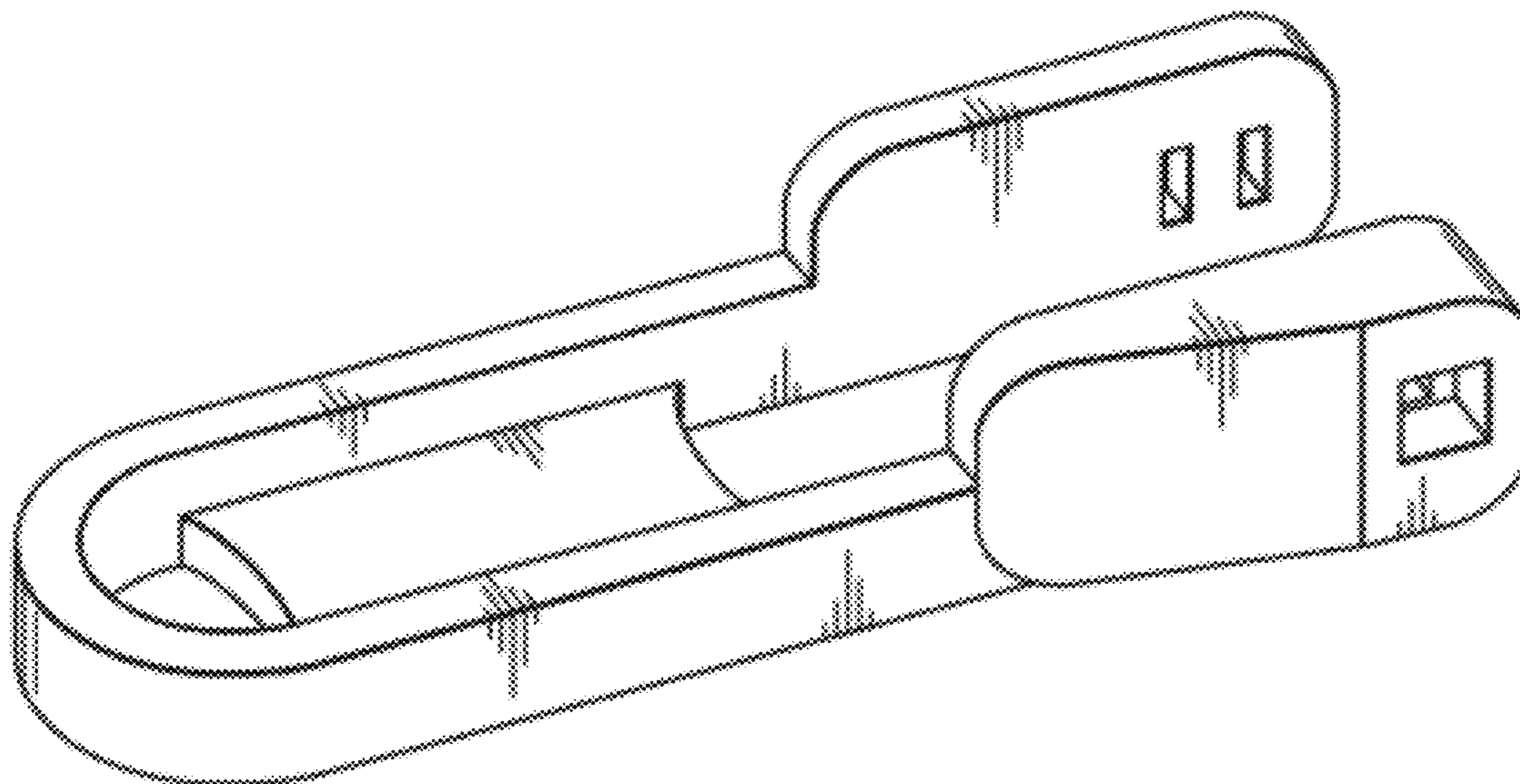
(57) **CLAIM**

I claim the ornamental design for a pocket key organizer, substantially as shown and described.

**DESCRIPTION**

FIG. 1 is a front perspective view of the pocket key organizer; FIG. 2 is a front view of the pocket key organizer; FIG. 3 is a rear view of the pocket key organizer; FIG. 4 is a left side view of the pocket key organizer; FIG. 5 is a right side view of the pocket key organizer; FIG. 6 is a top view of the pocket key organizer; FIG. 7 is a bottom view of the pocket key organizer; FIG. 8 is a left side view of the pocket key organizer; and, FIG. 9 is a left side view of the pocket key organizer. The features shown in broken lines in the various Figures are for illustrating the environmental structure and form no part of the claimed design.

**1 Claim, 4 Drawing Sheets**



U.S. PATENT DOCUMENTS

2,969,668 A 1/1961 Aitchison  
 2,978,897 A 4/1961 Capitani  
 2,989,861 A 6/1961 Schefman  
 3,004,422 A 10/1961 Starrett  
 3,277,680 A 10/1966 Merila  
 3,299,930 A 1/1967 Schumer  
 3,355,917 A 12/1967 Albert  
 3,363,440 A 1/1968 Rivers  
 3,394,565 A 7/1968 Turman  
 3,407,636 A 10/1968 Kovaccvic  
 3,421,349 A 1/1969 St. Clair  
 3,455,131 A 7/1969 Shofner  
 3,527,072 A 9/1970 Demetreon  
 3,606,777 A 9/1971 Watson  
 3,672,192 A 6/1972 Dontas  
 3,677,044 A 7/1972 De Frees  
 3,696,649 A 10/1972 Chow et al.  
 D237,561 S \* 11/1975 Kesner ..... D3/219  
 3,931,688 A 1/1976 Owens  
 D248,960 S \* 8/1978 Iverson ..... D20/23  
 4,297,864 A 11/1981 Beier  
 4,351,173 A 9/1982 Toyoda  
 4,417,612 A 11/1983 Couture et al.  
 4,454,737 A 6/1984 Toyoda  
 4,524,594 A 6/1985 Bascou  
 4,569,215 A 2/1986 McCarthy  
 4,571,967 A 2/1986 Jacobsen  
 4,658,749 A 4/1987 Sanders  
 4,901,547 A 2/1990 Dal Palu'  
 4,939,917 A 7/1990 Cartwright  
 4,941,569 A 7/1990 Lindmayer et al.  
 4,951,489 A 8/1990 Proch  
 D332,384 S 1/1993 Dague  
 D334,528 S 4/1993 Franklin  
 5,199,560 A 4/1993 Lee et al.  
 5,207,082 A 5/1993 LeMaitre  
 D356,019 S 3/1995 Sakai  
 D357,166 S 4/1995 Concari  
 5,460,022 A 10/1995 Parsons  
 D364,269 S \* 11/1995 Sabosky ..... D3/207  
 5,544,510 A 8/1996 Botteon et al.  
 5,568,741 A 10/1996 Parsons  
 D382,190 S 8/1997 Blackston et al.  
 5,704,235 A 1/1998 Stahle  
 5,704,236 A 1/1998 Parsons  
 5,711,194 A 1/1998 Anderson  
 5,732,579 A 3/1998 D'Hont et al.  
 5,768,925 A 6/1998 Ozawa et al.  
 5,791,211 A 8/1998 Bondhus et al.

D404,284 S 1/1999 Sacco et al.  
 D405,675 S 2/1999 Rivera  
 D415,343 S \* 10/1999 Maddox ..... D3/215  
 6,016,676 A 1/2000 McConnell  
 D423,209 S \* 4/2000 Guyot ..... D3/207  
 D427,501 S 7/2000 Berg et al.  
 6,106,131 A 8/2000 Hao  
 D434,302 S 11/2000 Van Den Acker  
 6,164,102 A 12/2000 Gapco  
 D442,060 S 5/2001 Neset  
 D442,061 S 5/2001 Harris et al.  
 D442,466 S 5/2001 Van Den Acker  
 6,282,996 B1 9/2001 Berg et al.  
 D473,710 S \* 4/2003 Szilva ..... D3/207  
 D478,207 S \* 8/2003 Johnson ..... D3/207  
 6,684,673 B2 2/2004 Florendo  
 6,763,938 B1 7/2004 Nelson  
 6,892,558 B2 5/2005 Chodosh  
 D514,310 S \* 2/2006 Roye ..... D3/207  
 7,032,419 B2 4/2006 Booker  
 7,127,922 B2 10/2006 Khounsombath et al.  
 D539,526 S \* 4/2007 Stein ..... D3/207  
 D624,305 S 9/2010 Downes  
 2011/0016937 A1 1/2011 Downes

OTHER PUBLICATIONS

Anonymous, "Products," Down Home Leather, Nov. 24, 2011.  
 Anonymous, "Novel Key Holder," Popular Mechanics at p. 161 (Jan. 1923).  
 Anonymous, "Key & Holders," Able Home Aides (Nov. 24, 2011).  
 Crew, "My new custom 'multi-key', made from a Gerber Curvel," EDCForums (Dec. 1, 2010).  
 LEGOMAN0721, "Cold Steel Mini Tac Tanto," EDCForums (Nov. 24, 2010).  
 Aphi, "Switchkey," EDCForums (Dec. 19, 2010).  
 Shadeone, "The Real Leatherman KEYman! My custom Multi-Key!!," EDCForums (Aug. 6, 2007).  
 Anonymous, "Master Key Set," T-Parts (Date Unknown).  
 Anonymous, "True Utility® Keyring System," True Utility (Date Unknown).  
 Dieck, "Ultra Ultra minimalist keyring," EDCForums (May 29, 2008).  
 Diaz, Oscar, "While u sleep," Oscar Diaz Studio (Date Unknown).  
 Wild Style, "wild style's daily carry," EDCForums (Oct. 21, 2009).  
 Anonymous, "Carrying Keys," Carryology (Jun. 3, 2010).  
 Busch, "Photo Set 1," (Jul. 8, 2007).  
 Busch, "Photo Set 2," (Jul. 8, 2007).

\* cited by examiner



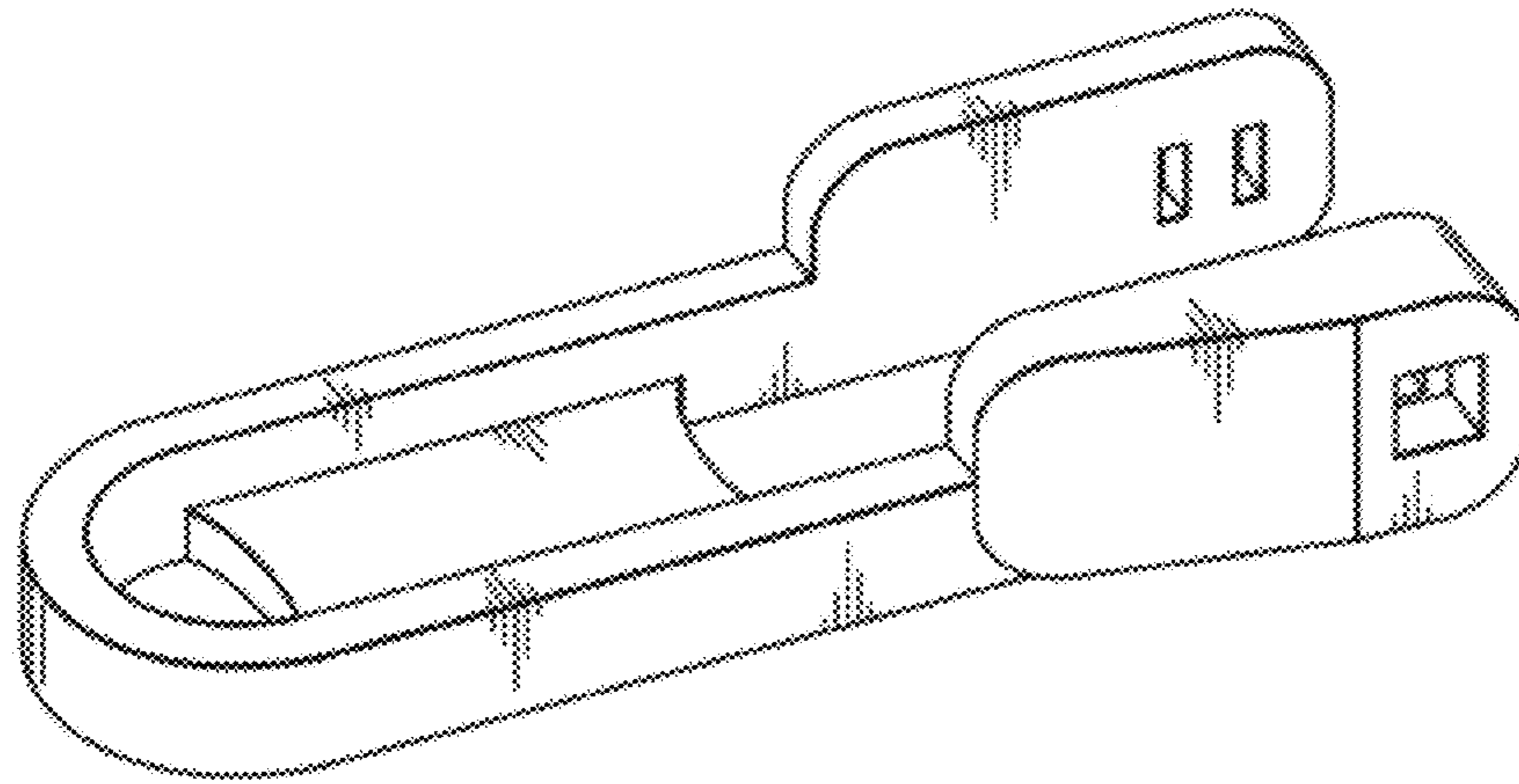


FIG. 1

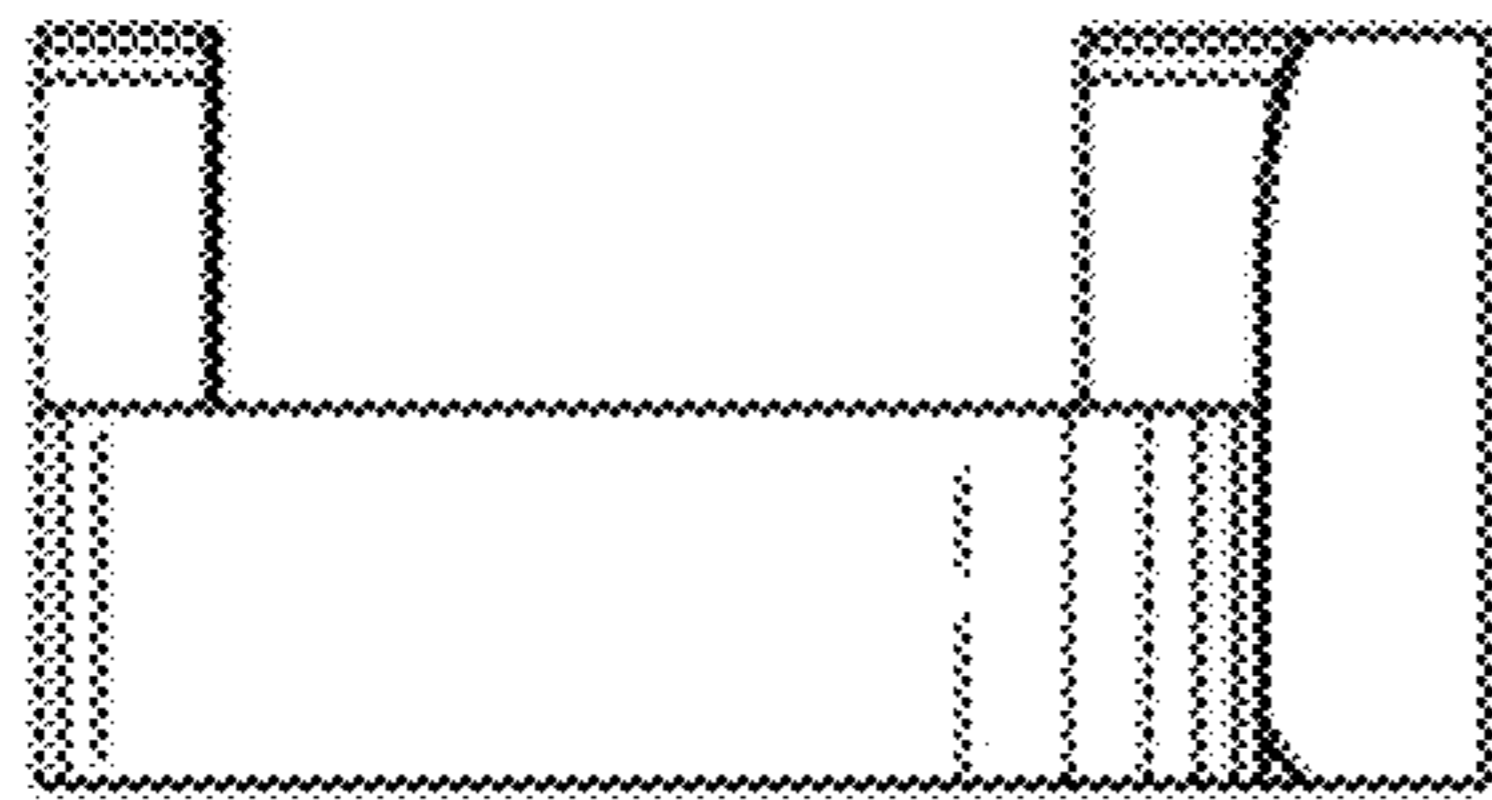


FIG. 2

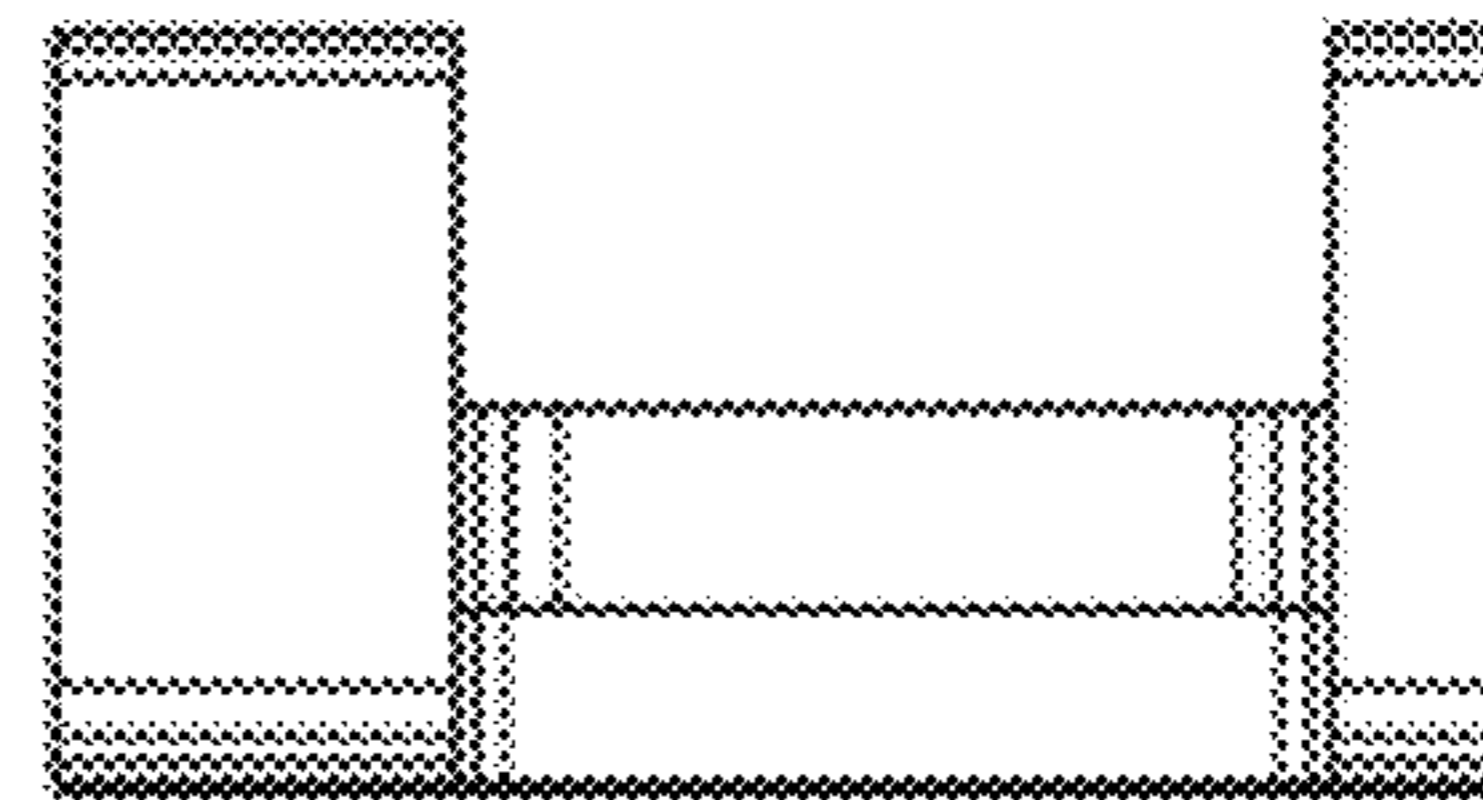


FIG. 3

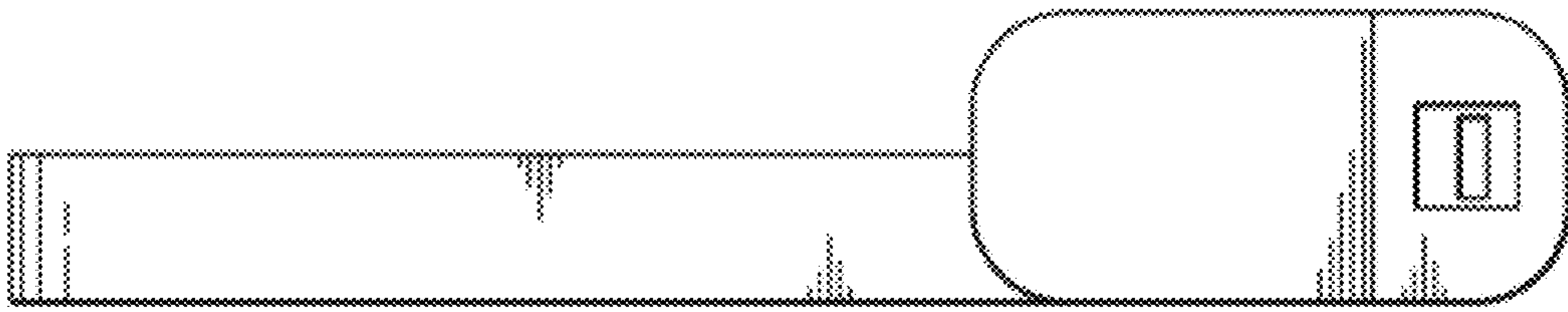


FIG. 4

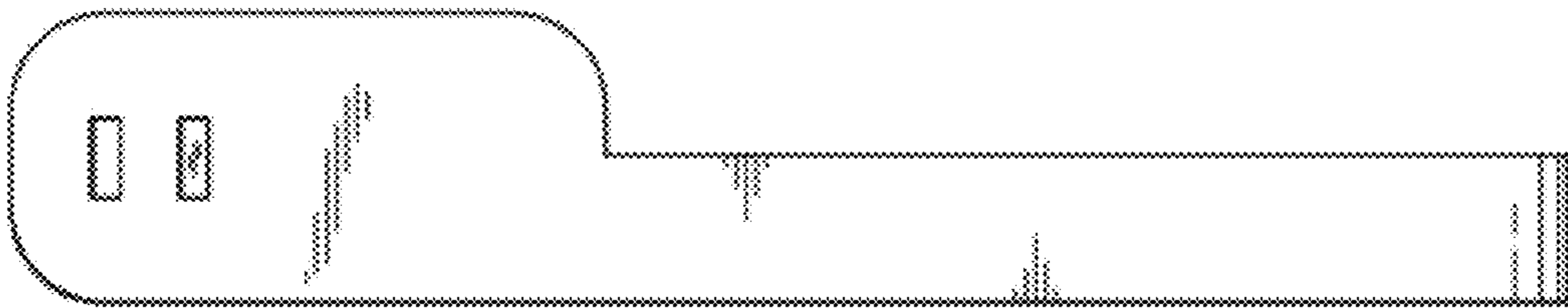


FIG. 5

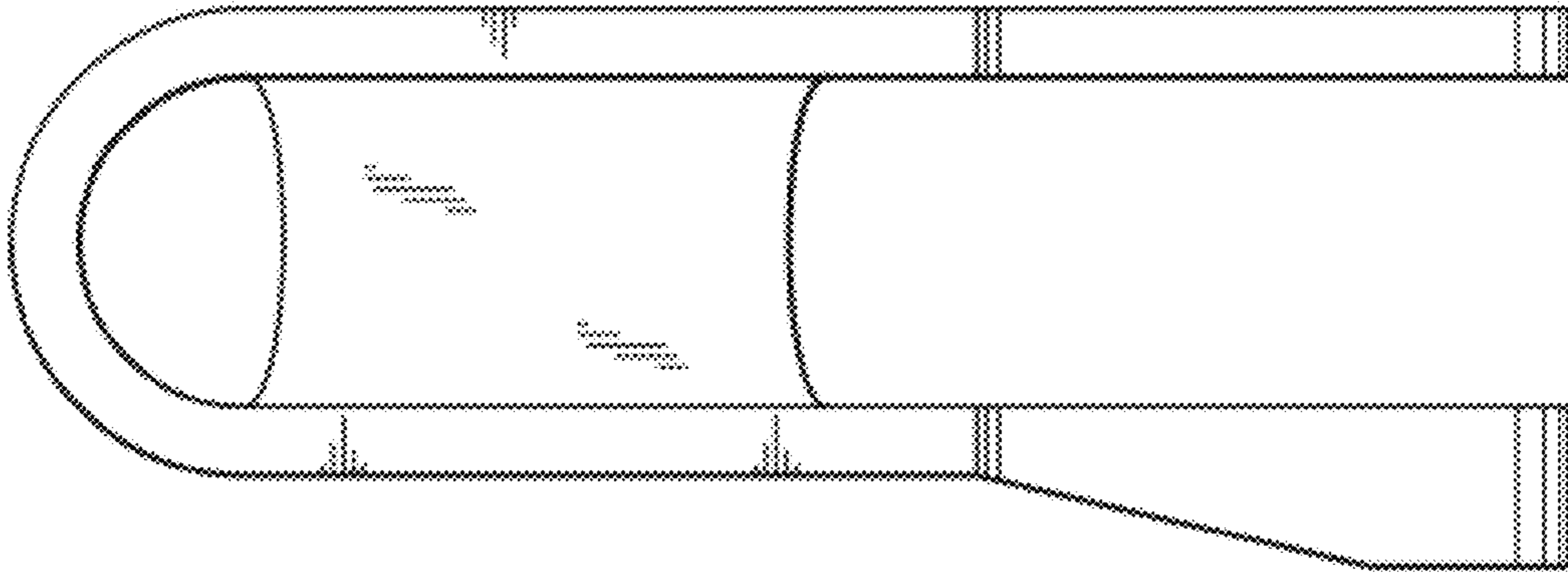


FIG. 6

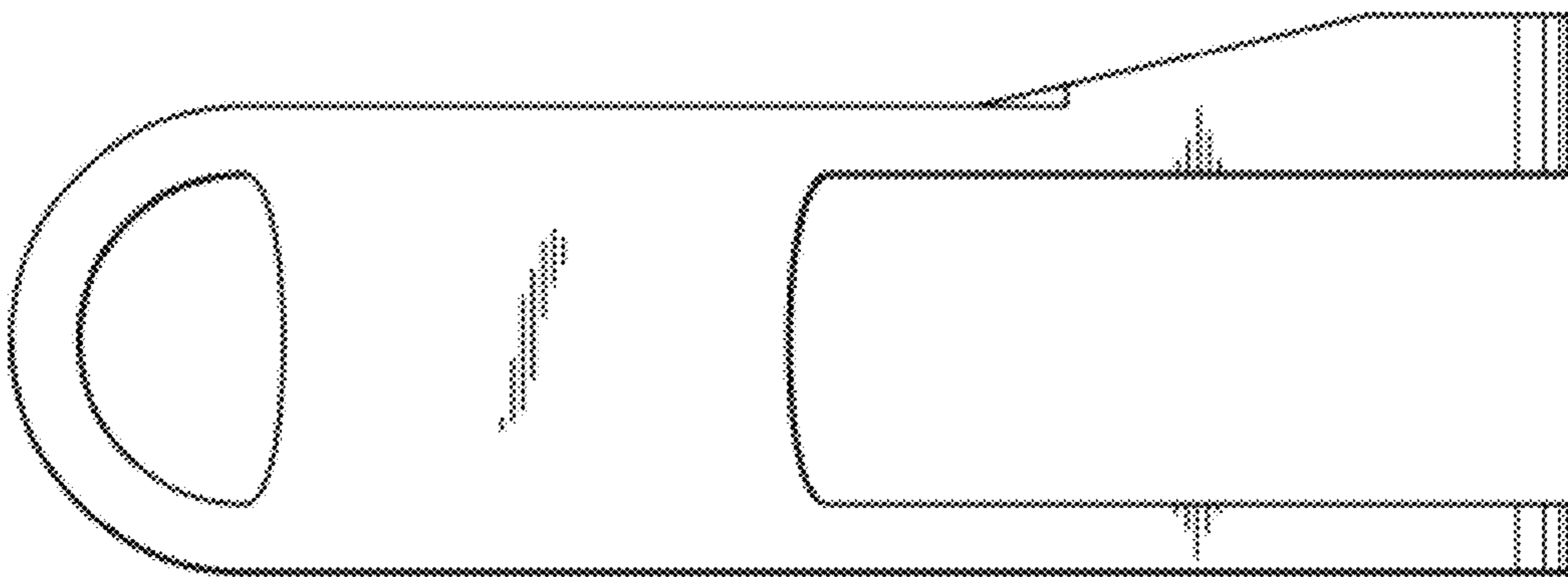


FIG. 7

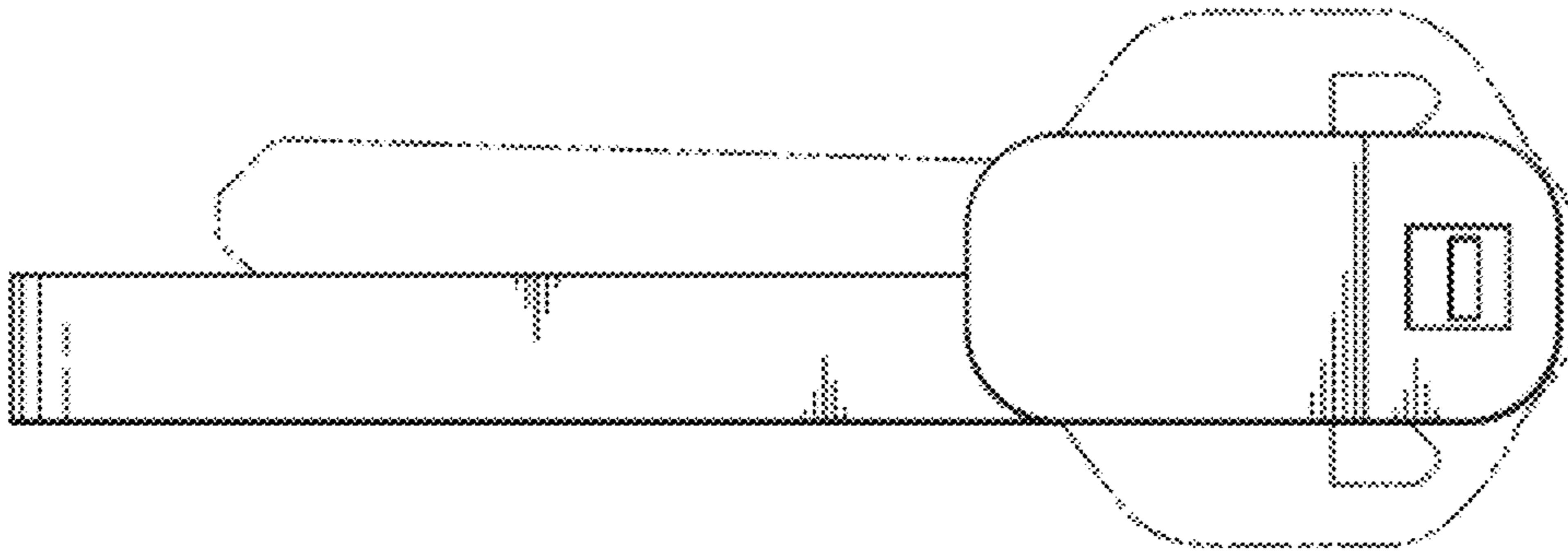


FIG. 8

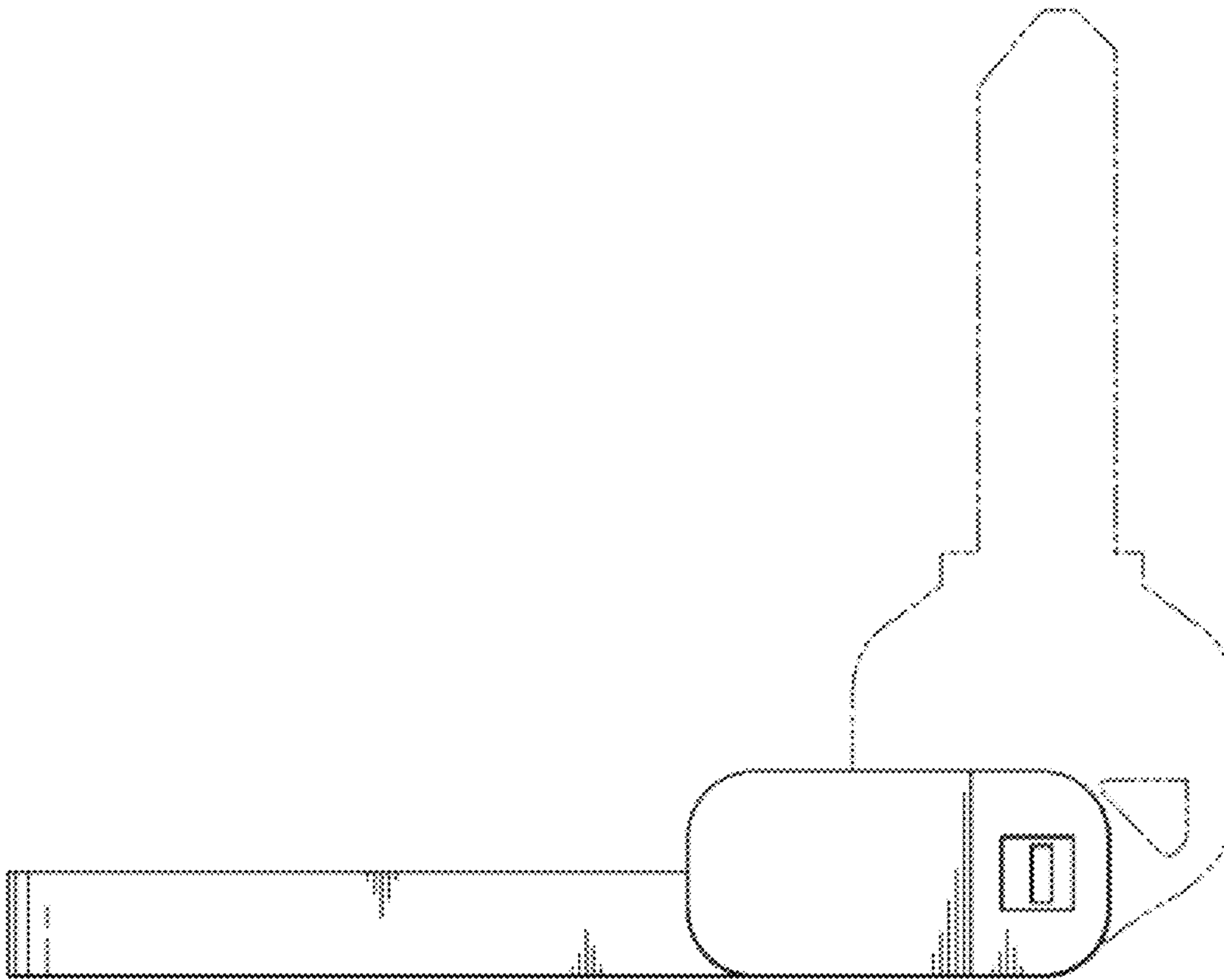


FIG. 9