

US00D674580S

(12) **United States Design Patent**
Rinaldi

(10) **Patent No.:** **US D674,580 S**
(45) **Date of Patent:** **** Jan. 22, 2013**

(54) **BASEBALL THEMED SPORT SANDAL**

(76) Inventor: **Deborah Rinaldi**, Mt. Arlington, NJ
(US)

(**) Term: **14 Years**

(21) Appl. No.: **29/371,880**

(22) Filed: **Dec. 13, 2011**

(51) **LOC (9) Cl.** **02-04**

(52) **U.S. Cl.** **D2/916**

(58) **Field of Classification Search** D2/897,
D2/898, 900, 916, 917, 946, 969, 972; 36/45,
36/50.1, 51, 83, 88, 113, 114, 8.1, 9 R, 11.5,
36/58.5

See application file for complete search history.

(56) **References Cited**

U.S. PATENT DOCUMENTS

D403,493 S *	1/1999	McKinley	D2/900
D454,425 S *	3/2002	Boncutter	D2/919
D514,778 S *	2/2006	Berg et al.	D2/916
D552,831 S *	10/2007	Cunningham	D2/897
D558,958 S *	1/2008	Motomura	D2/916
D560,331 S *	1/2008	Cohen	D2/897
D564,186 S *	3/2008	Cohen	D2/897
D581,139 S *	11/2008	Cohen	D2/897
D616,628 S *	6/2010	Wooles	D2/717

* cited by examiner

Primary Examiner — Robert M Spear

Assistant Examiner — Rashida C McCoy

(74) *Attorney, Agent, or Firm* — Raymond Jones

(57) **CLAIM**

The ornamental design for a baseball themed sport sandal, as shown and described.

DESCRIPTION

FIG. 1 is a top view of the baseball themed sport sandal showing my new design;

FIG. 2 is a left side view of the baseball themed sport sandal of FIG. 1;

FIG. 3 is a right side view of the baseball themed sport sandal of FIG. 1;

FIG. 4 is a rear view of the baseball themed sport sandal of FIG. 1; and,

FIG. 5 is a front view of the baseball themed sport sandal of FIG. 1.

The bottom of the sport sandal is flat and is unornamented. The broken lines in the figures are included to show the structure of the sport sandal, and form no part of the claimed design.

1 Claim, 3 Drawing Sheets

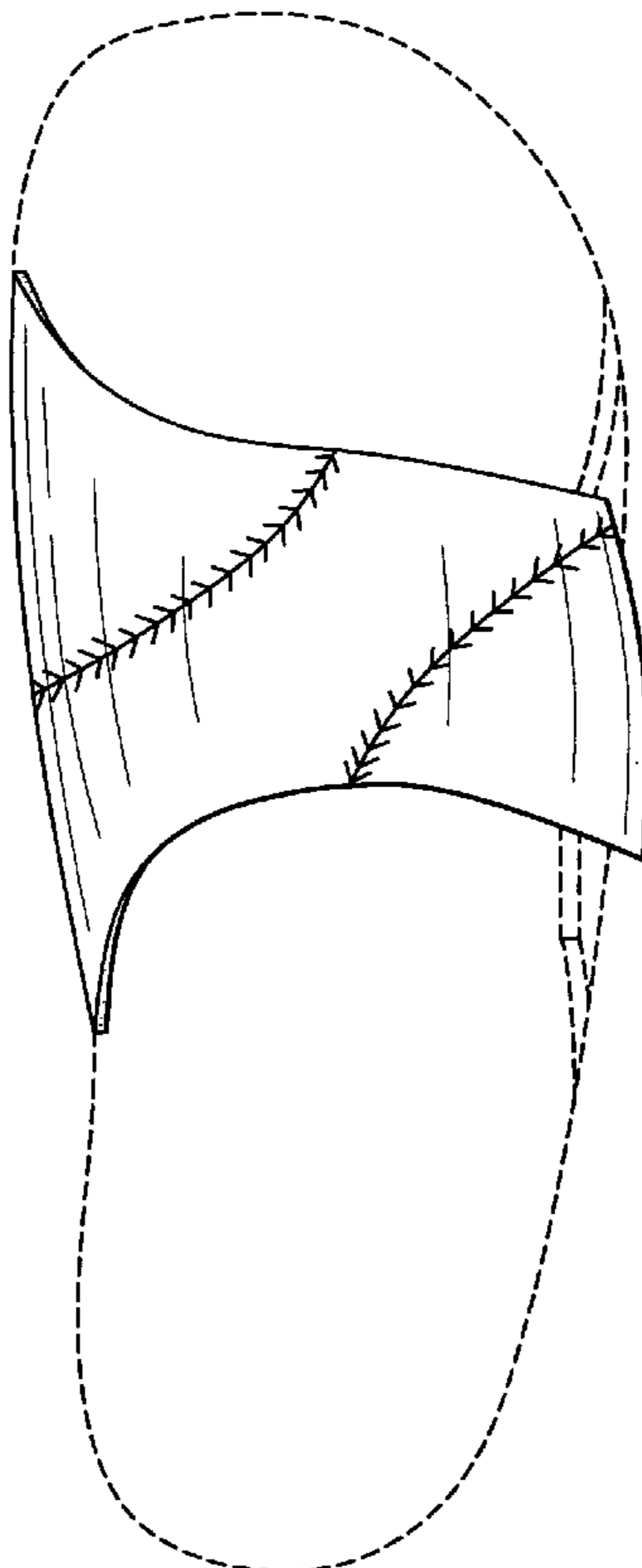


FIG. 1

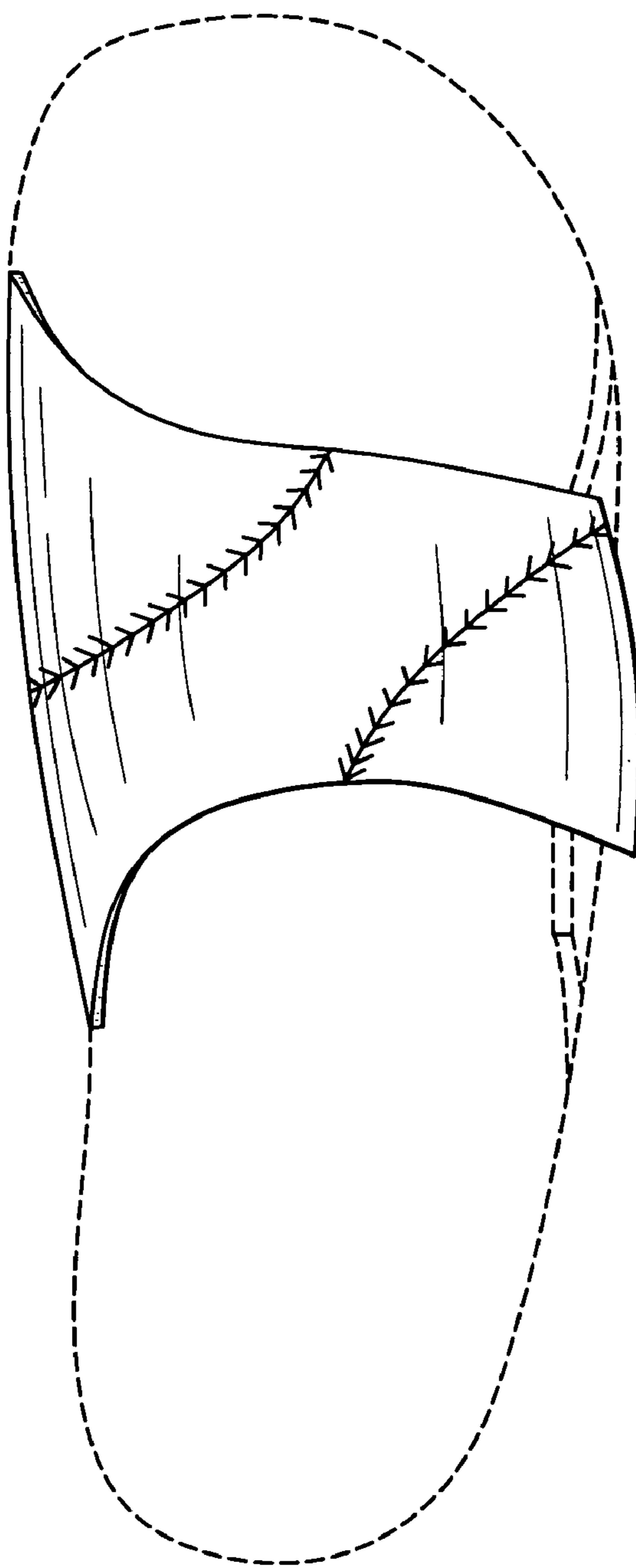


FIG. 2

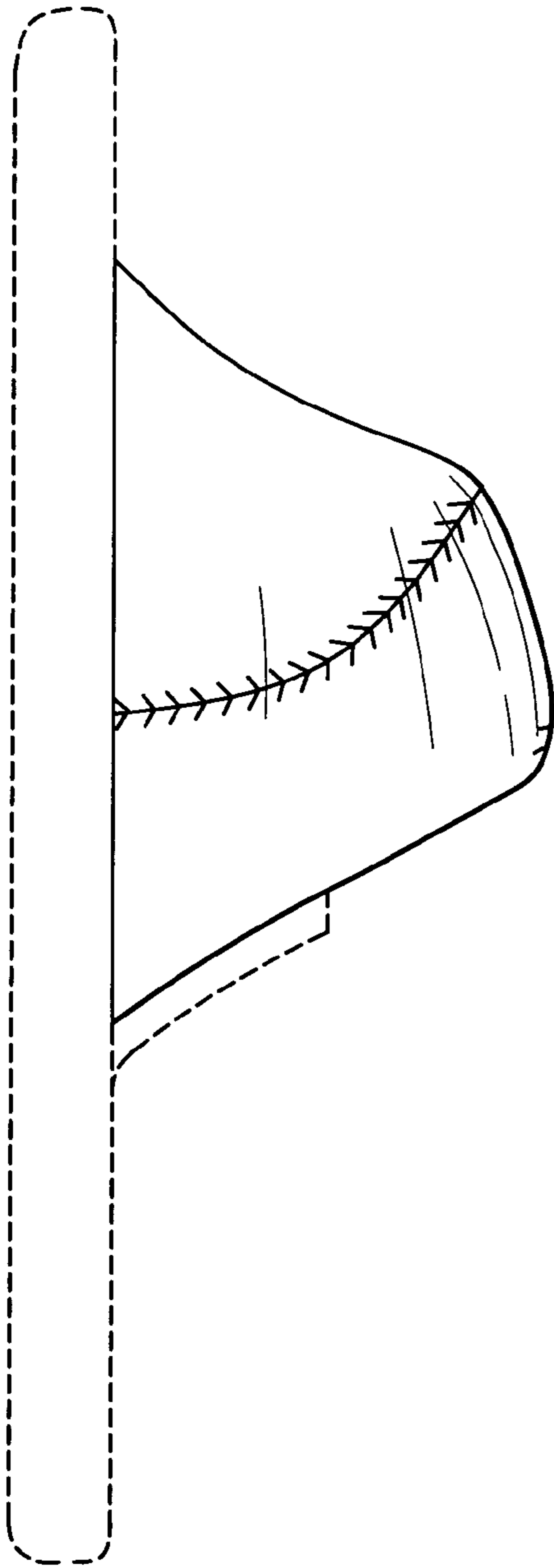


FIG. 3

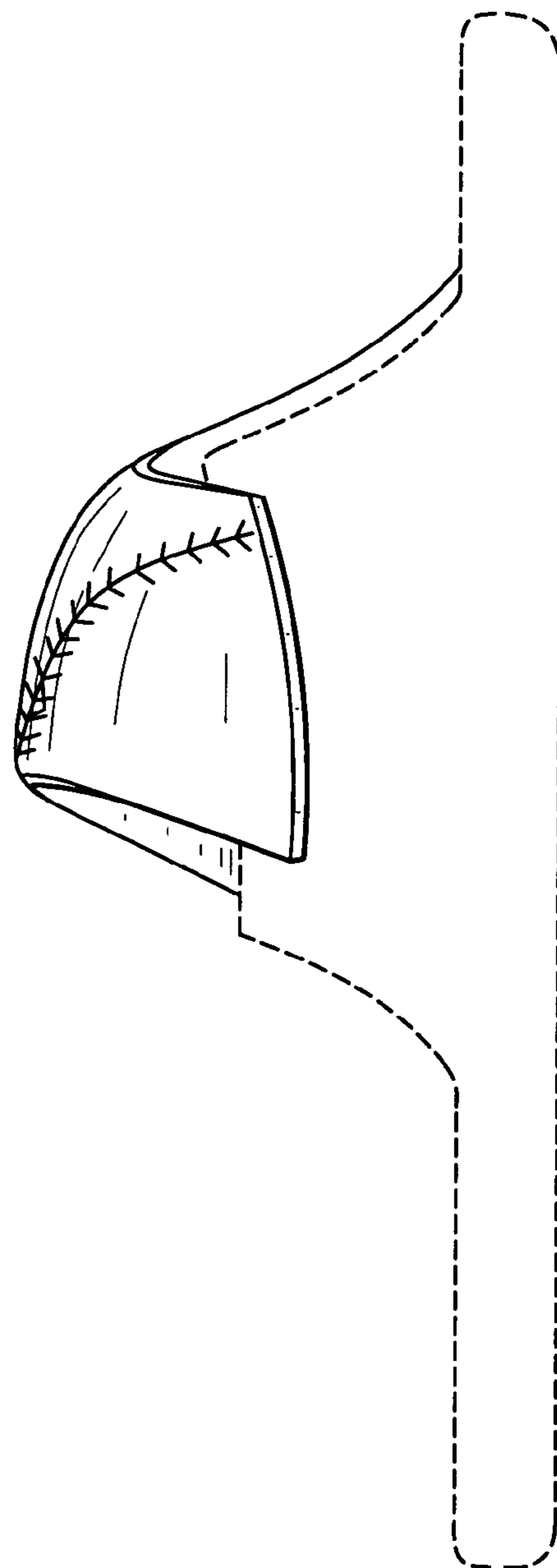


FIG. 4

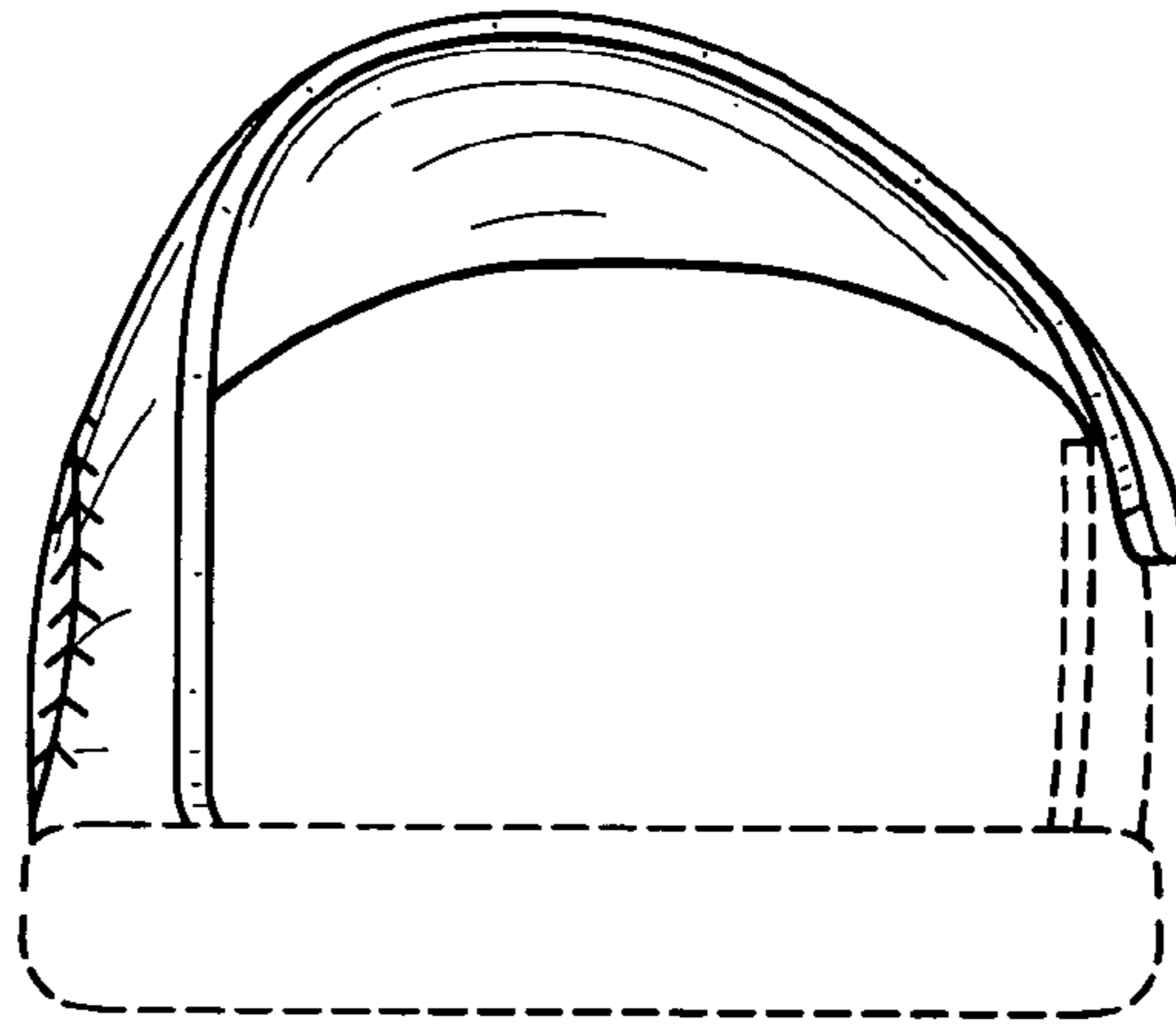


FIG. 5

