



US00D674572S

(12) **United States Design Patent**  
**Sanwald et al.**

(10) **Patent No.:** **US D674,572 S**  
(45) **Date of Patent:** **\*\* Jan. 15, 2013**

(54) **POWDER SPRAY COATING CART**

- (75) Inventors: **Marco Sanwald**, Abtwil (CH);  
**Hanspeter Michael**, Gossau (CH)
- (73) Assignee: **Illinois Tool Works, Inc.**, Glenview, IL  
(US)
- (\*\*) Term: **14 Years**
- (21) Appl. No.: **29/398,559**
- (22) Filed: **Aug. 2, 2011**
- (30) **Foreign Application Priority Data**

Feb. 3, 2011 (EM) ..... 001257927

- (51) **LOC (9) Cl.** ..... **12-02**
- (52) **U.S. Cl.** ..... **D34/14**
- (58) **Field of Classification Search** ..... D34/12-27;  
280/642, 42, 47.31, 650, 47.18, 47.19, 47.24,  
280/47.27, 47.28, 47.34-47.371, 79.5-79.7;  
406/39, 134

See application file for complete search history.

(56) **References Cited**

**U.S. PATENT DOCUMENTS**

D187,550 S \* 3/1960 Hoover ..... D15/150  
(Continued)

*Primary Examiner* — Cynthia Ramirez

(74) *Attorney, Agent, or Firm* — Lowe Hauptman Ham & Berner LLP

(57) **CLAIM**

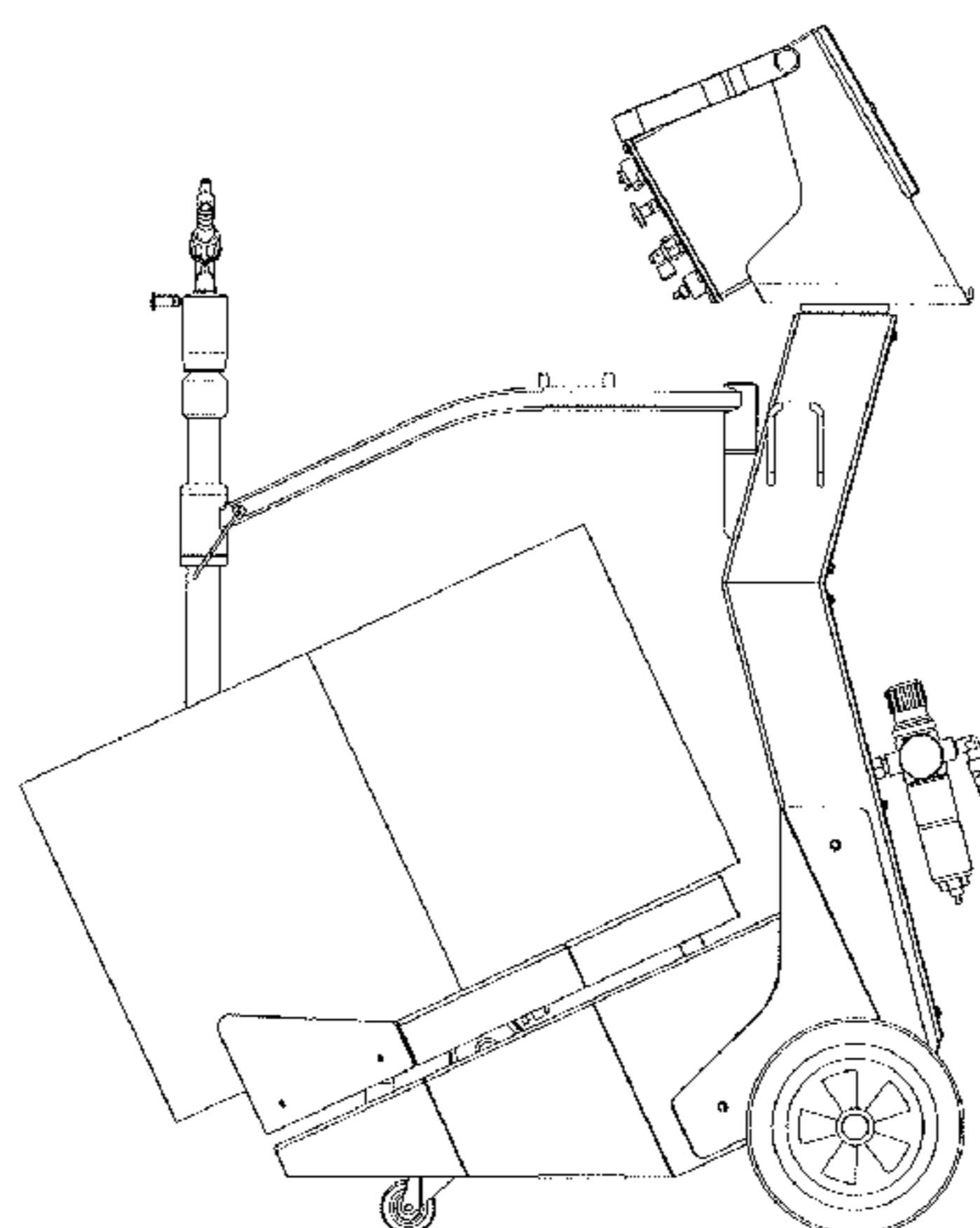
The ornamental design for a powder spray coating cart, as shown and described.

**DESCRIPTION**

FIG. 1 is a left side view of a powder spray coating cart bearing the design and having a control unit rotated in the position 180° ;  
 FIG. 2 is a right side view of the powder spray coating cart of FIG. 1;  
 FIG. 3 is a back-right perspective view of the powder spray coating cart of FIG. 1;  
 FIG. 4 is a front-right perspective view of the powder spray coating cart of FIG. 1;

FIG. 5 is a front view of the powder spray coating cart of FIG. 1;  
 FIG. 6 is a bottom view of the powder spray coating cart of FIG. 1; and  
 FIG. 7 is a top view of the powder spray coating cart of FIG. 1.  
 FIG. 8 is a left side view of the powder spray coating cart having the control unit rotated in the position 90° ;  
 FIG. 9 is a right side view of the powder spray coating cart of FIG. 8;  
 FIG. 10 is a back-right perspective view of the powder spray coating cart of FIG. 8;  
 FIG. 11 is a front-right perspective view of the powder spray coating cart of FIG. 8;  
 FIG. 12 is a front view of the powder spray coating cart of FIG. 8;  
 FIG. 13 is a bottom view of the powder spray coating cart of FIG. 8; and  
 FIG. 14 is a top view of the powder spray coating cart of FIG. 8.  
 FIG. 15 is a left side view of the powder spray coating cart having the control unit rotated in the position 45° ;  
 FIG. 16 is a right side view of the powder spray coating cart of FIG. 15;  
 FIG. 17 is a back-right perspective view of the powder spray coating cart of FIG. 15;  
 FIG. 18 is a front-right perspective view of the powder spray coating cart of FIG. 15;  
 FIG. 19 is a front view of the powder spray coating cart of FIG. 15;  
 FIG. 20 is a bottom view of the powder spray coating cart of FIG. 15; and  
 FIG. 21 is a top view of the powder spray coating cart of FIG. 15.  
 FIG. 22 is a left side view of the powder spray coating cart having the control unit rotated in the position 0° ;  
 FIG. 23 is a right side view of the powder spray coating cart of FIG. 22;  
 FIG. 24 is a back-right perspective view of the powder spray coating cart of FIG. 22;  
 FIG. 25 is a front-right perspective view of the powder spray coating cart of FIG. 22;  
 FIG. 26 is a front view of the powder spray coating cart of FIG. 22;  
 FIG. 27 is a bottom view of the powder spray coating cart of FIG. 22; and,  
 FIG. 28 is a top view of the powder spray coating cart of FIG. 22.

**1 Claim, 28 Drawing Sheets**



# US D674,572 S

Page 2

---

## U.S. PATENT DOCUMENTS

3,940,065	A *	2/1976	Ware et al. ....	239/146	6,279,838	B1 *	8/2001	Sivells et al. ....	239/146
4,588,318	A *	5/1986	O'Brien et al. ....	401/146	D493,020	S *	7/2004	Resfum .....	D34/20
D396,824	S *	8/1998	Bolster .....	D11/130.1	D622,924	S *	8/2010	Liao .....	D34/15
D424,771	S *	5/2000	Sivells et al. ....	D34/14	7,871,090	B2 *	1/2011	Staub .....	280/79.5
D444,279	S *	6/2001	Kristiansen et al. ....	D34/12					

\* cited by examiner

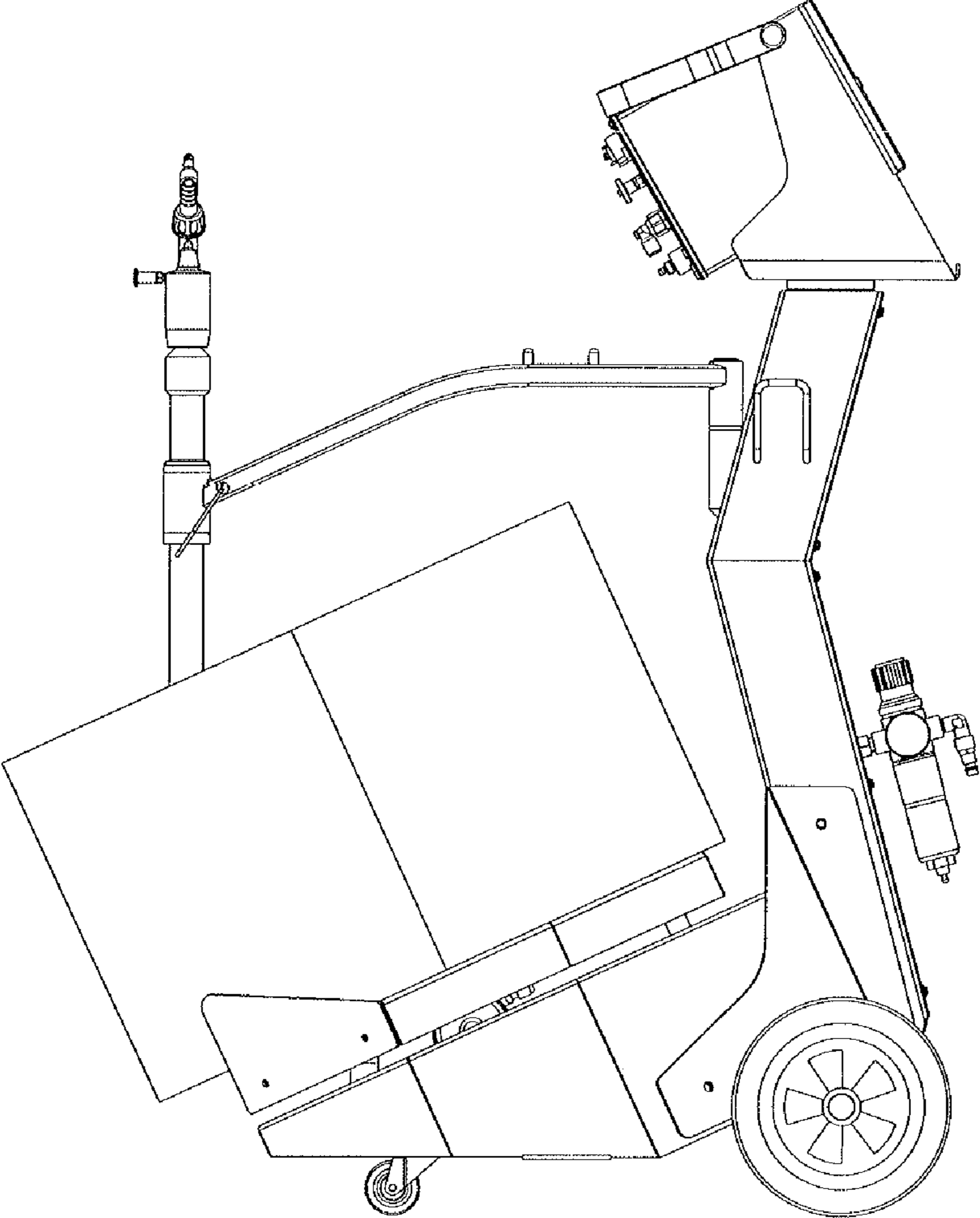


FIGURE 1

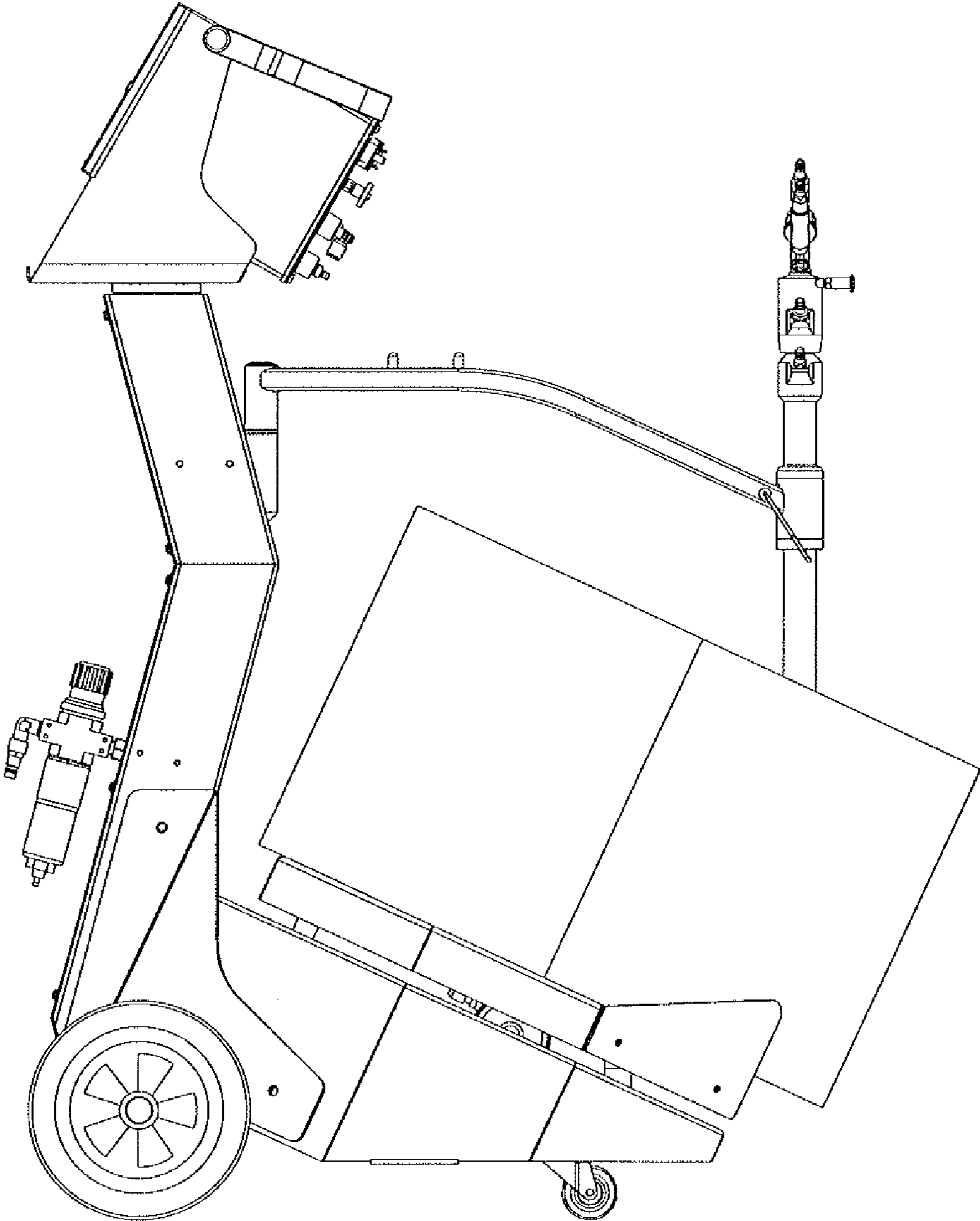


FIGURE 2

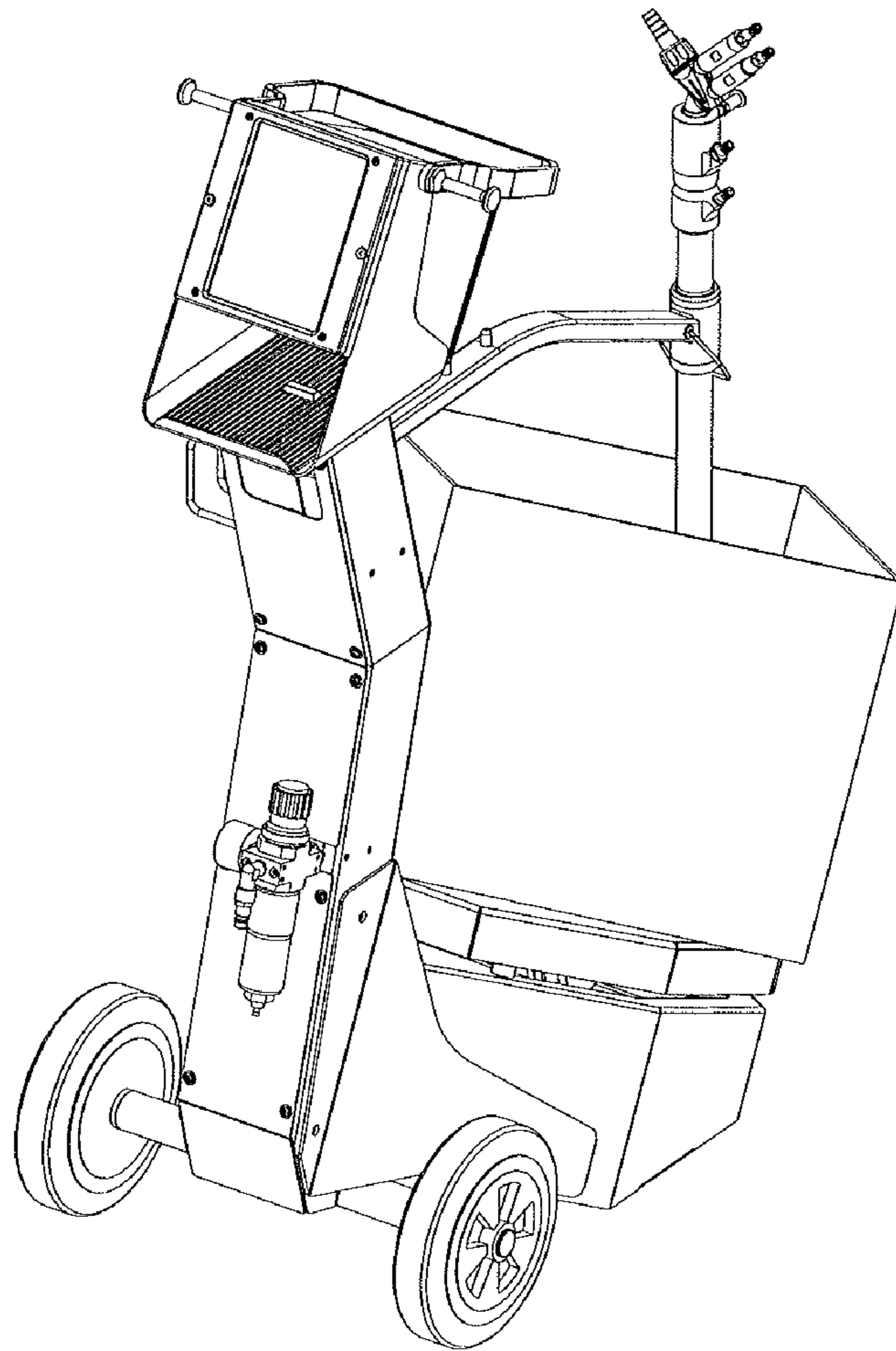
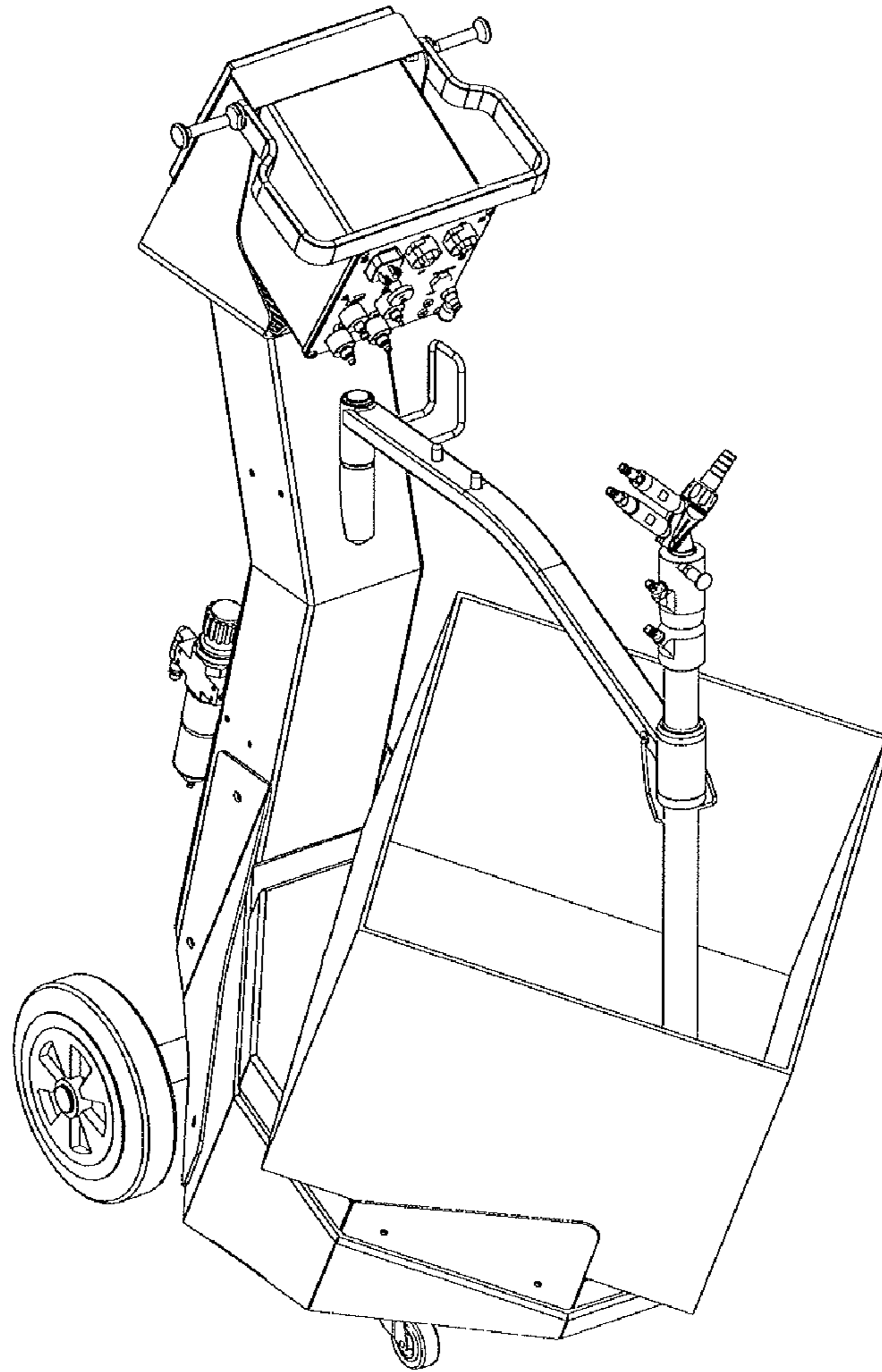
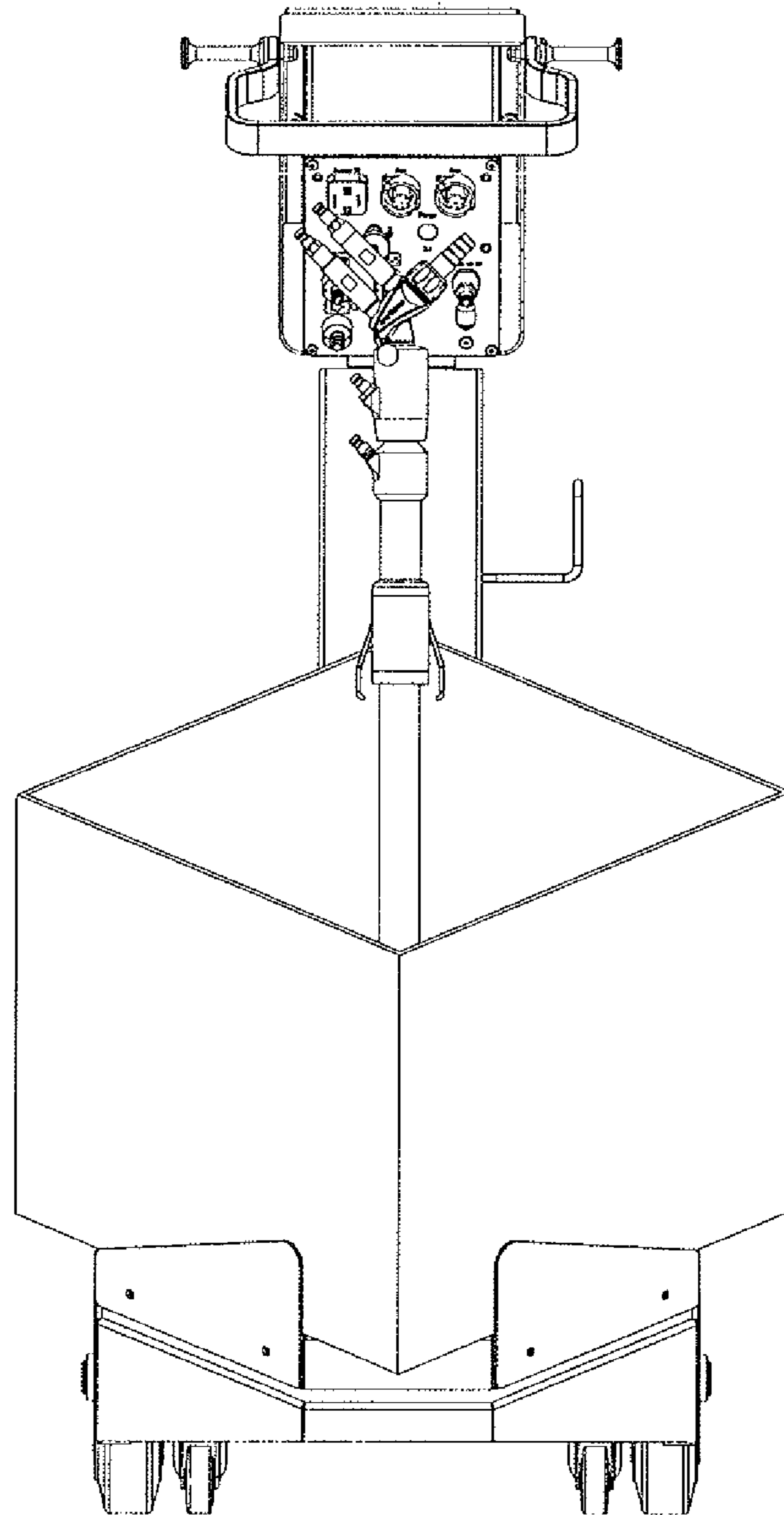


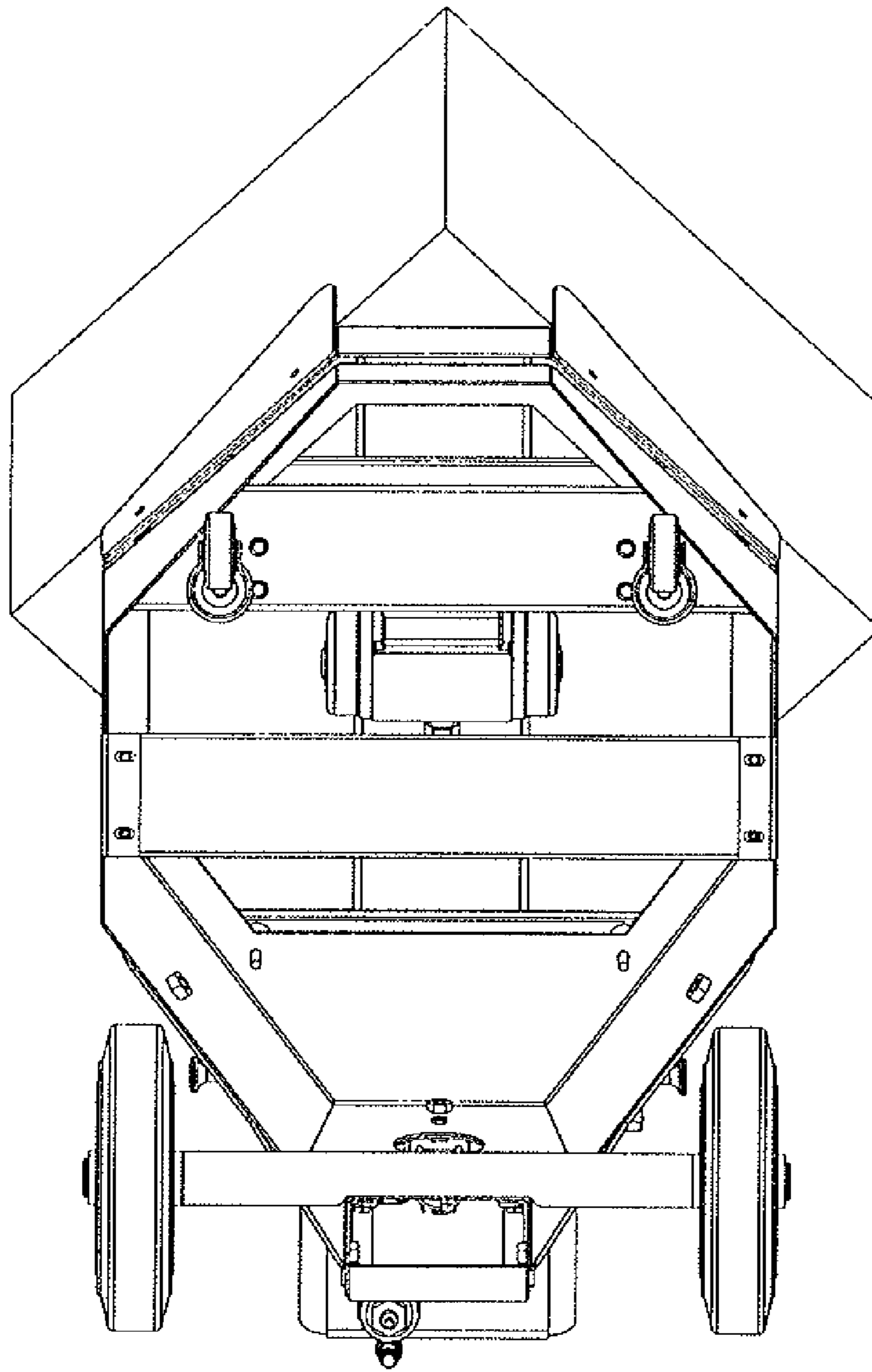
FIGURE 3



**FIGURE 4**

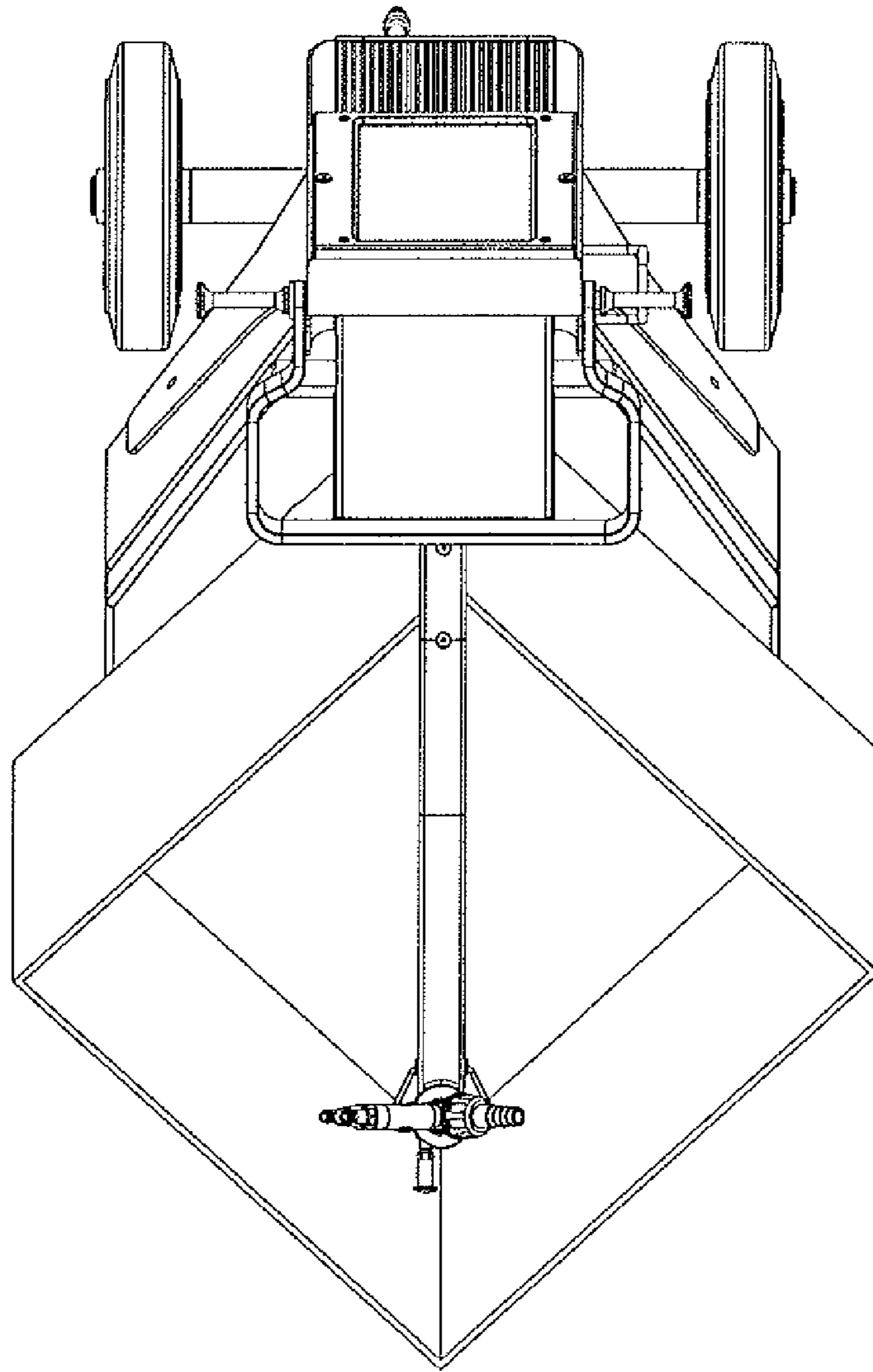


**FIGURE 5**



**FIGURE 6**





**FIGURE 7**

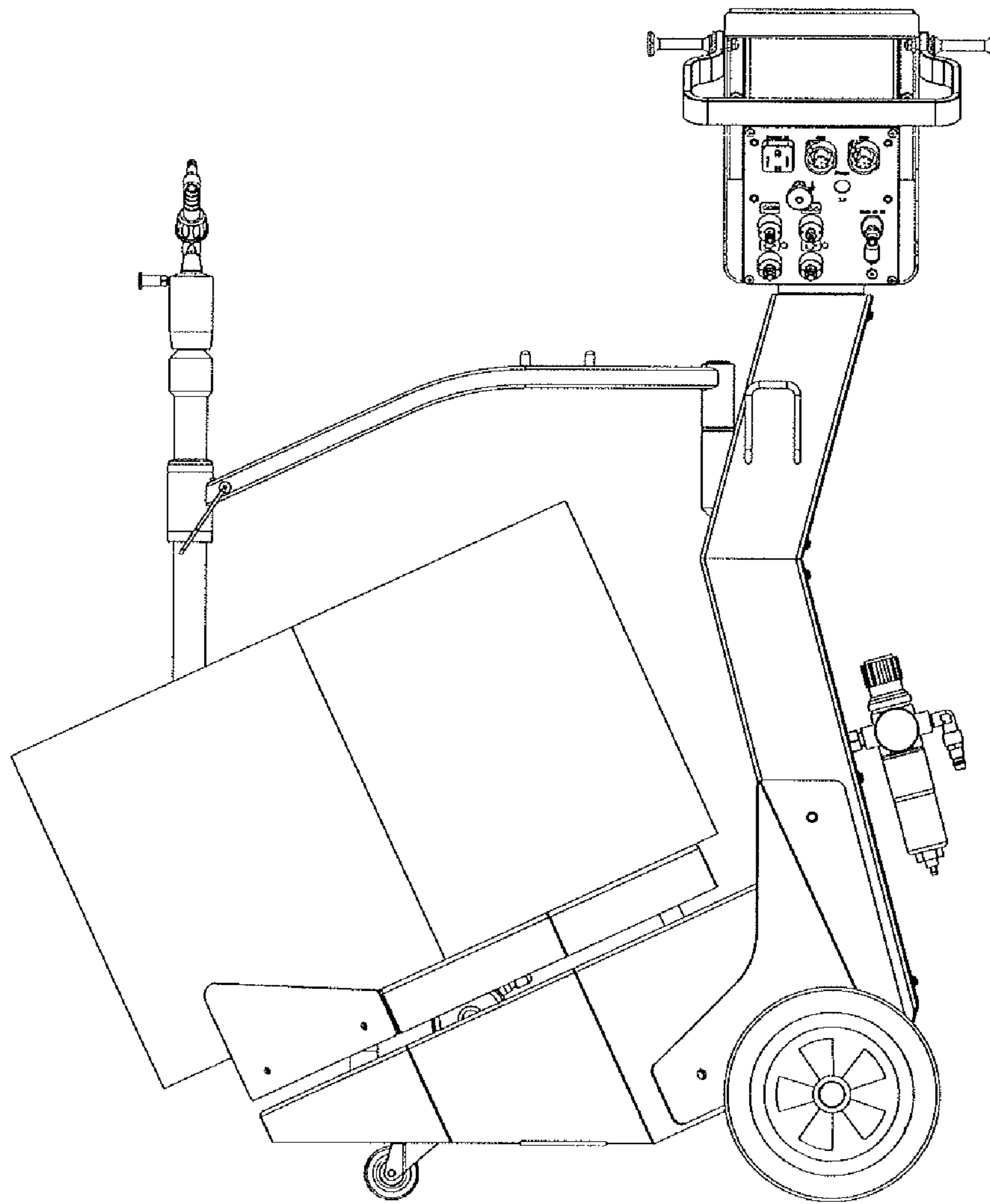


FIGURE 8

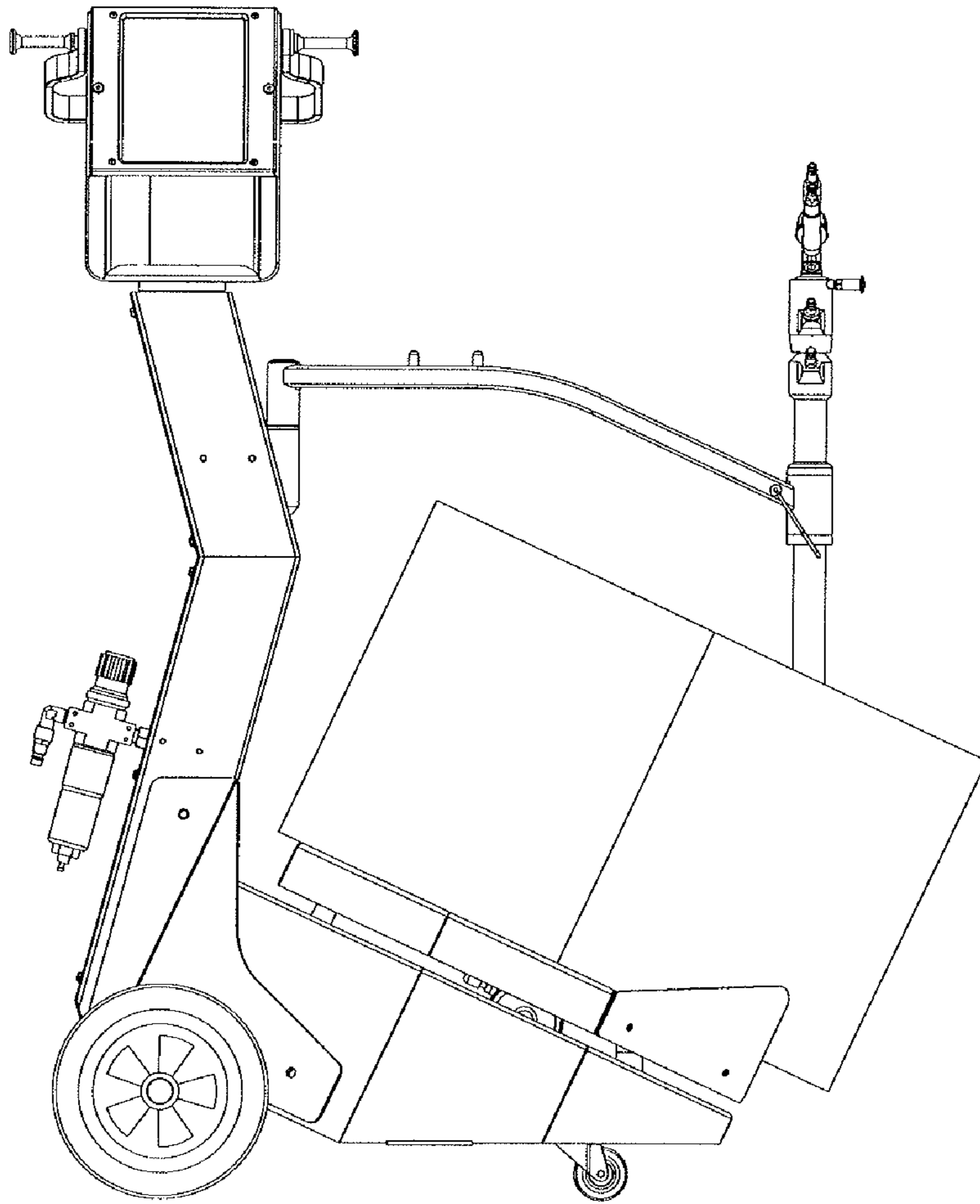
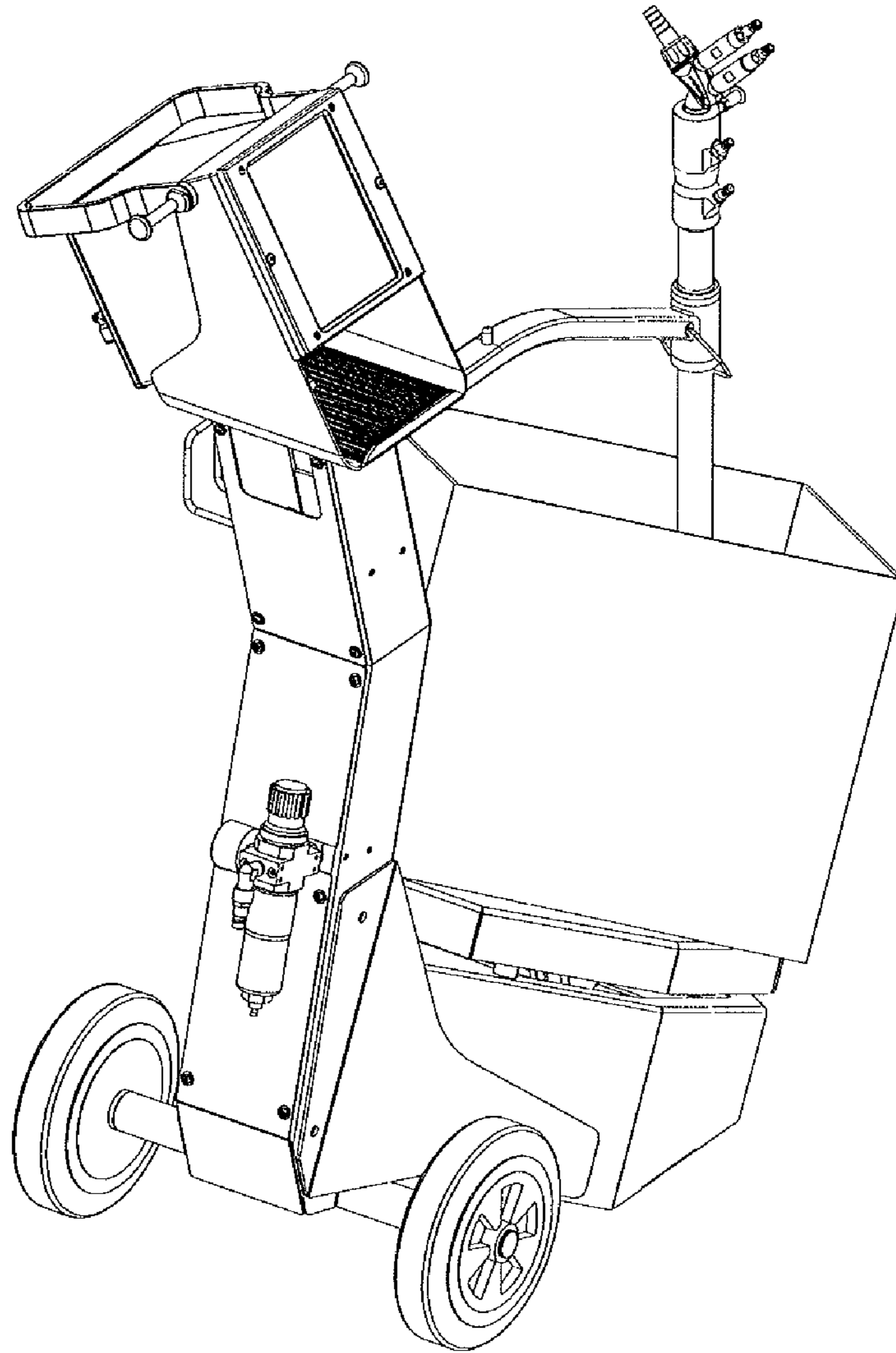
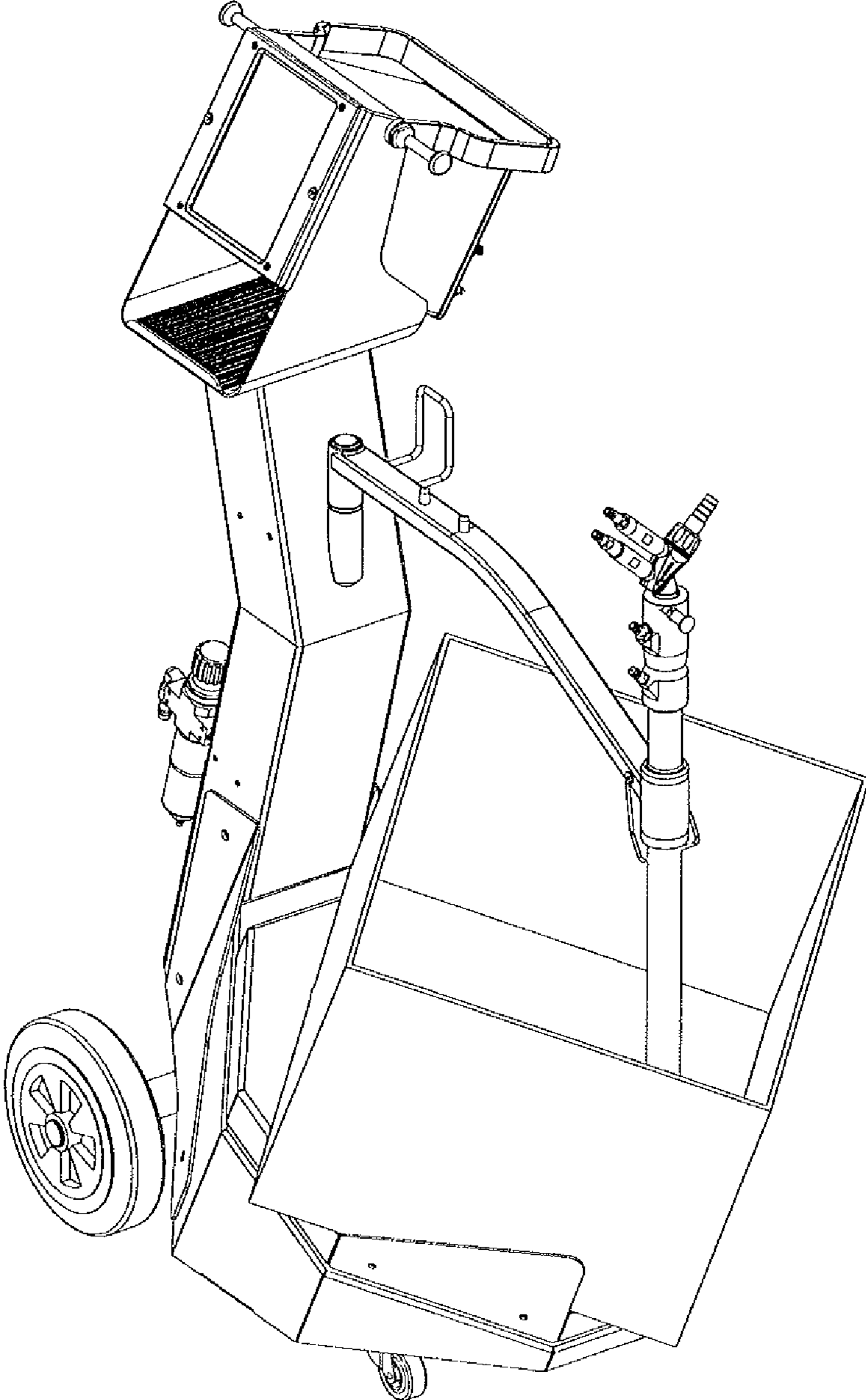


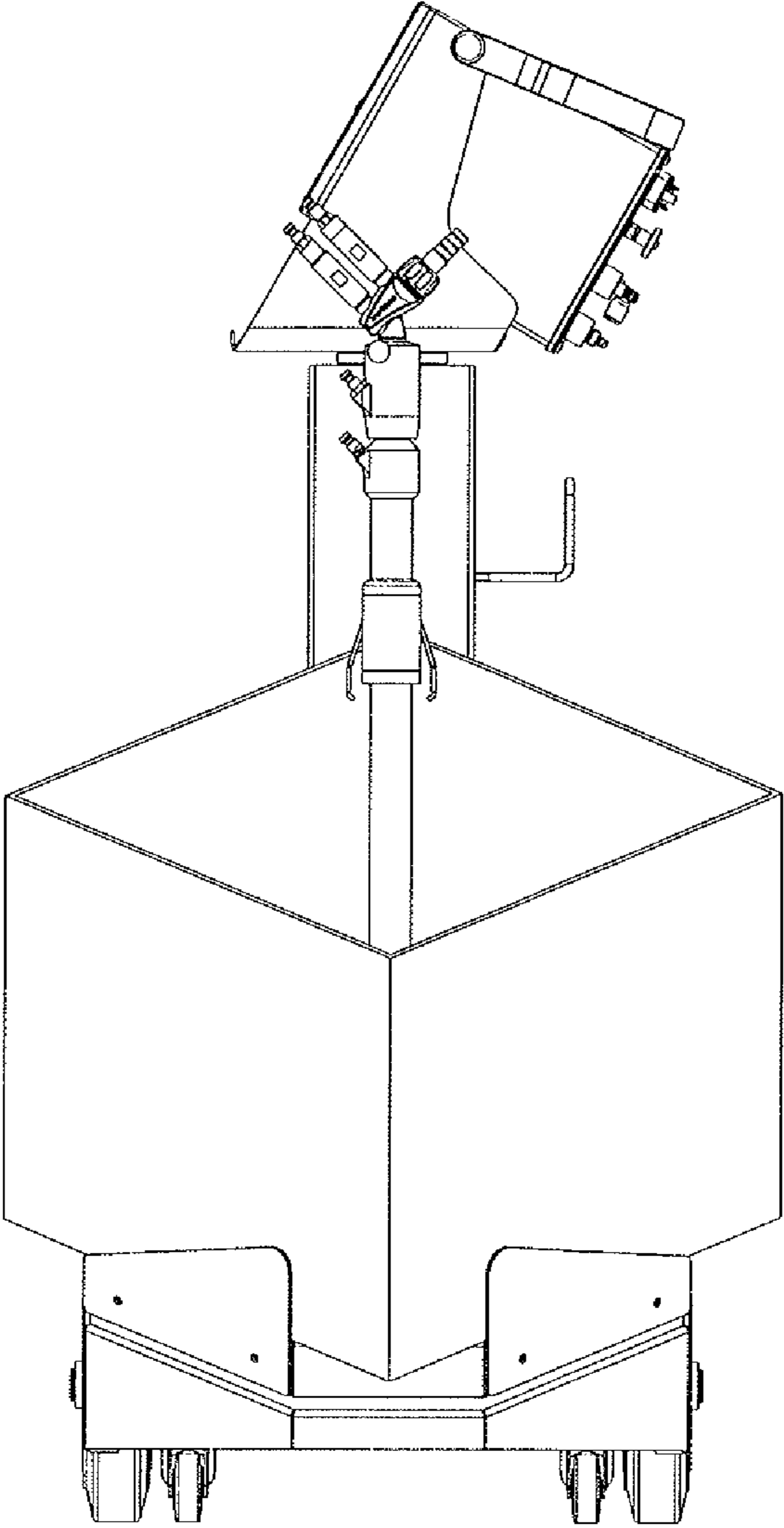
FIGURE 9



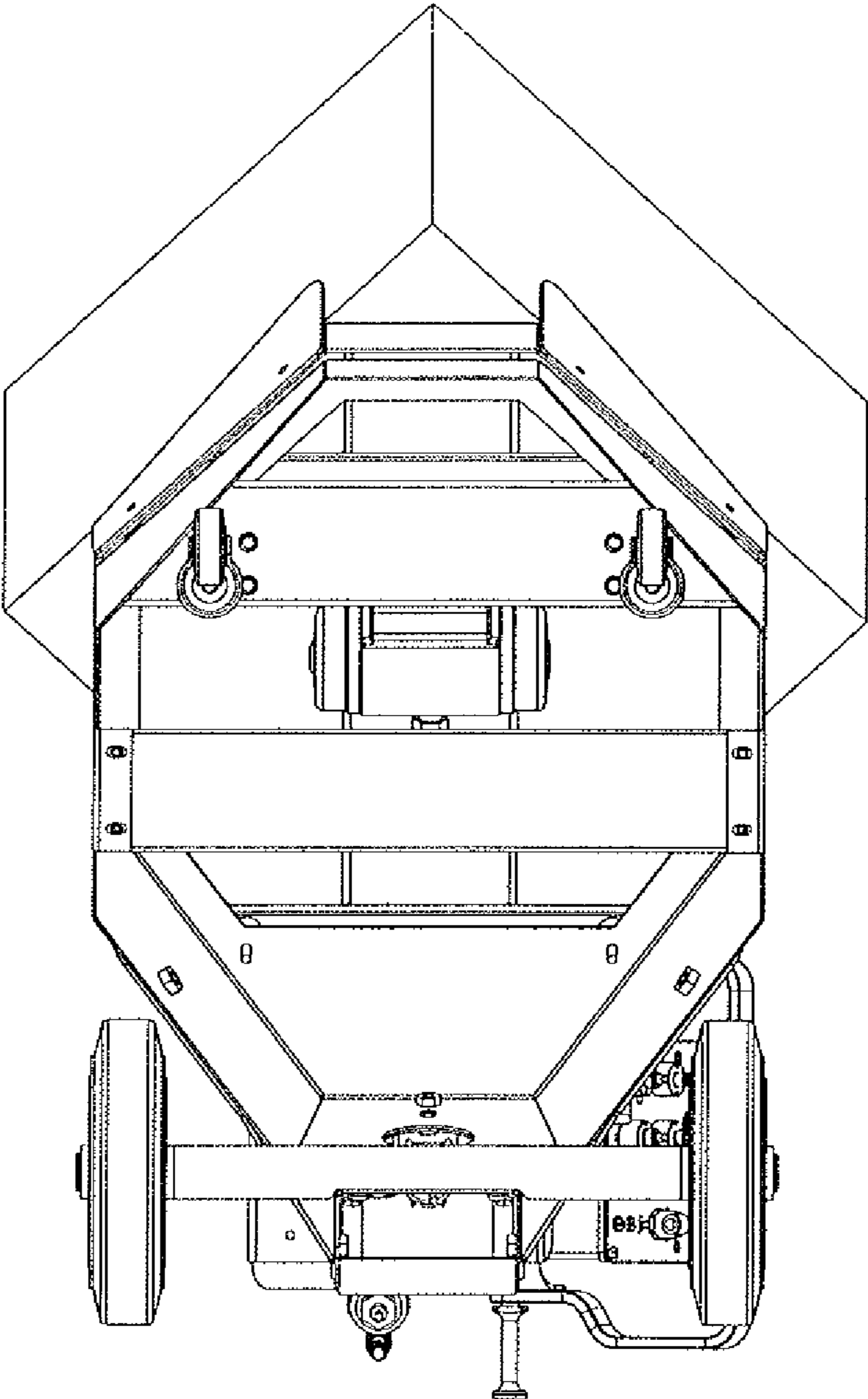
**FIGURE 10**



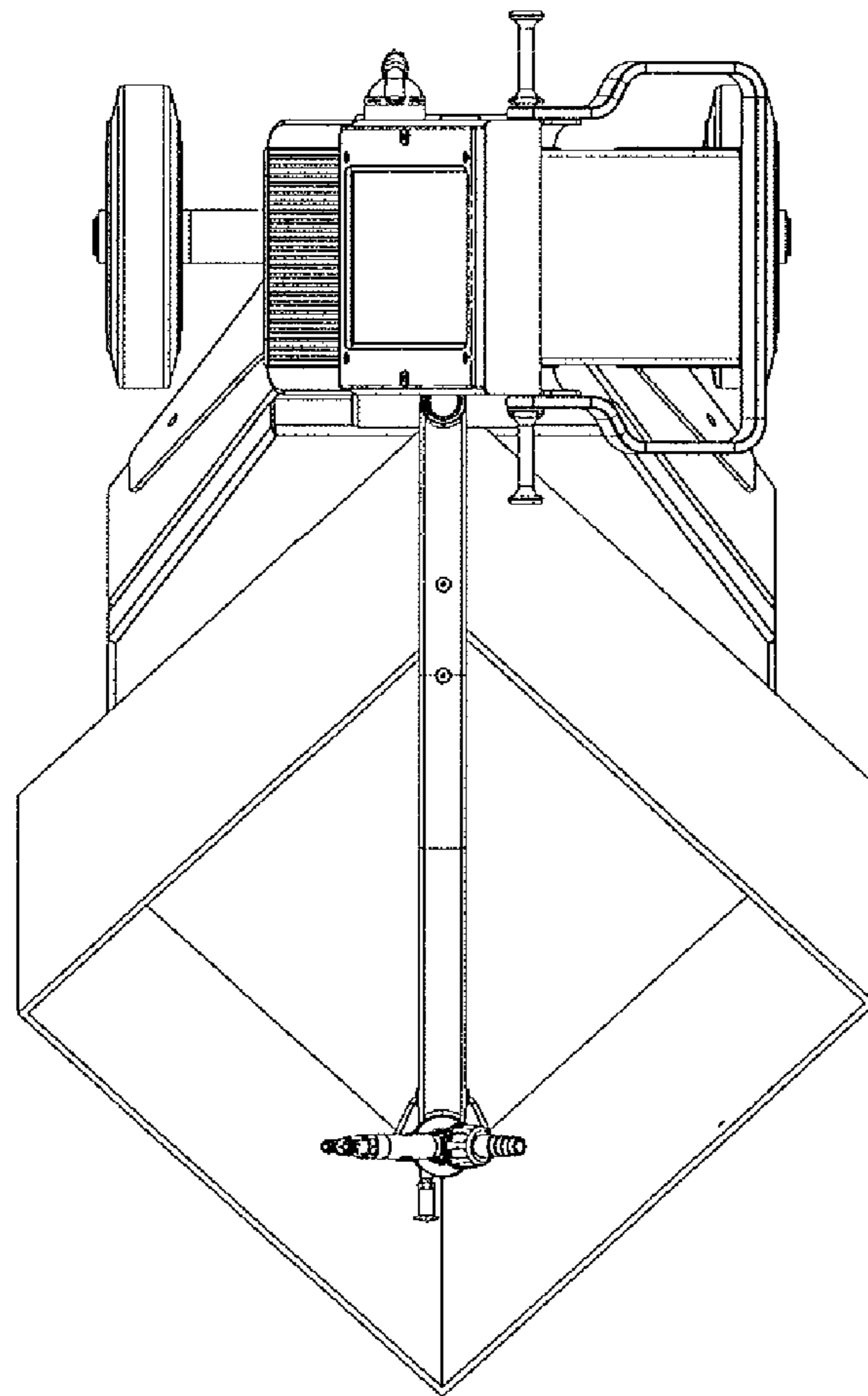
**FIGURE 11**



**FIGURE 12**



**FIGURE 13**



**FIGURE 14**



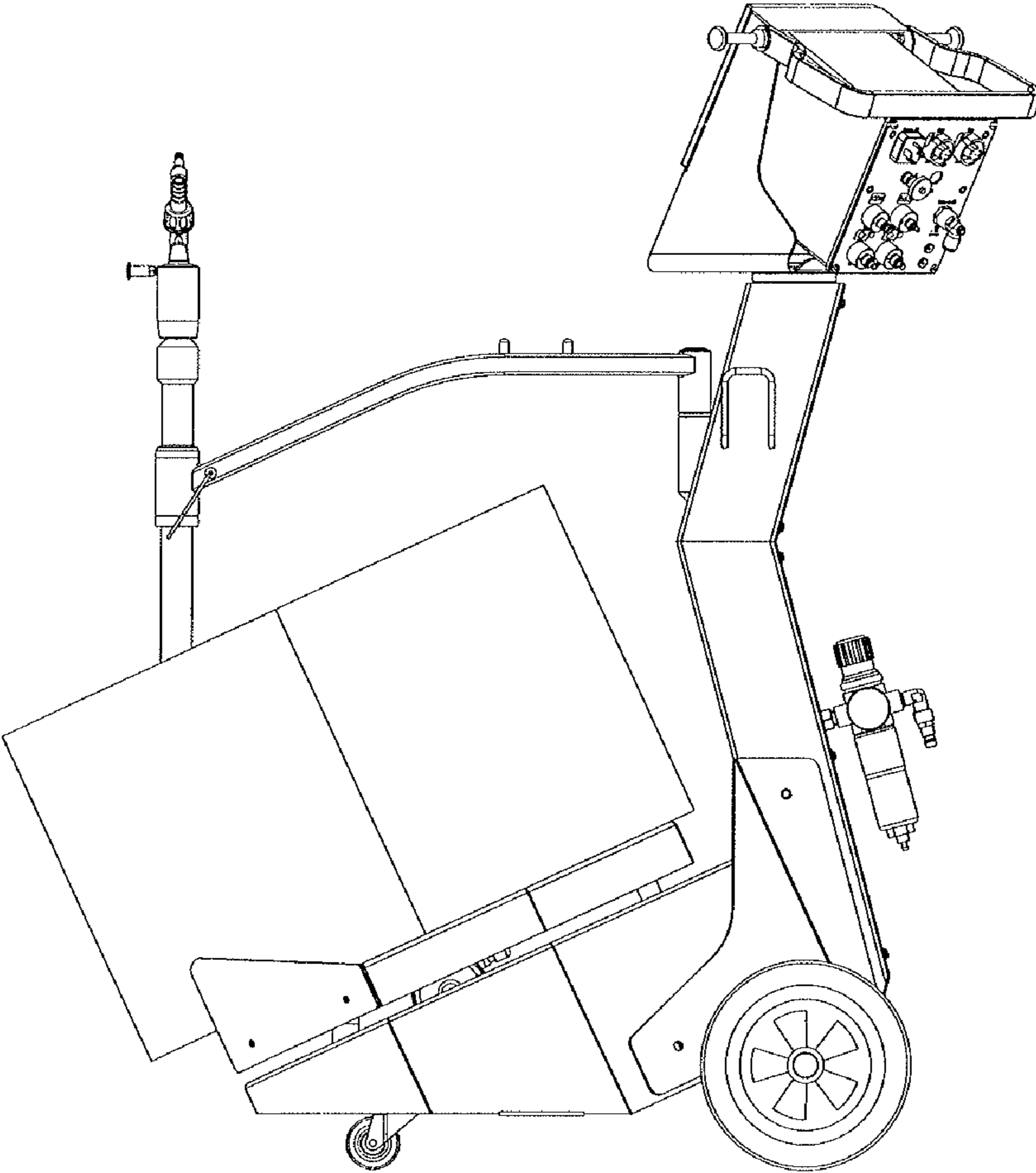
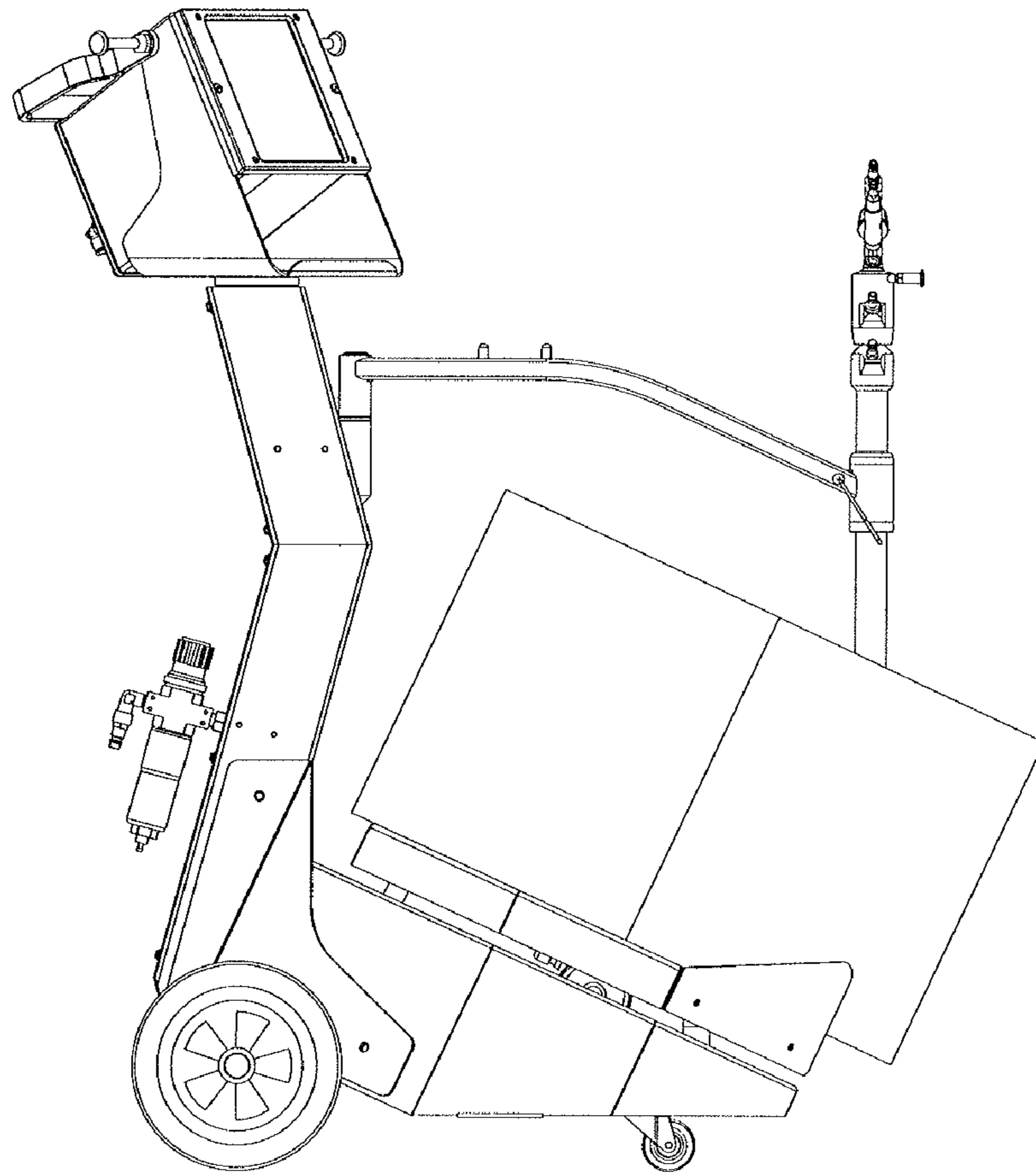


FIGURE 15



**FIGURE 16**

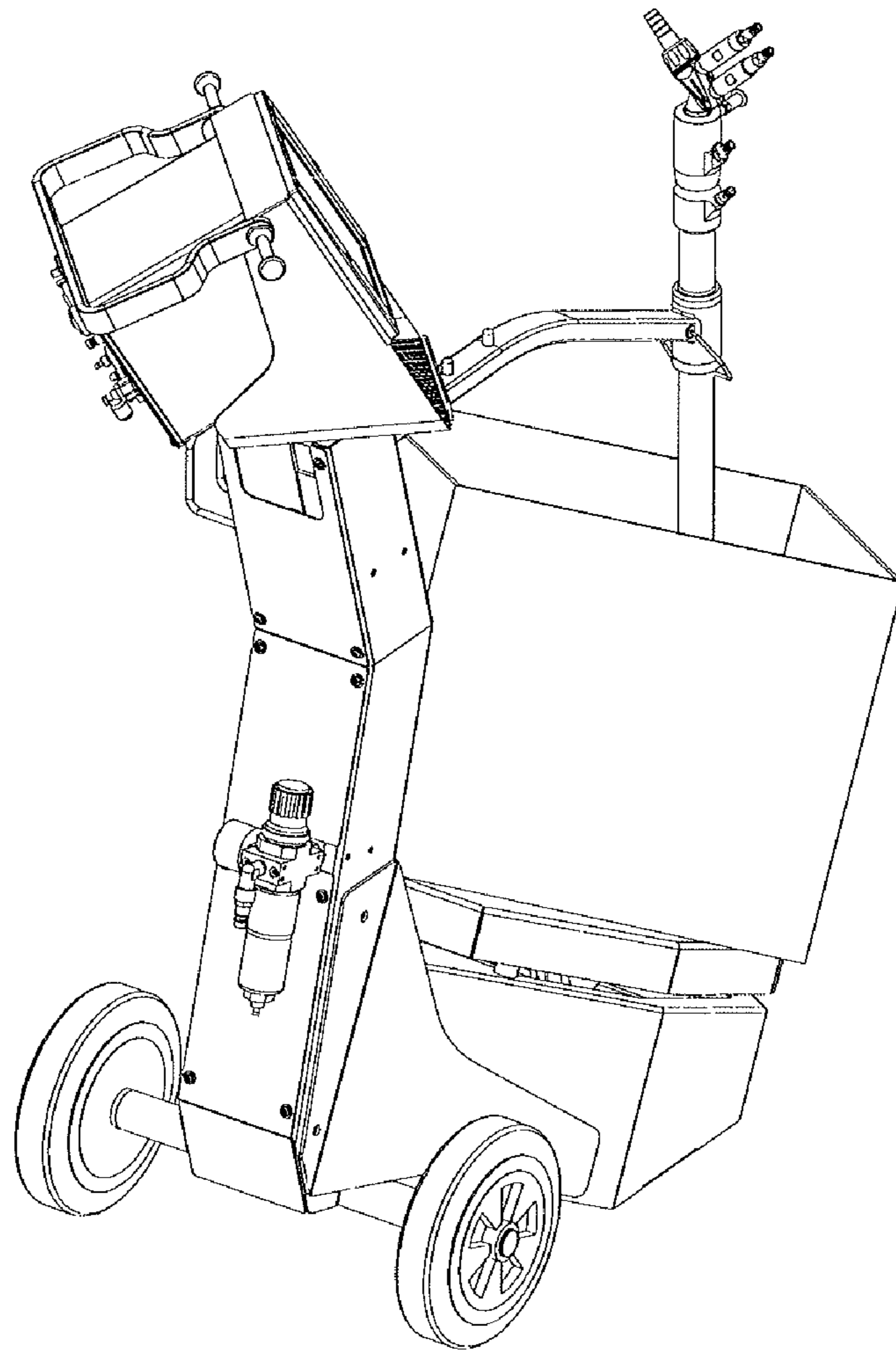


FIGURE 17

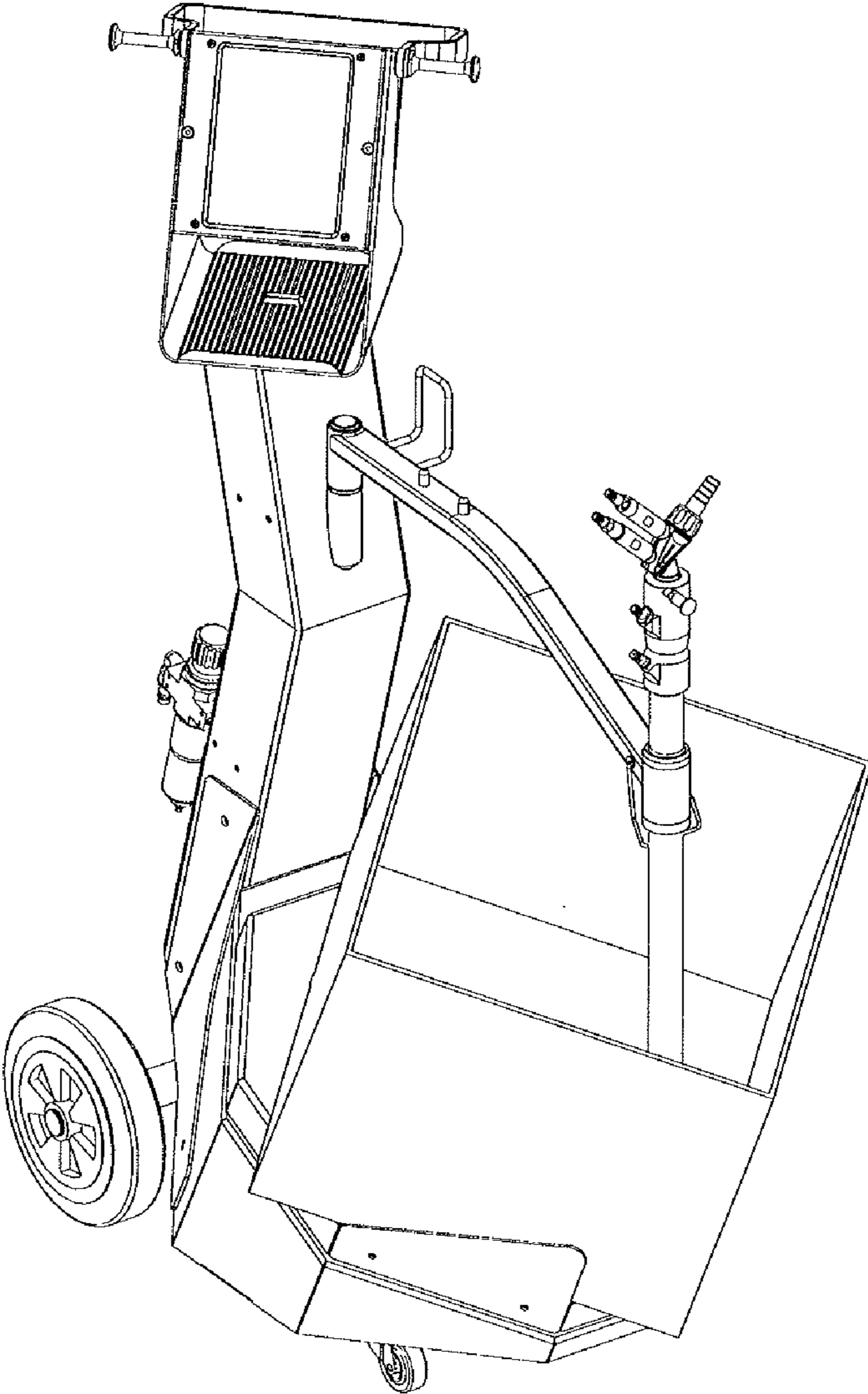
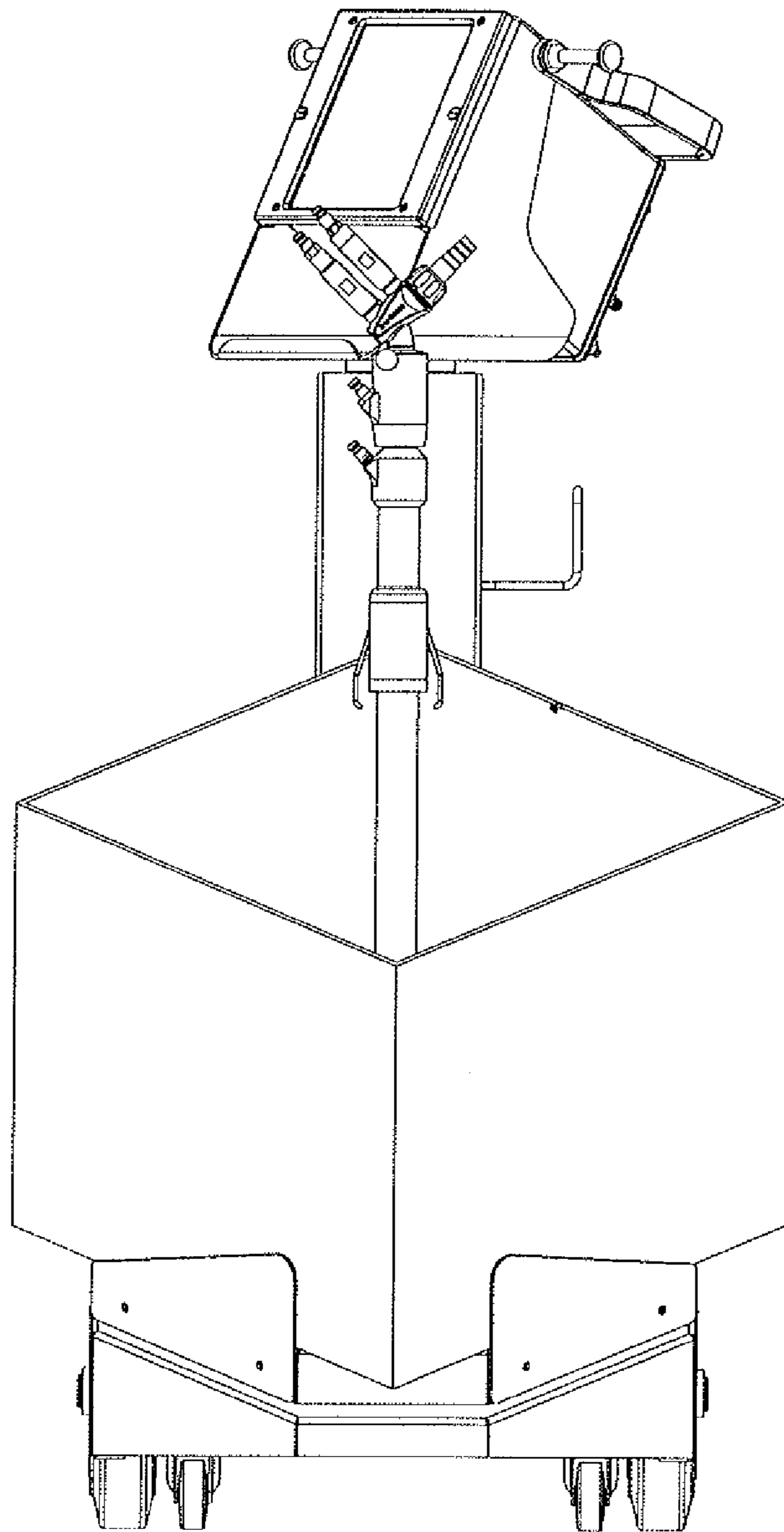
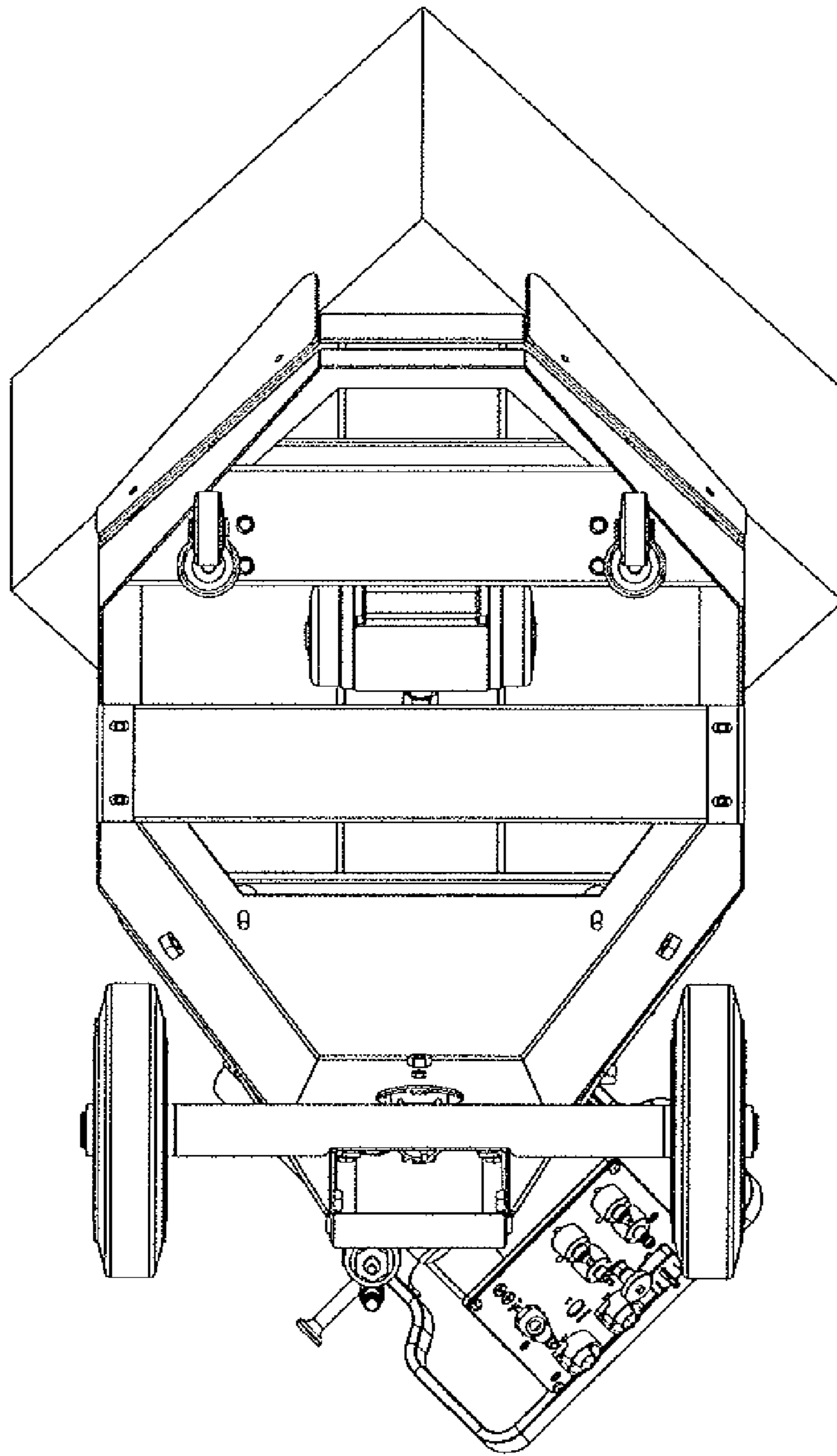


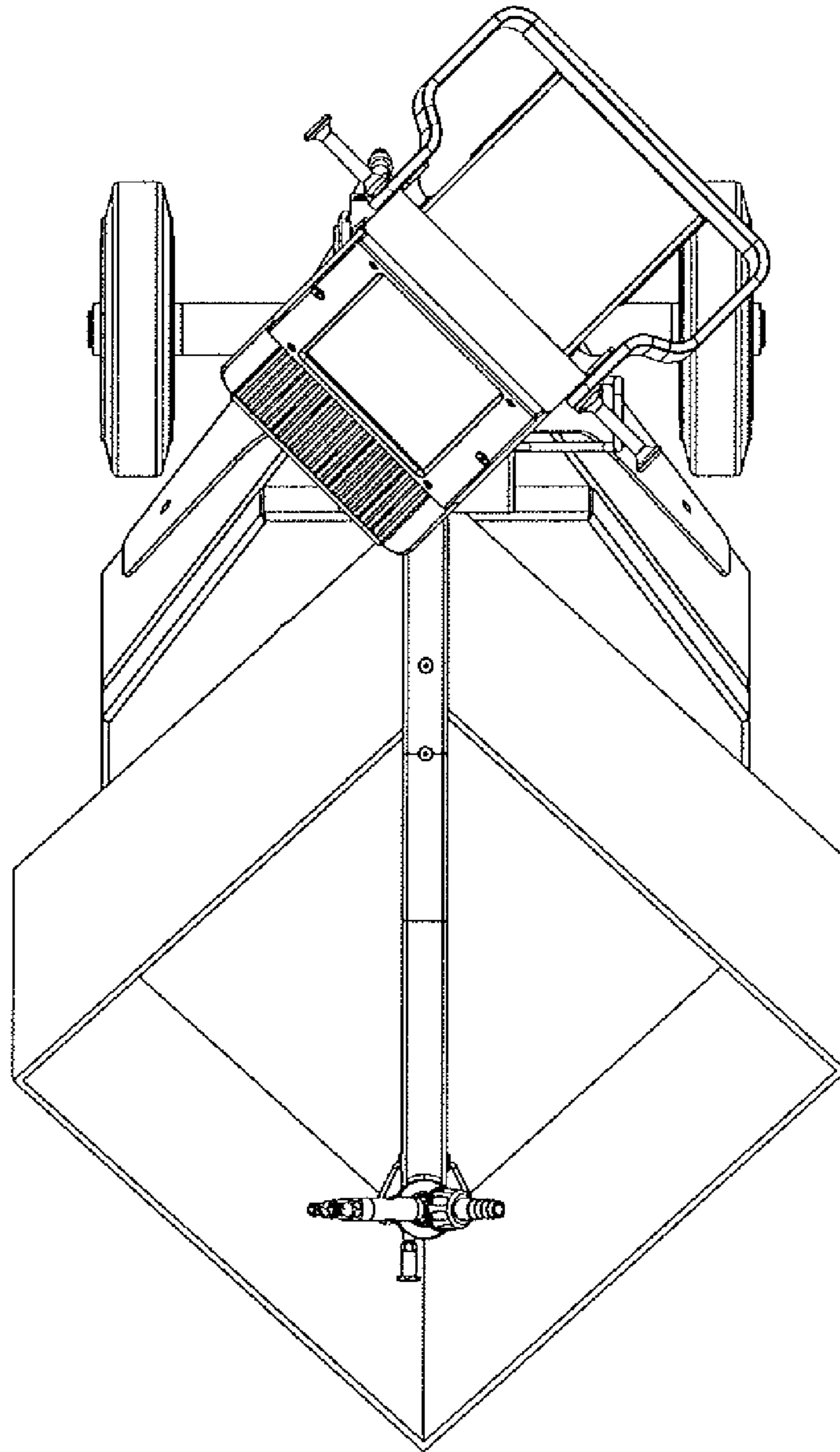
FIGURE 18



**FIGURE 19**



**FIGURE 20**



**FIGURE 21**

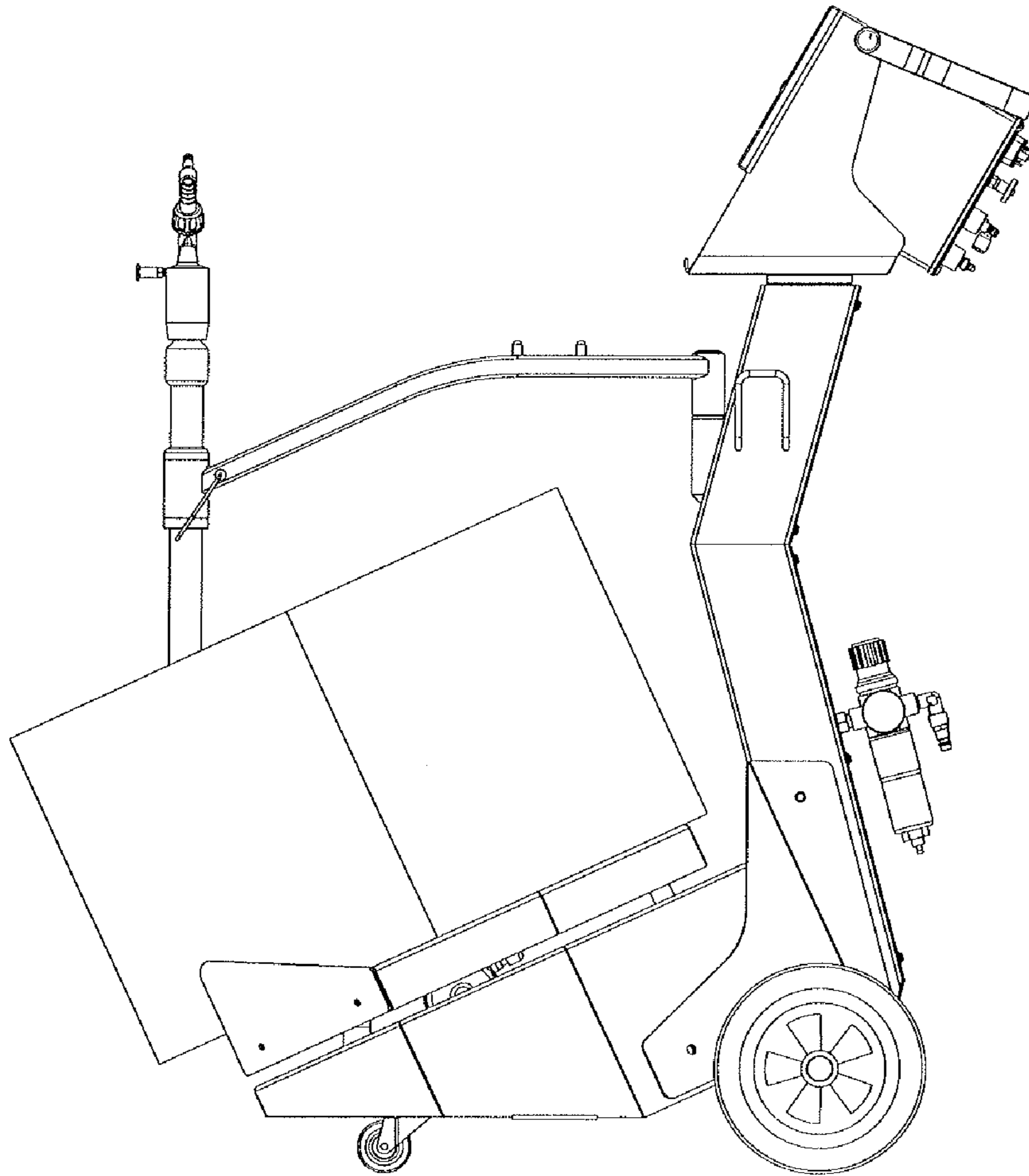


FIGURE 22



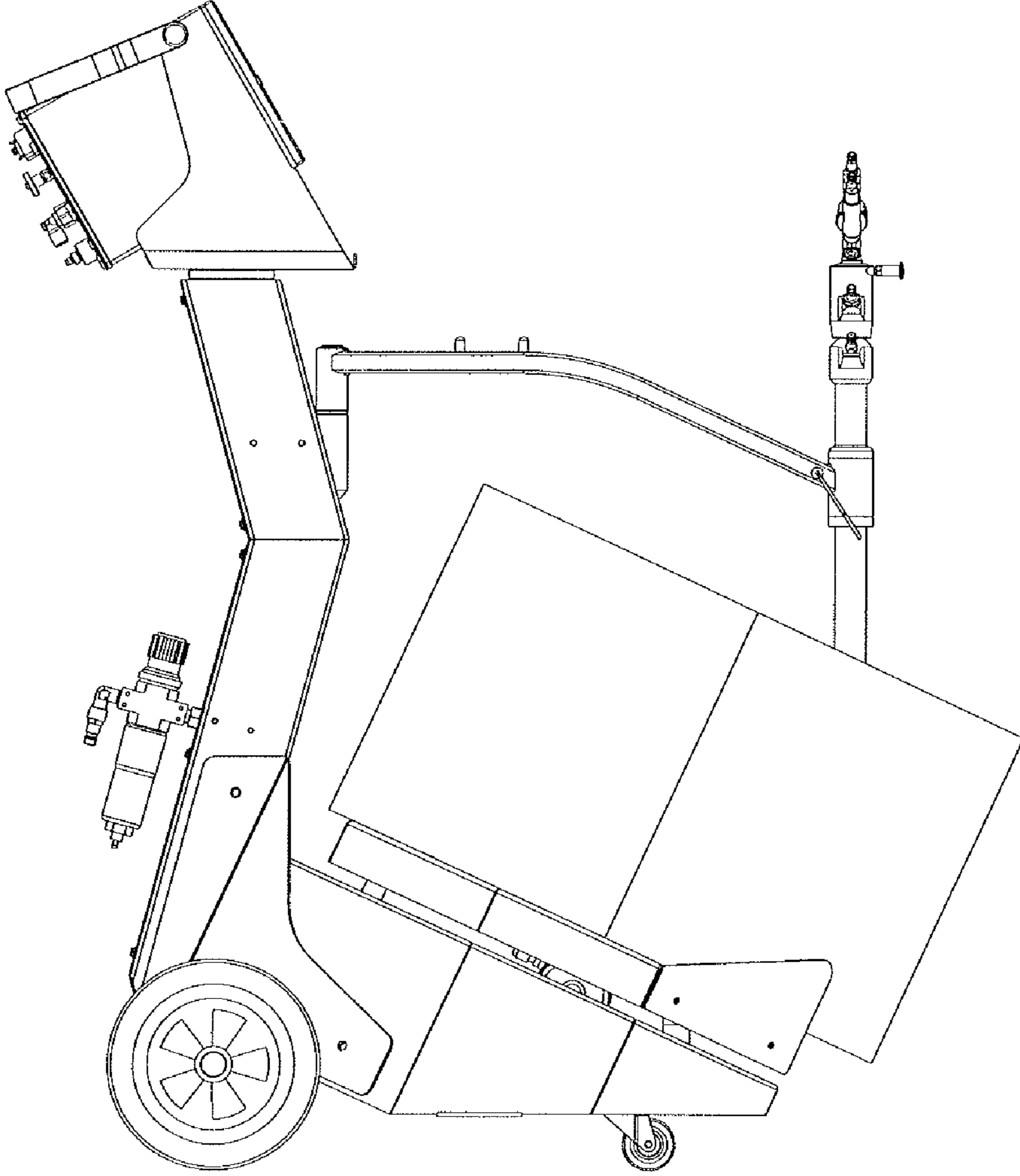
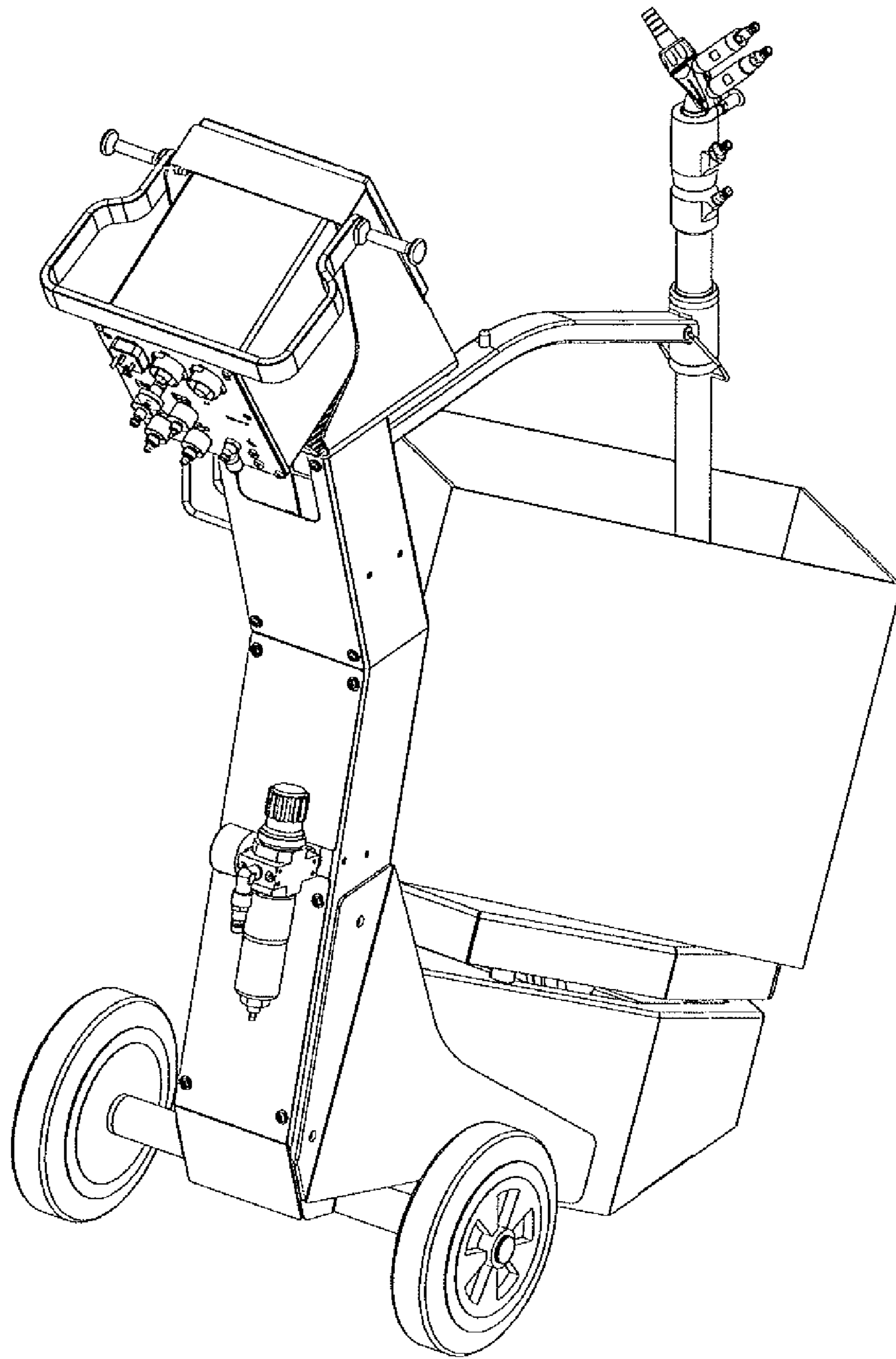
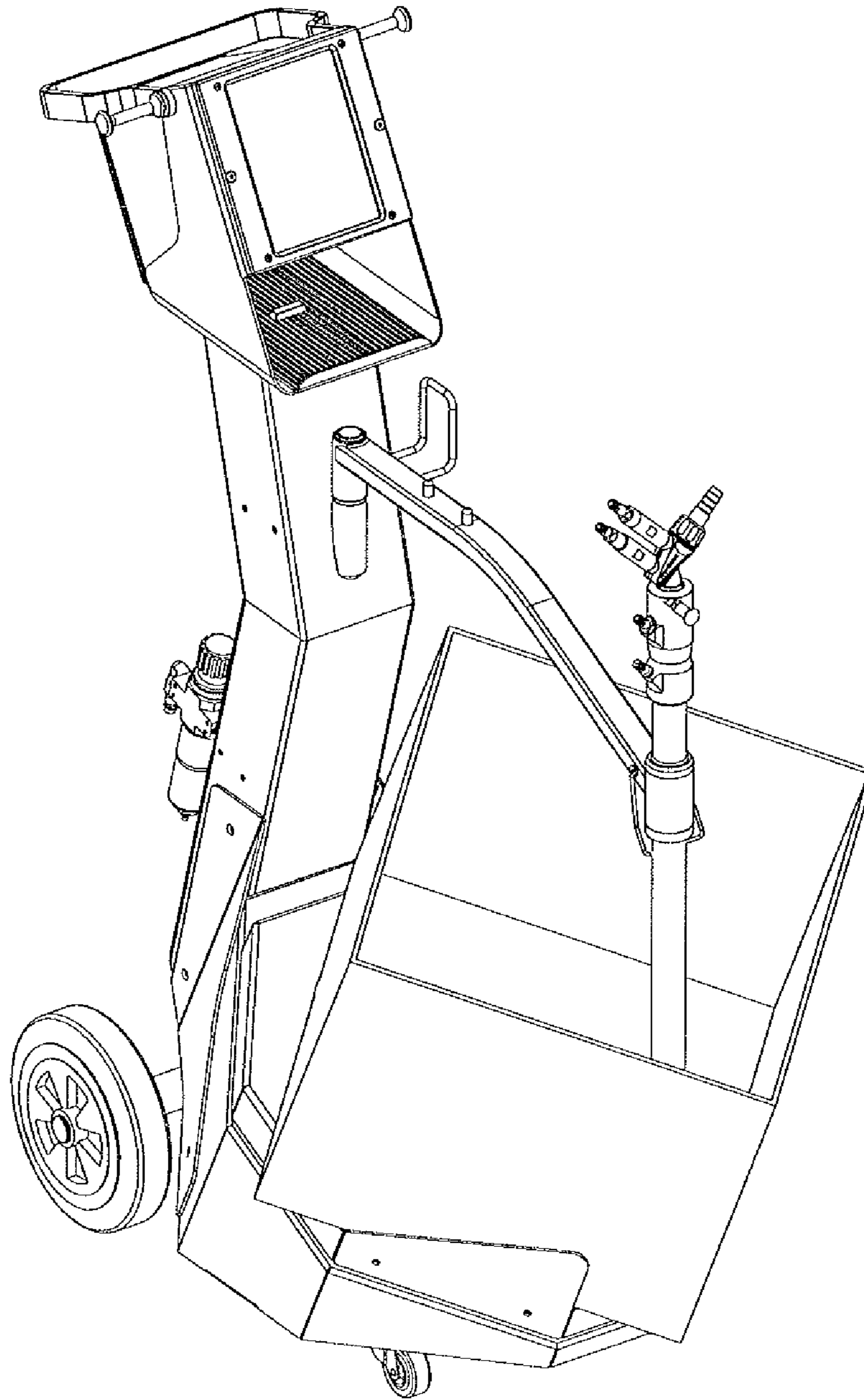


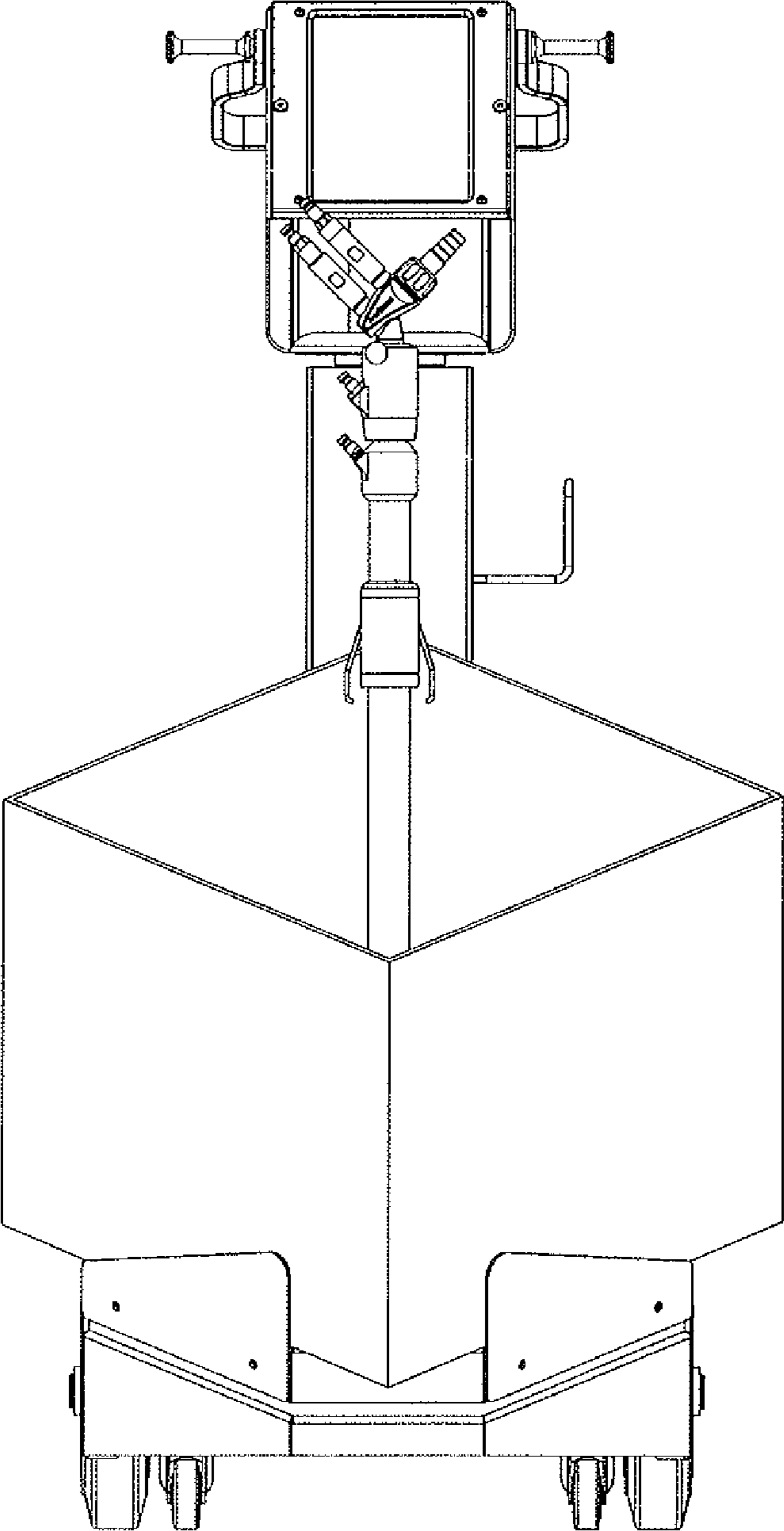
FIGURE 23



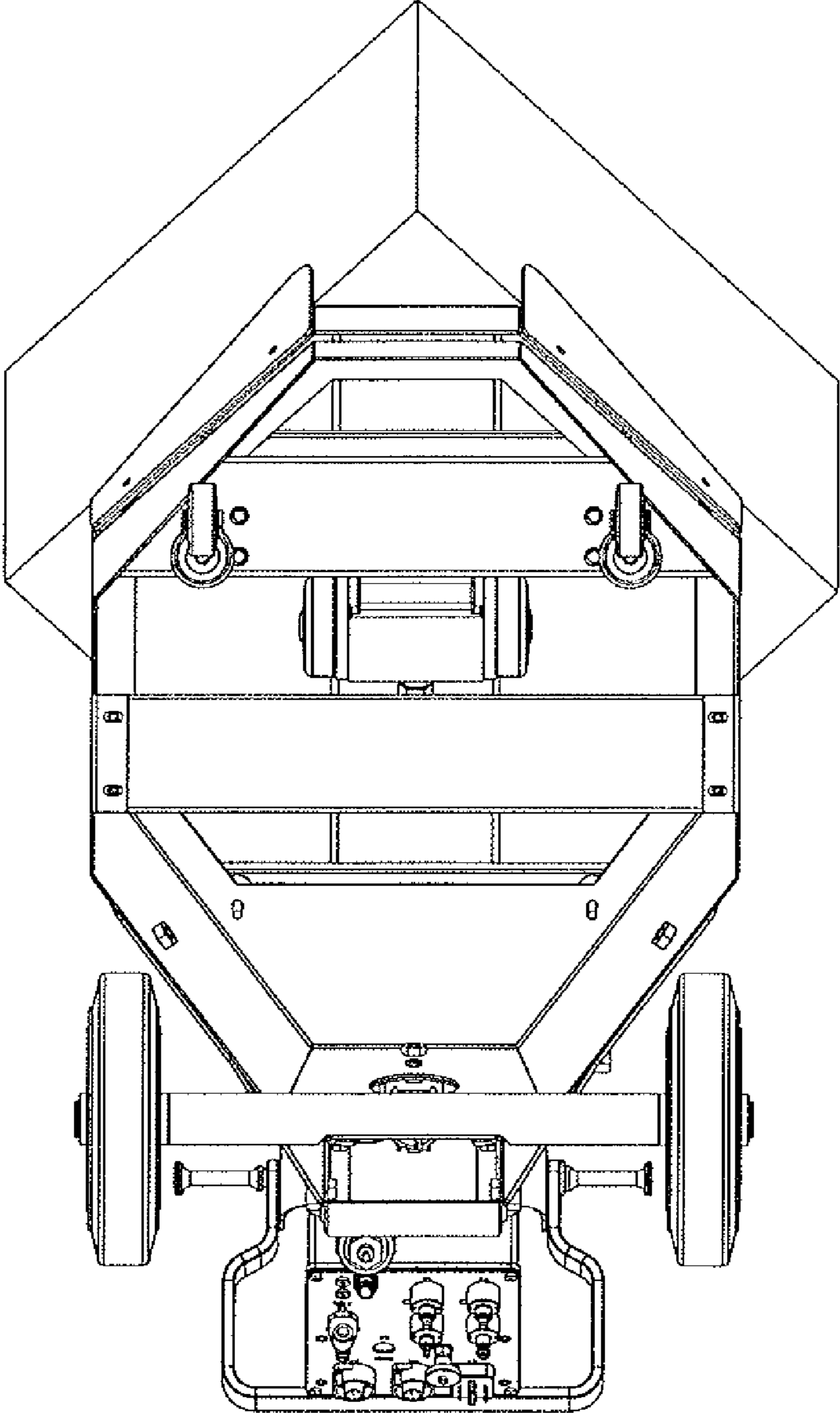
**FIGURE 24**



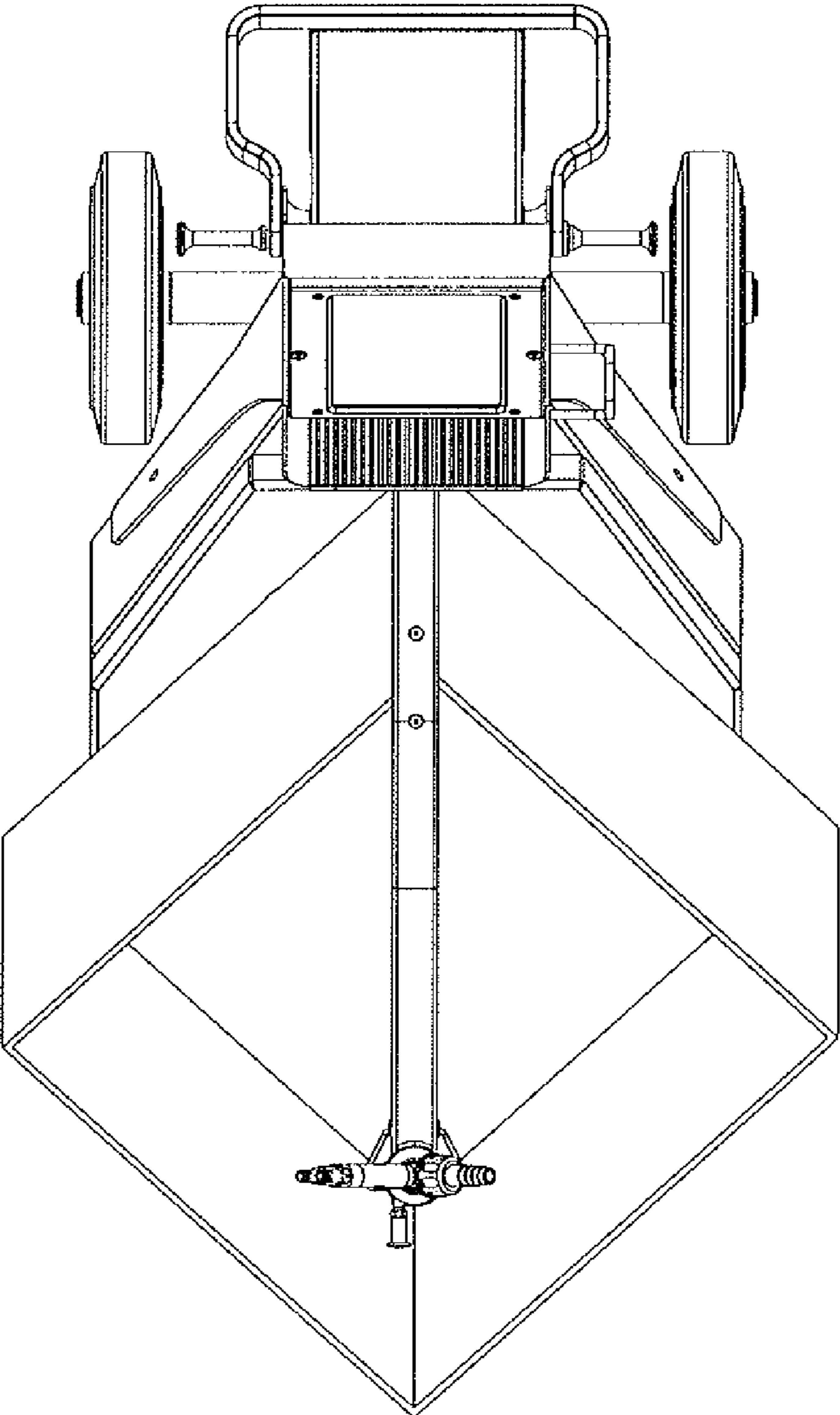
**FIGURE 25**



**FIGURE 26**



**FIGURE 27**



**FIGURE 28**