

US00D674570S

(12) **United States Design Patent**
Neuhaus

(10) **Patent No.:** **US D674,570 S**

(45) **Date of Patent:** **** Jan. 15, 2013**

(54) **REFUSE CONTAINER**

(75) Inventor: **Egbert Neuhaus**, Arnsberg (DE)

(73) Assignee: **Westermann KG**, Arnsberg (DE)

(**) Term: **14 Years**

(21) Appl. No.: **29/416,873**

(22) Filed: **Mar. 28, 2012**

(30) **Foreign Application Priority Data**

Oct. 28, 2011 (EM) 001299820

(51) **LOC (9) Cl.** **09-09**

(52) **U.S. Cl.** **D34/1**

(58) **Field of Classification Search** D34/1,
D34/4, 5, 6, 7, 8, 9, 10, 11; D21/781, 782;
D22/146; D23/204; 220/908-911, 422,
220/628, 495.06

See application file for complete search history.

(56) **References Cited**

U.S. PATENT DOCUMENTS

D206,965 S * 2/1967 Coffman D34/5

D306,406 S * 3/1990 Pierce et al. D7/300

D340,367 S * 10/1993 Mansson D6/404

5,470,747 A * 11/1995 Sikorski 435/290.1

D528,257 S * 9/2006 Leclerc et al. D34/1

D572,535 S * 7/2008 El-Ghouyel et al. D7/538

D602,311 S * 10/2009 Finell D7/629

D661,540 S * 6/2012 Facey D7/354

* cited by examiner

Primary Examiner — Cynthia Ramirez

(74) *Attorney, Agent, or Firm* — Collard & Roe, P.C.

(57) **CLAIM**

The ornamental design for a refuse container, as shown and described.

DESCRIPTION

FIG. 1 is a front view of a refuse container, showing my new design;

FIG. 2 is a left side view thereof;

FIG. 3 is a rear view thereof;

FIG. 4 is a right side view thereof;

FIG. 5 is a top view thereof;

FIG. 6 is a bottom view thereof; and,

FIG. 7 is a top, front and left side perspective view thereof.

1 Claim, 4 Drawing Sheets

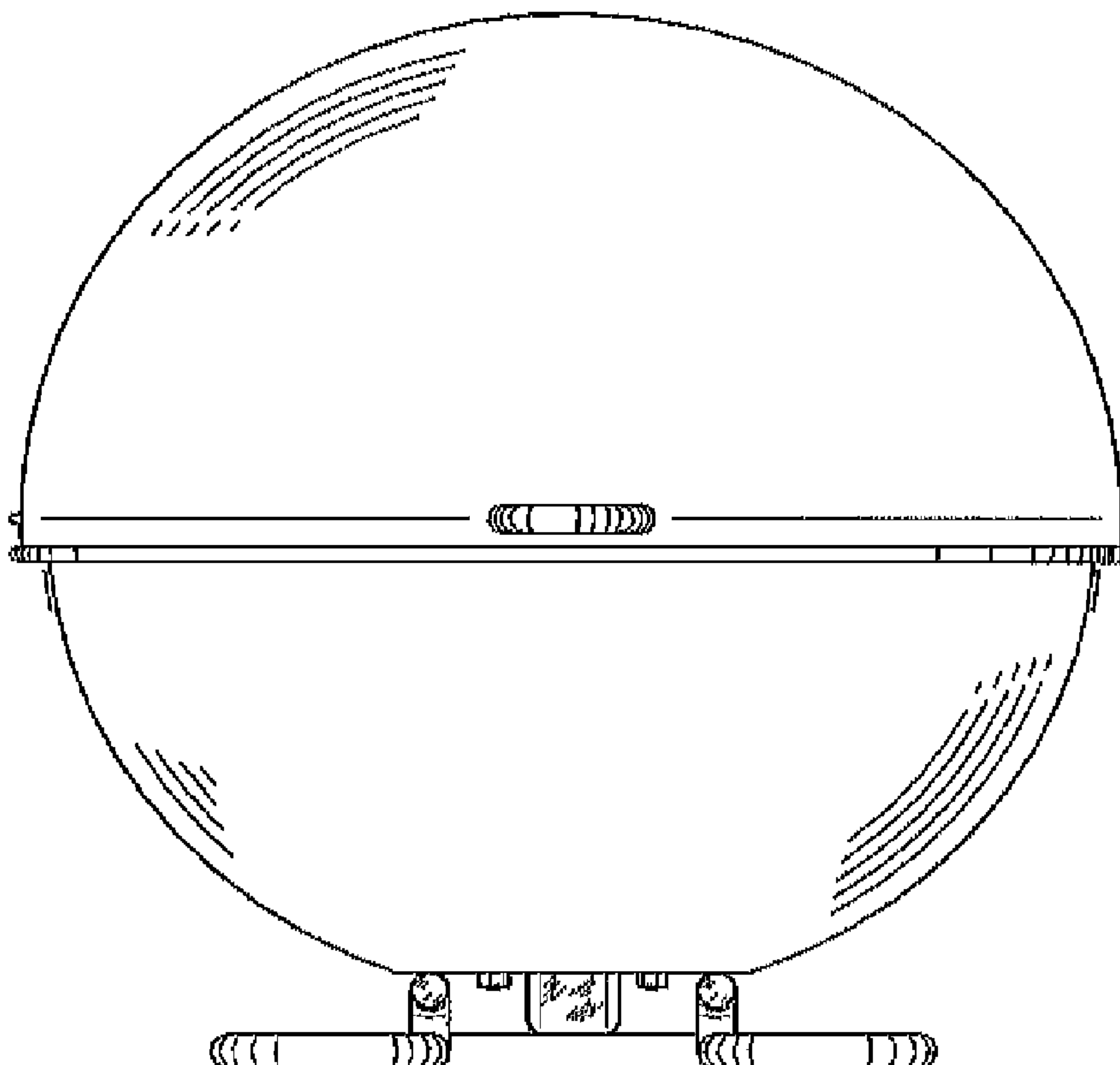


Fig. 1

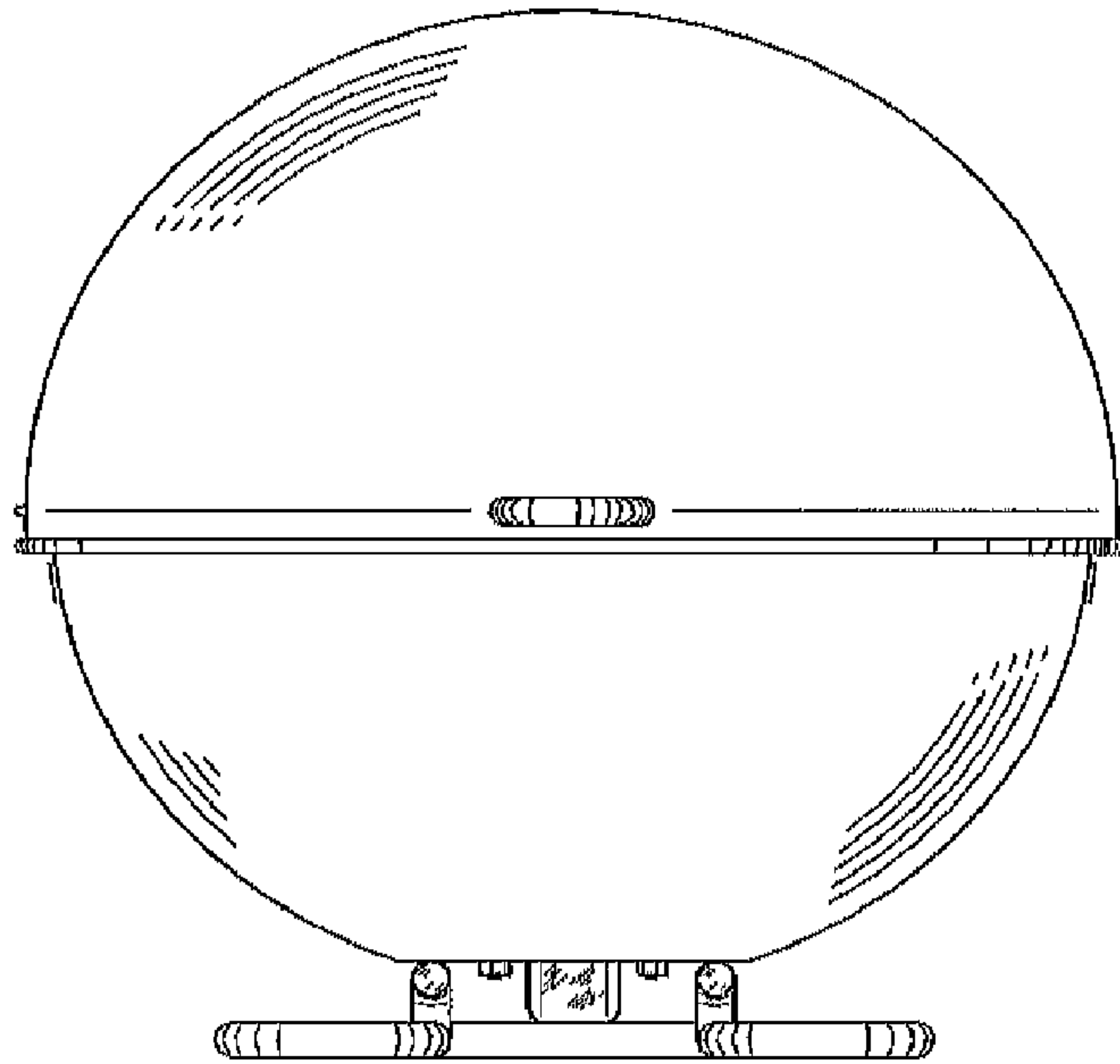


Fig. 2

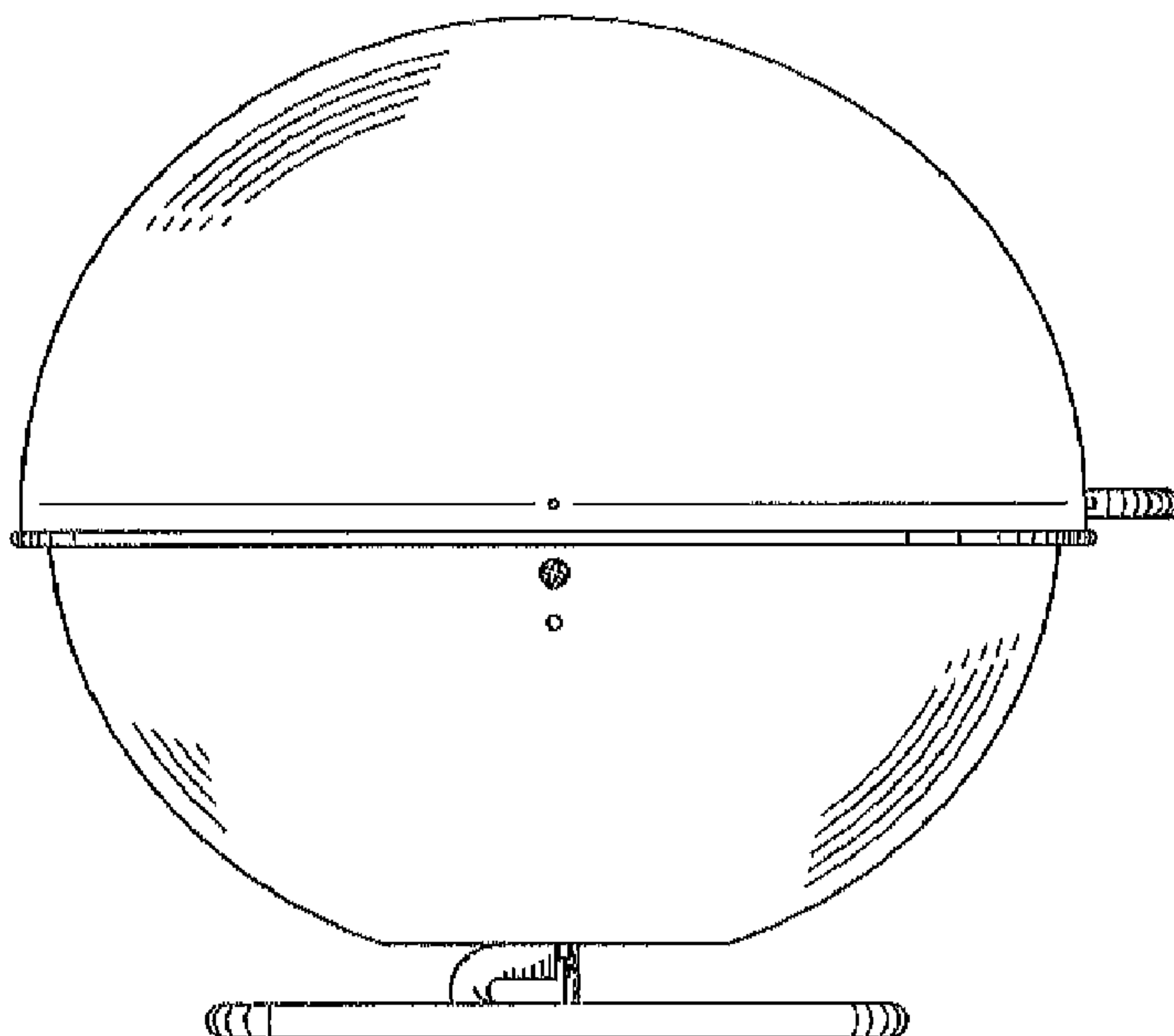


Fig. 3

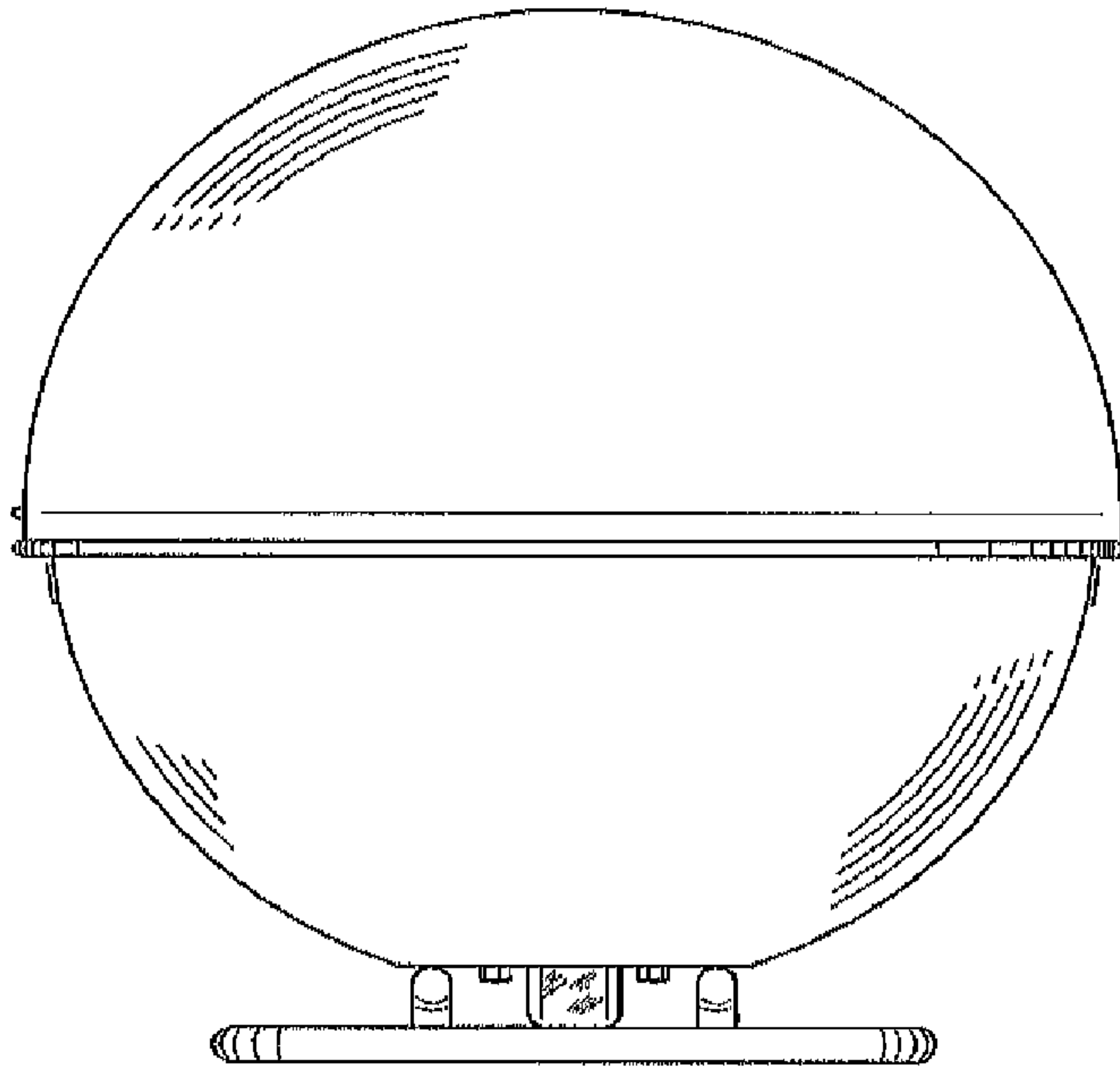


Fig. 4

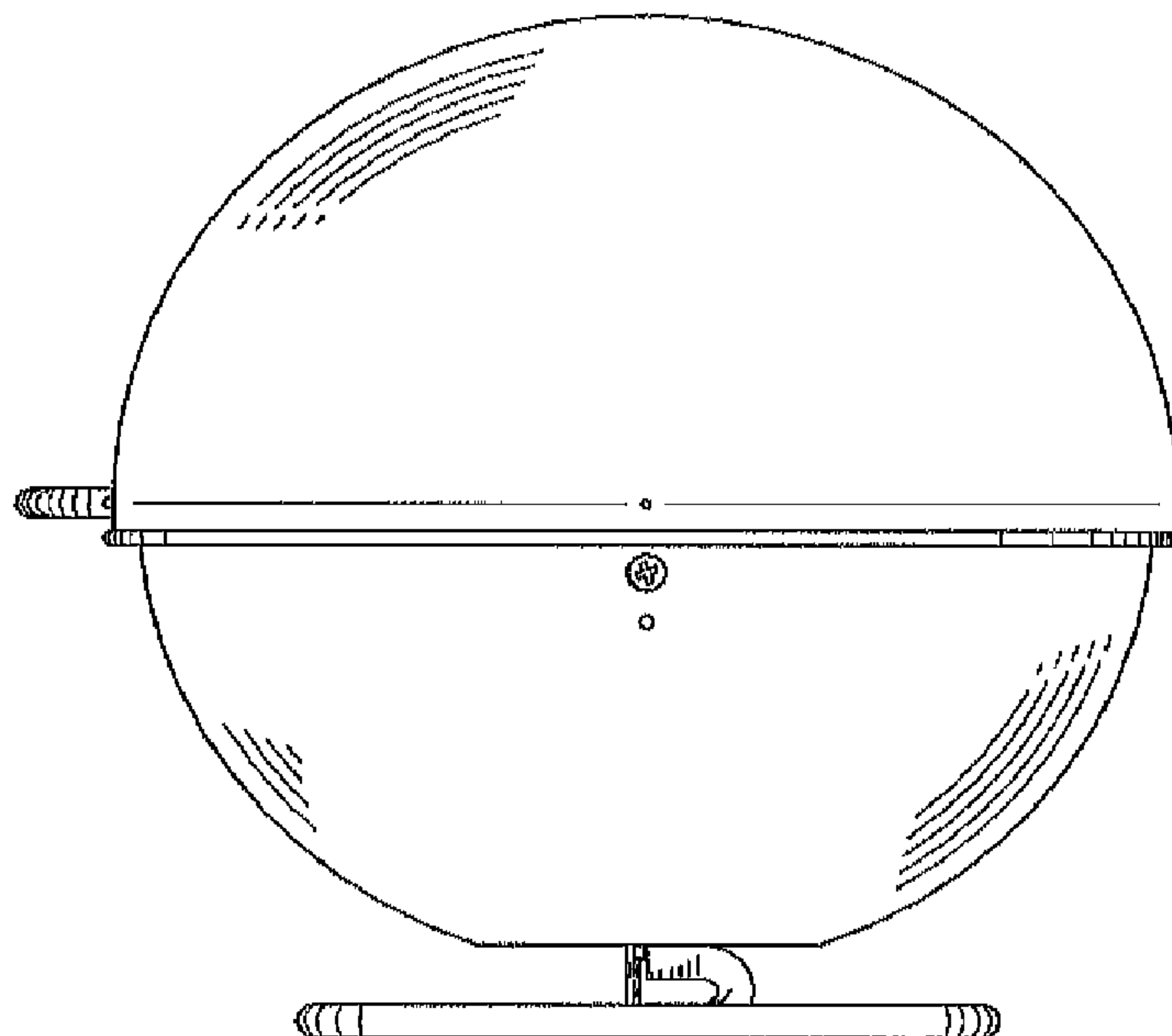


Fig. 5

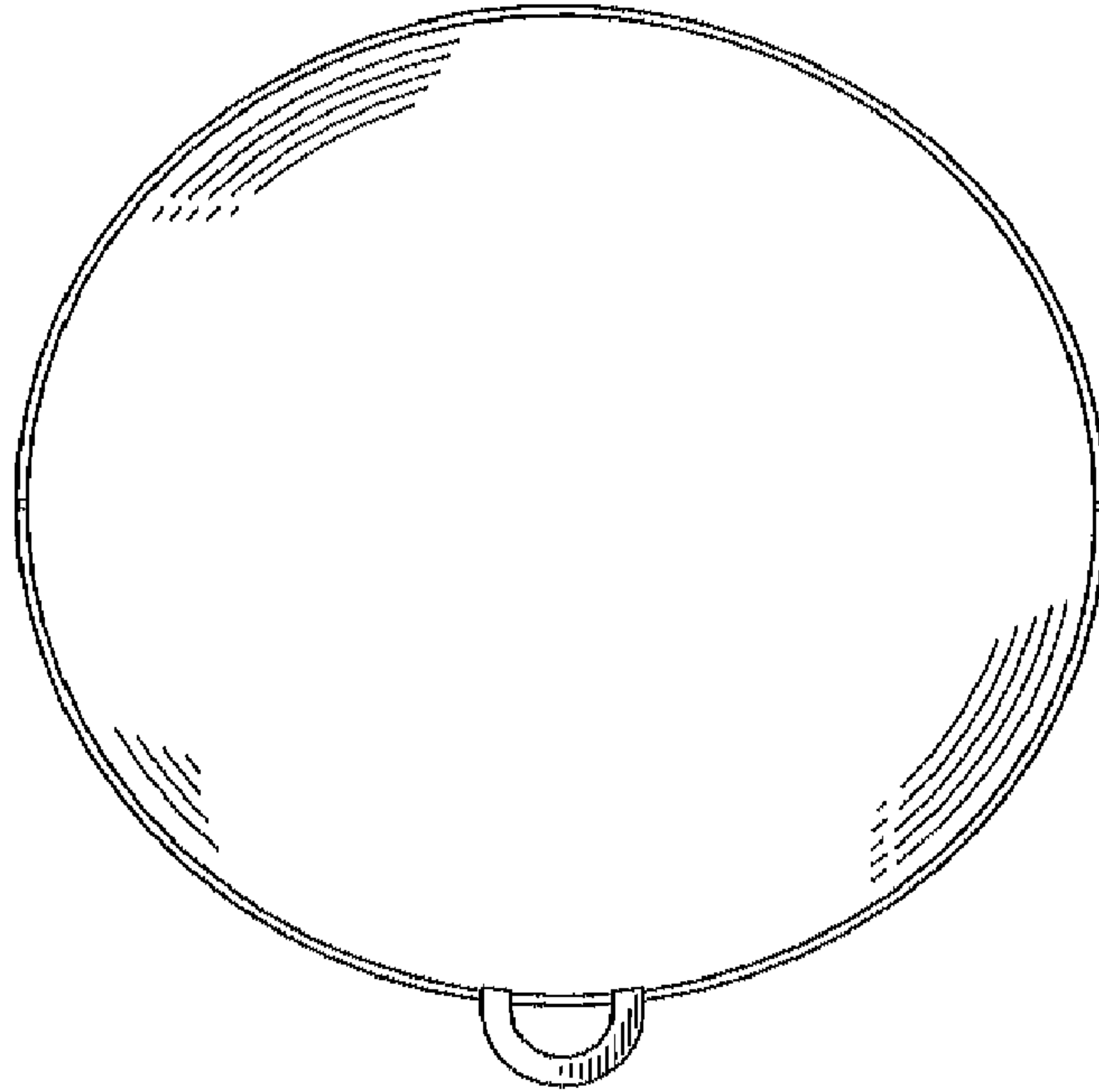


Fig. 6

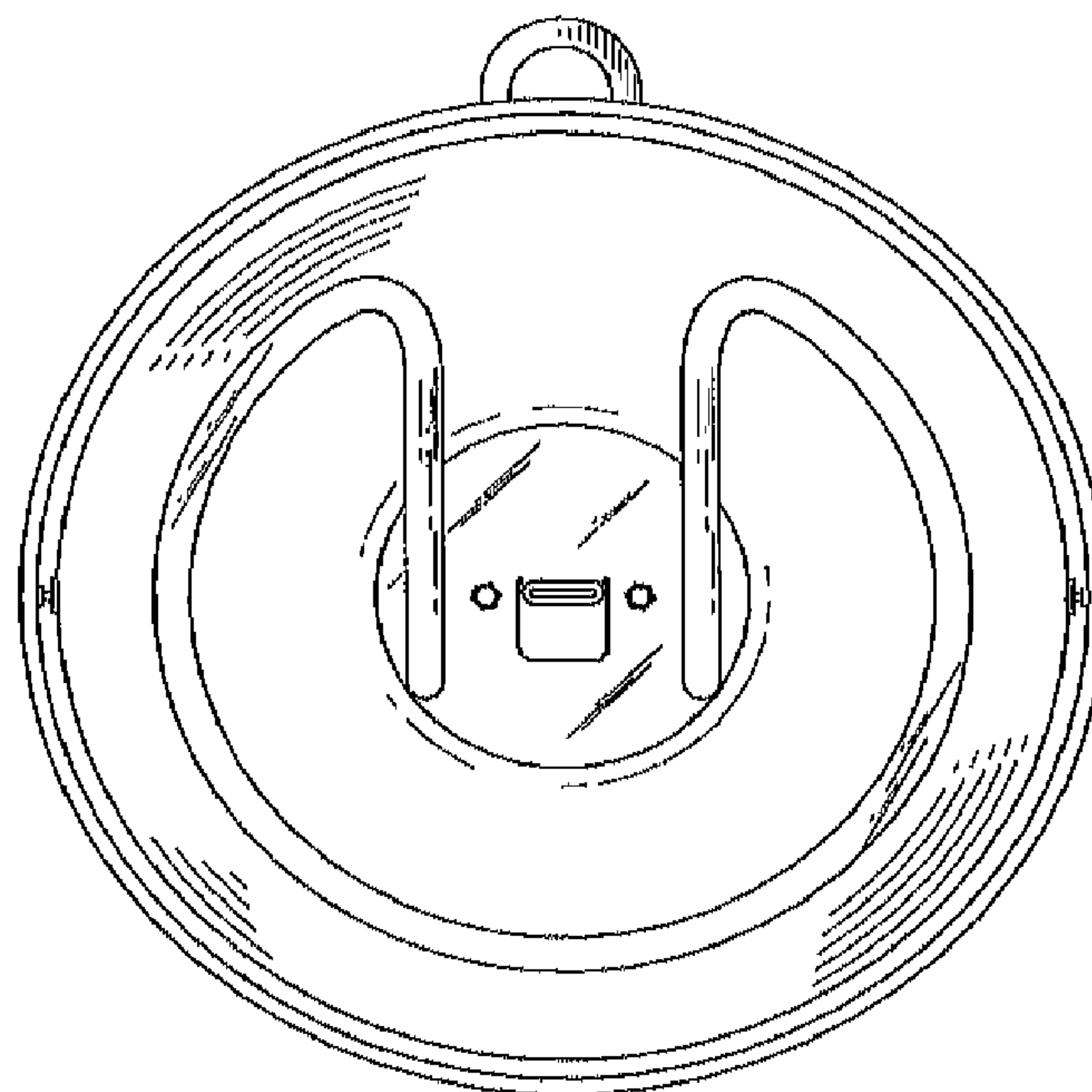


Fig. 7

