



US00D674569S

(12) **United States Design Patent**  
**Schelling**

(10) **Patent No.:** **US D674,569 S**

(45) **Date of Patent:** **\*\* \*Jan. 15, 2013**

(54) **CRUMB TRAY**

(76) Inventor: **Julie Rose Schelling**, Wynnewood, PA  
(US)

(\* ) Notice: This patent is subject to a terminal disclaimer.

(\*\*) Term: **14 Years**

(21) Appl. No.: **29/415,883**

(22) Filed: **Mar. 15, 2012**

(51) **LOC (9) Cl.** ..... **07-05**

(52) **U.S. Cl.** ..... **D32/74**

(58) **Field of Classification Search** ..... D32/74,  
D32/41; D30/162; D7/691, 688; D4/116;  
15/257.5, 257.3, 257.2, 257.1; 134/6  
See application file for complete search history.

(56) **References Cited**

**U.S. PATENT DOCUMENTS**

|           |      |         |          |          |
|-----------|------|---------|----------|----------|
| 735,360   | A *  | 8/1903  | Furrow   | 15/257.5 |
| D42,974   | S *  | 9/1912  | Nelson   | D32/74   |
| 2,651,924 | A *  | 9/1953  | Lawrence | 15/257.1 |
| D426,353  | S *  | 6/2000  | Renforth | D30/162  |
| 6,733,056 | B2 * | 5/2004  | Daniele  | 294/212  |
| D602,214  | S *  | 10/2009 | Petersen | D30/162  |
| D602,657  | S *  | 10/2009 | Petersen | D30/162  |
| D643,985  | S *  | 8/2011  | Dedrick  | D32/74   |

\* cited by examiner

*Primary Examiner* — Austin Murphy

(74) *Attorney, Agent, or Firm* — Muskin & Cusick LLC

(57) **CLAIM**

The ornamental design for a crumb tray, as shown and described.

**DESCRIPTION**

FIG. 1 is a top orthographic view from one side of a crumb tray;

FIG. 2 is a top orthographic view from an opposite side of the crumb tray;

FIG. 3 is a top view of the crumb tray;

FIG. 4 is a bottom view of the crumb tray;

FIG. 5 is a front view of the crumb tray;

FIG. 6 is a rear view of the crumb tray;

FIG. 7 is a right side view of the crumb tray;

FIG. 8 is a left side view of the crumb tray;

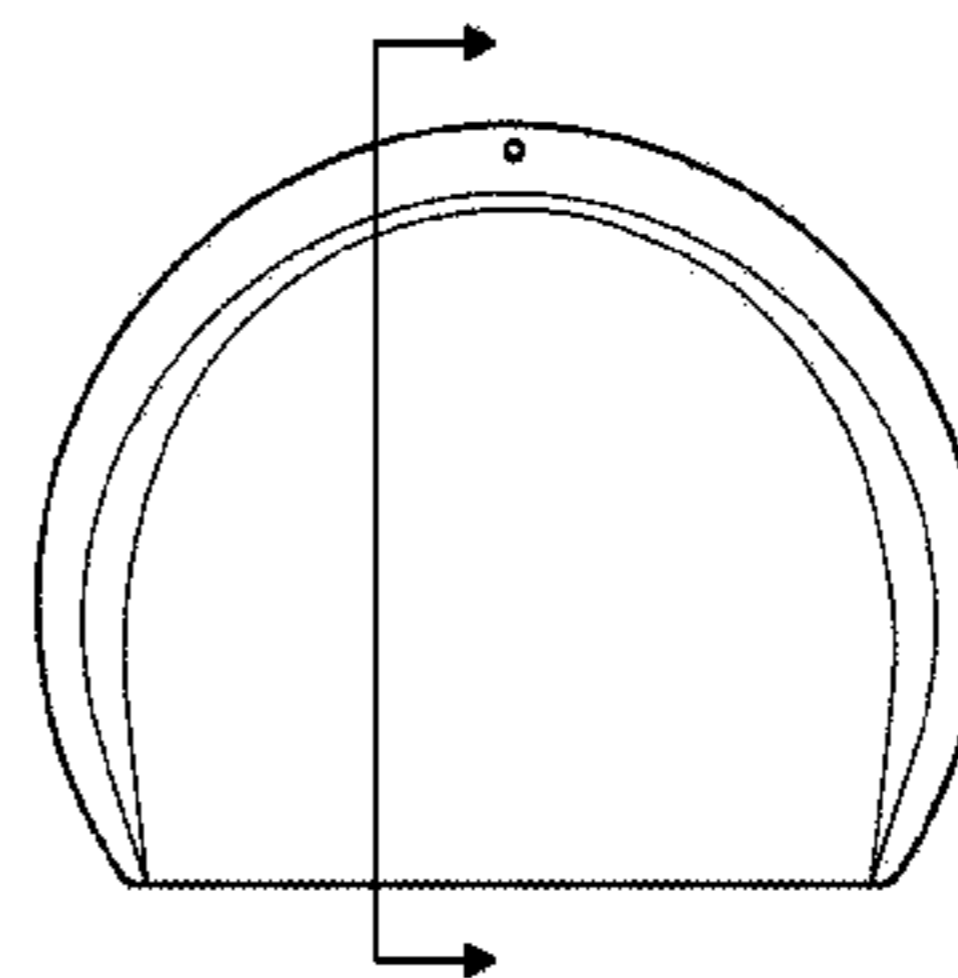
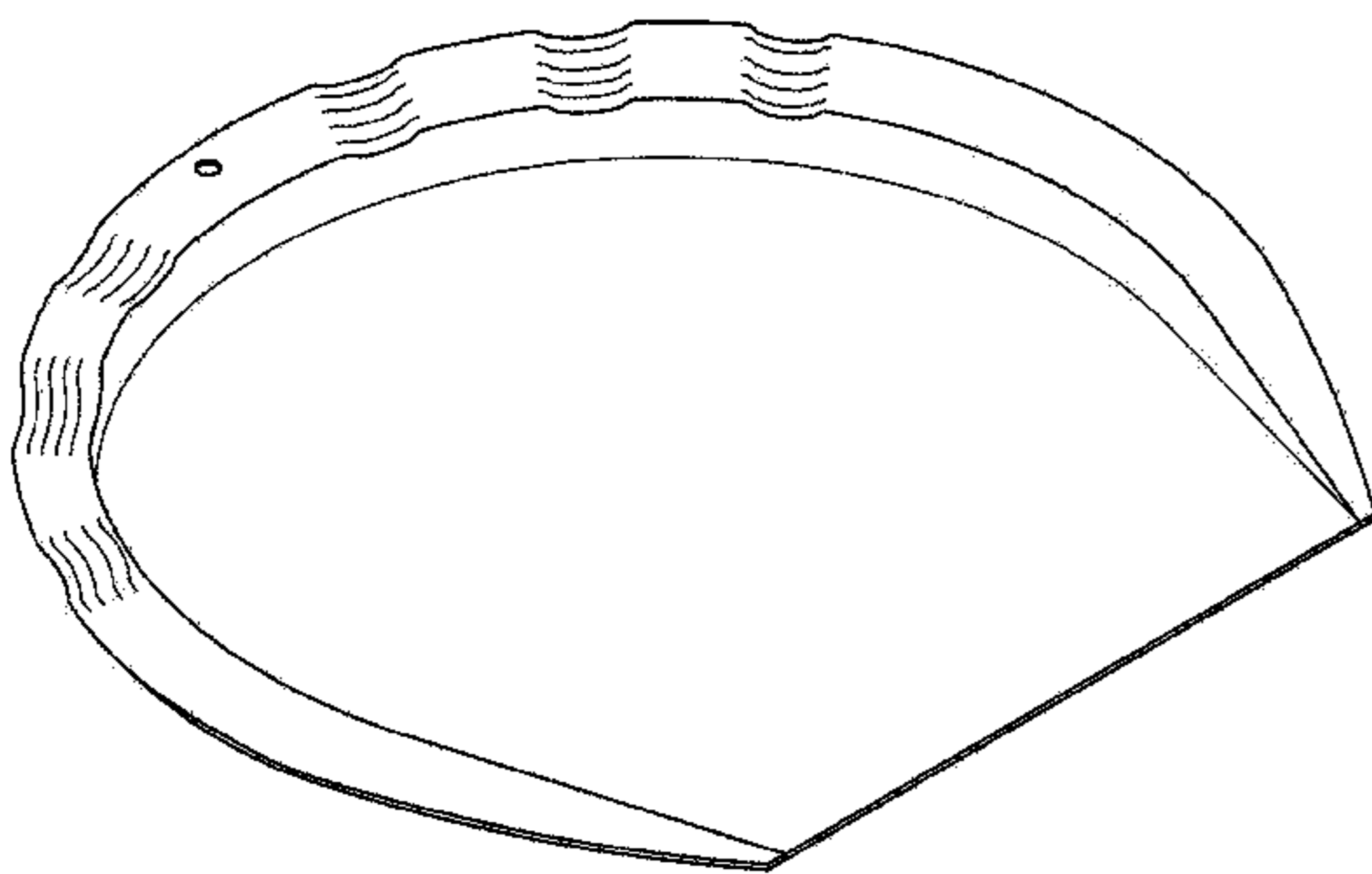
FIG. 9 is a cross sectional view of the crumb tray drawn at the cross section shown;

FIG. 10 is a bottom orthographic view from one side of the crumb tray; and,

FIG. 11 is a bottom orthographic view from an opposite side of the crumb tray.

The lines and curves on the article are provided only to indicate the contour and curvature of the surfaces. They do not indicate color, texture, or markings that actually exist thereon. The entire article depicted in the figures is a surface with a uniform color.

**1 Claim, 7 Drawing Sheets**



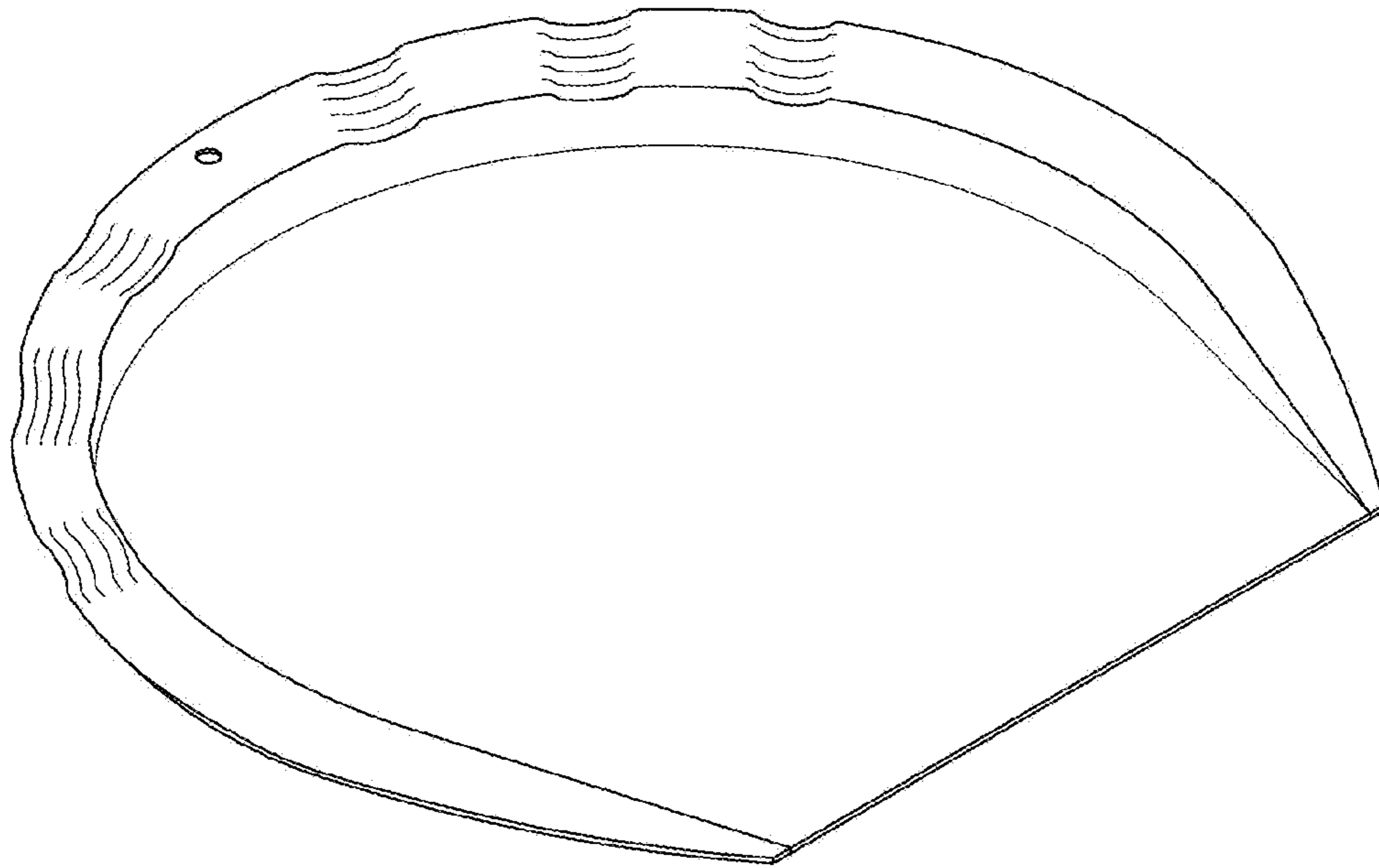


FIG. 1

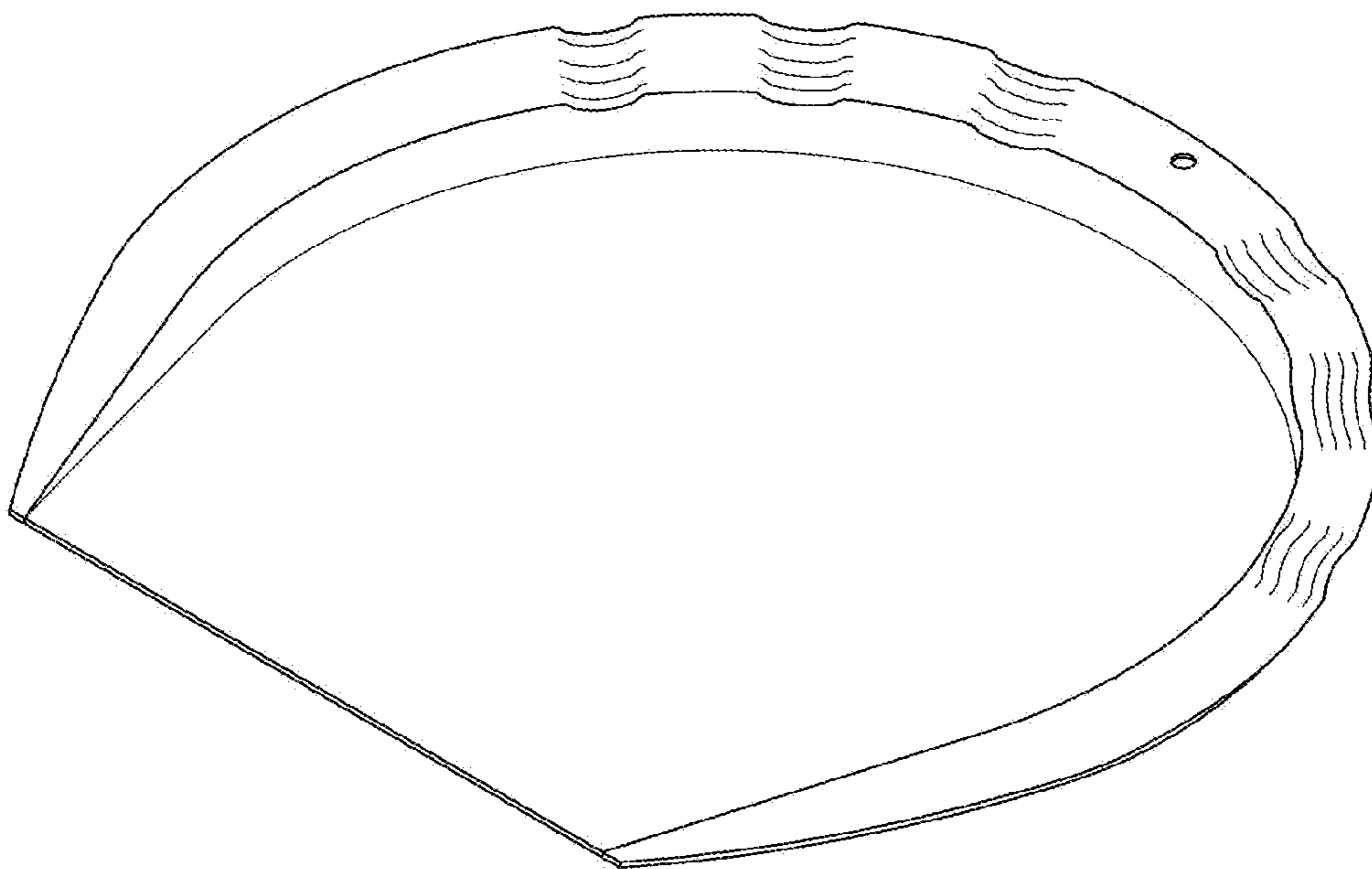


FIG. 2

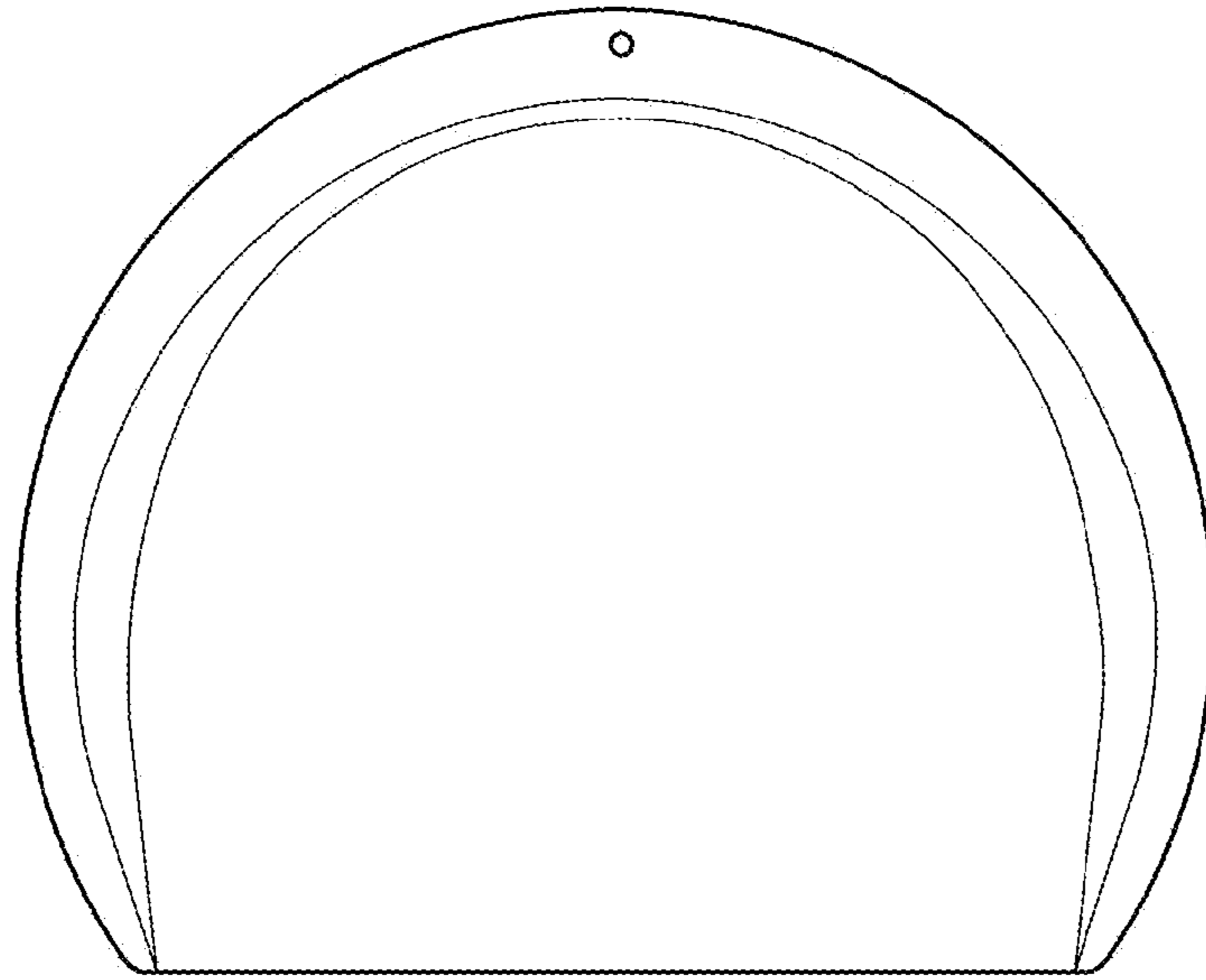


FIG. 3

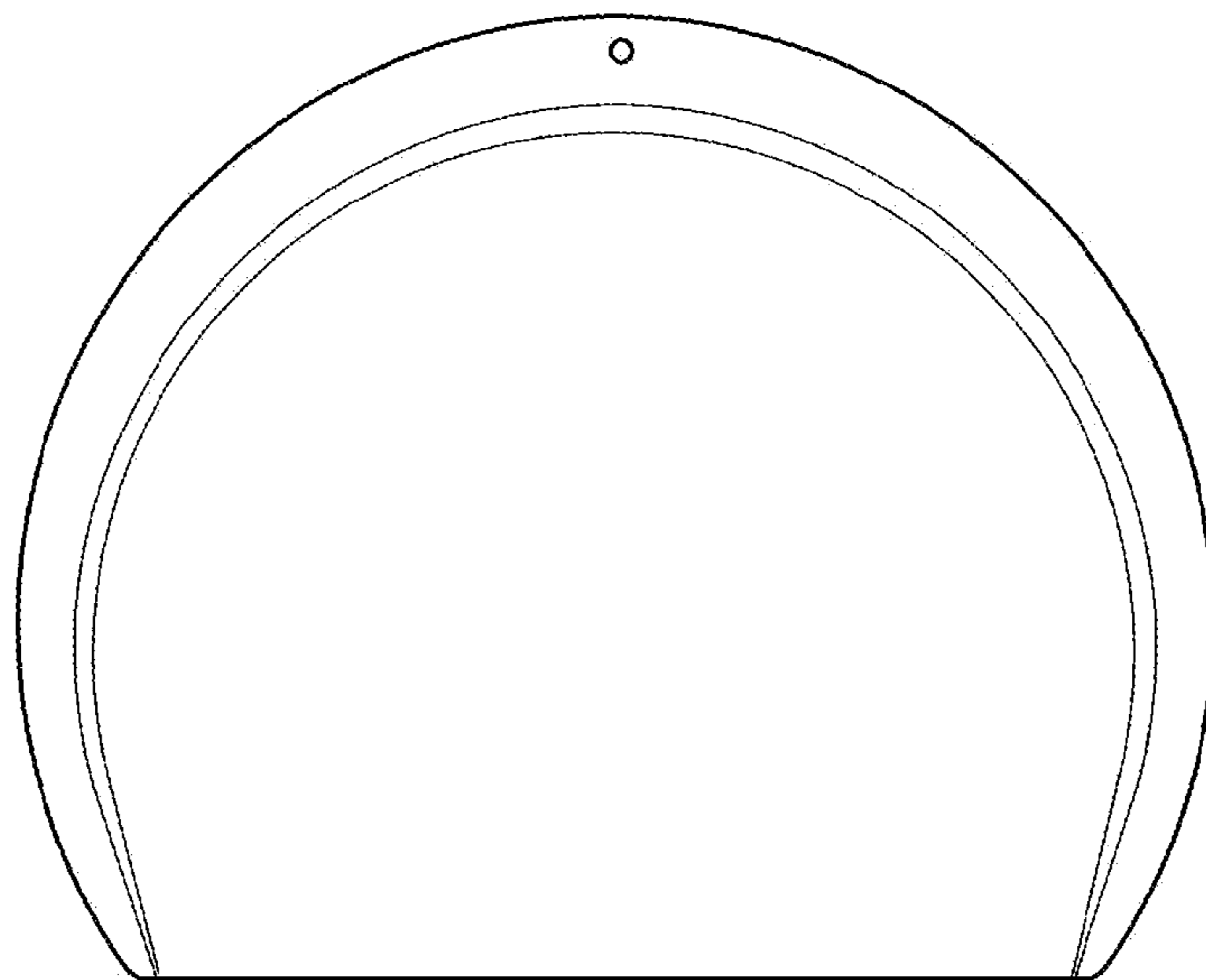


FIG. 4

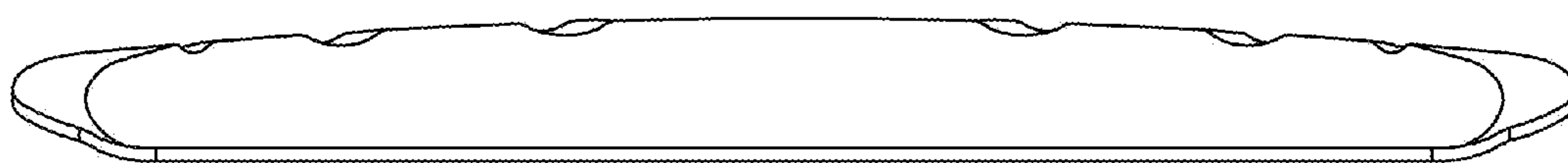


FIG. 5

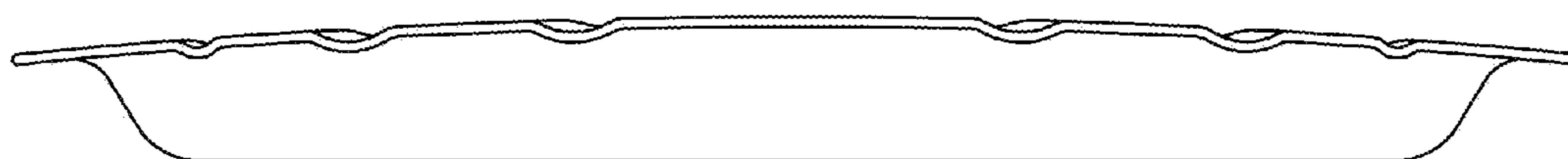


FIG. 6

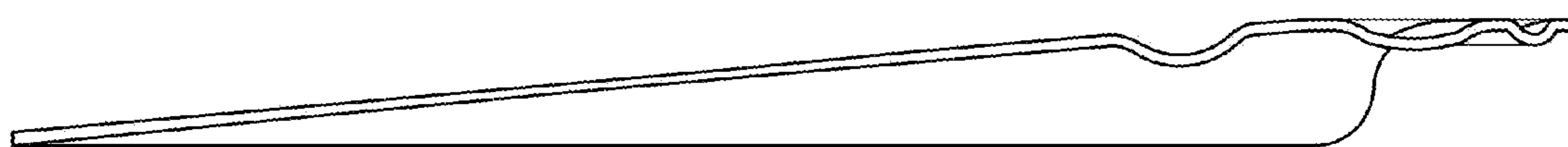


FIG. 7

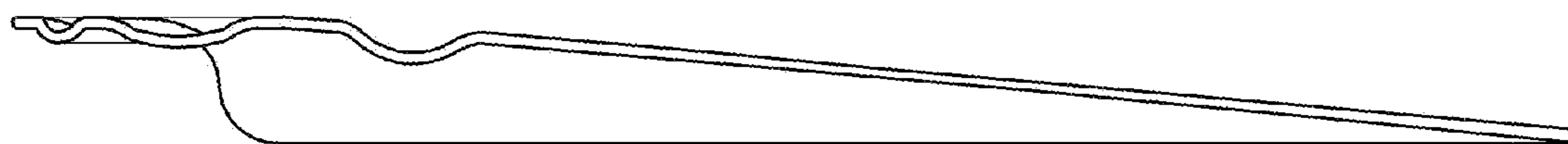


FIG. 8

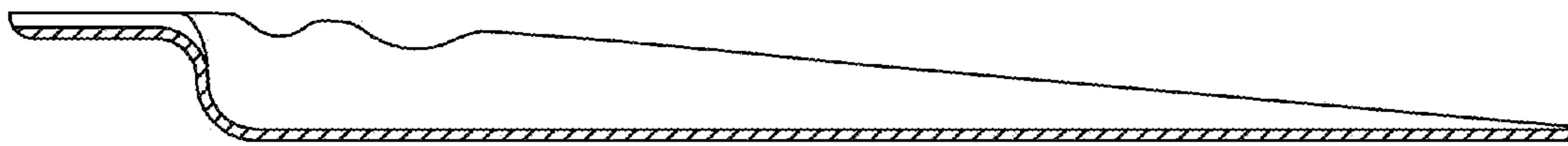
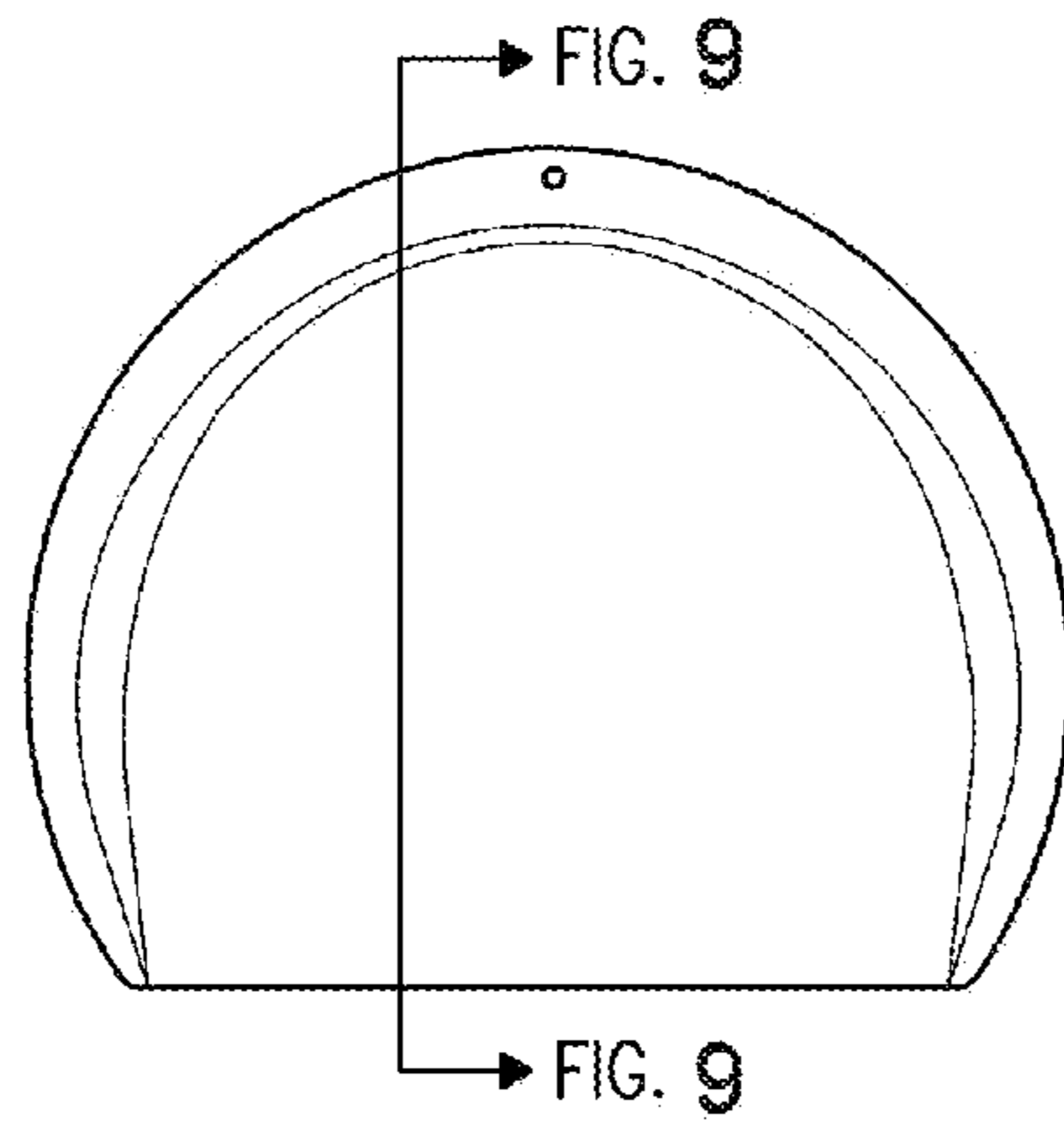


FIG. 9

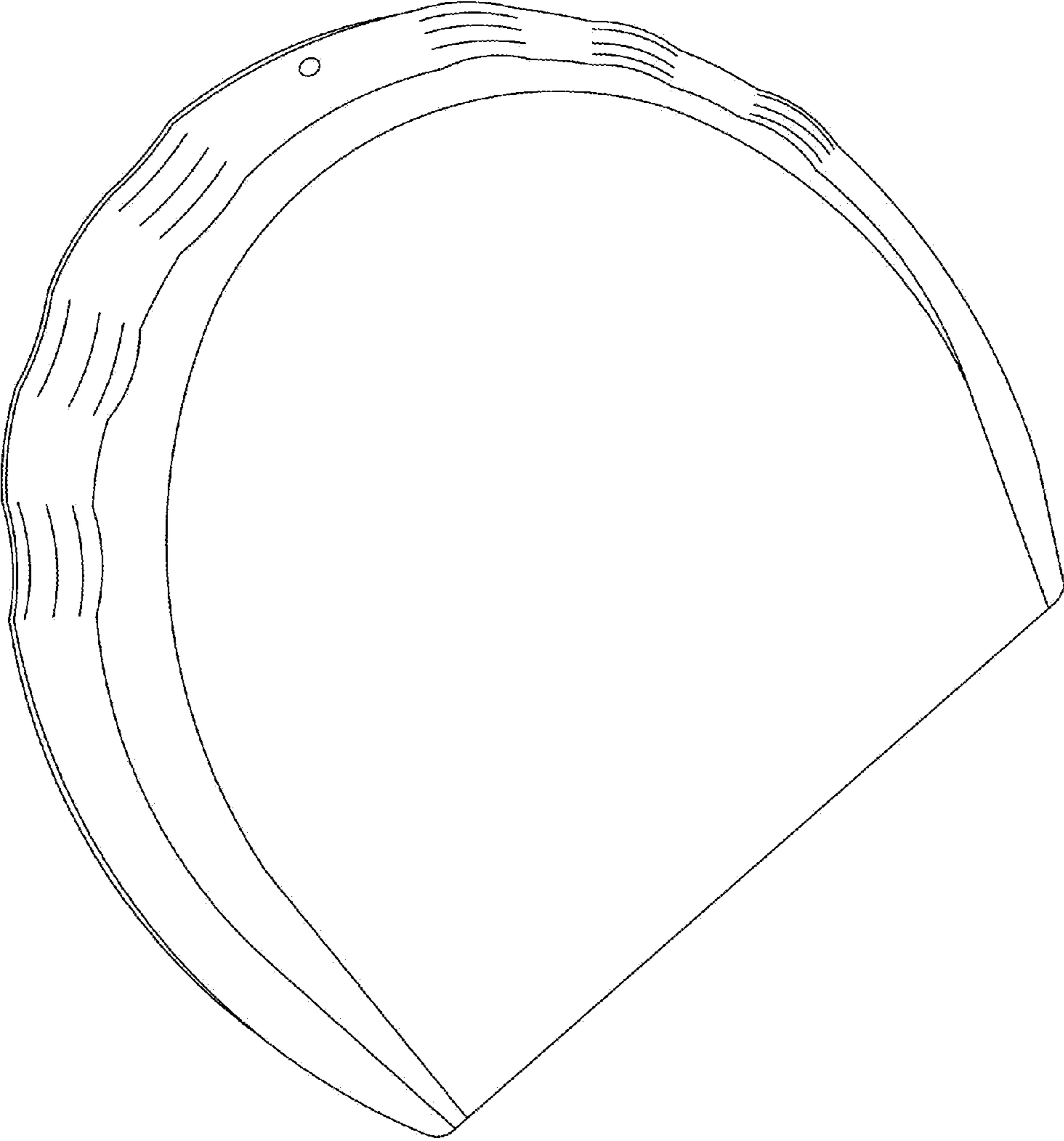


FIG. 10

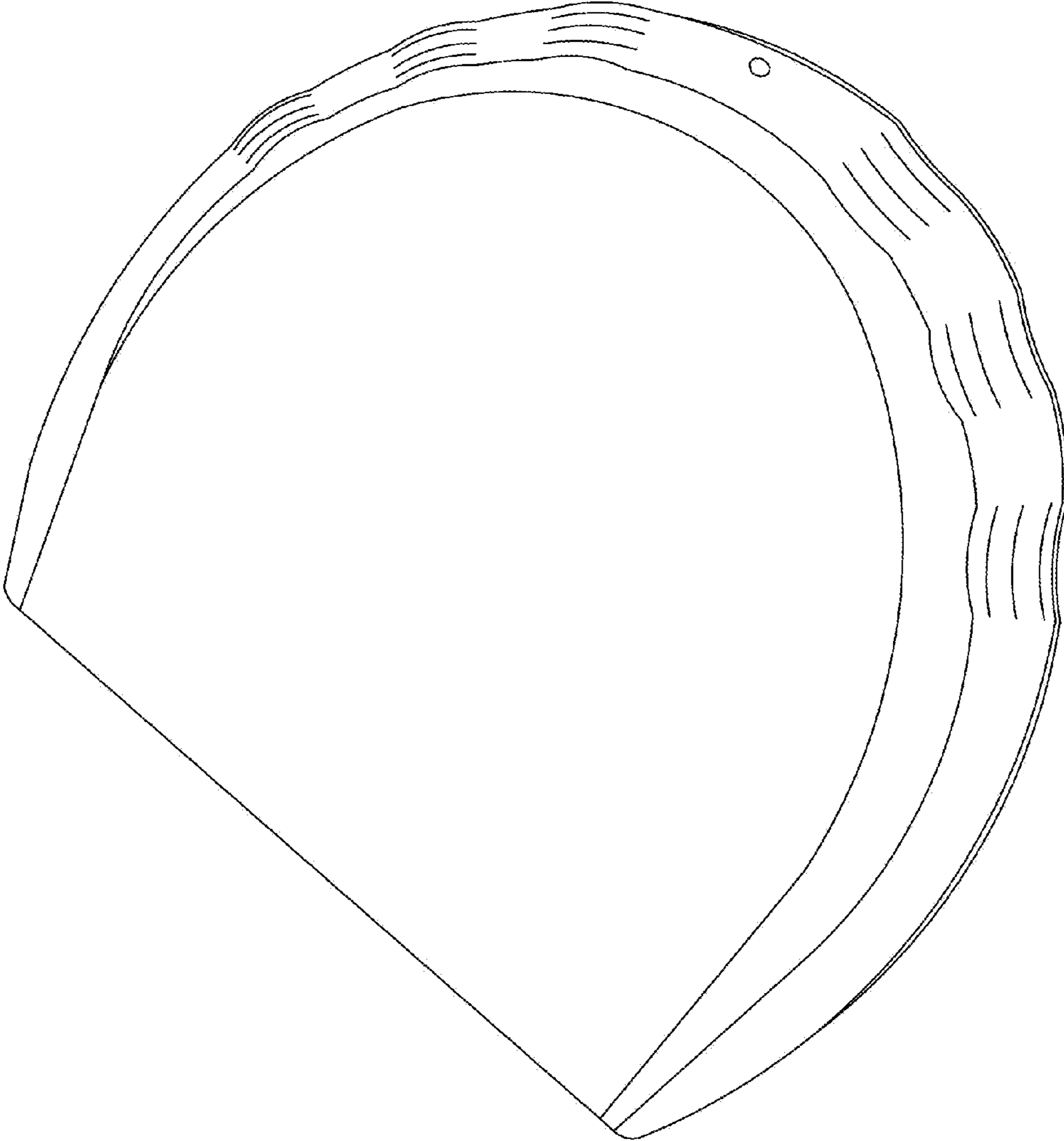


FIG. 11