

US00D674568S

(12) **United States Design Patent**
Holbaek et al.

(10) **Patent No.:** **US D674,568 S**
(45) **Date of Patent:** **** Jan. 15, 2013**

(54) **CLEANING DEVICE FOR COMPUTER COMPONENTS**

(75) Inventors: **Henrik Holbaek**, Copenhagen NV (DK); **Claus Jensen**, Copenhagen NV (DK)

(73) Assignee: **AM Denmark A/S** (DK)

(**) Term: **14 Years**

(21) Appl. No.: **29/342,863**

(22) Filed: **Sep. 2, 2009**

(30) **Foreign Application Priority Data**

Mar. 26, 2009 (EM) 001113278-0001
Mar. 26, 2009 (EM) 001113278-0002

(51) **LOC (9) Cl.** **04-01**

(52) **U.S. Cl.** **D32/52**

(58) **Field of Classification Search** D32/45,
D32/51, 40; D4/138, 132, 114; 15/210.1,
15/244.1; 401/6, 146, 188 R, 205-207, 270,
401/275, 276

See application file for complete search history.

(56) **References Cited**

U.S. PATENT DOCUMENTS

D152,375	S	*	1/1949	Seley	D32/41
2,719,316	A	*	10/1955	Hauser	15/236.08
2,817,106	A	*	12/1957	Putz	401/183
D287,173	S	*	12/1986	Libman	D32/51
4,712,269	A	*	12/1987	Worthen	15/236.02
D381,518	S	*	7/1997	Emerson et al.	D4/138
D387,704	S	*	12/1997	Berti	D4/114
D414,005	S	*	9/1999	Lehnertz	D32/45
D422,125	S	*	3/2000	Sneed et al.	D32/49
D469,230	S	*	1/2003	Libman et al.	D32/41
D485,033	S	*	1/2004	Colburn et al.	D32/45
D493,962	S	*	8/2004	Dotterman et al.	D4/138
D501,607	S	*	2/2005	Hay et al.	D4/114

D502,002	S	*	2/2005	Conway et al.	D4/138
D507,682	S	*	7/2005	Dunn et al.	D30/158
D511,626	S	*	11/2005	Hay et al.	D4/138
D524,547	S	*	7/2006	Hay	D4/127
D529,676	S	*	10/2006	Hay	D32/42
D543,035	S	*	5/2007	Grant	D4/108
D554,314	S	*	10/2007	Kubes et al.	D32/45
D565,258	S	*	3/2008	Porter et al.	D30/158
D589,663	S	*	3/2009	Massip et al.	D32/17
D591,953	S	*	5/2009	Krus et al.	D4/127
D592,370	S	*	5/2009	van Deursen et al.	D32/46
7,717,067	B2	*	5/2010	Porter et al.	119/601

* cited by examiner

Primary Examiner — John Windmuller

(74) *Attorney, Agent, or Firm* — Edell, Shapiro & Finnan, LLC

(57) **CLAIM**

The ornamental design for a cleaning device for computer components, as shown and described.

DESCRIPTION

FIG. 1 is a perspective view of a cleaning device for computer components according to the present invention.

FIG. 2 is a top view in plan of the cleaning device for computer components shown in FIG. 1.

FIG. 3 is a bottom view in plan of the cleaning device for computer components shown in FIG. 1.

FIG. 4 is a front view in elevation of the cleaning device for computer components shown in FIG. 1.

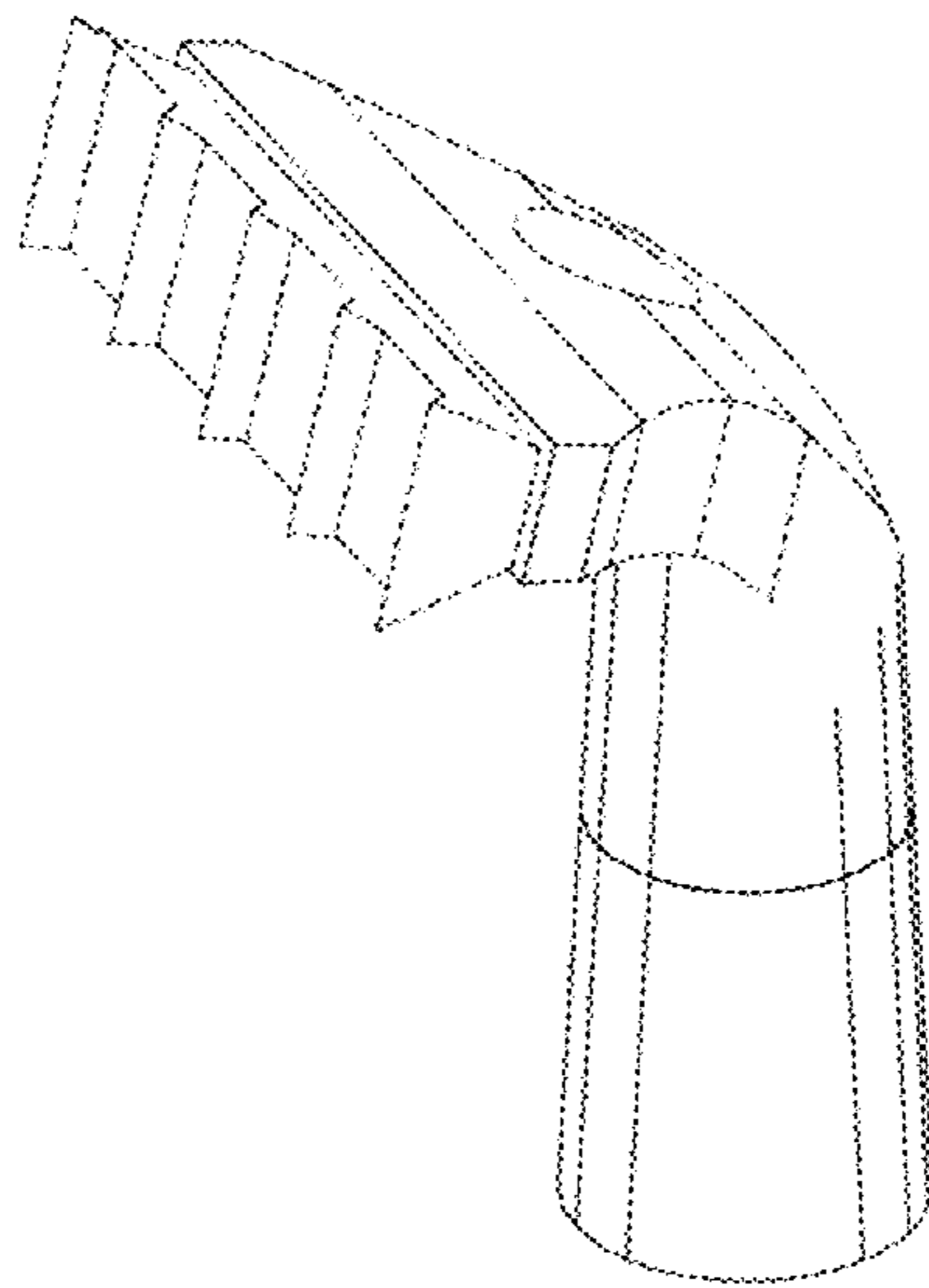
FIG. 5 is a rear view in elevation of the cleaning device for computer components shown in FIG. 1.

FIG. 6 is a left side view in elevation of the cleaning device for computer components shown in FIG. 1; and,

FIG. 7 is a right side view in elevation of the cleaning device for computer components shown in FIG. 1.

The broken line showing of environment structure in the figures forms no part of the claimed design.

1 Claim, 4 Drawing Sheets



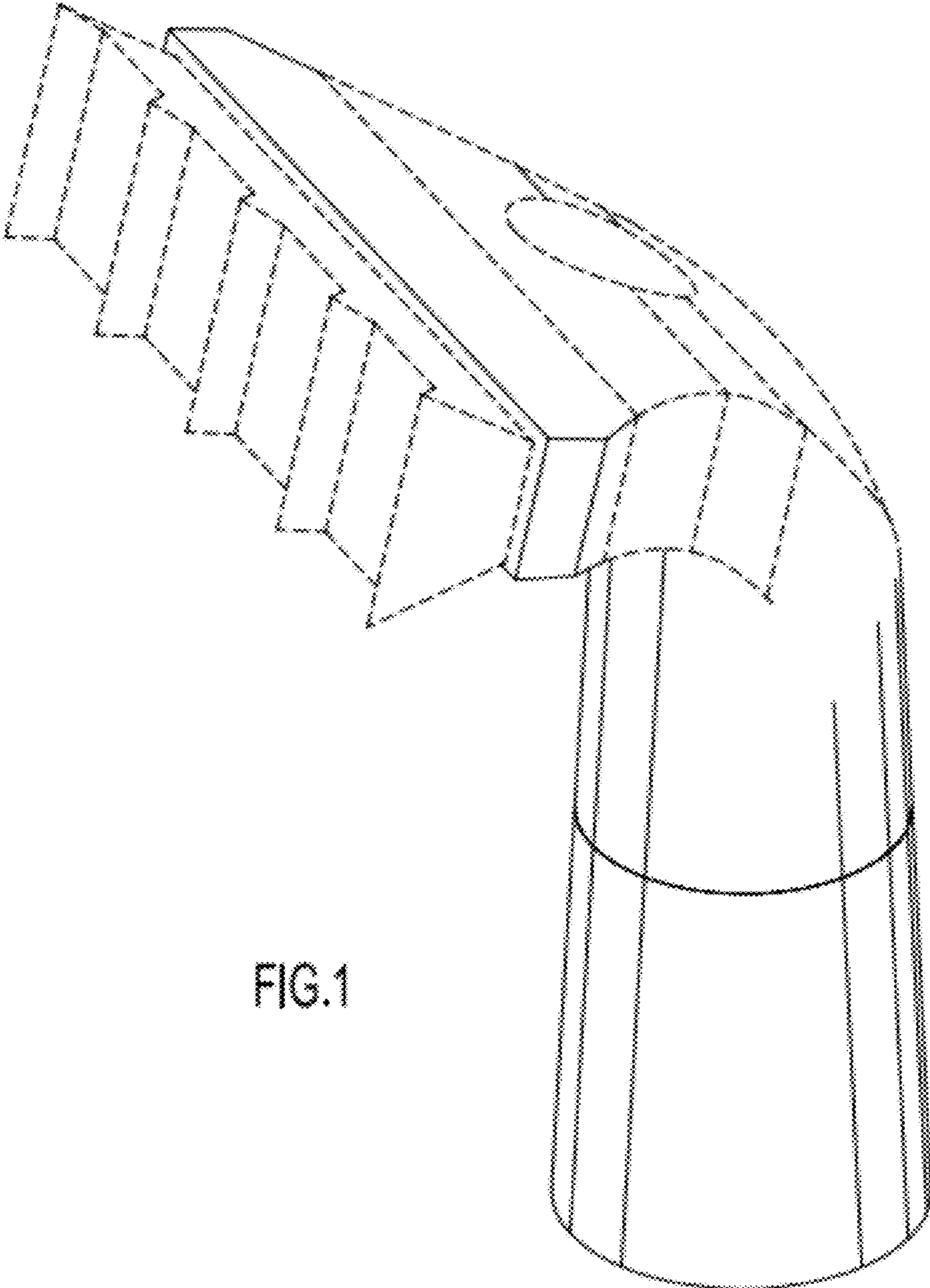


FIG. 1

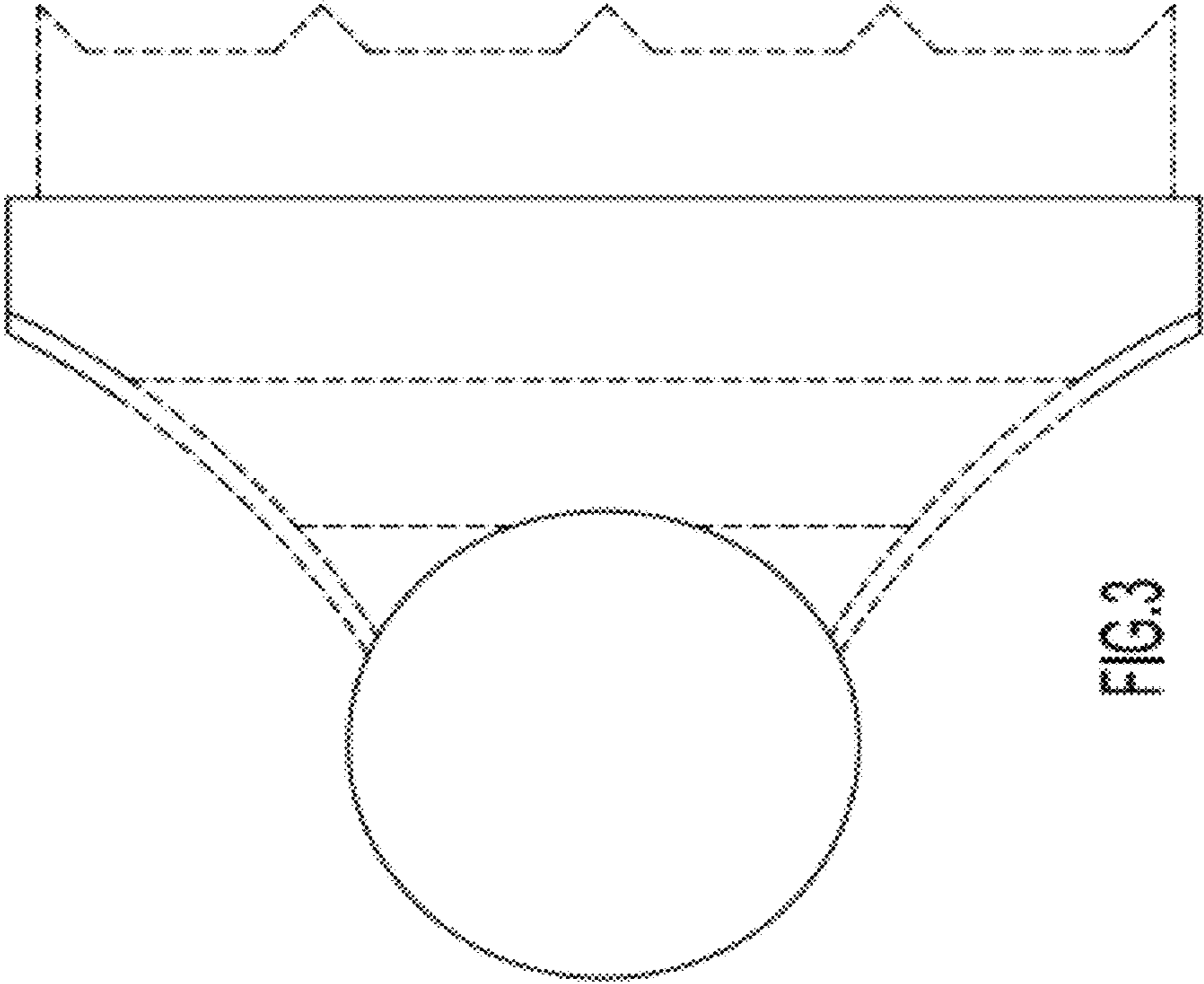


FIG.3

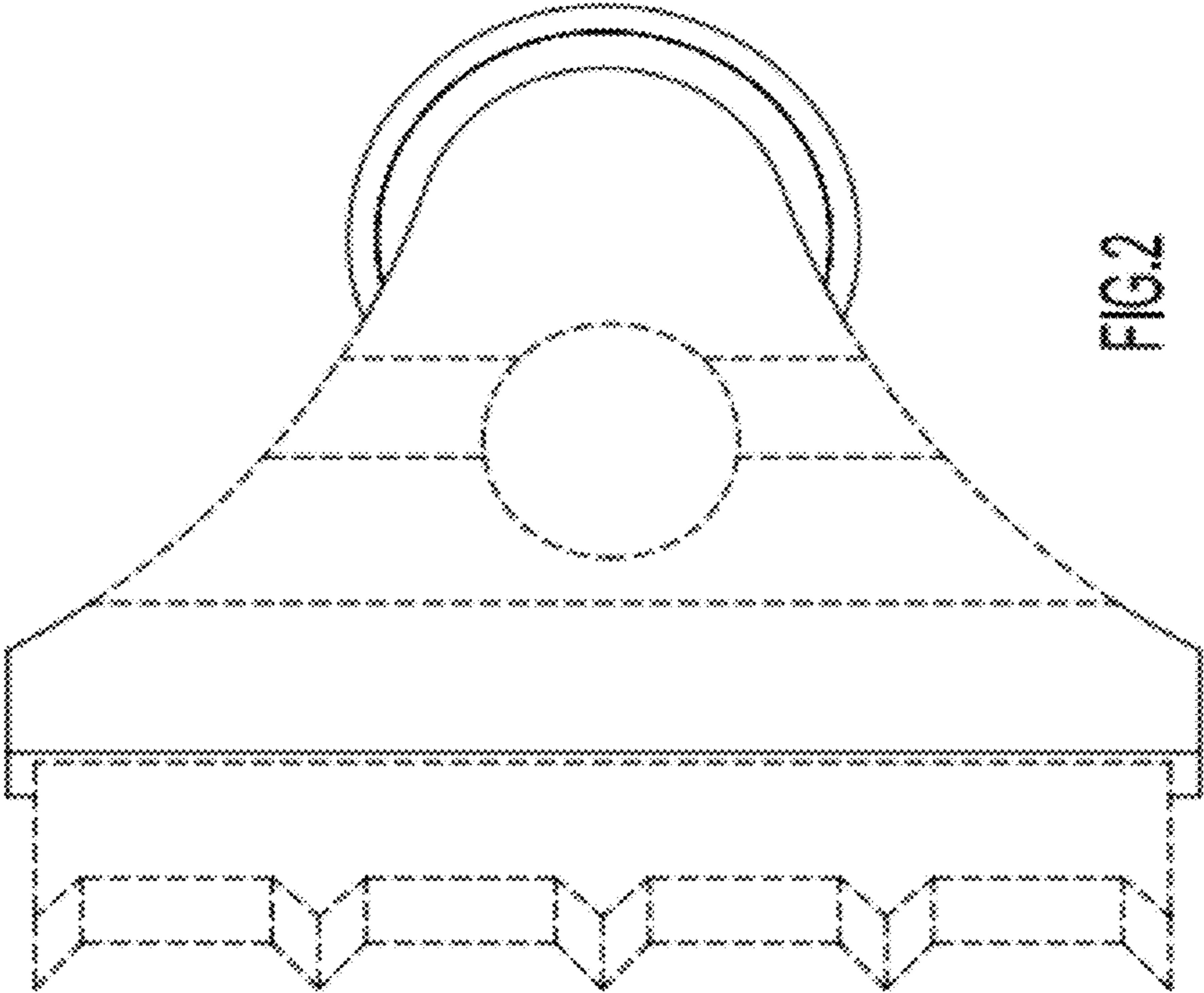


FIG.2

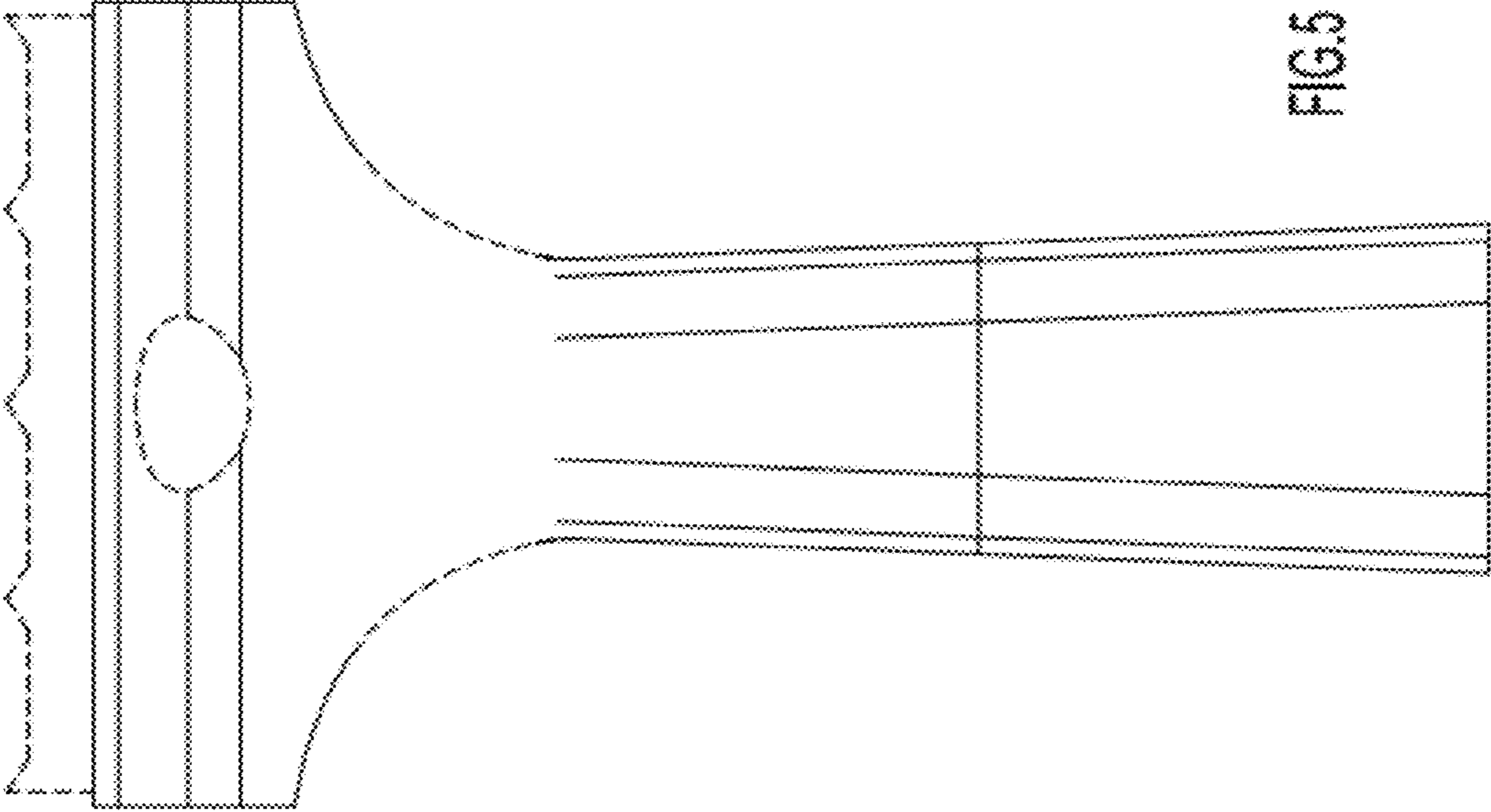


FIG. 5

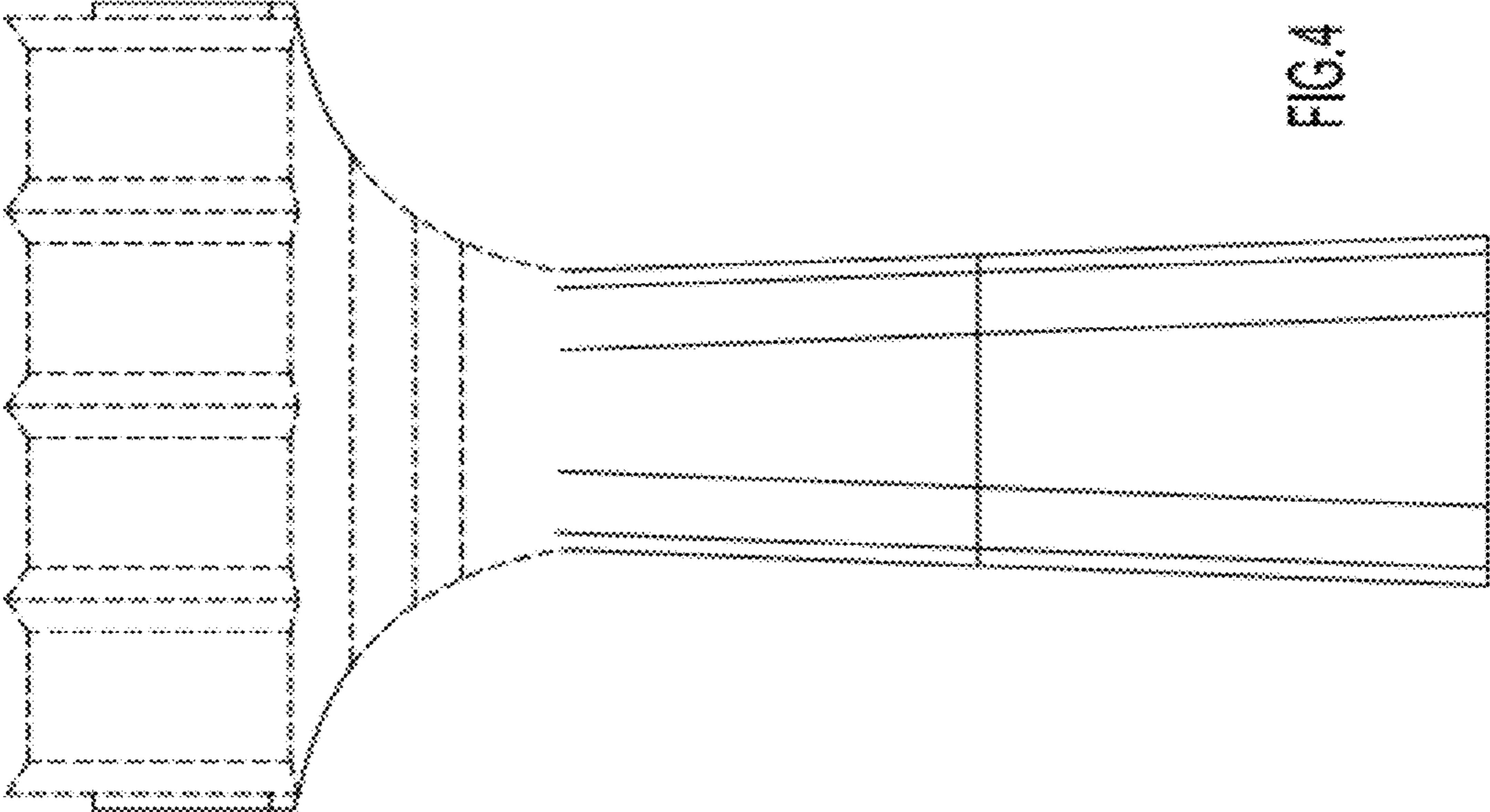


FIG. 4

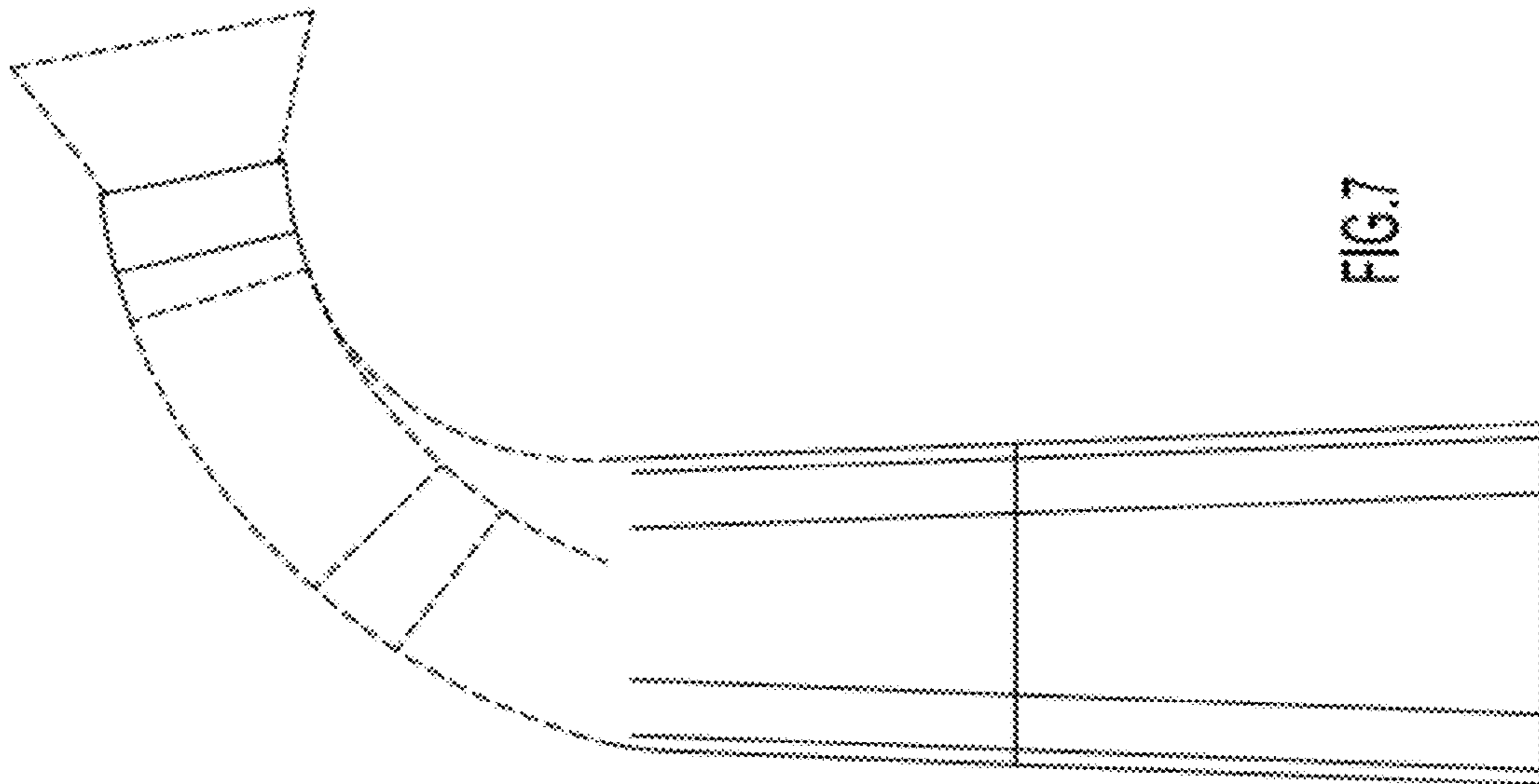


FIG. 7

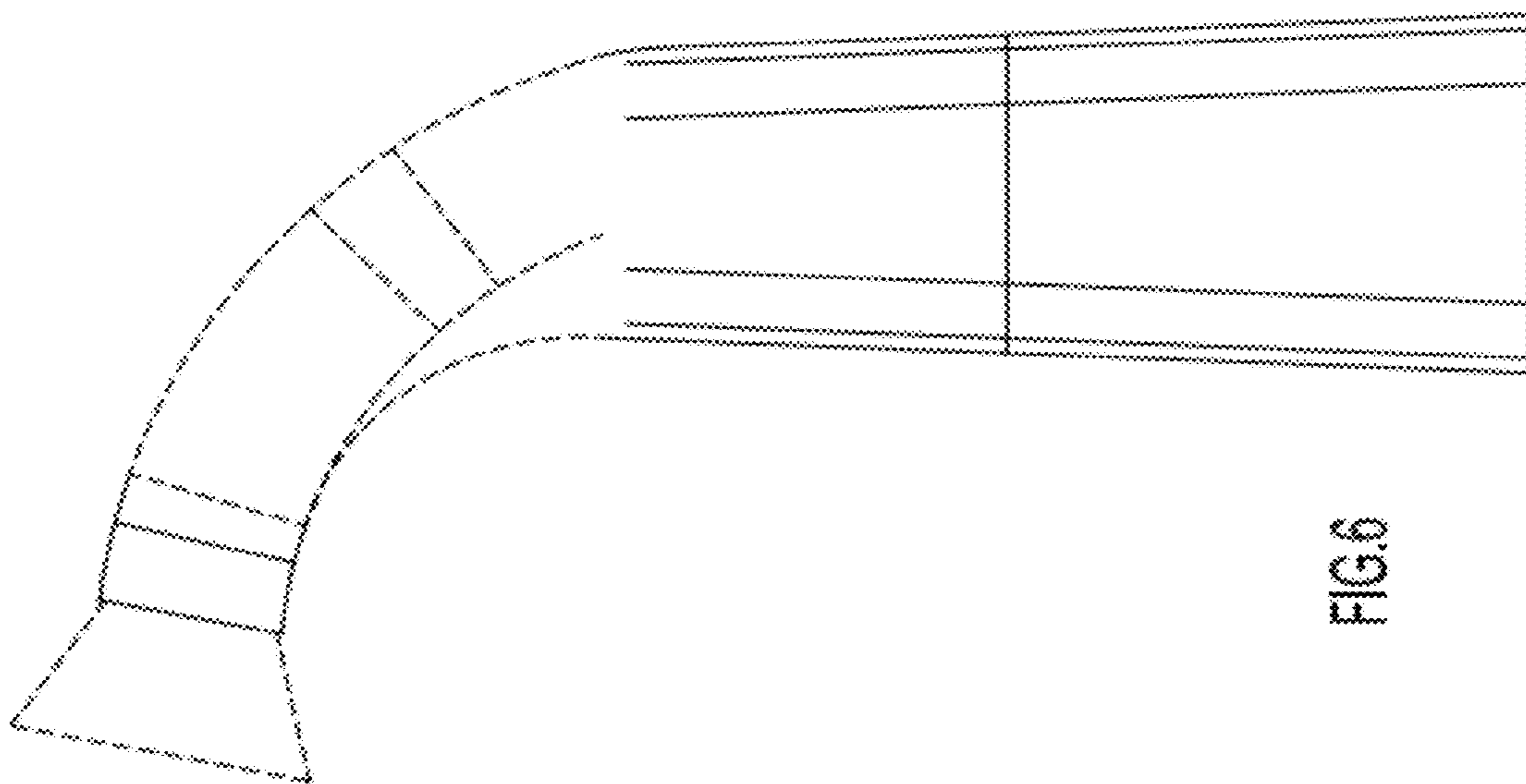


FIG. 6