

US00D674566S

(12) **United States Design Patent**
Colangelo

(10) **Patent No.:** **US D674,566 S**

(45) **Date of Patent:** **** Jan. 15, 2013**

(54) **CLEANING CLOTH**

(76) **Inventor:** **Joseph Colangelo**, Delray Beach, FL
(US)

(**) **Term:** **14 Years**

(21) **Appl. No.:** **29/418,019**

(22) **Filed:** **Apr. 11, 2012**

(51) **LOC (9) Cl.** **04-01**

(52) **U.S. Cl.** **D32/40**

(58) **Field of Classification Search** D32/40-46;
15/245, 245.1, 236.01, 209, 209.1, 244.1-244.4
See application file for complete search history.

(56) **References Cited**

U.S. PATENT DOCUMENTS

RE20,260	E	*	2/1937	Weller	401/196
2,394,419	A	*	2/1946	Zimmerman	156/229
2,932,839	A	*	4/1960	Flanigan et al.	401/201
4,510,640	A	*	4/1985	Omori	15/104.002
5,591,507	A	*	1/1997	Jones	428/88
D426,039	S	*	5/2000	Tintelnot et al.	D32/40
D462,150	S	*	8/2002	Rader et al.	D32/40

* cited by examiner

Primary Examiner — Robin V Webster

(74) *Attorney, Agent, or Firm* — Smith Risley Tempel Santos LLC; Gregory Scott Smith

(57) **CLAIM**

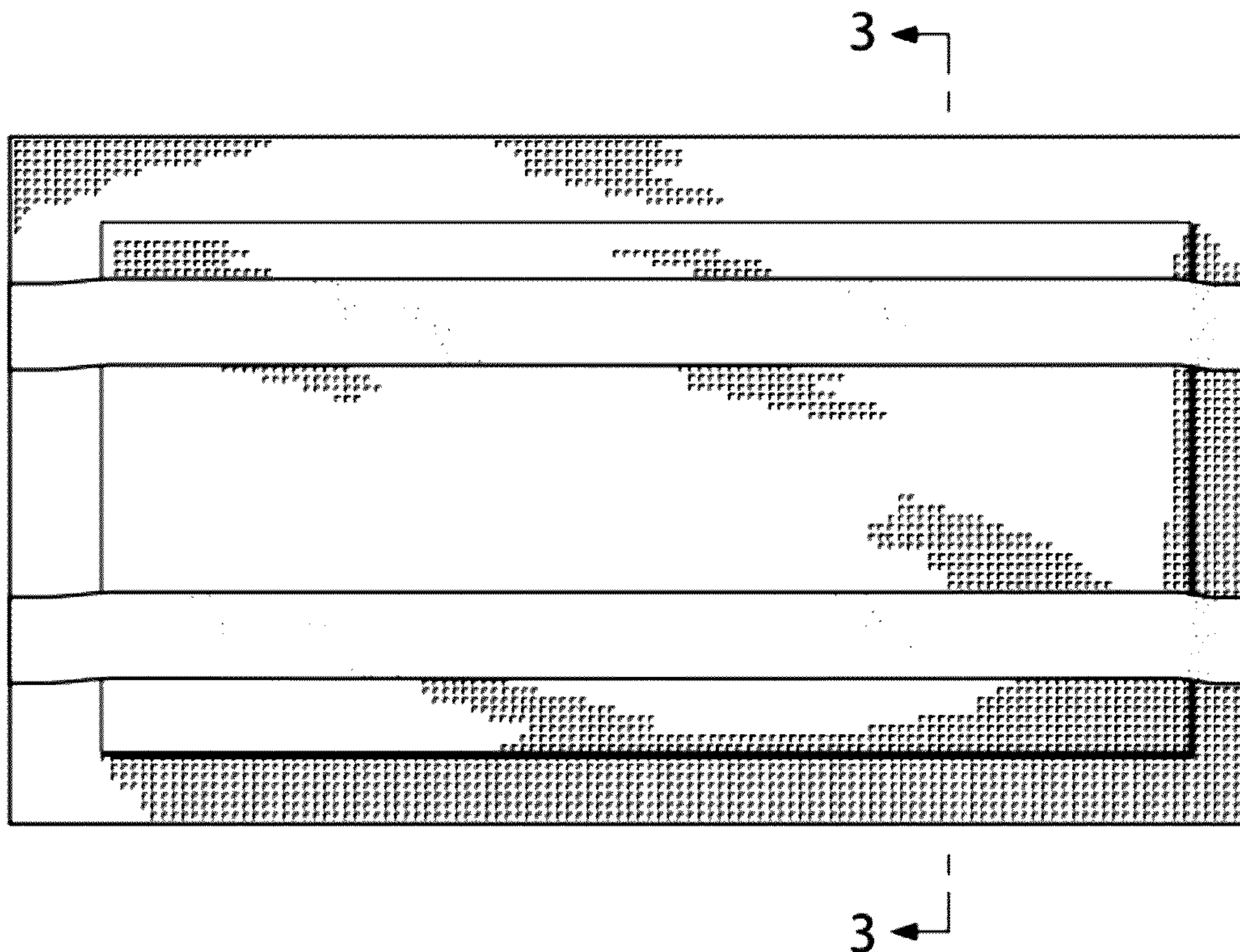
The ornamental design for a cleaning cloth, as shown and described.

DESCRIPTION

FIG. 1 is a top plan view of the cleaning cloth;
 FIG. 2 is a bottom plan view of the cleaning cloth illustrated in FIG. 1;
 FIG. 3 is a perspective view of the cleaning cloth illustrated in FIG. 1 with a cross-section proximate to line 3 as illustrated in FIG. 1;
 FIG. 4 is a first side elevation view of the cleaning cloth illustrated in FIG. 1;
 FIG. 5 is a second side elevation view of the cleaning cloth illustrated in FIG. 1;
 FIG. 6 is a first end elevation view of the cleaning cloth illustrated in FIG. 1; and,
 FIG. 7 is a second end elevation view of the cleaning cloth illustrated in FIG. 1.

The cleaning cloth includes two external sheets with two material sandwiched there between and attachment strip(s) placed along at least one surface of the cleaning cloth. The texture in the drawing is provide to aid in the understanding of the cleaning cloth and forms no part of the invention. The broken lines illustrated in FIG. 3 form no part of the claim.

1 Claim, 4 Drawing Sheets



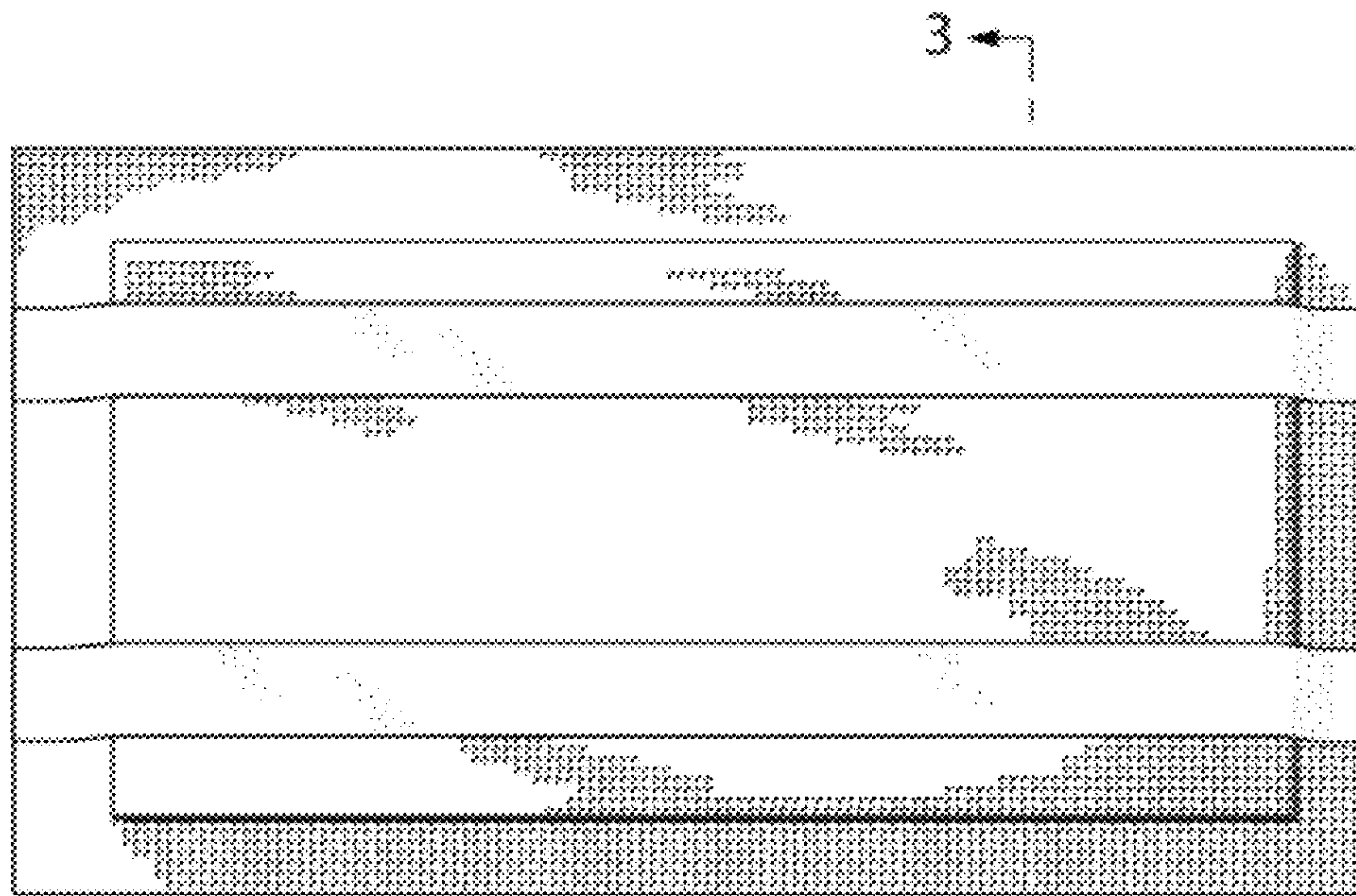


Fig. 1



Fig. 2

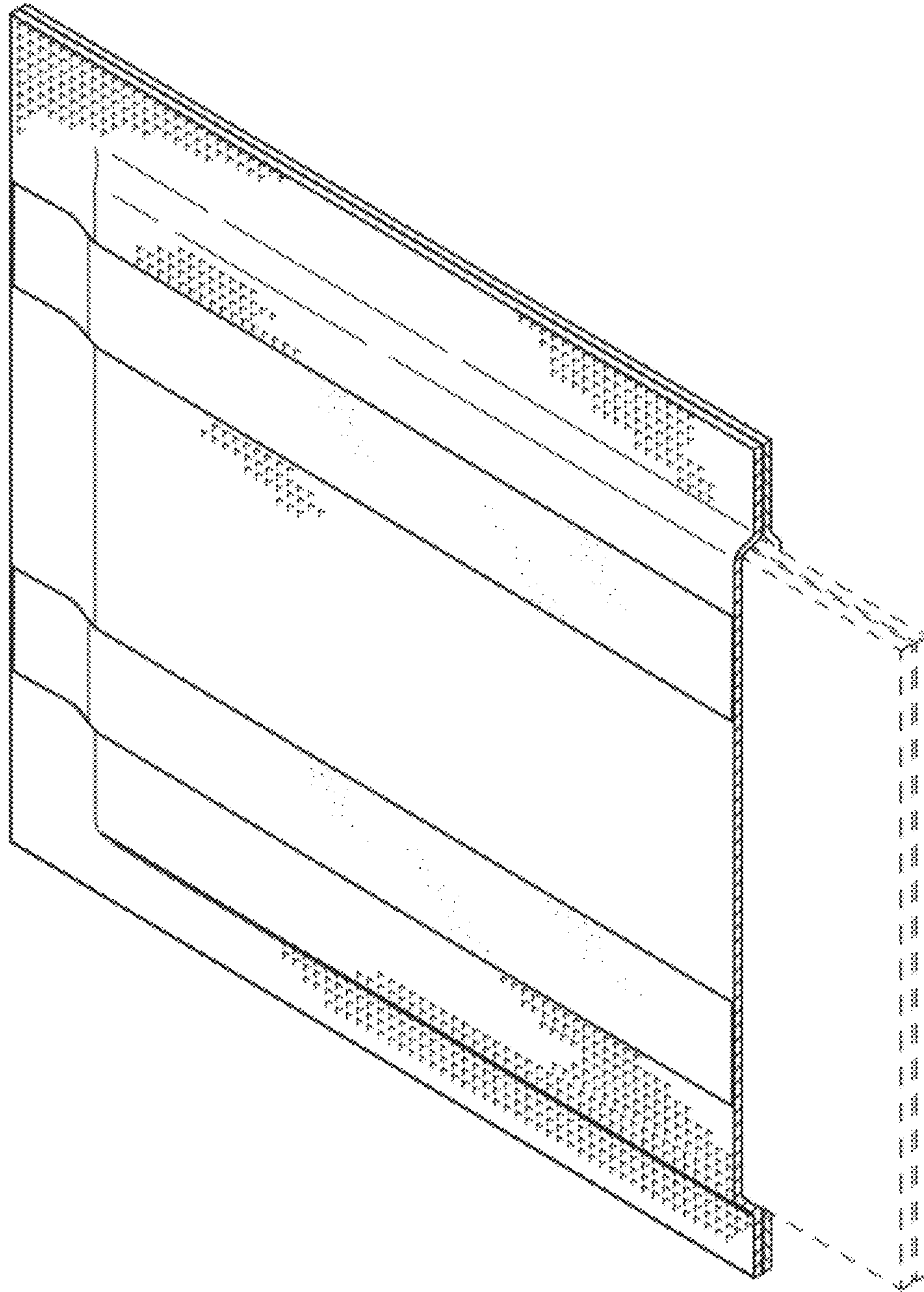


Fig. 3



Fig. 4



Fig. 5

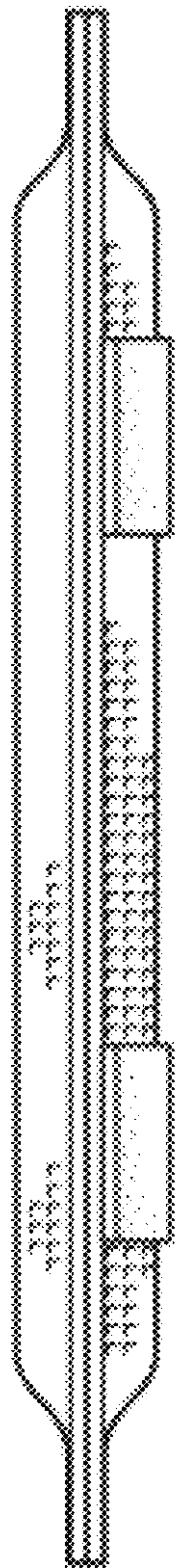


Fig. 6

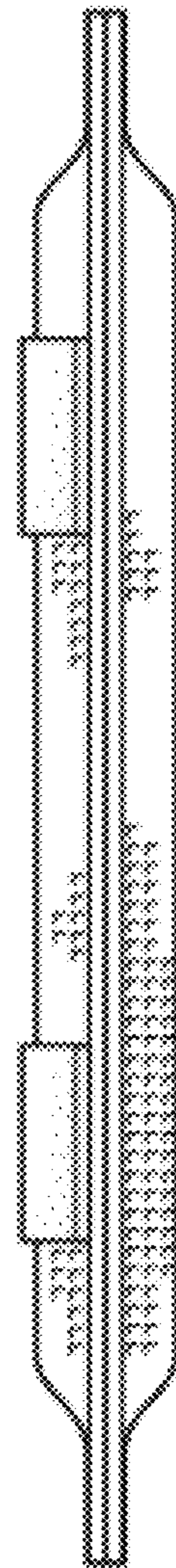


Fig. 7