



US00D674564S

(12) **United States Design Patent**  
**Mangano**

(10) **Patent No.:** **US D674,564 S**  
(45) **Date of Patent:** **\*\* Jan. 15, 2013**

(54) **MINI STEAMER**

(75) Inventor: **Joy Mangano**, St. James, NY (US)

(73) Assignee: **Ingenious Designs, LLC**, Ronkonkoma, NY (US)

(\*\*) Term: **14 Years**

(21) Appl. No.: **29/406,382**

(22) Filed: **Nov. 14, 2011**

(51) **LOC (9) Cl.** ..... **15-05**

(52) **U.S. Cl.** ..... **D32/17**

(58) **Field of Classification Search** ..... D32/17-18,  
D32/31-33; 15/321-322, 415.1-422.1, 246.2,  
15/400, 353; 38/77.5, 77.9; 392/384, 404;  
68/5 R, 5 A, 222; 223/51, 70, 73; 239/538  
See application file for complete search history.

(56) **References Cited**

**U.S. PATENT DOCUMENTS**

D221,992 S *	9/1971	Bluestein et al.	.....	D32/17
D233,209 S *	10/1974	Terraillon	.....	D32/17
D452,051 S *	12/2001	Antonio	.....	D32/17
D481,183 S	10/2003	Mangano		
D482,505 S *	11/2003	Chow	.....	D32/17
D485,651 S *	1/2004	Lin	.....	D32/17
D488,269 S *	4/2004	Tsai	.....	D32/17
D519,694 S *	4/2006	Rosenzweig et al.	.....	D32/17
D525,399 S *	7/2006	Alday Lesaga	.....	D32/17
D563,063 S	2/2008	Mangano		
D587,866 S	3/2009	Mangano		
D592,366 S	5/2009	Mangano		

D598,614 S *	8/2009	Lam	.....	D32/17
D611,208 S *	3/2010	Lam	.....	D32/17
D620,208 S *	7/2010	Mangano	.....	D32/17
D620,651 S *	7/2010	Enervold	.....	D32/17
D623,363 S *	9/2010	Ediger et al.	.....	D32/17
D634,493 S *	3/2011	Breit	.....	D32/17
D648,494 S *	11/2011	Vrdoljak et al.	.....	D32/17
D656,693 S *	3/2012	Lavy	.....	D32/17
2005/0125934 A1 *	6/2005	Reese	.....	15/320
2005/0274403 A1 *	12/2005	Lin	.....	134/105
2008/0022480 A1 *	1/2008	Lee	.....	15/320
2010/0024492 A1 *	2/2010	Leung	.....	68/222
2010/0269287 A1 *	10/2010	Vrdoljak et al.	.....	15/322

\* cited by examiner

*Primary Examiner* — Ruth McInroy

(74) *Attorney, Agent, or Firm* — Kenyon & Kenyon, LLP

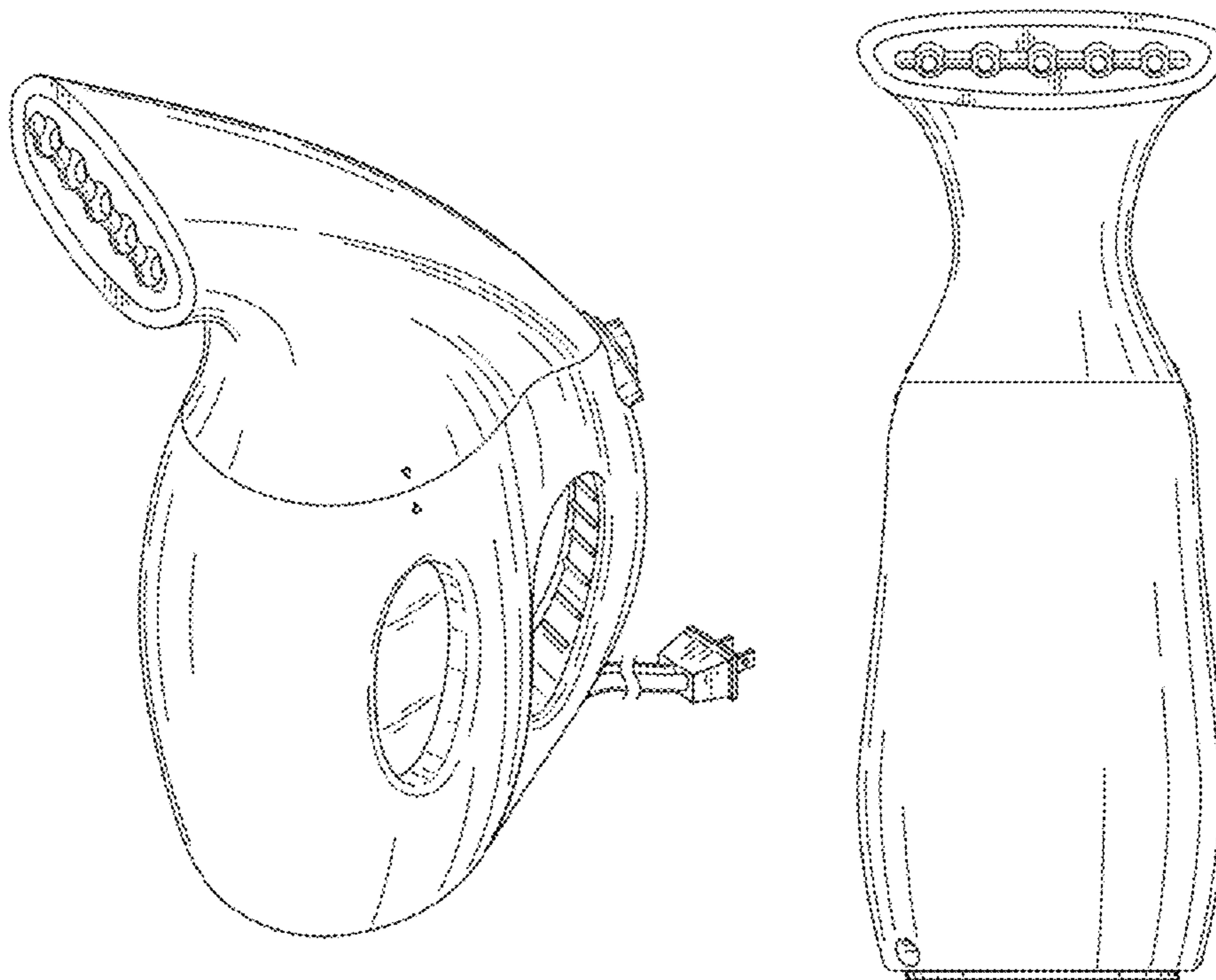
(57) **CLAIM**

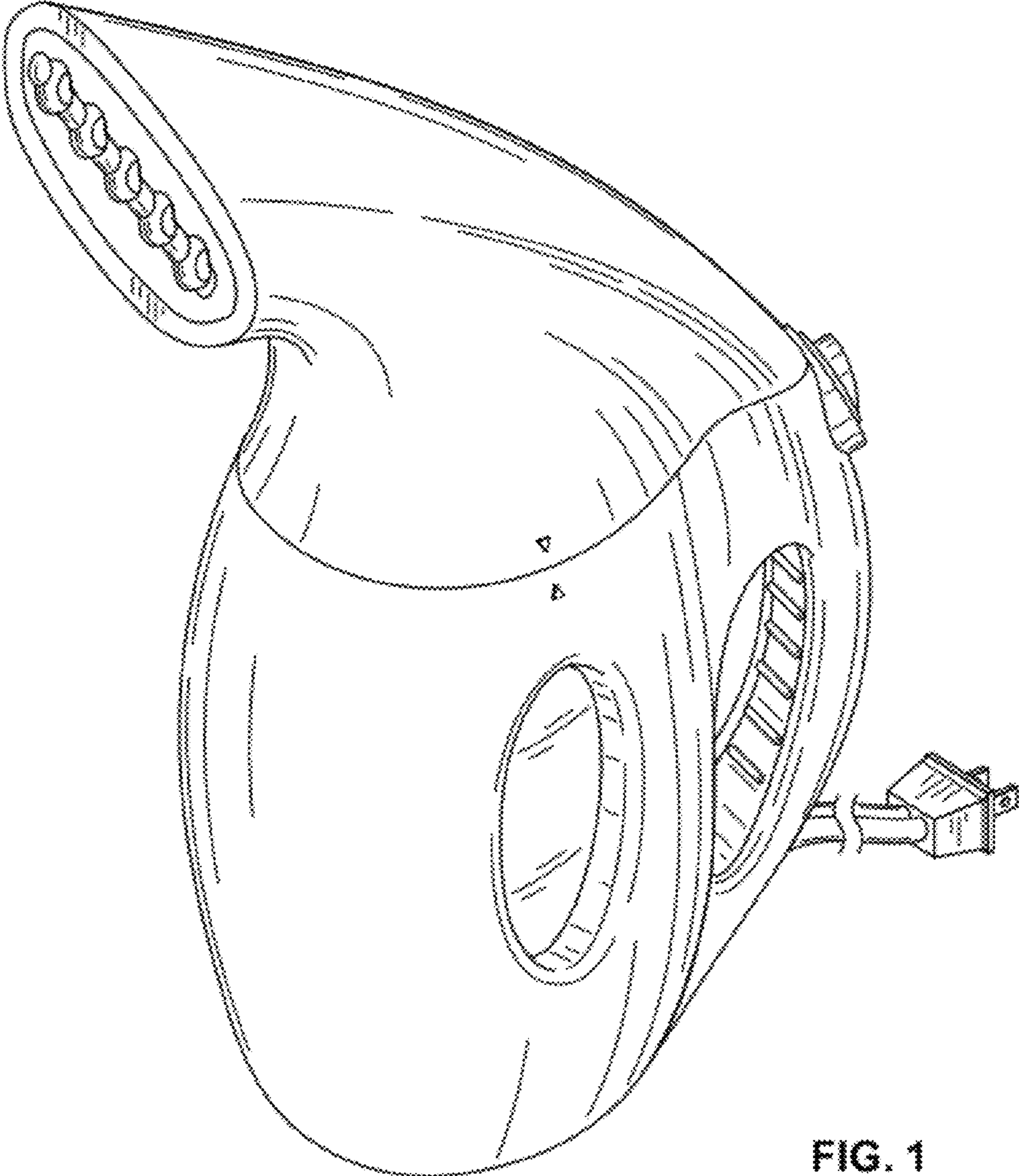
The ornamental design for a mini steamer, as shown and described.

**DESCRIPTION**

FIG. 1 is a top, front and side perspective view of a mini steamer showing my new design;  
FIG. 2 is a front elevation view thereof;  
FIG. 3 is a left side elevation view thereof;  
FIG. 4 is a rear elevation view thereof;  
FIG. 5 is a right side elevation view thereof;  
FIG. 6 is a top plan view thereof; and,  
FIG. 7 is a bottom plan view thereof.  
The electric cord shown broken away in the drawings is understood to represent indeterminate length.

**1 Claim, 6 Drawing Sheets**





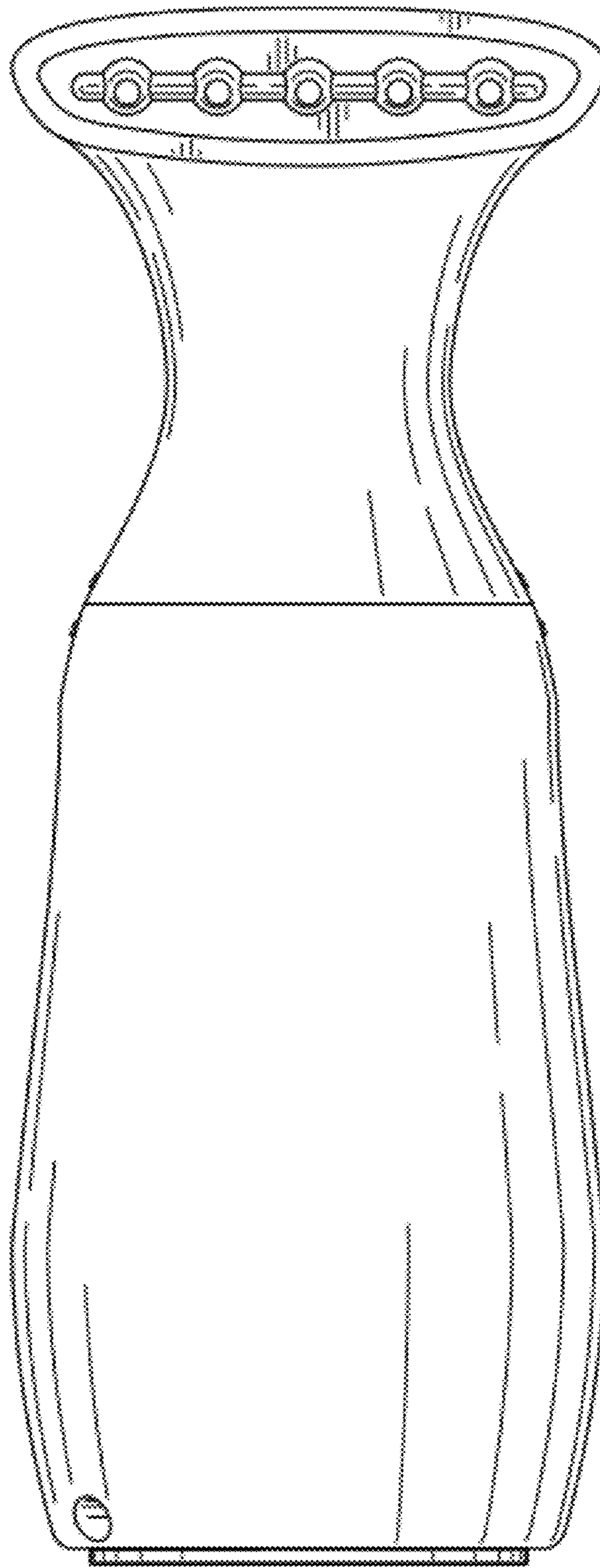


FIG. 2

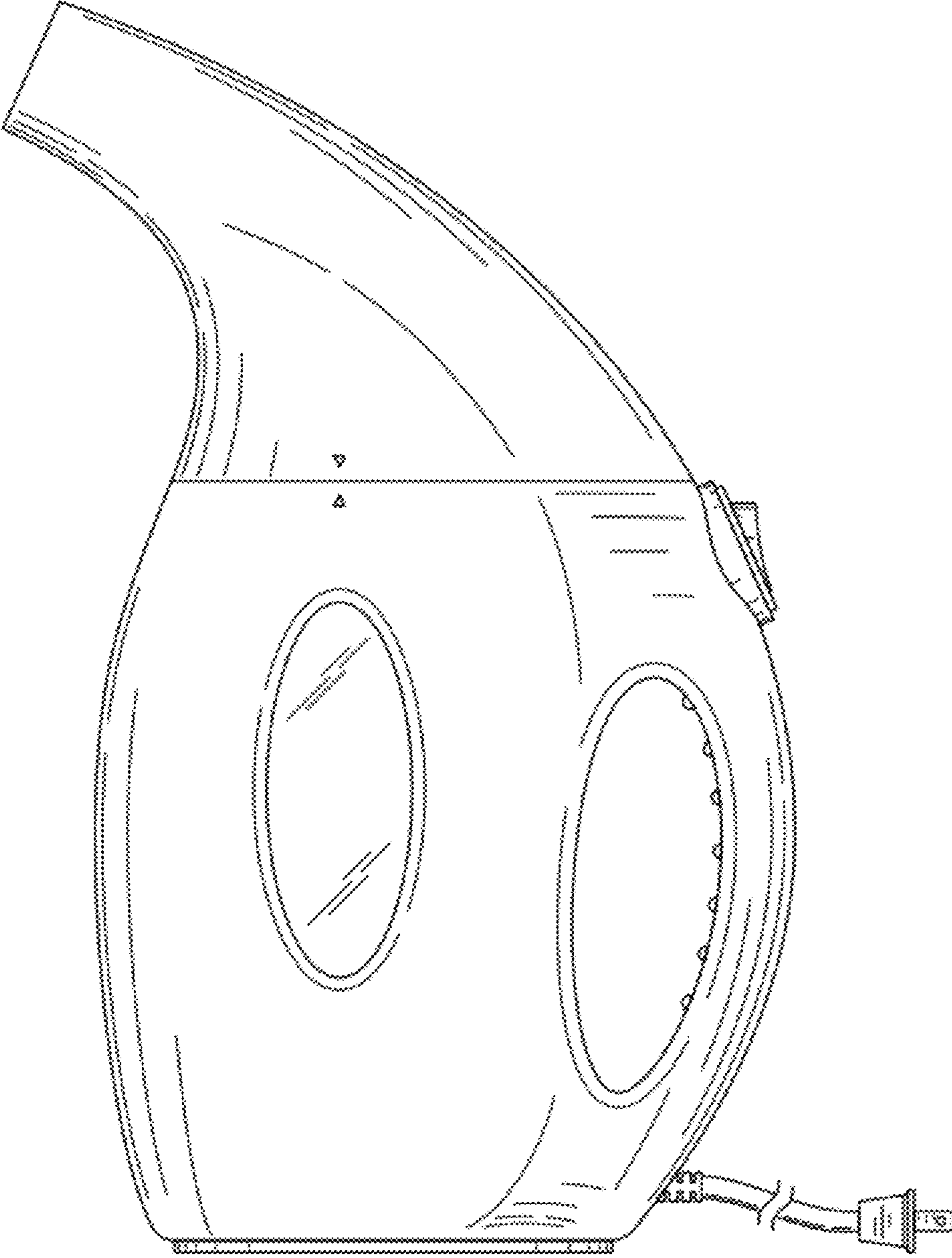


FIG. 3

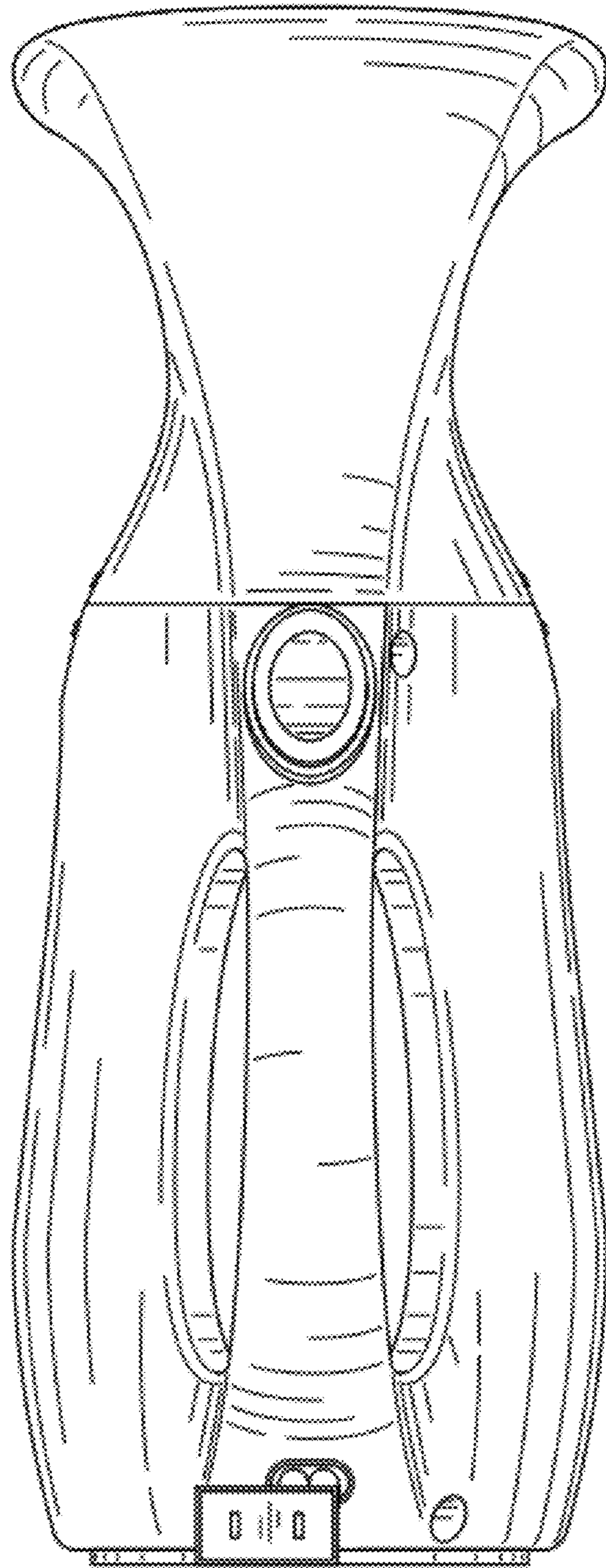


FIG. 4

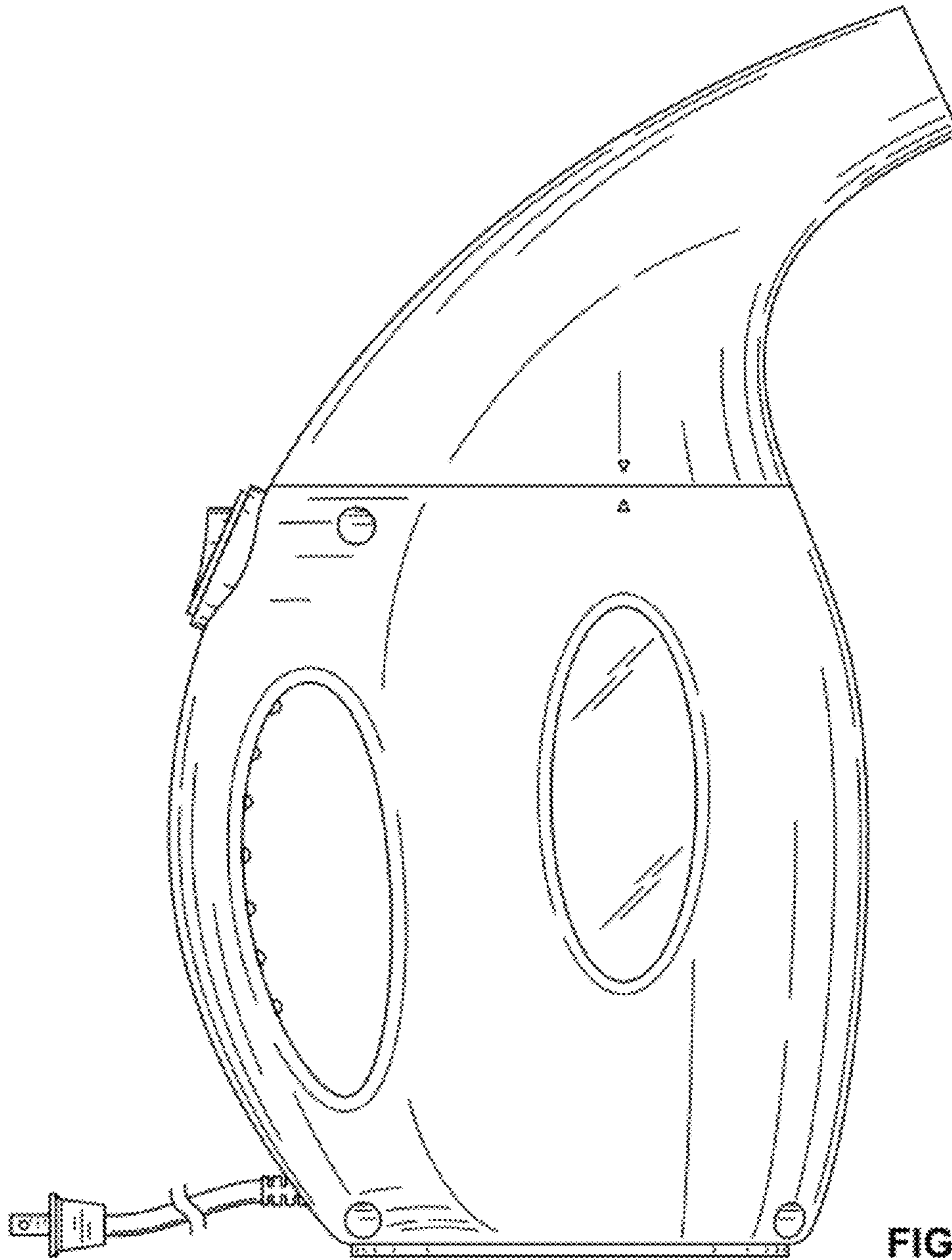


FIG. 5

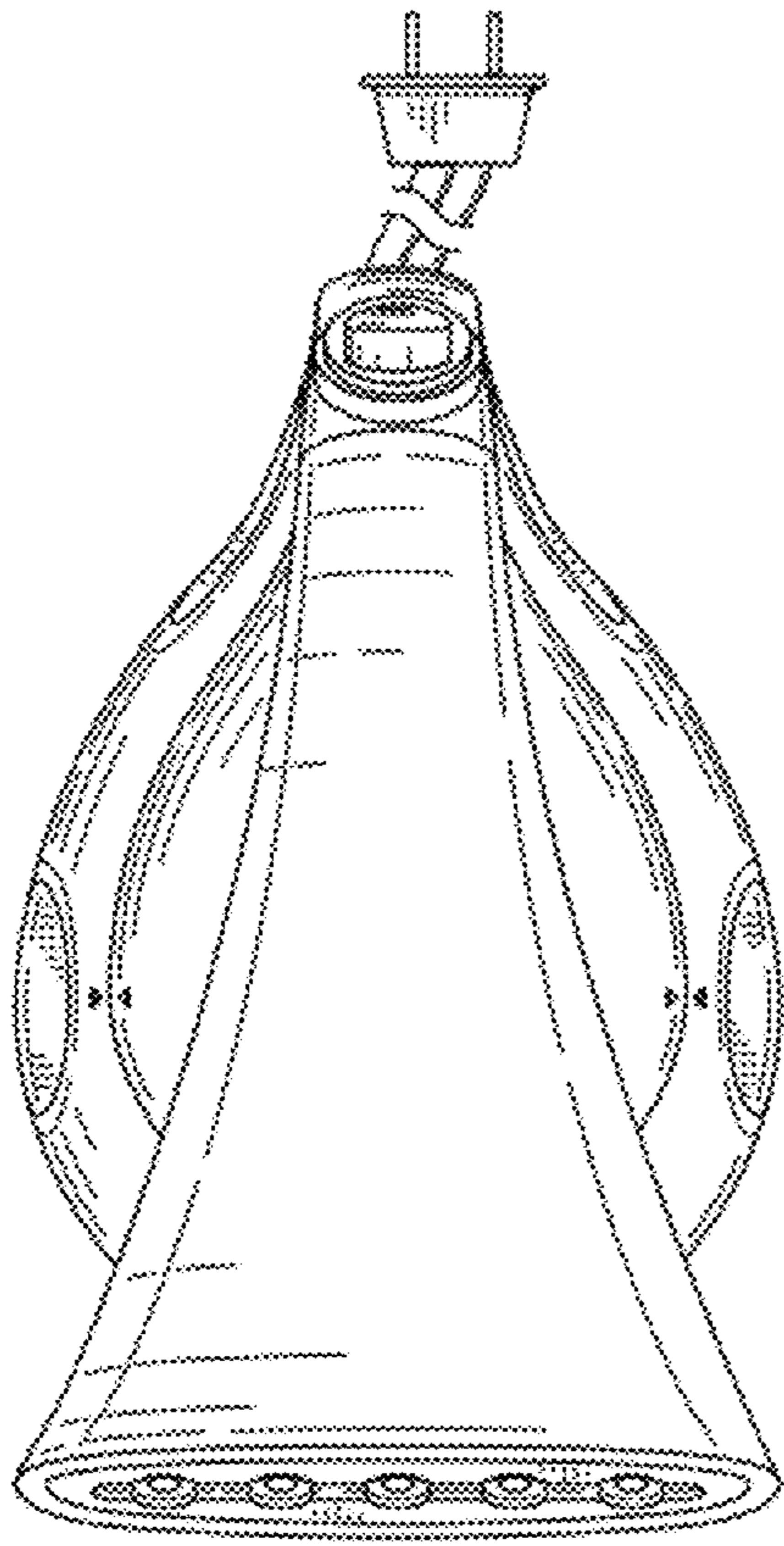


FIG. 6

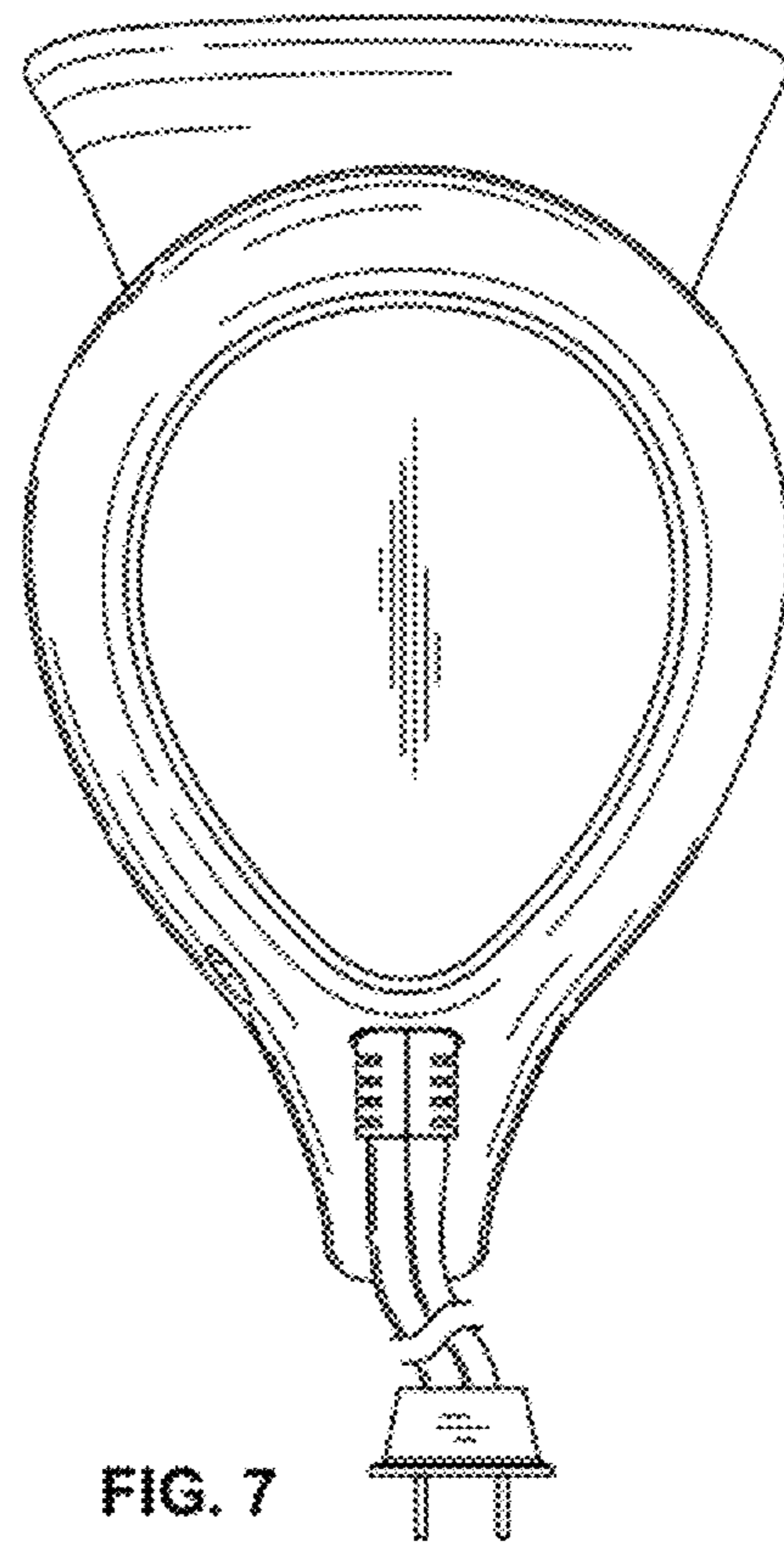


FIG. 7