



US00D674562S

(12) **United States Design Patent**
Hoysak

(10) **Patent No.:** **US D674,562 S**
(45) **Date of Patent:** **** Jan. 15, 2013**

(54) **COOLER WATERER**

(75) Inventor: **Judith Kim Hoysak**, Lancaster, PA (US)

(73) Assignee: **Woodstream Corporation**, Lititz, PA (US)

(**) Term: **14 Years**

(21) Appl. No.: **29/411,534**

(22) Filed: **Jan. 23, 2012**

(51) **LOC (9) Cl.** **30-03**

(52) **U.S. Cl.** **D30/132; D30/121; D30/129**

(58) **Field of Classification Search** D30/121-133;
119/51.01, 61, 51.04, 53, 57.91, 54, 53.5,
119/52.4, 51.11, 63, 61.2, 52.1, 57.5, 57.6,
119/51.13, 62, 75, 500, 501; 239/7, 687,
239/379, 397.5; 222/199, 181.1, 181.2, 185.1,
222/557, 156, 485, 486, 548, 555; 220/200,
220/227, 247, 262; 221/174, 185.1, 289,
221/295, 296, 559; 454/35; 209/270, 283,
209/244; 52/194, 192; 49/279, 344, 357;
D34/28; D9/531, 549

See application file for complete search history.

(56) **References Cited**

U.S. PATENT DOCUMENTS

867,621	A *	10/1907	Tannehill	119/77
1,069,943	A *	8/1913	Haffey	119/77
1,533,627	A *	4/1925	Averill	222/586
1,571,409	A *	2/1926	Hayes	119/77
1,815,964	A *	7/1931	Boyer	119/77
1,835,964	A *	12/1931	Pech et al.	119/77
1,994,859	A *	3/1935	Langum	43/131
2,369,496	A *	2/1945	Sengbusch	222/586
2,573,802	A *	11/1951	Mitchell	119/77
2,690,280	A *	9/1954	Henningsen	222/457
3,112,733	A *	12/1963	Arnott	119/77
D225,618	S *	12/1972	Cantin	D9/524
3,720,184	A *	3/1973	Pearce	119/51.5
3,730,141	A *	5/1973	Manning et al.	119/51.5
D232,658	S *	9/1974	Fassauer	D30/121
D232,847	S *	9/1974	Okubo	D30/121
D248,658	S *	7/1978	Buffington	D7/301
D249,076	S *	8/1978	Meeker et al.	D30/132

D264,638	S *	5/1982	Maeda	D9/502
D280,709	S *	9/1985	Waring	D9/520
D288,293	S *	2/1987	Arvans	D9/500
4,840,143	A *	6/1989	Simon	119/52.1
D309,231	S *	7/1990	Larson	D7/313
D326,977	S *	6/1992	Larson	D7/313
D331,647	S *	12/1992	Embree	D30/124
D335,744	S *	5/1993	Small et al.	D34/39
D343,030	S *	1/1994	Harwick, Jr.	D30/128
5,368,197	A *	11/1994	Sutera	222/67
D358,629	S *	5/1995	Wefler	D22/122

(Continued)

Primary Examiner — Susan Moon Lee

(74) *Attorney, Agent, or Firm* — Jacobson Holman PLLC

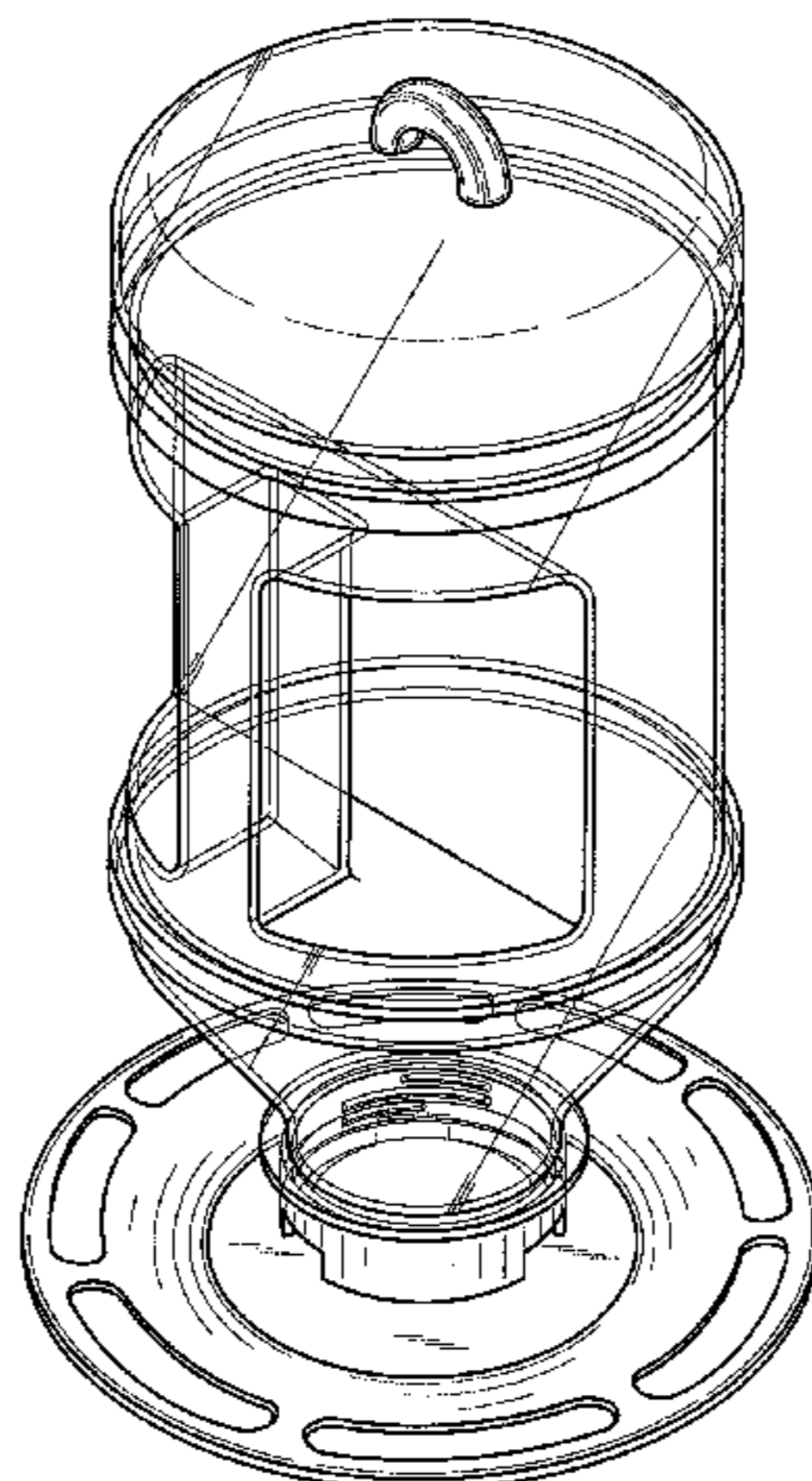
(57) **CLAIM**

The ornamental design for a cooler waterer, as shown and described.

DESCRIPTION

FIG. 1 is a perspective view showing my new design for a cooler waterer,
 FIG. 2 is a top view thereof,
 FIG. 3 is a bottom view thereof,
 FIG. 4 is a right side view thereof,
 FIG. 5 is a left side view thereof,
 FIG. 6 is a front view thereof,
 FIG. 7 is a rear view thereof,
 FIG. 8 is a front perspective view of the bottle portion of the cooler waterer, shown separately, disassembled from the tray portion of the waterer for clarity;
 FIG. 9 is a top view thereof,
 FIG. 10 is a bottom view thereof,
 FIG. 11 is a right side view thereof,
 FIG. 12 is a left side view thereof,
 FIG. 13 is a front view thereof,
 FIG. 14 is a rear view thereof,
 FIG. 15 is a front perspective view of the tray portion of the cooler waterer, shown separately, disassembled from the bottle portion of the waterer for clarity;
 FIG. 16 is a front perspective view thereof, rotated 120° counterclockwise,
 FIG. 17 is a front perspective view thereof, rotated another 120° counterclockwise,
 FIG. 18 is a top view thereof,
 FIG. 19 is a bottom view thereof; and,
 FIG. 20 is a front view thereof.

1 Claim, 15 Drawing Sheets



US D674,562 S

U.S. PATENT DOCUMENTS

5,423,291	A *	6/1995	Daugherty	119/77	6,789,503	B1 *	9/2004	Gao	119/51.11
D360,830	S *	8/1995	Hestehave et al.	D9/520	D497,224	S *	10/2004	Remy	D30/121
D361,039	S *	8/1995	Rokus	D9/531	6,868,801	B2 *	3/2005	Rovira Badia et al.	119/51.5
D364,942	S *	12/1995	VanSkiver et al.	D30/121	6,880,484	B1 *	4/2005	Lee	119/74
D365,491	S *	12/1995	Hui	D7/311	6,910,596	B2 *	6/2005	Herckner	215/398
D370,747	S *	6/1996	Madigan	D30/124	6,928,954	B2 *	8/2005	Krishnamurthy	119/51.5
D371,643	S *	7/1996	Lillelund et al.	D30/122	D512,595	S *	12/2005	Claassen	D7/306
D374,109	S *	9/1996	Lillelund et al.	D30/121	D513,928	S *	1/2006	Birdsell et al.	D7/397
D374,516	S *	10/1996	Lillelund et al.	D30/132	7,040,249	B1 *	5/2006	Mushen	119/51.5
5,611,459	A *	3/1997	Hinch	222/67	D531,512	S *	11/2006	Yu	D9/531
D378,883	S *	4/1997	Magnusson	D7/306	D537,353	S *	2/2007	Bailey et al.	D9/540
5,687,783	A *	11/1997	Finnegan	141/364	D540,492	S *	4/2007	Gorr	D30/131
5,699,753	A *	12/1997	Aldridge, III	119/52.1	7,234,418	B2 *	6/2007	Fort et al.	119/72
5,711,248	A *	1/1998	Boyd	119/77	D563,791	S *	3/2008	Kleckauskas et al.	D9/531
5,730,082	A *	3/1998	Newman	119/51.5	D567,474	S *	4/2008	Rasmussen	D34/39
5,794,560	A *	8/1998	Terenzi	119/51.11	D581,272	S *	11/2008	Yourist et al.	D9/502
D397,942	S *	9/1998	Lewis	D9/531	D596,944	S *	7/2009	Mueller et al.	D9/516
5,829,386	A *	11/1998	Wenstrand	119/77	D606,709	S *	12/2009	McMullen	D30/127
D403,131	S *	12/1998	Bowell et al.	D30/132	D612,658	S *	3/2010	Schenk	D7/307
5,845,600	A *	12/1998	Mendes	119/51.5	D624,822	S *	10/2010	Lovelace et al.	D9/540
D405,004	S *	2/1999	Mudra et al.	D9/536	7,874,264	B2 *	1/2011	McMullen	119/52.2
D406,924	S *	3/1999	Kolozsvari	D30/121	D633,659	S *	3/2011	Lai	D30/121
D406,926	S *	3/1999	Kolozsvari	D30/132	D642,335	S *	7/2011	Weber	D30/121
D419,885	S *	2/2000	Gonzalez C.	D9/531	D651,854	S *	1/2012	Cabados	D7/511
6,079,361	A *	6/2000	Bowell et al.	119/72	D655,053	S *	2/2012	Weber	D30/121
D433,636	S *	11/2000	Gonzalez C.	D9/531	D656,690	S *	3/2012	Tu	D30/127
D436,282	S *	1/2001	Kauzlarich et al.	D7/306	D664,304	S *	7/2012	Whelan	D30/122
D443,780	S *	6/2001	Kauzlarich et al.	D6/542	8,245,665	B2 *	8/2012	Willett	119/51.5
D455,526	S *	4/2002	Chrisco et al.	D30/121	2002/0096120	A1 *	7/2002	Busha	119/51.5
6,401,657	B1 *	6/2002	Krishnamurthy	119/51.11	2003/0173328	A1 *	9/2003	Herckner	215/398
6,467,428	B1 *	10/2002	Andrisin et al.	119/51.5	2004/0118356	A1 *	6/2004	Krishnamurthy	119/74
6,477,981	B1 *	11/2002	Harper	119/52.4	2007/0108232	A1 *	5/2007	Loebach	222/143
D474,692	S *	5/2003	Yu	D9/531	2008/0257273	A1 *	10/2008	Carter et al.	119/72
D487,701	S *	3/2004	Thibodeau et al.	D9/531	2010/0032406	A1 *	2/2010	Magata	215/396
6,739,284	B1 *	5/2004	Olive	119/74	2010/0122660	A1 *	5/2010	Willett	119/51.5

* cited by examiner

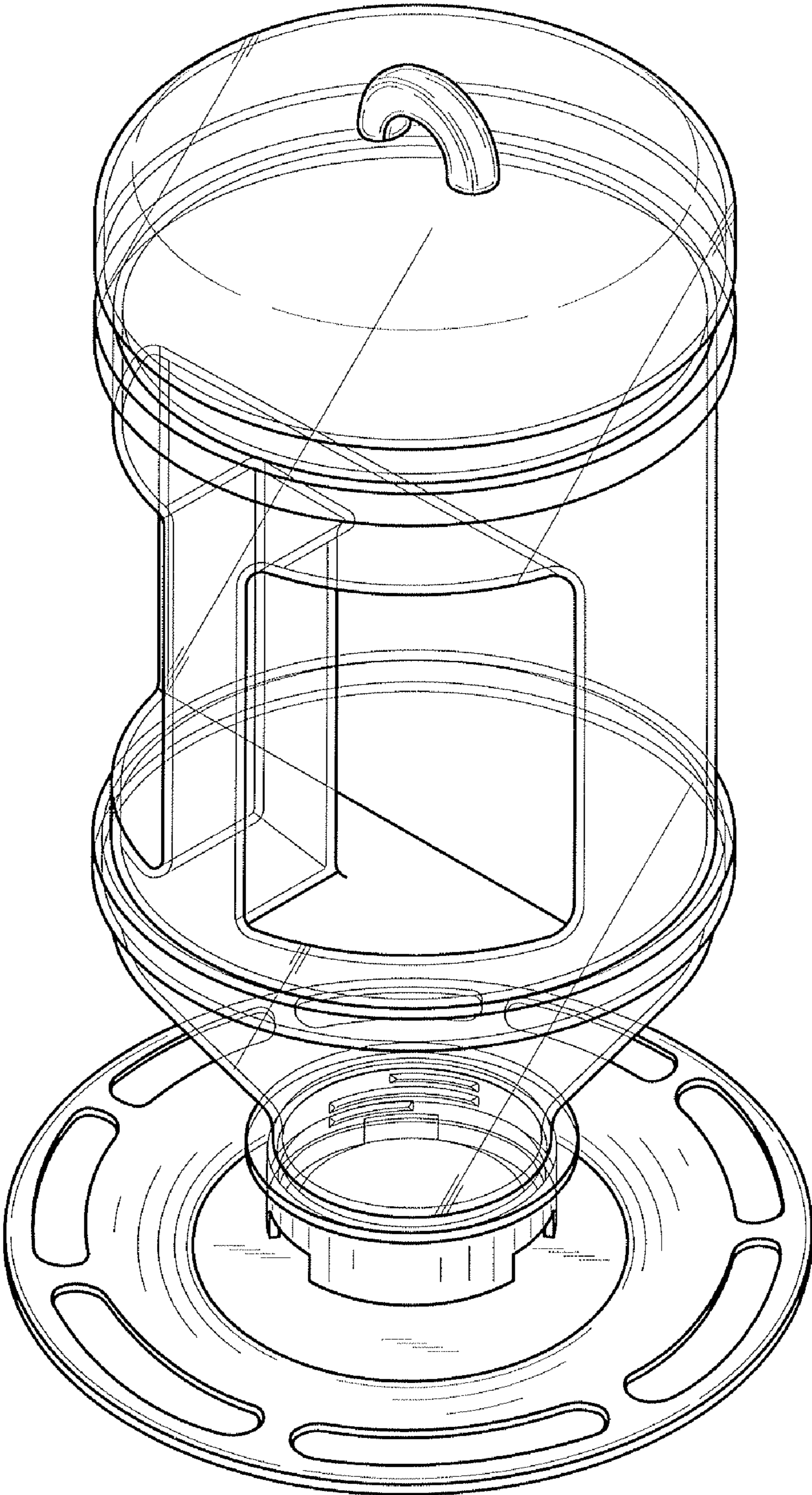


FIG. 1

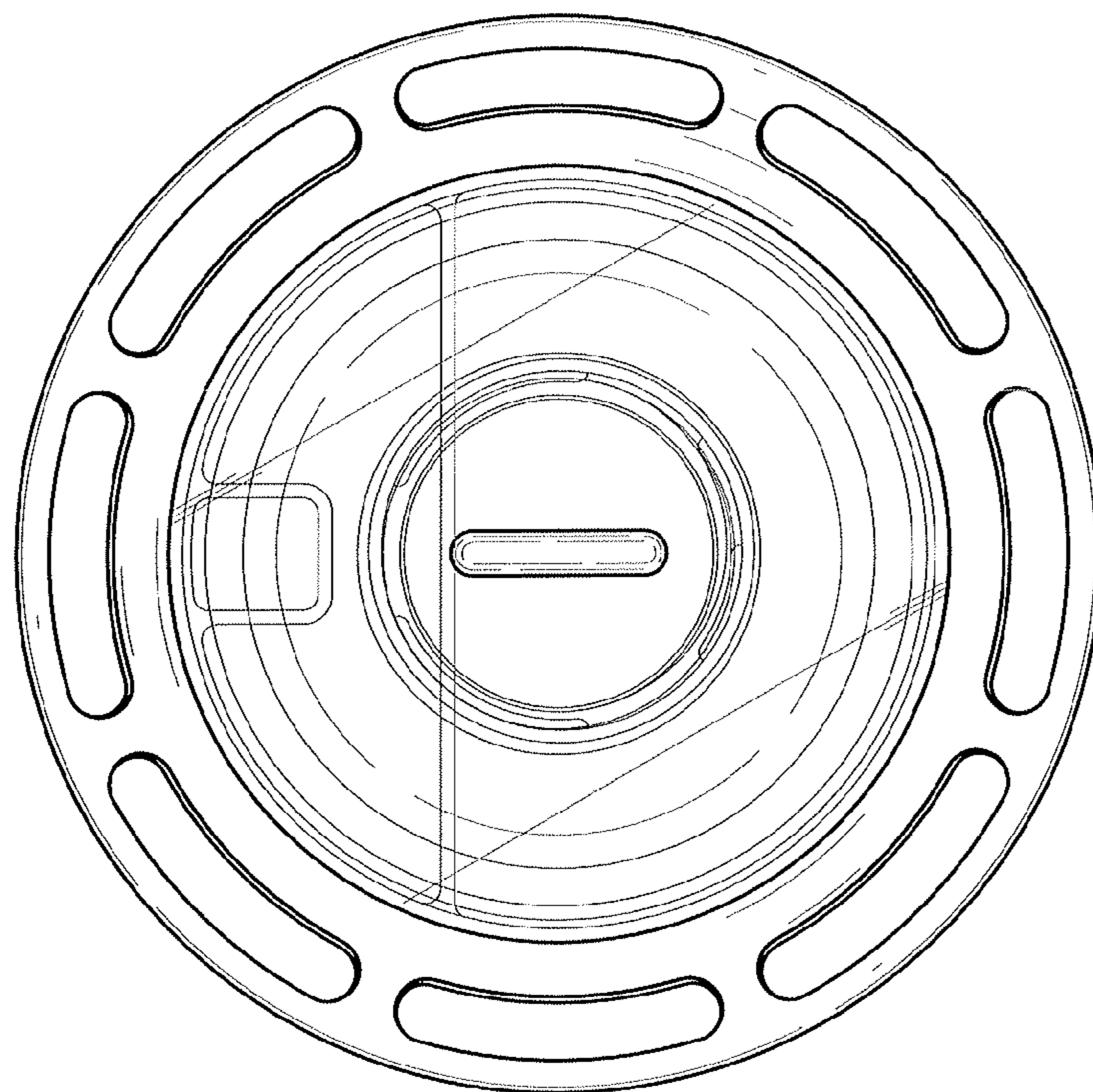


FIG. 2

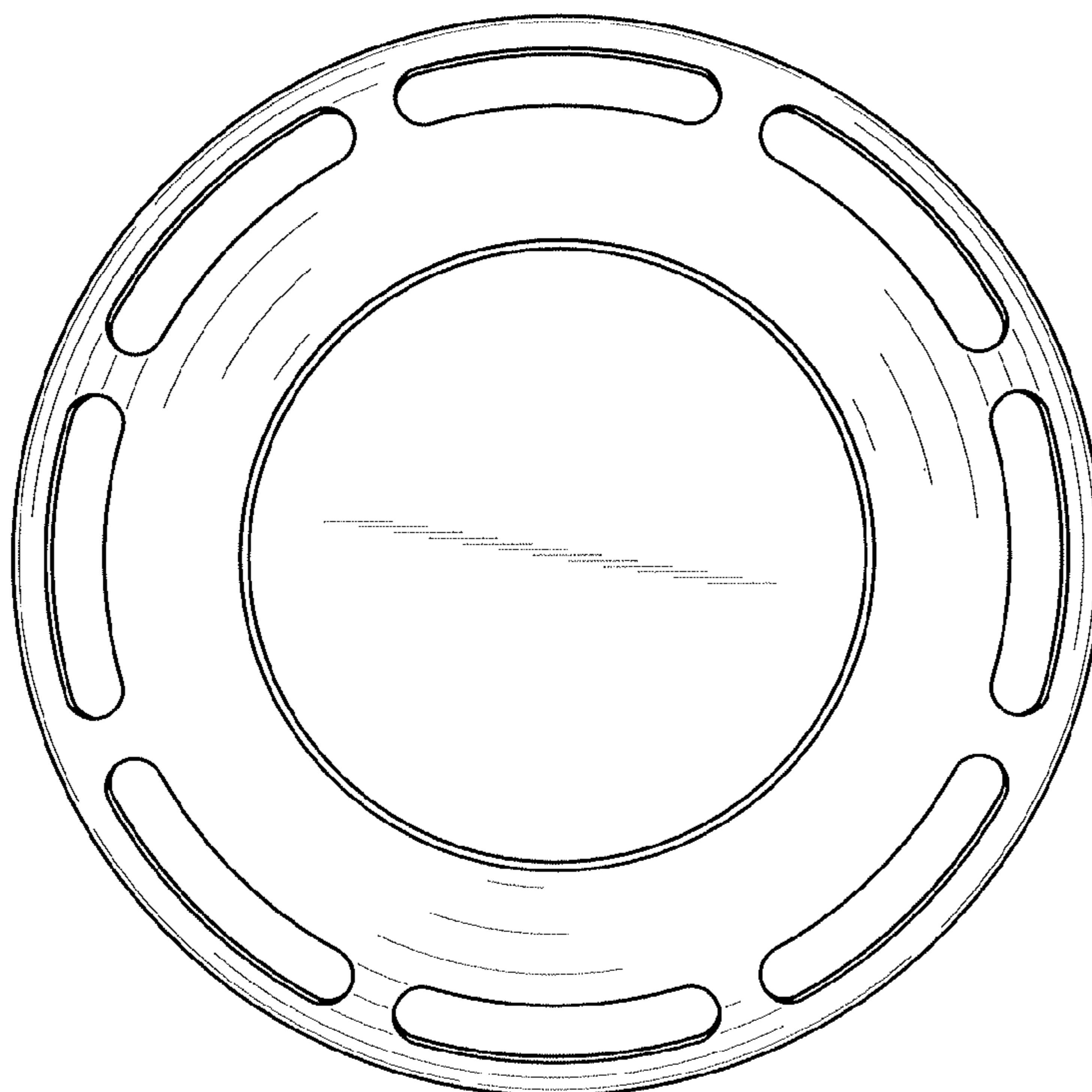


FIG. 3

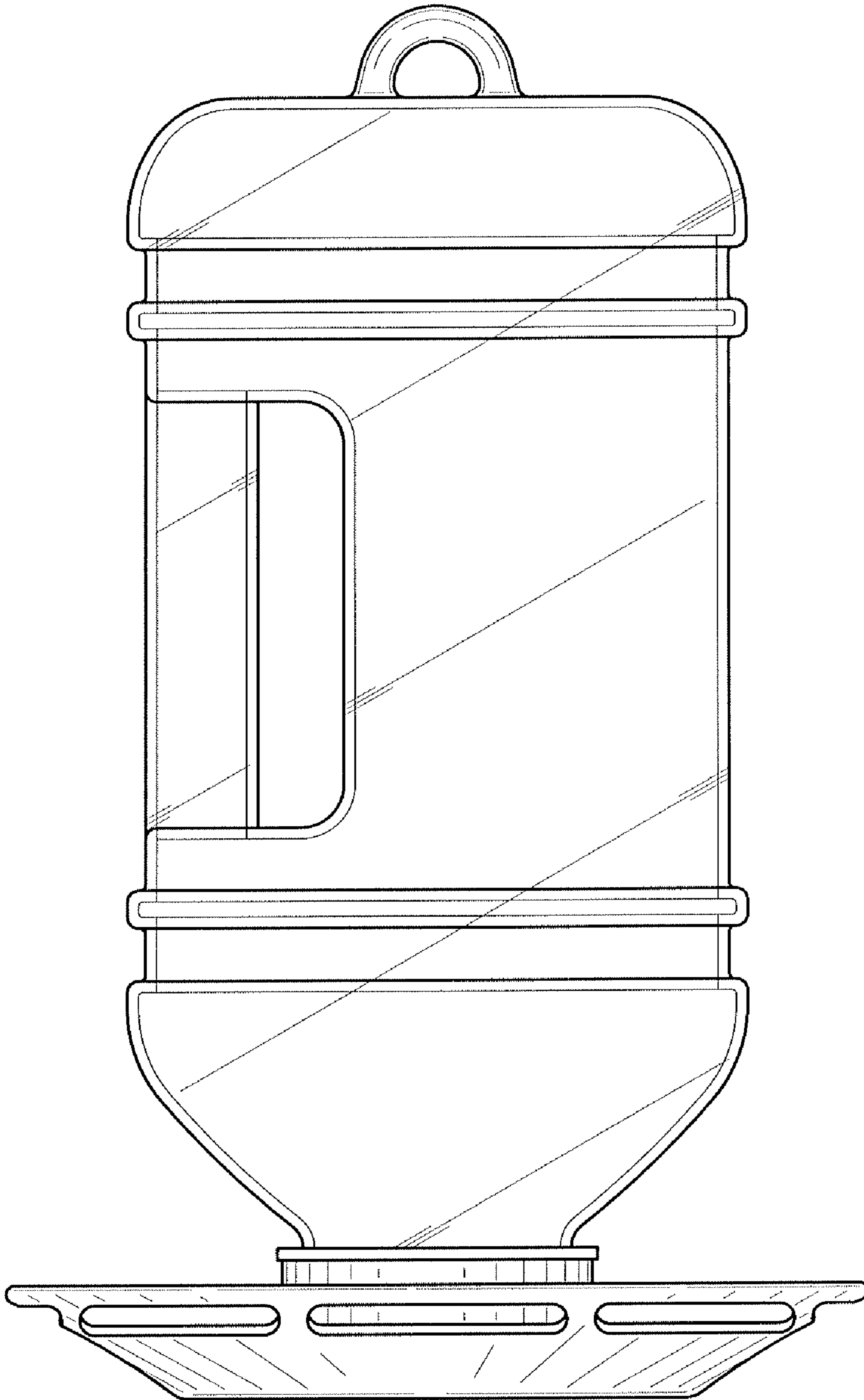


FIG. 4

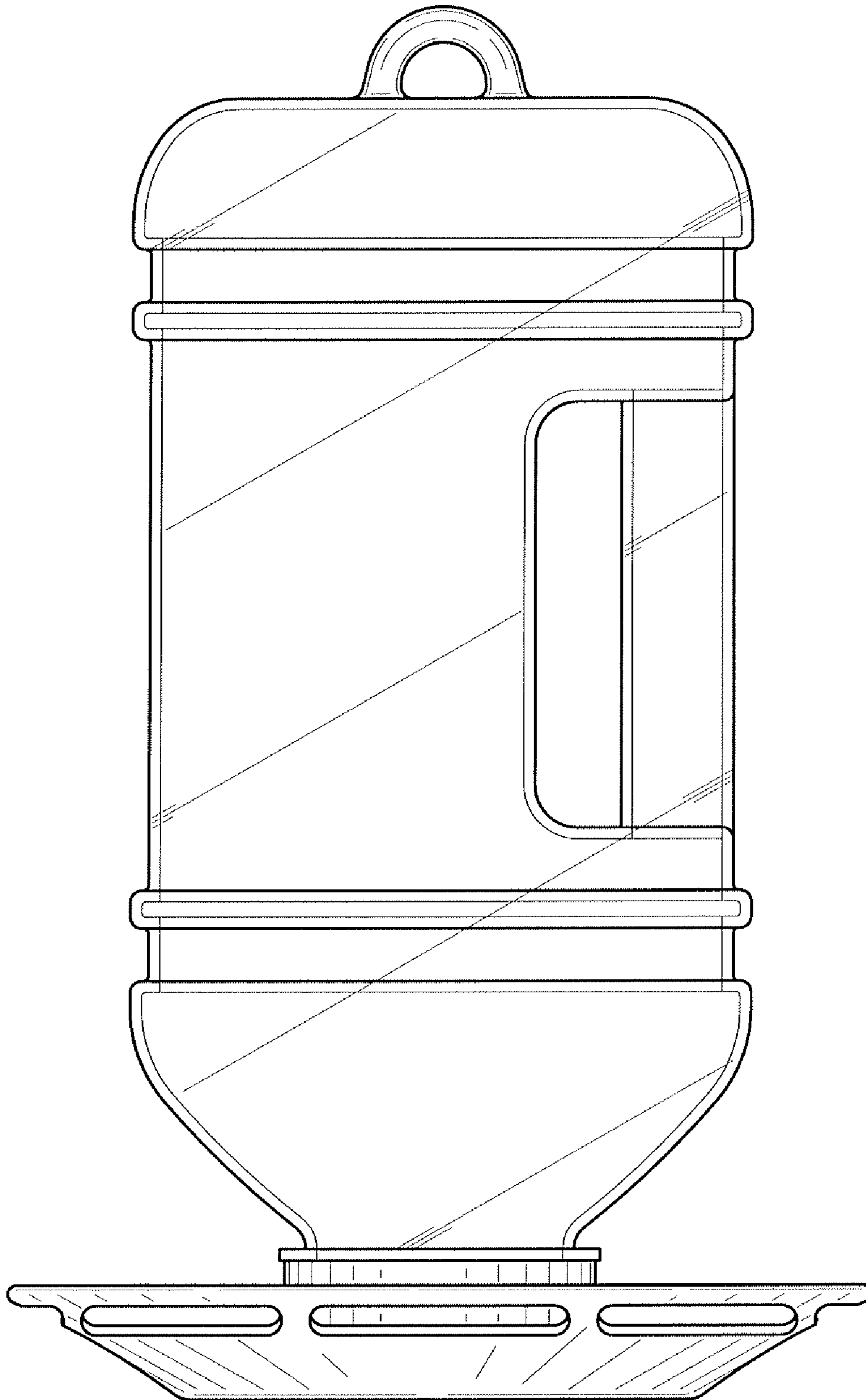


FIG. 5

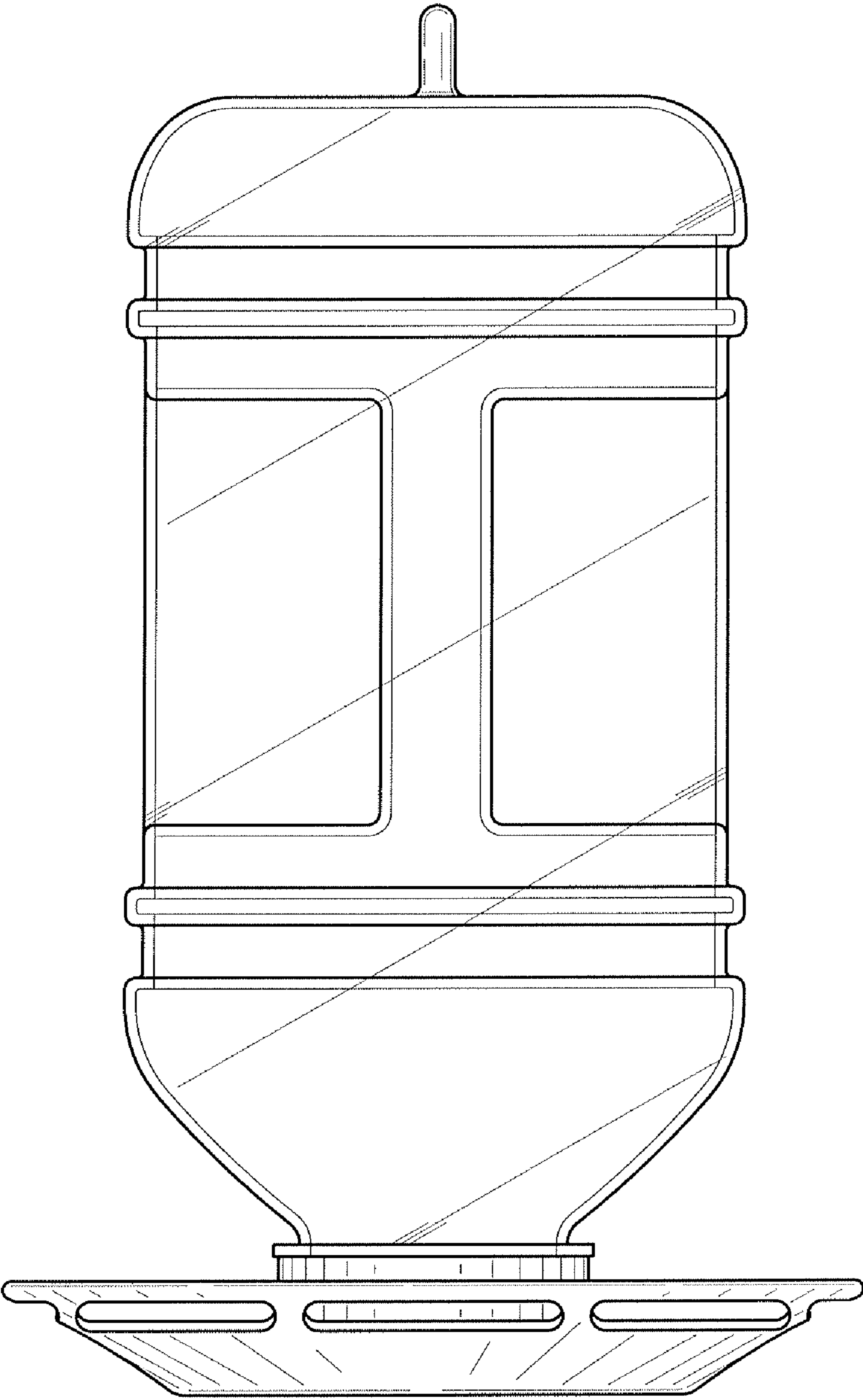


FIG. 6

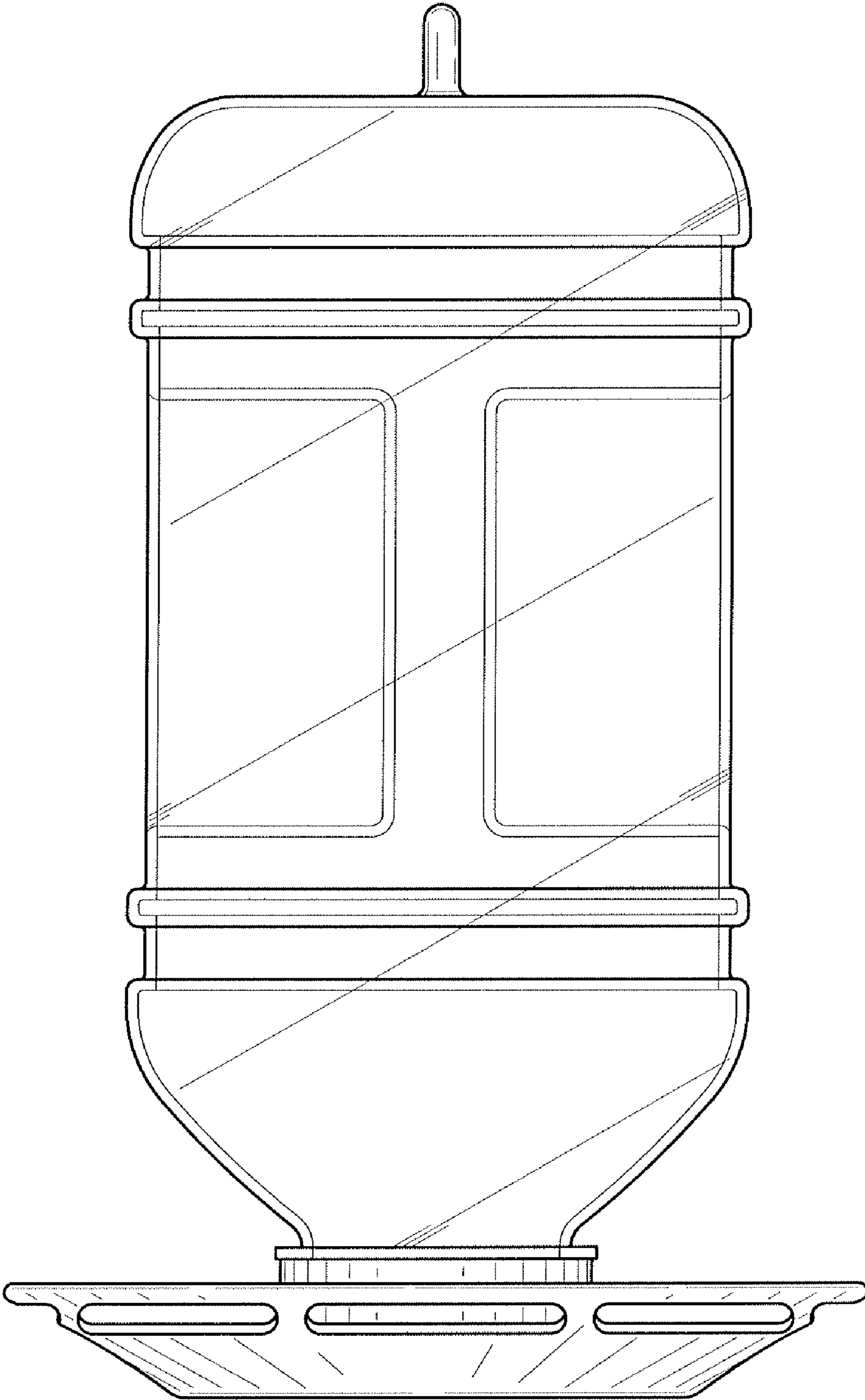


FIG. 7

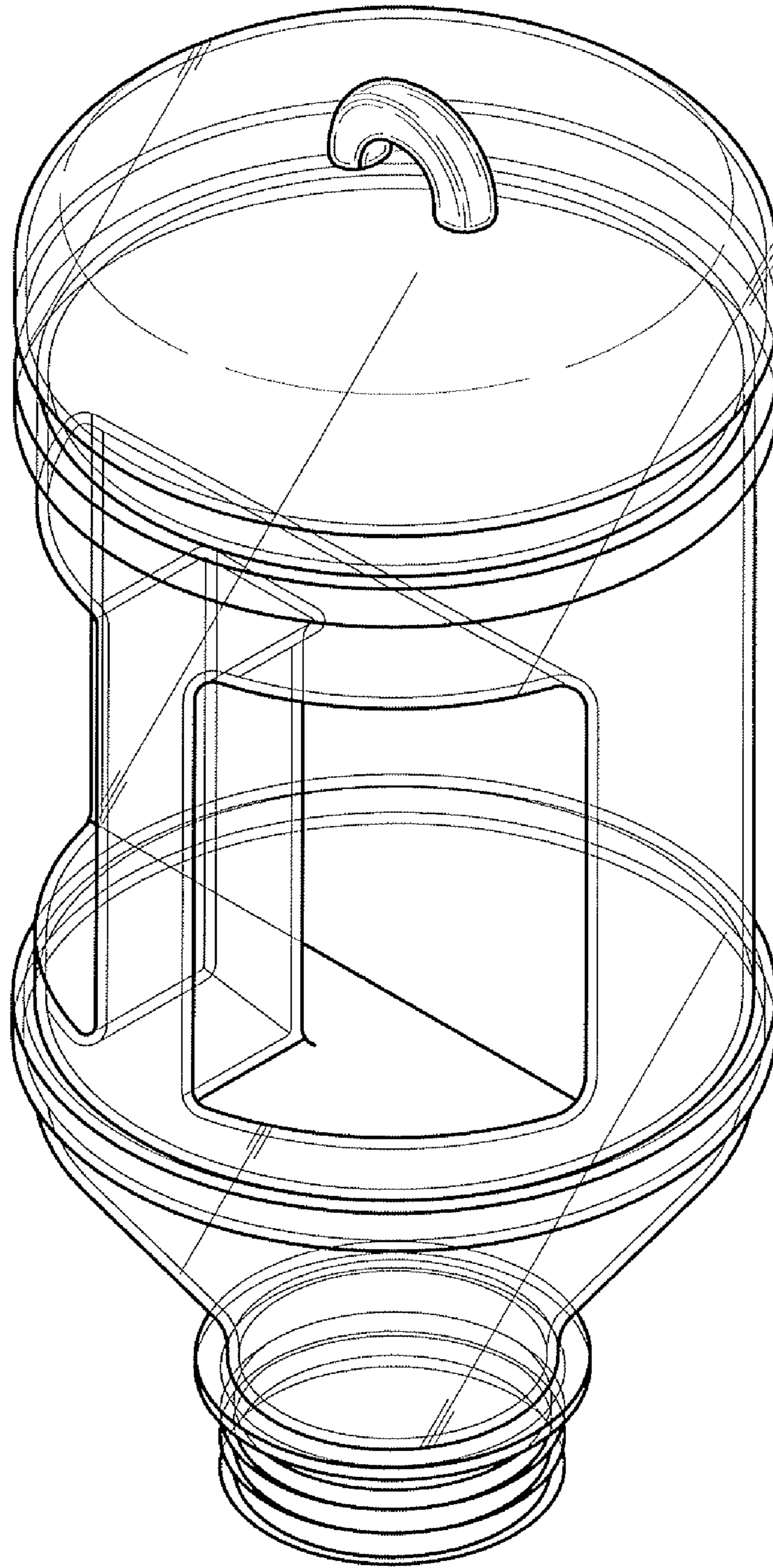


FIG. 8

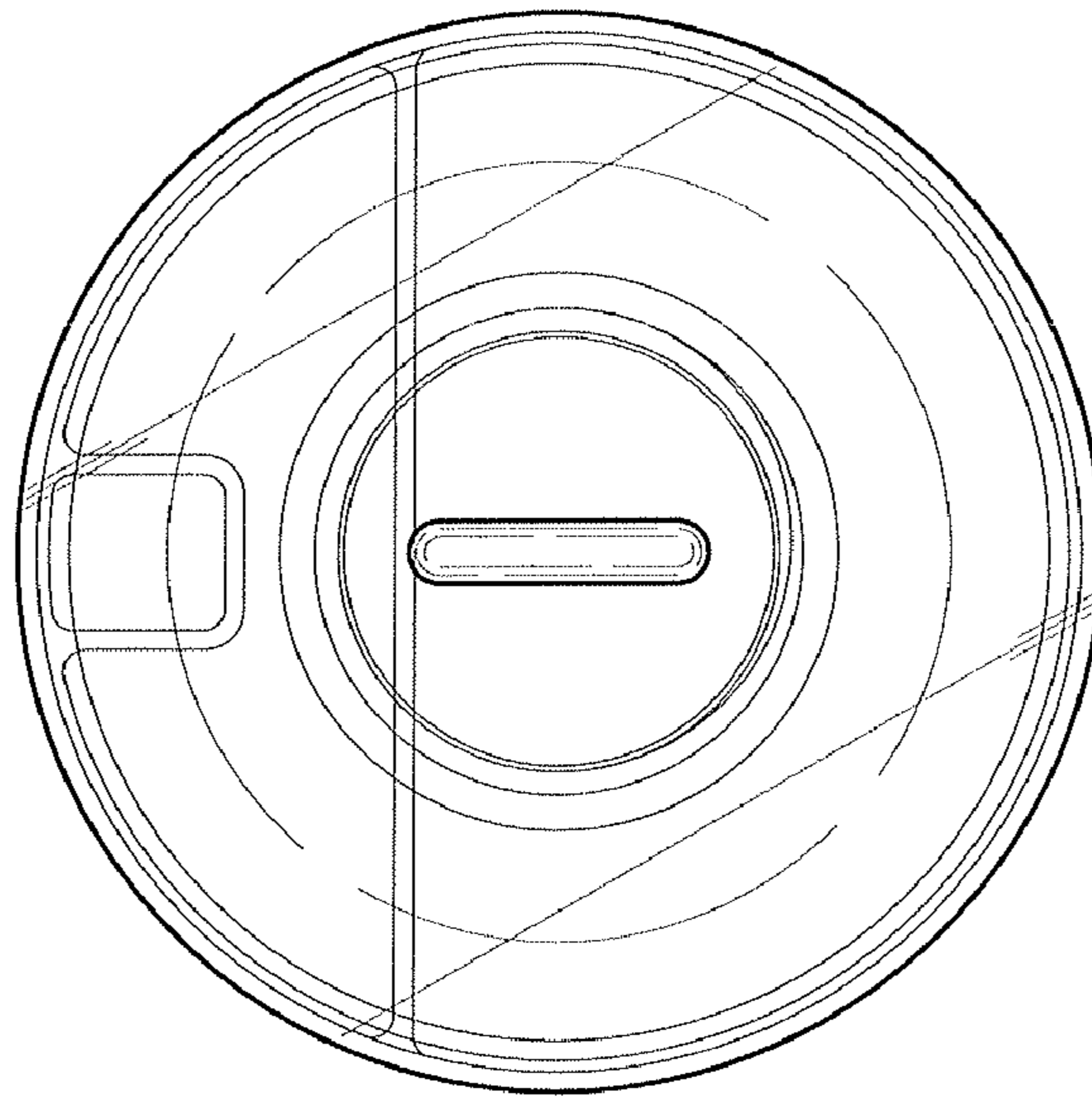


FIG. 9

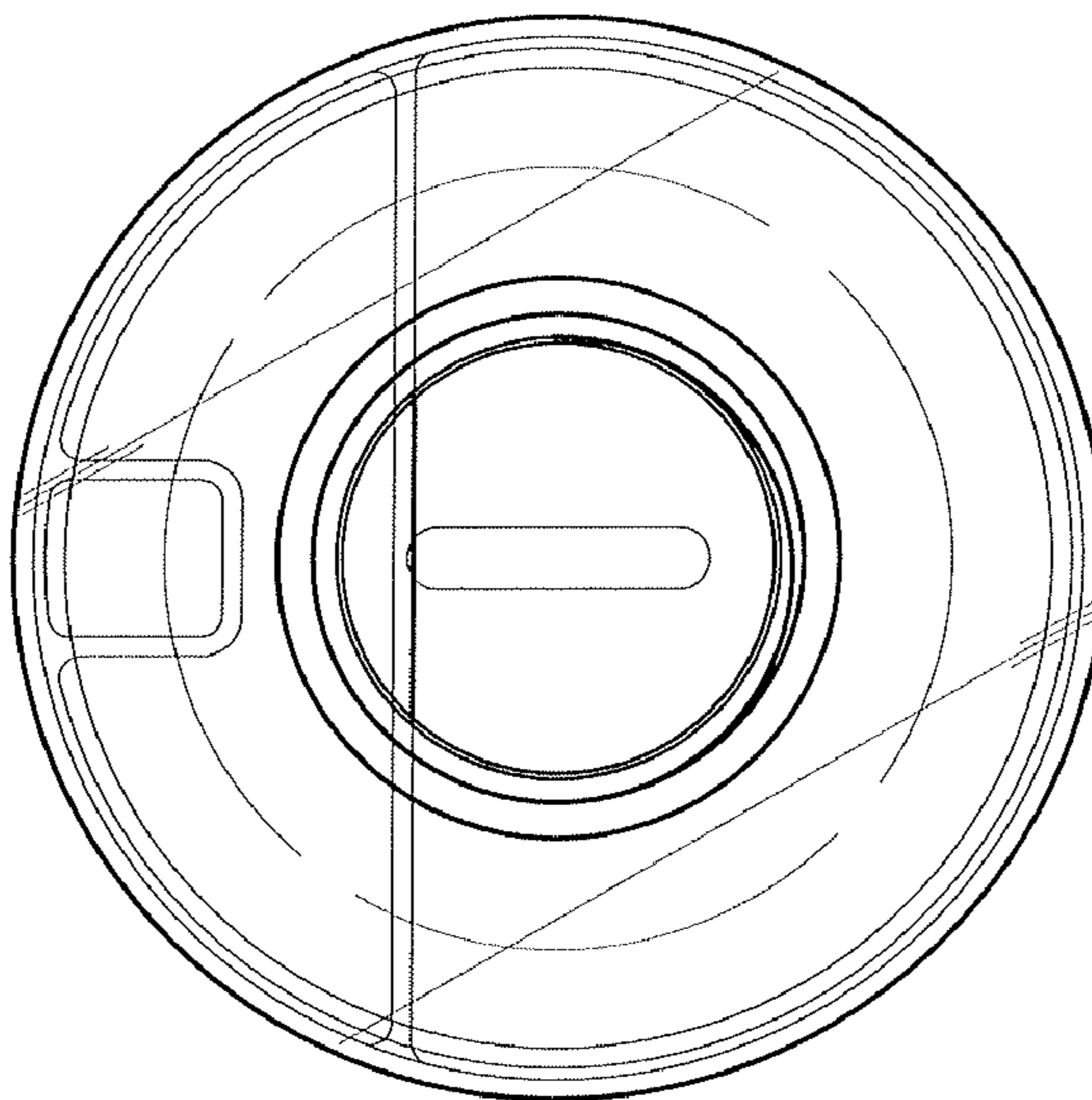


FIG. 10

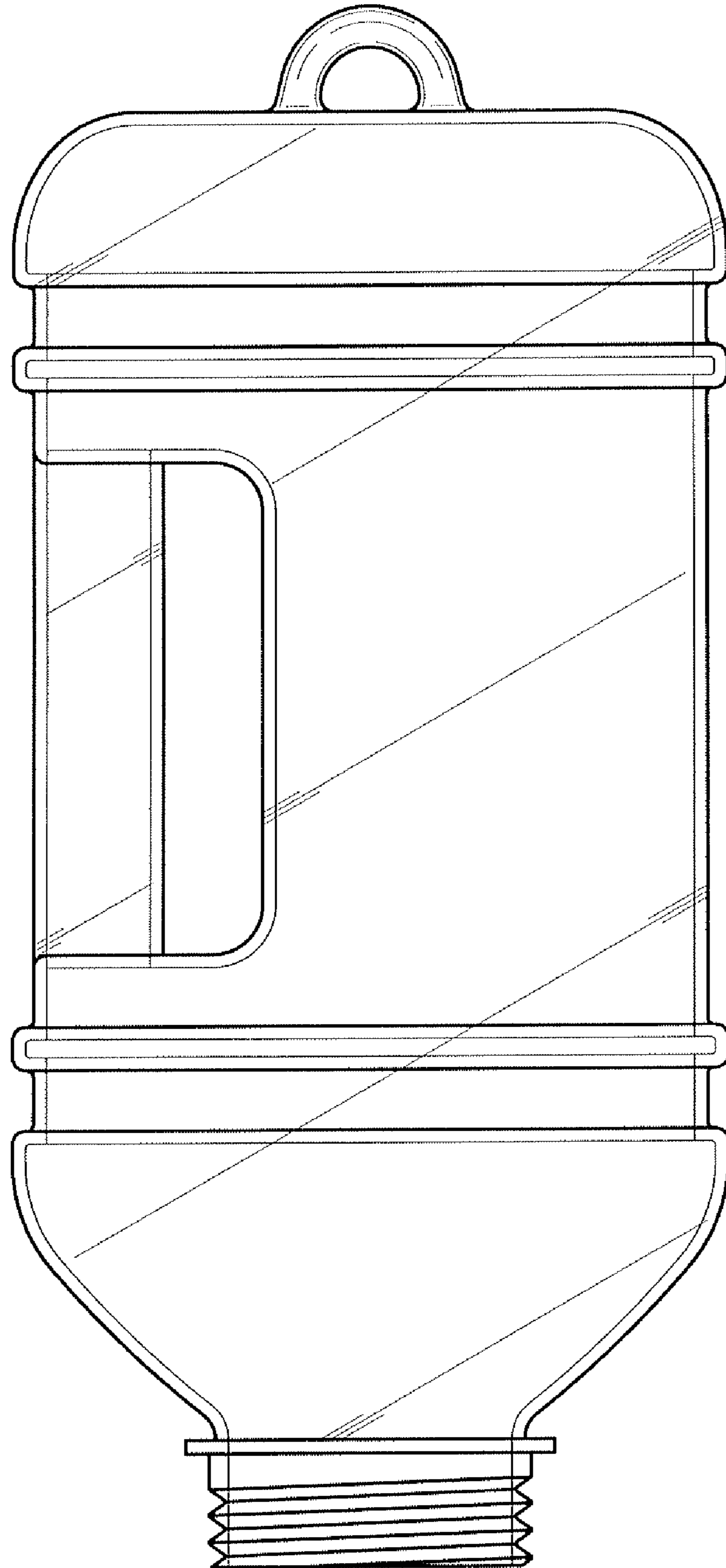


FIG. 11

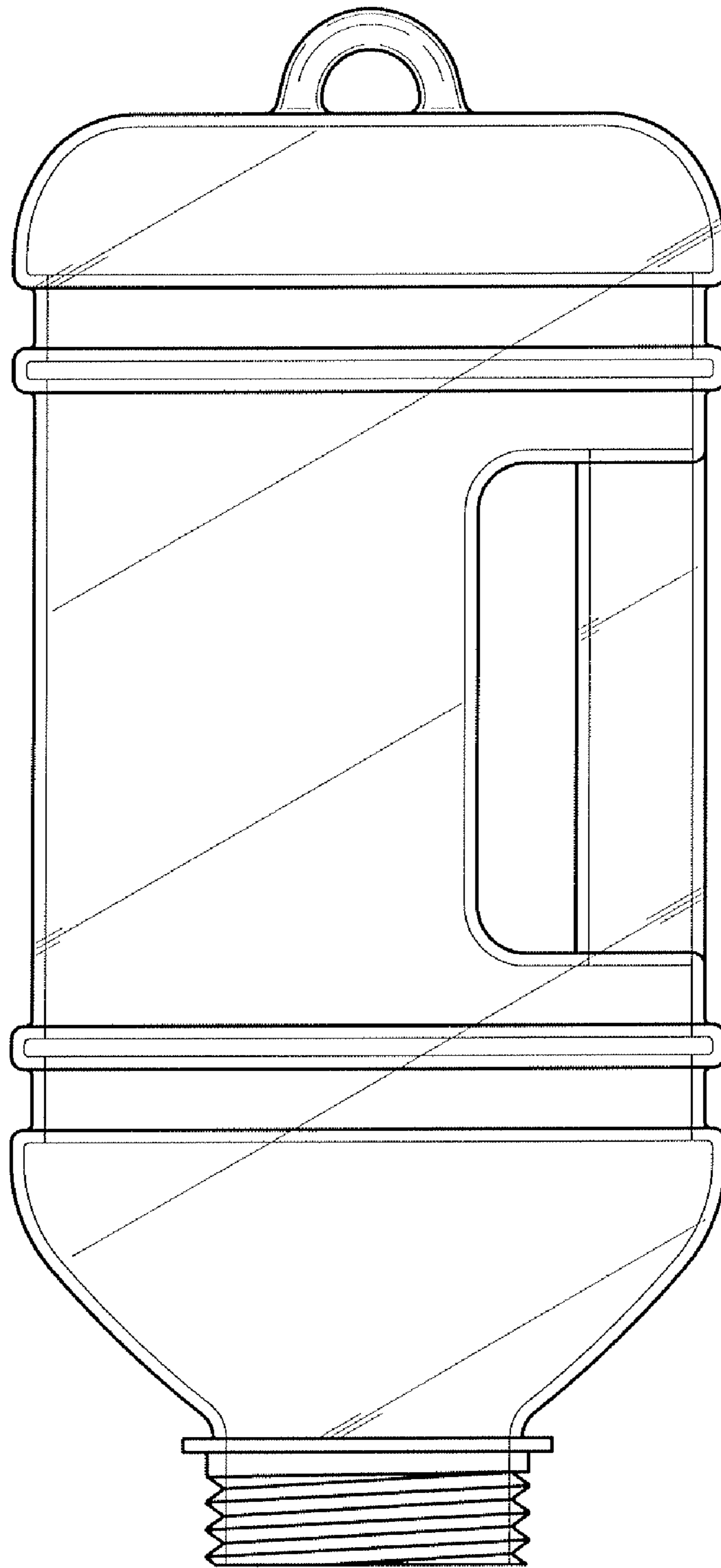


FIG. 12

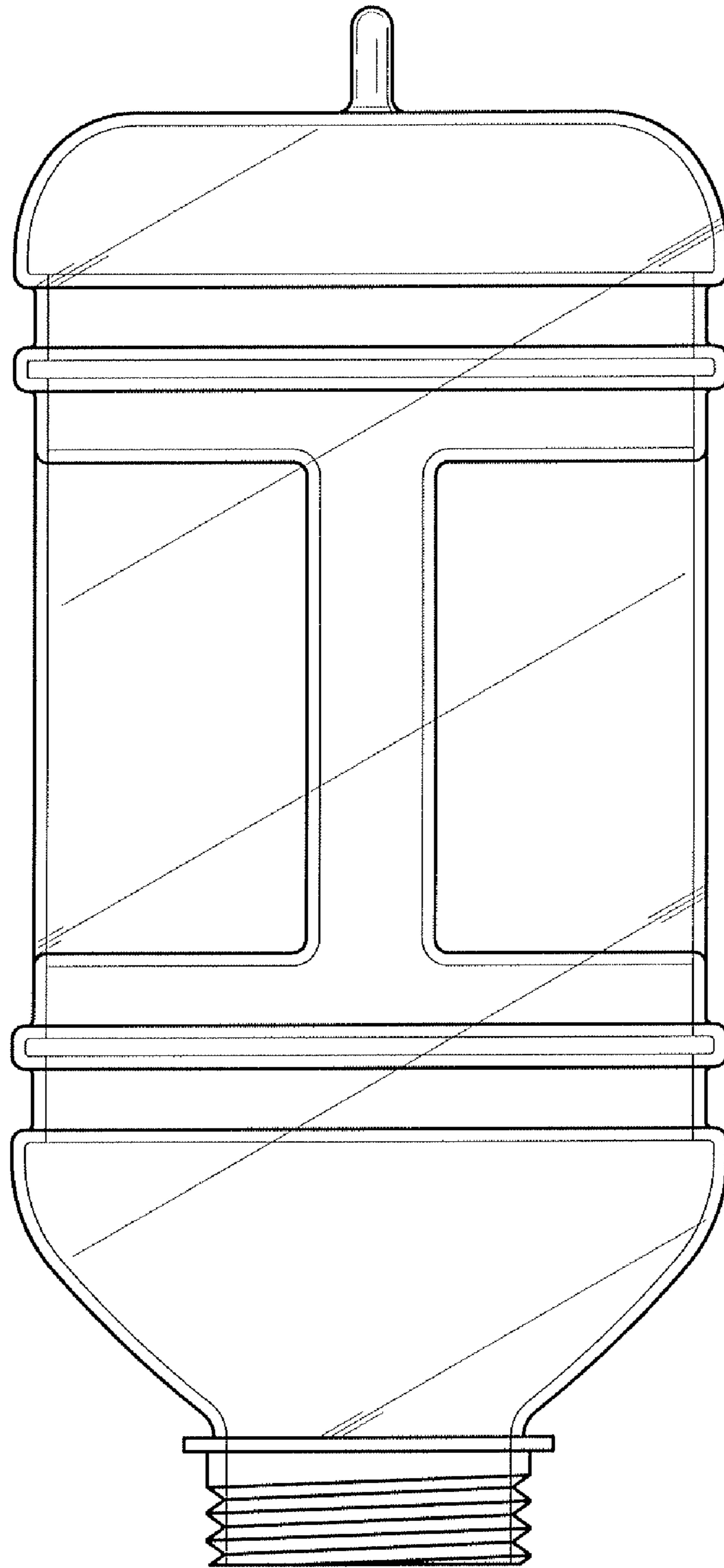


FIG. 13

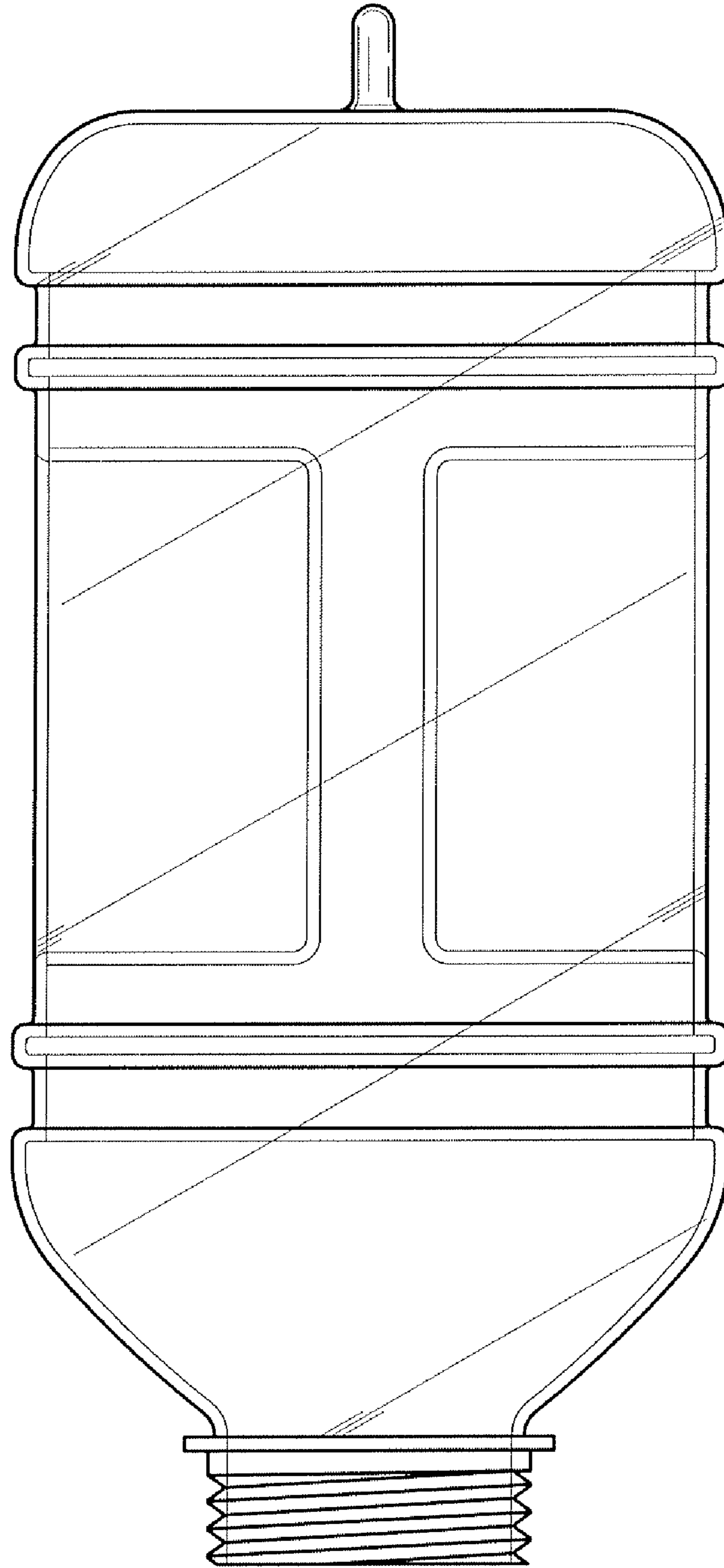


FIG. 14

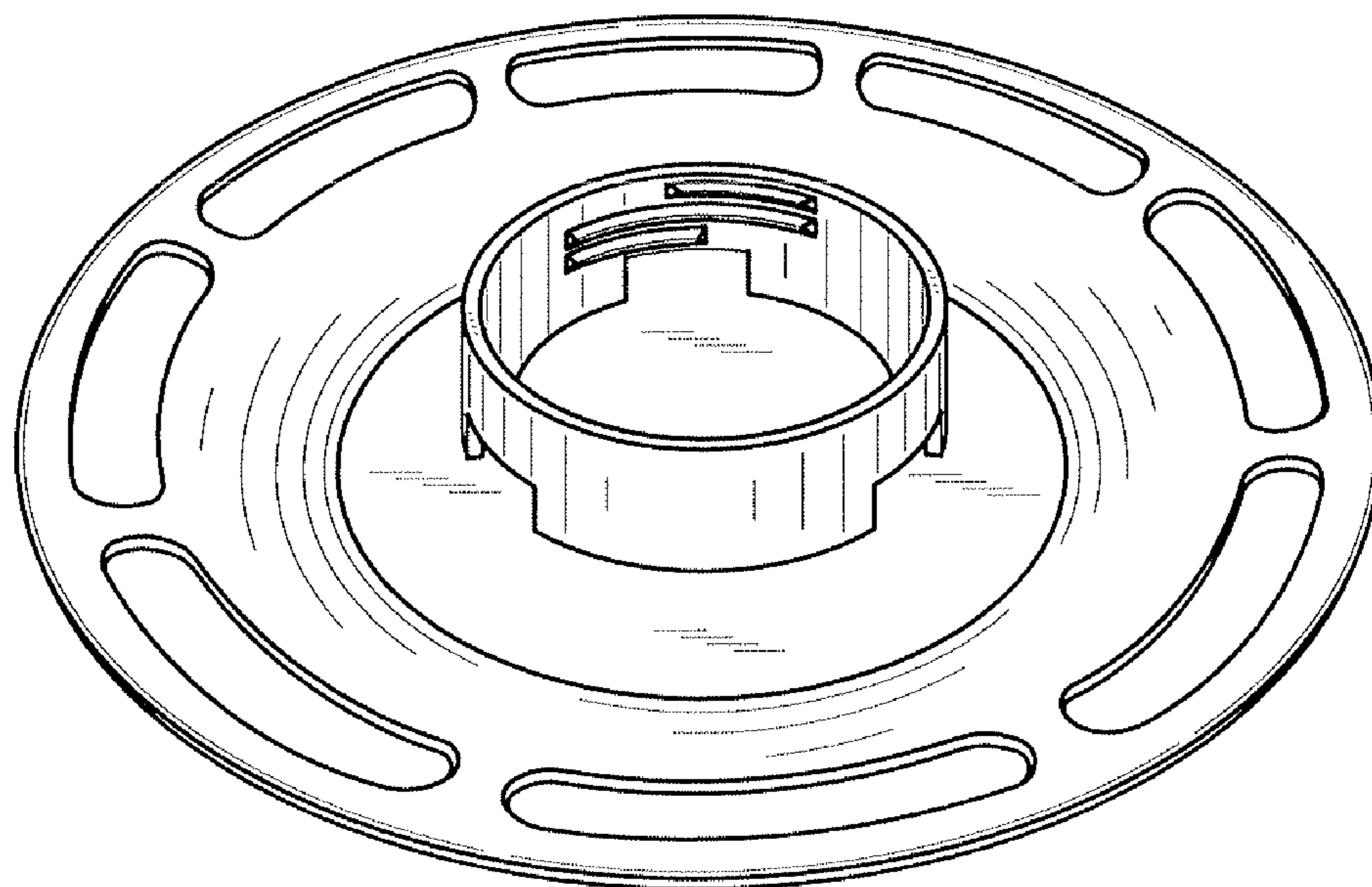


FIG. 15

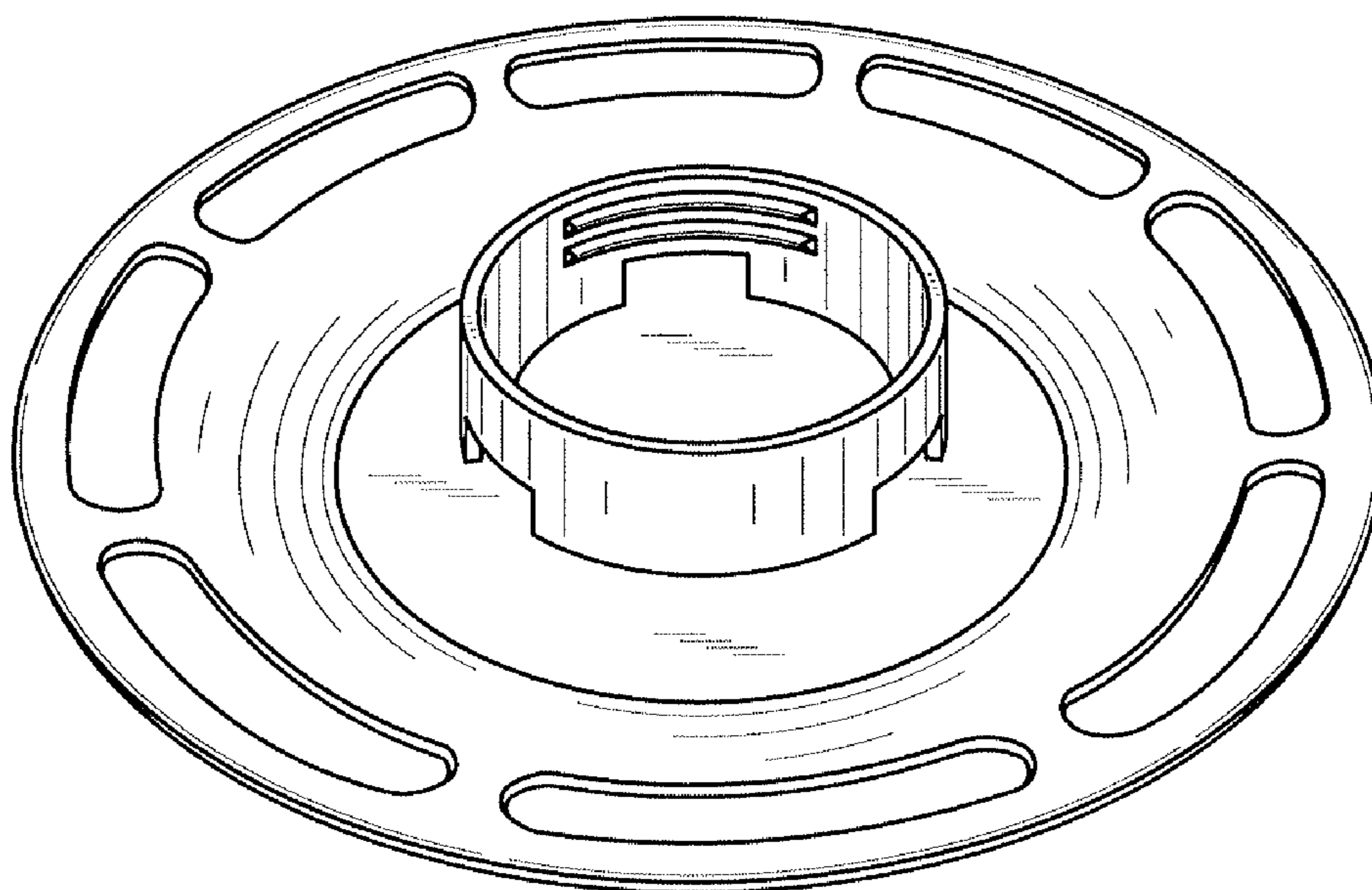


FIG. 16

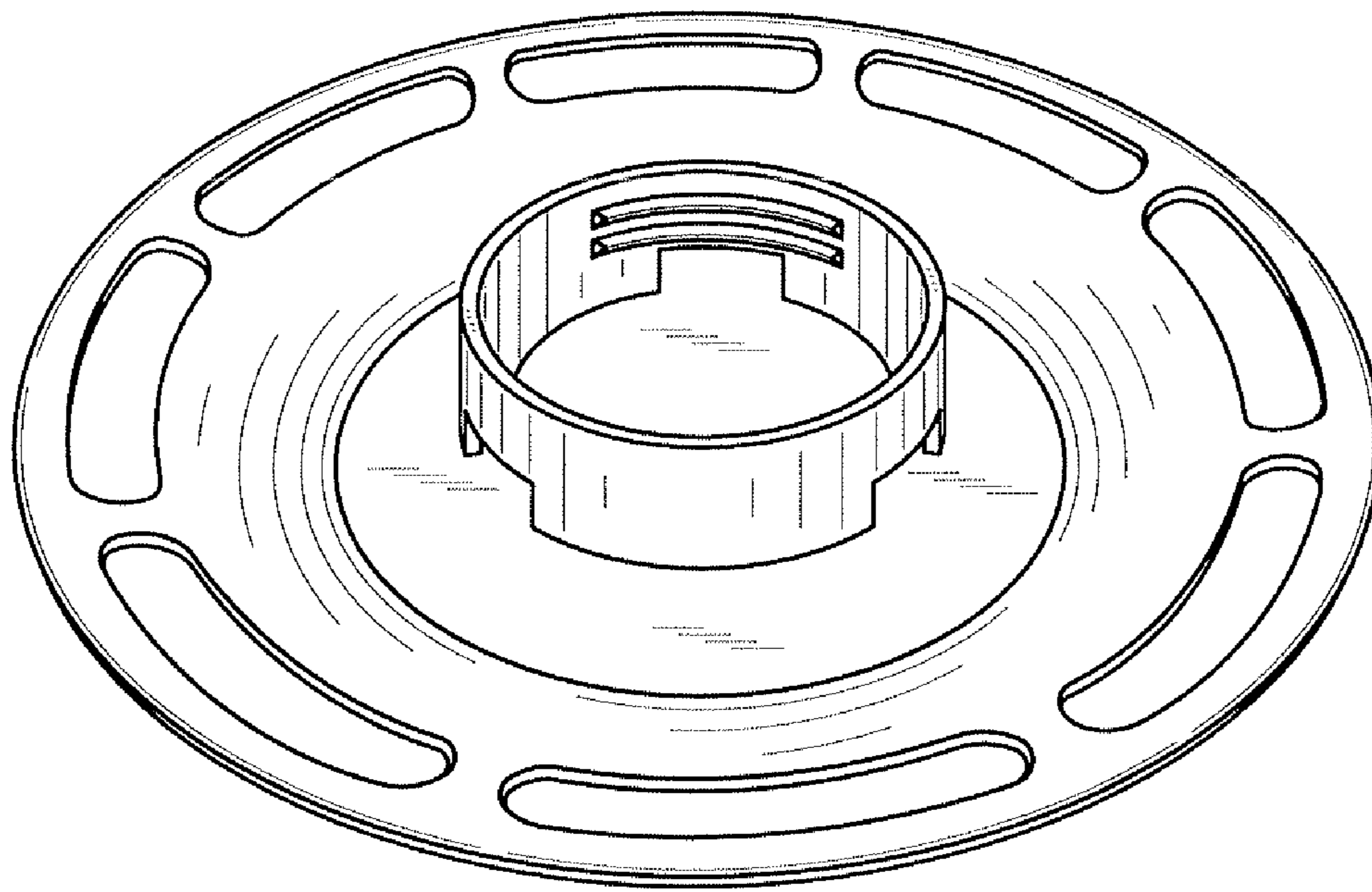


FIG. 17

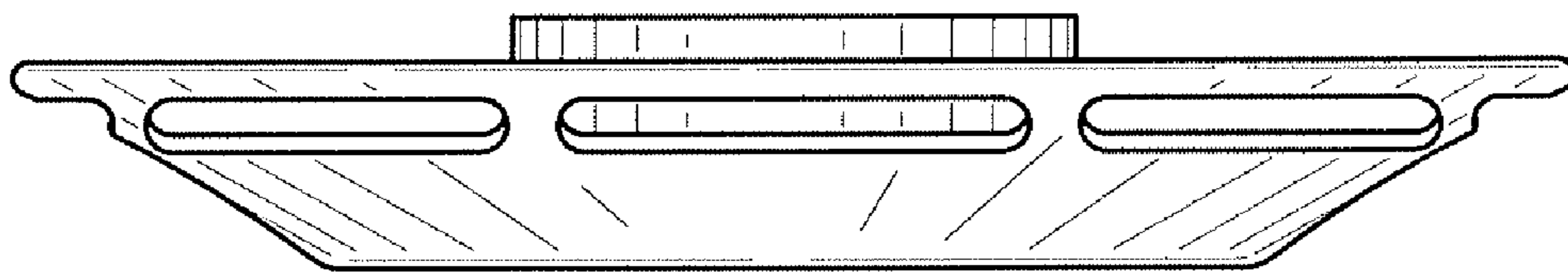


FIG. 20

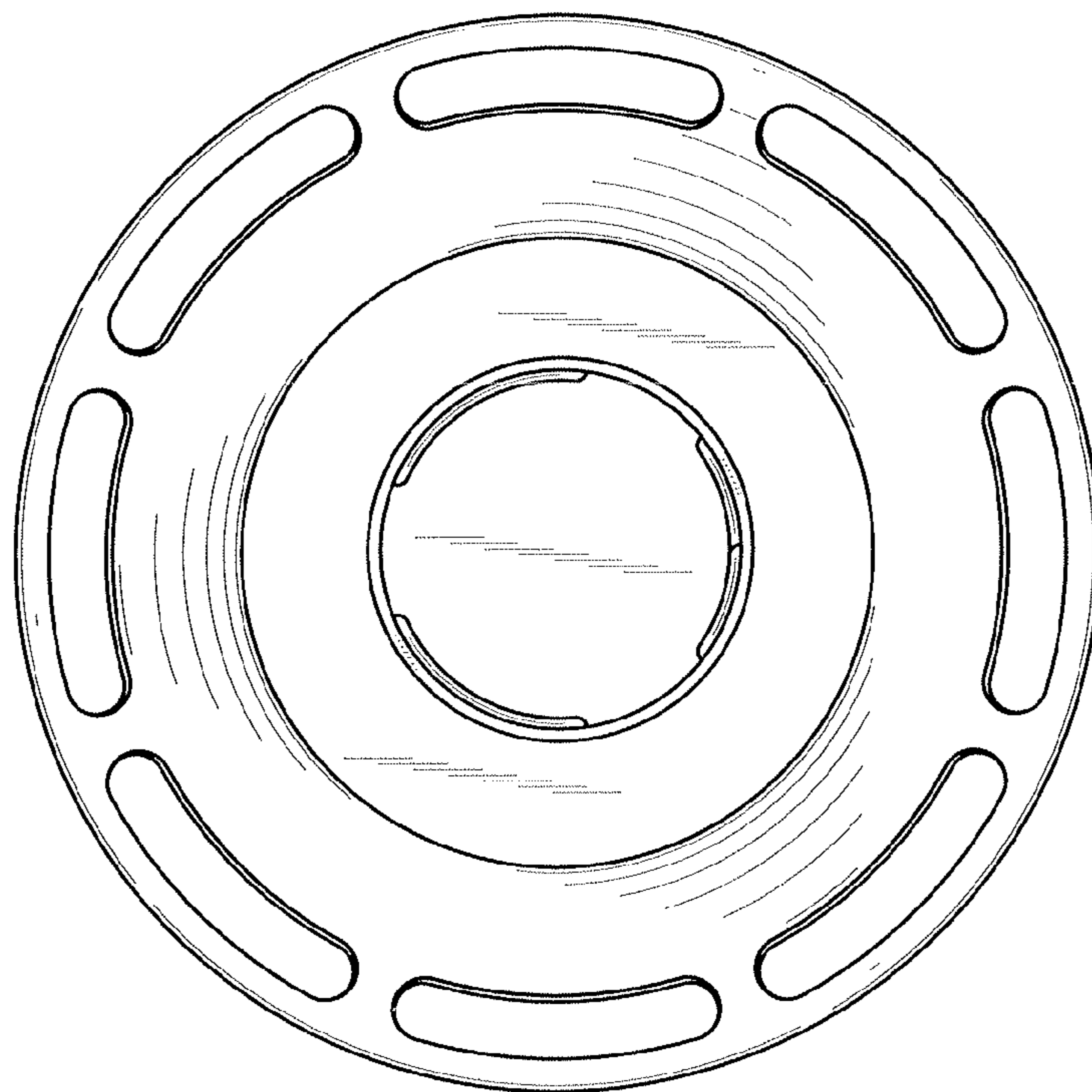


FIG. 18

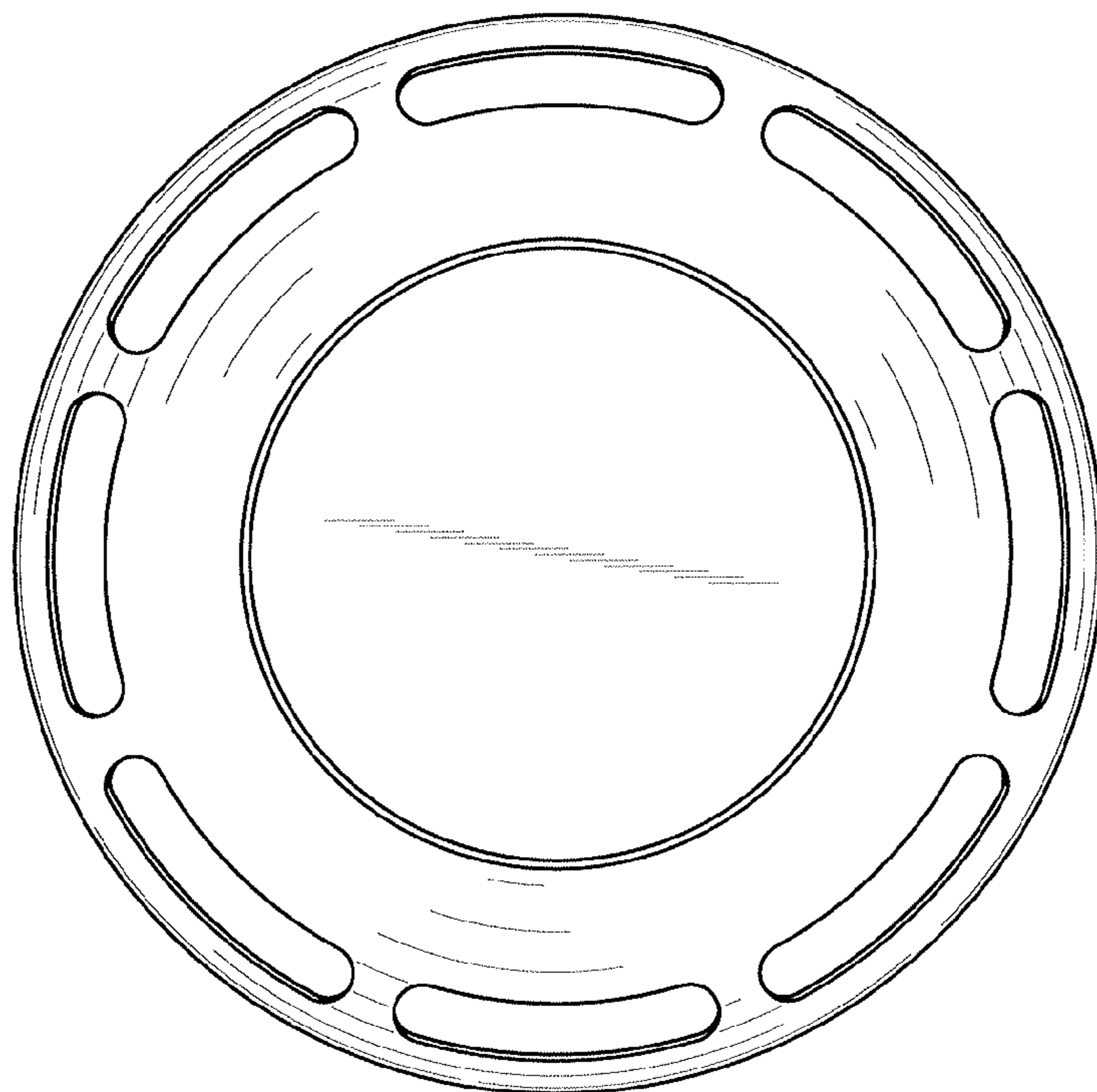


FIG. 19