



US00D674560S

(12) **United States Design Patent**
Klotz et al.

(10) **Patent No.:** **US D674,560 S**
(45) **Date of Patent:** **** Jan. 15, 2013**

(54) **CHIN GUARD**

(75) Inventors: **Robert Klotz**, Jefferson Hills, PA (US);
Rebecca Kreke, Pittsburgh, PA (US);
Mark Hall, Spring Church, PA (US)

(73) Assignee: **Mine Safety Appliances Company**,
Cranberry Township, PA (US)

(**) Term: **14 Years**

(21) Appl. No.: **29/388,895**

(22) Filed: **Apr. 4, 2011**

(51) **LOC (9) Cl.** **29-02**

(52) **U.S. Cl.** **D29/122**

(58) **Field of Classification Search** D29/100,
D29/101.1, 101.2, 102, 105, 106, 108, 111,
D29/122; 2/9, 206, 424, 425, 455, 456, 468
See application file for complete search history.

(56) **References Cited**

U.S. PATENT DOCUMENTS

3,216,023	A *	11/1965	Morgan	2/9
D204,731	S *	5/1966	Dunning	D29/111
D207,479	S *	4/1967	Dunning	D29/111
3,478,365	A *	11/1969	Varga	2/424
D229,127	S *	11/1973	Franklin	D29/108
3,886,596	A *	6/1975	Franklin et al.	2/9
D243,128	S *	1/1977	Morgan	D29/108
4,042,974	A *	8/1977	Morgan et al.	2/9
D246,012	S *	10/1977	Minette	D29/108
5,384,914	A *	1/1995	Caveness et al.	2/9
6,289,521	B1 *	9/2001	Ikeda	2/421
D535,061	S *	1/2007	Evans et al.	D29/122
D548,893	S *	8/2007	Hedge et al.	D29/122
D548,894	S *	8/2007	Van Trojen	D29/122
D556,386	S *	11/2007	Lee et al.	D29/122
D560,315	S *	1/2008	Wong	D29/122
D632,439	S *	2/2011	Lebel et al.	D29/122
D632,440	S *	2/2011	Lebel et al.	D29/122

D638,172 S * 5/2011 Lebel et al. D29/122
2007/0250993 A1* 11/2007 Schimpf 2/424

* cited by examiner

Primary Examiner — Elizabeth J Oswecki

(74) *Attorney, Agent, or Firm* — Bartony & Associates, LLC

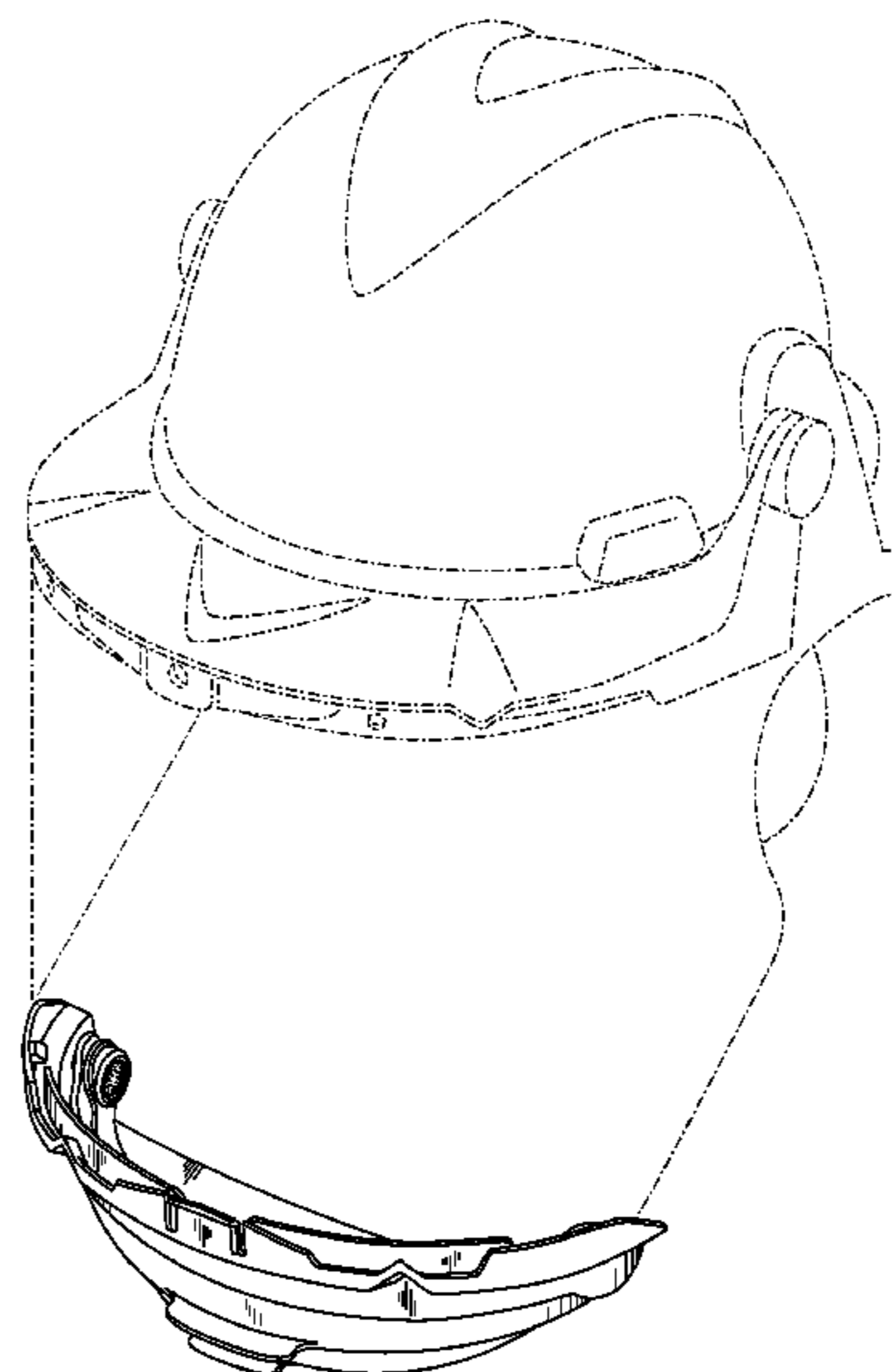
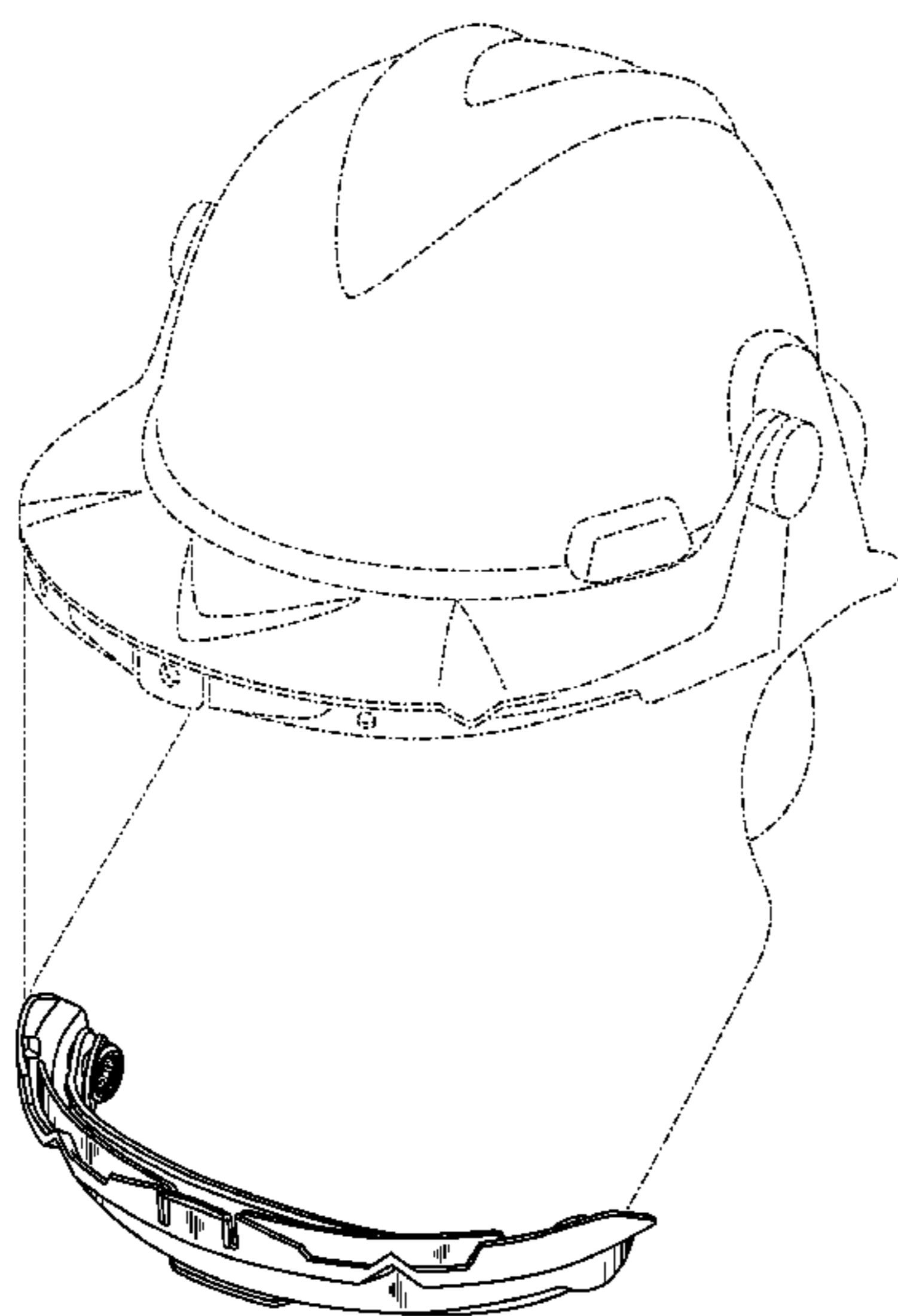
(57) **CLAIM**

The ornamental design for a chin guard, as shown and described.

DESCRIPTION

FIG. 1 is a perspective view of a chin guard showing our new design, shown in a retracted position;
 FIG. 2 is a perspective view thereof, shown in a non-retracted position;
 FIG. 3 is another perspective view thereof, shown in a retracted position and attached to a visor, wherein the visor is attached to a visor frame of a helmet, and wherein the visor, visor frame and helmet are shown in broken lines;
 FIG. 4 is another perspective view thereof, shown in a non-retracted position;
 FIG. 5 is a front view thereof, shown in a retracted position;
 FIG. 6 is a front view thereof, shown in a non-retracted position;
 FIG. 7 is a side view thereof, shown in a retracted position, the opposite side view is identical;
 FIG. 8 is a side view thereof, shown in a non-retracted position, the opposite side view is identical;
 FIG. 9 is a top plan view thereof, shown in a retracted position;
 FIG. 10 is a top plan view thereof, shown in a non-retracted position;
 FIG. 11 is a bottom plan view thereof, shown in a retracted position; and,
 FIG. 12 is a bottom view thereof, shown in a non-retracted position.
 All surfaces not shown form no part of the claimed design.
 The broken lines shown in the figures form no part of the claimed design.

1 Claim, 7 Drawing Sheets



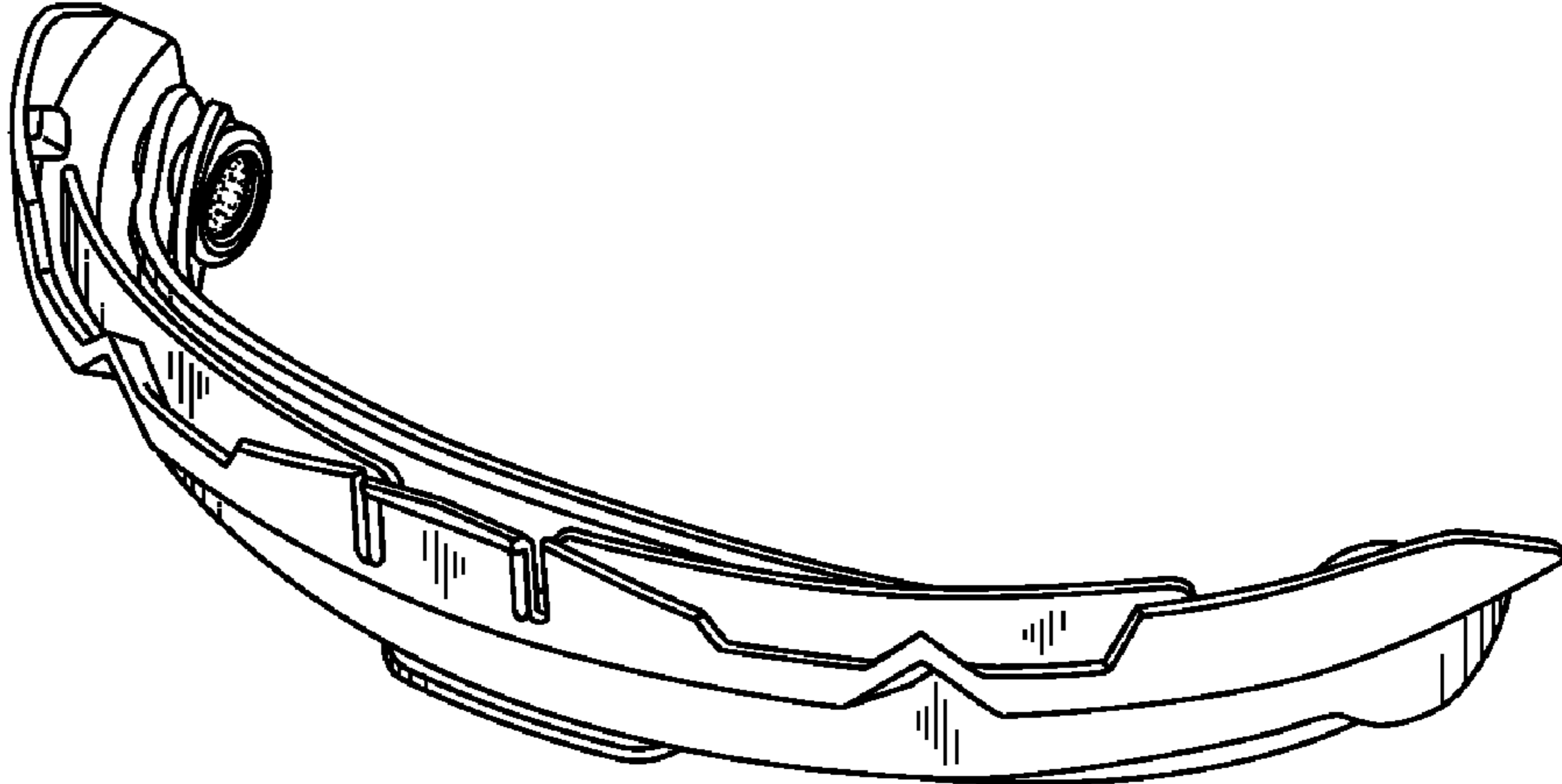


FIG. 1

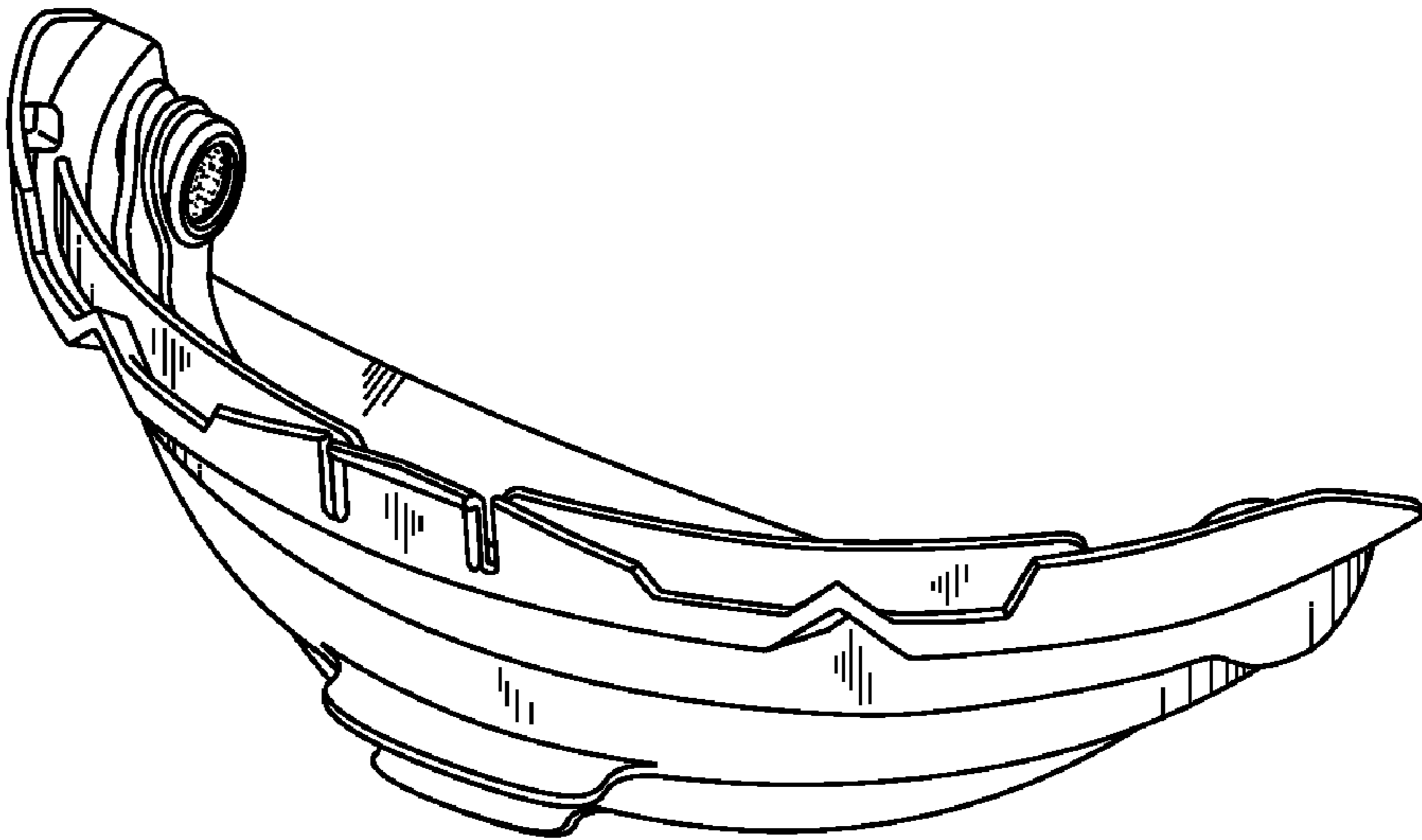


FIG. 2

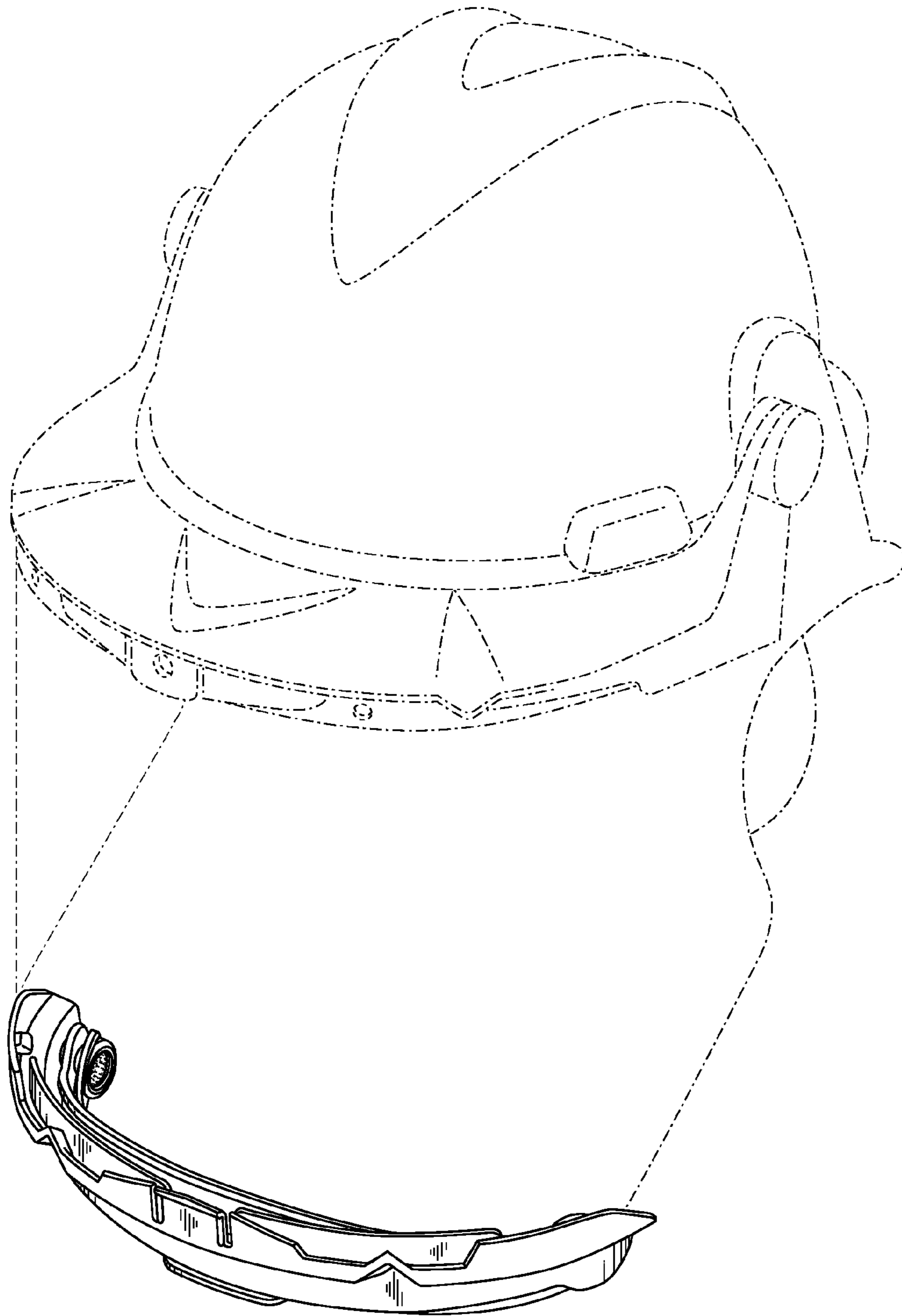


FIG. 3

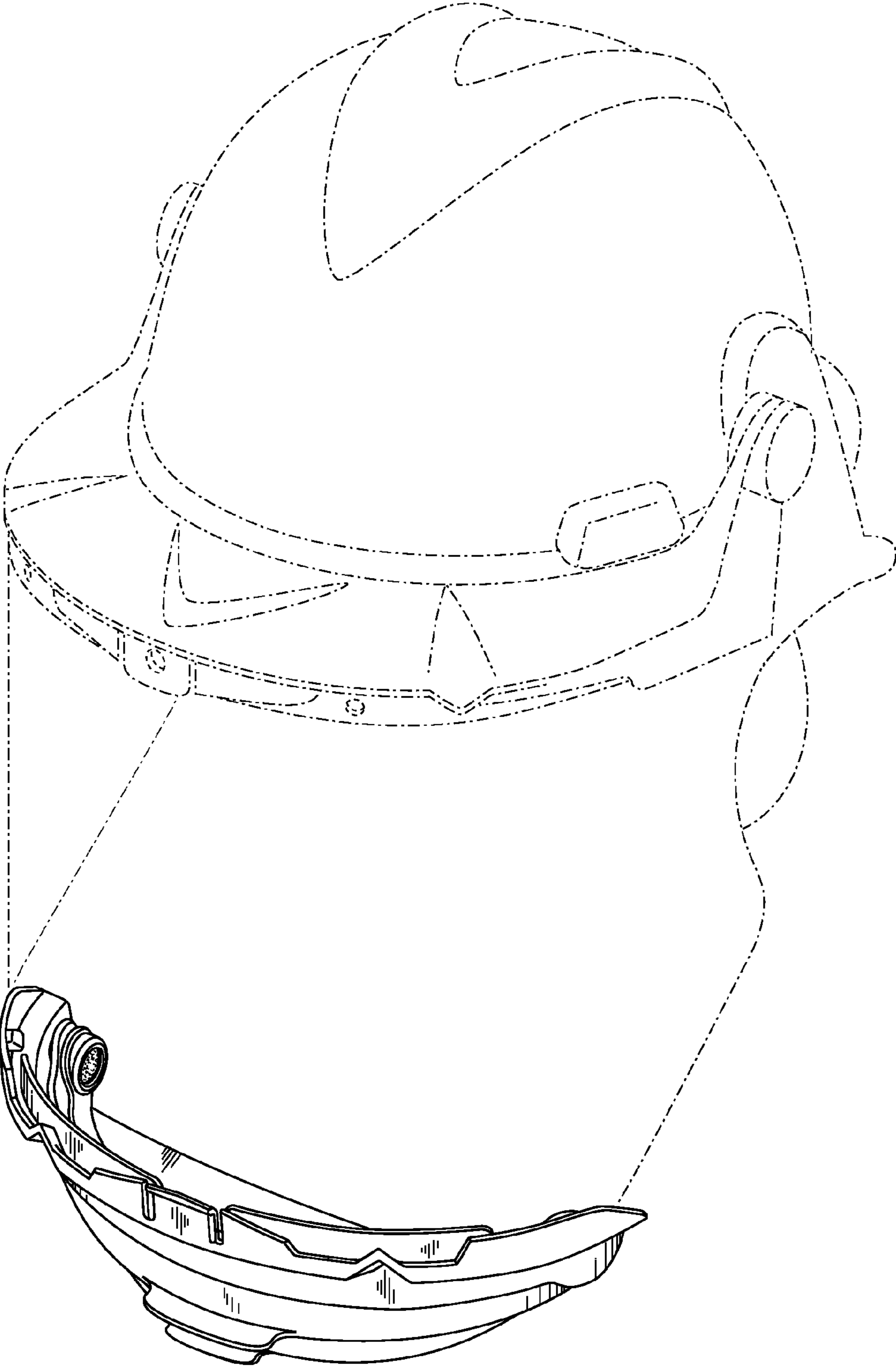


FIG. 4

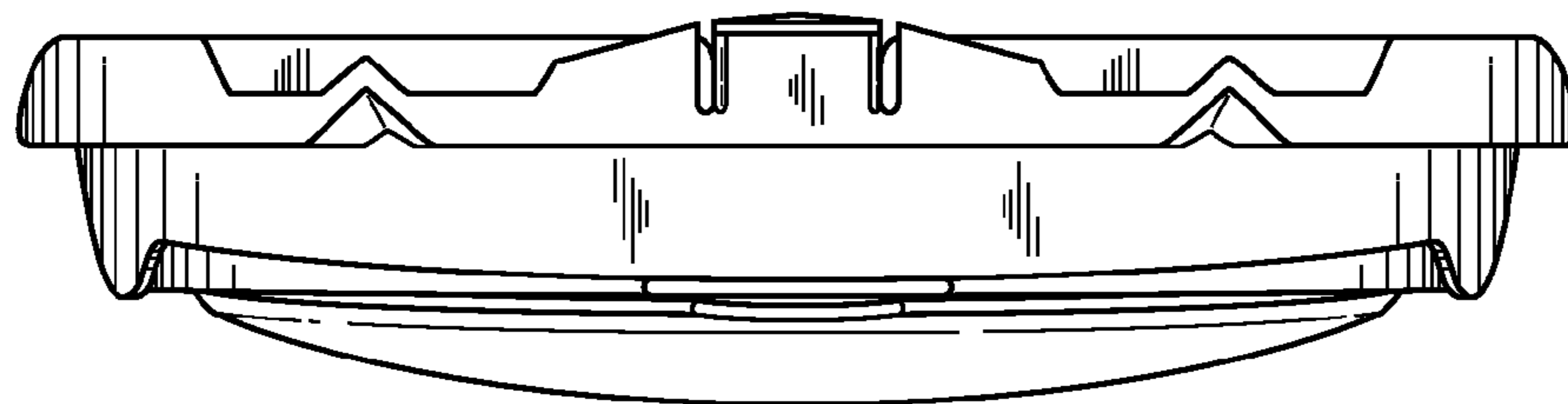


FIG. 5

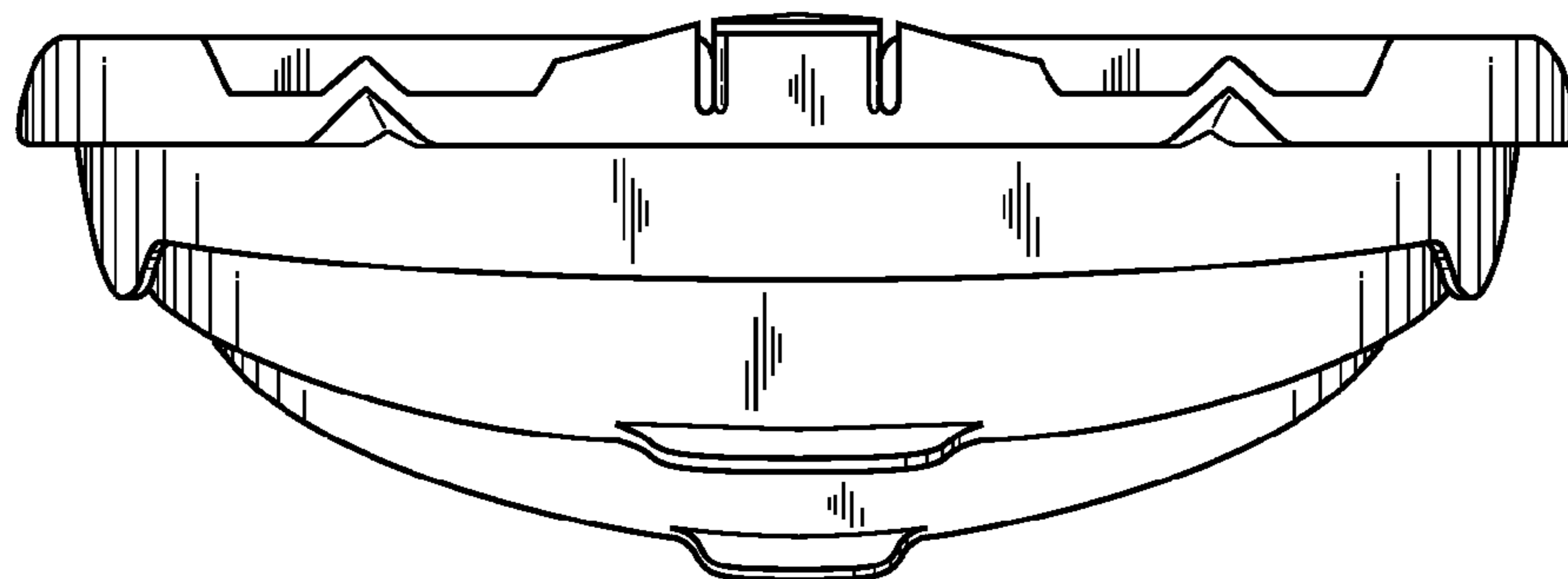


FIG. 6

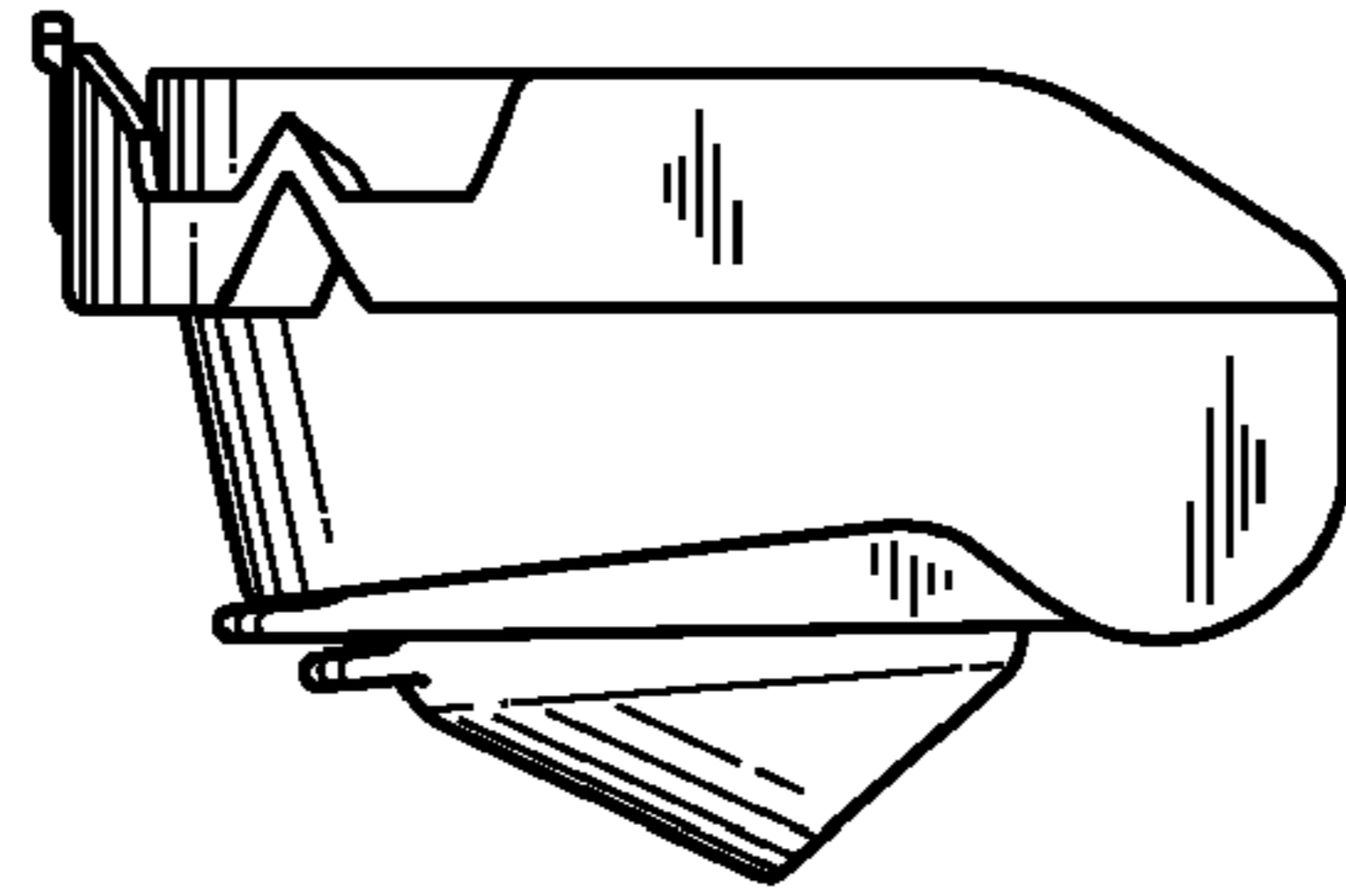


FIG. 7

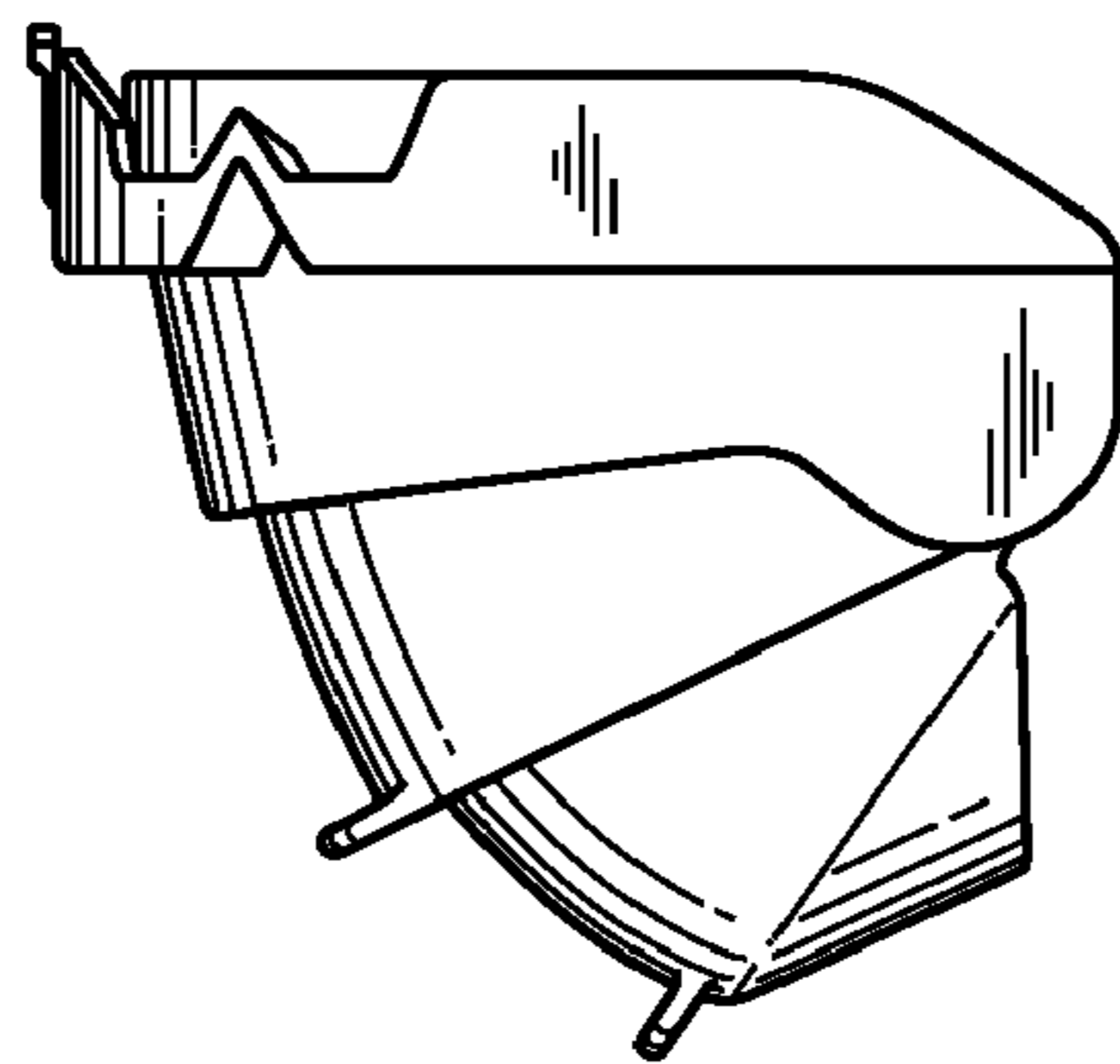


FIG. 8

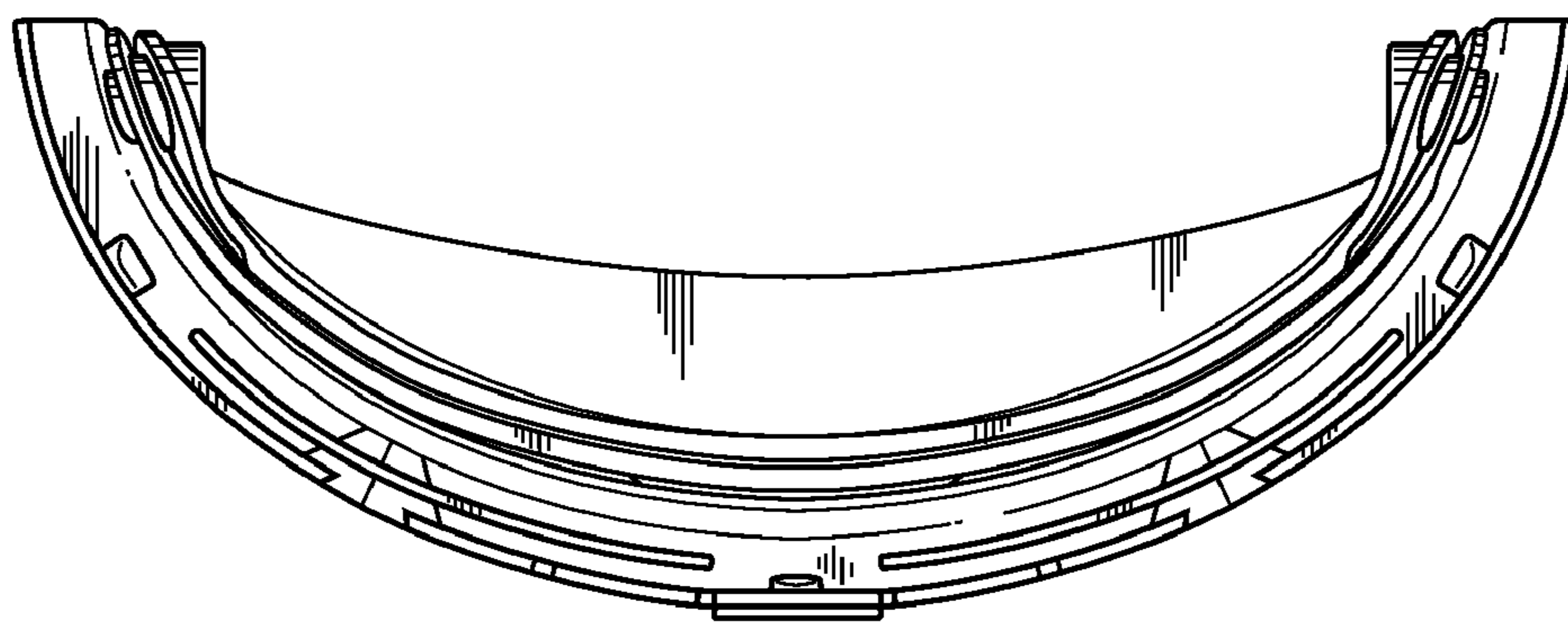


FIG. 9

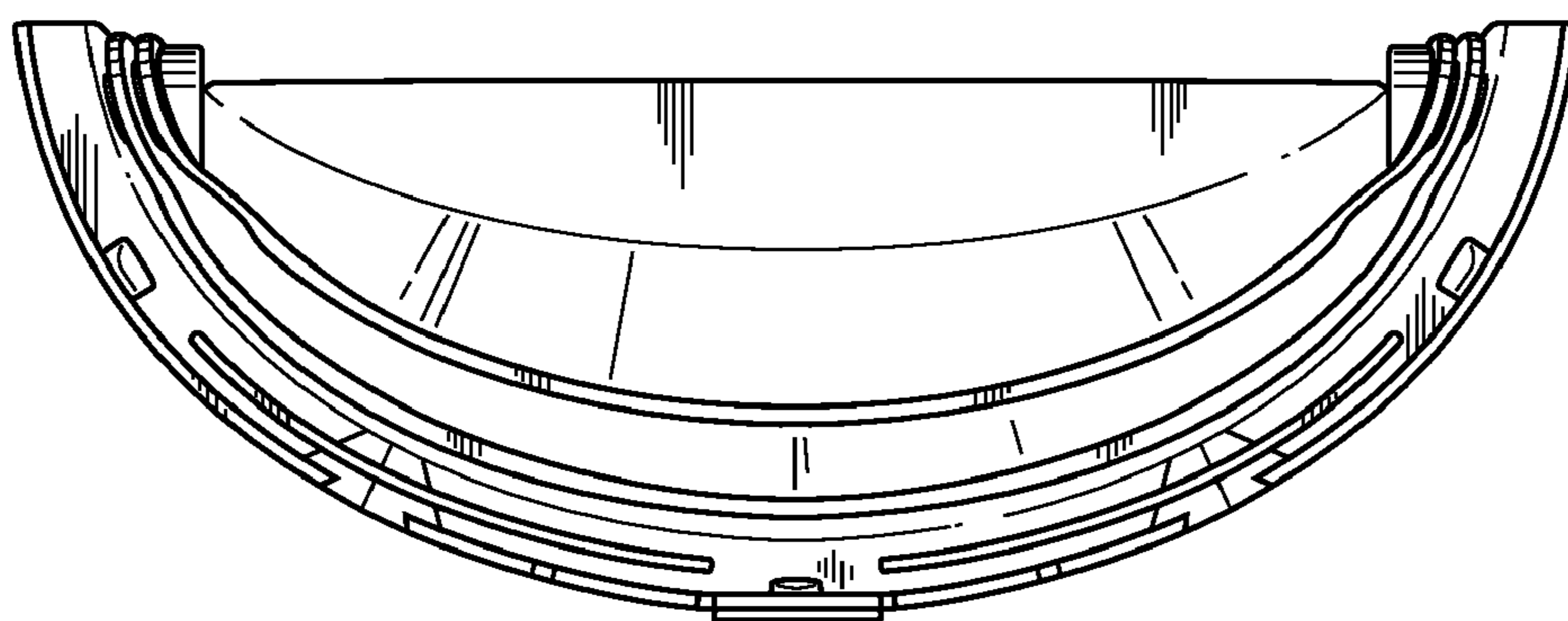


FIG. 10

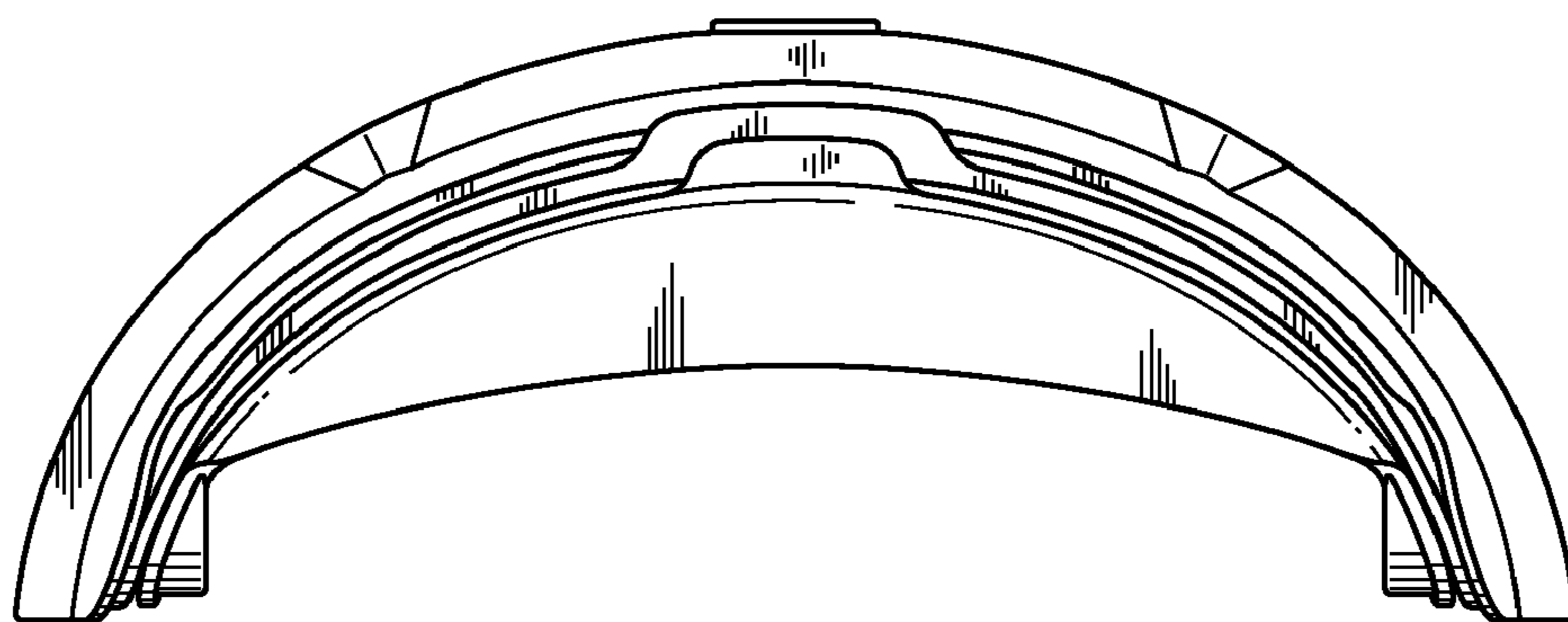


FIG. 11

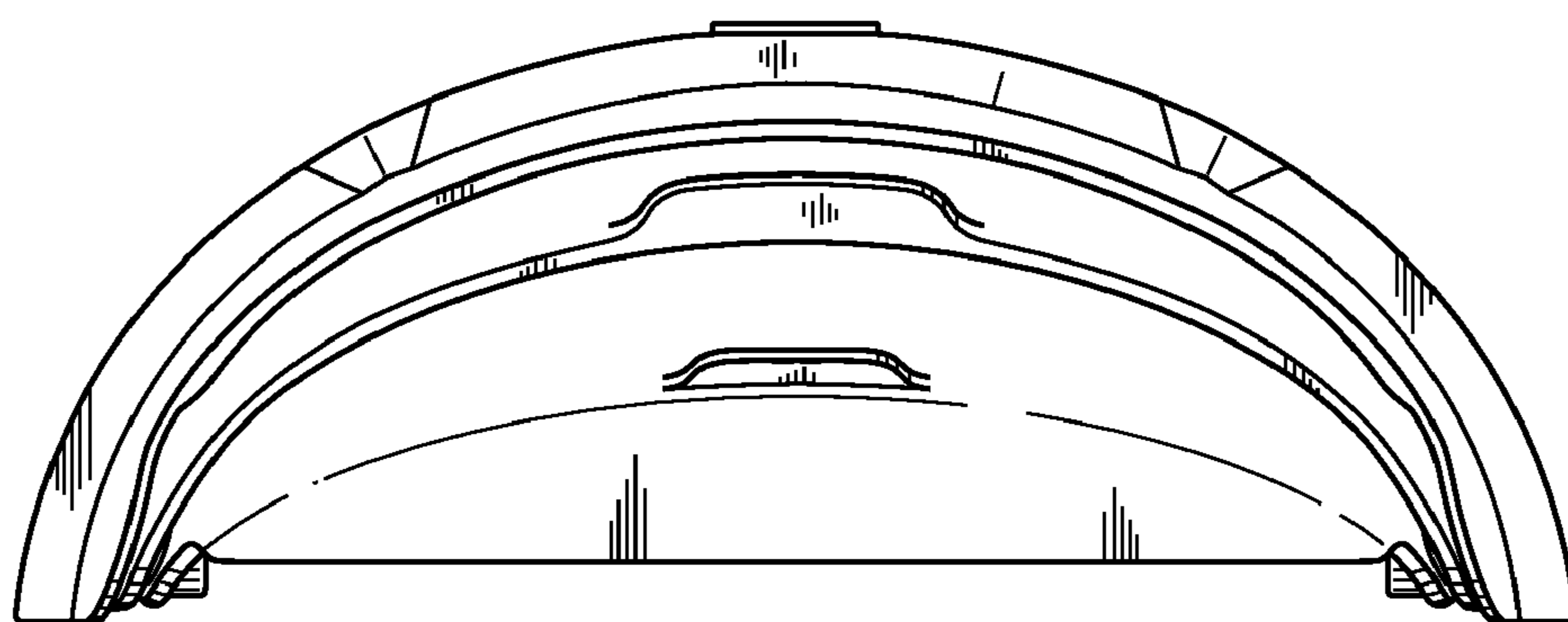


FIG. 12