



US00D674559S

(12) **United States Design Patent**  
**Ino**

(10) **Patent No.:** **US D674,559 S**  
(45) **Date of Patent:** **\*\* Jan. 15, 2013**

(54) **ELECTRIC SHAVER**

(75) Inventor: **Tomoaki Ino**, Yokohama (JP)

(73) Assignee: **Panasonic Corporation**, Kadoma-shi (JP)

(\*\*) Term: **14 Years**

(21) Appl. No.: **29/418,956**

(22) Filed: **Apr. 24, 2012**

(30) **Foreign Application Priority Data**

Oct. 25, 2011 (JP) ..... 2011-024421

(51) **LOC (9) Cl.** ..... **28-03**

(52) **U.S. Cl.** ..... **D28/54**

(58) **Field of Classification Search** ..... D28/44,  
D28/44.1, 49-54; 30/34.05, 34.1, 34.2, 43-43.92,  
30/526, 527, 44-45, 29.5, 341, 195-223,  
30/272.1, 226-227, 231, 233-233.5

See application file for complete search history.

(56) **References Cited**

**U.S. PATENT DOCUMENTS**

D400,301 S *	10/1998	Wong	.....	D28/45
D400,303 S *	10/1998	Tanaka et al.	.....	D28/49
D497,035 S *	10/2004	Khubani	.....	D28/53
D509,626 S *	9/2005	Yiu	.....	D28/54
D561,941 S *	2/2008	Khubani	.....	D28/53
D569,552 S *	5/2008	Marquez	.....	D28/53
D620,644 S *	7/2010	Lau et al.	.....	D28/54

D634,067 S *	3/2011	Stowers et al.	.....	D28/53
D634,069 S *	3/2011	Stowers et al.	.....	D28/54
2011/0010942 A1 *	1/2011	Lau	.....	30/29.5

\* cited by examiner

*Primary Examiner* — Jennifer Rivard

(74) *Attorney, Agent, or Firm* — Marvin A. Motsenbocker; Motts Law, PLLC

(57) **CLAIM**

The ornamental design for an electric shaver, as shown and described.

**DESCRIPTION**

FIG. 1 is a front perspective view of an electric shaver;  
 FIG. 2 is a front view thereof;  
 FIG. 3 is a right side view thereof;  
 FIG. 4 is an enlarged view thereof taken between lines 4-4 in FIG. 2;  
 FIG. 5 is an enlarged view thereof taken between lines 5-5 in FIG. 3;  
 FIG. 6 is an enlarged sectional view thereof taken along line 6-6 in FIG. 4, in which the internal components are omitted;  
 FIG. 7 is a top plan view thereof;  
 FIG. 8 is a rear view thereof;  
 FIG. 9 is a left side view thereof; and,  
 FIG. 10 is a bottom plan view thereof.  
 The portions of the article in broken lines are shown for illustrative purposes only and form no part of the claimed design.

**1 Claim, 10 Drawing Sheets**

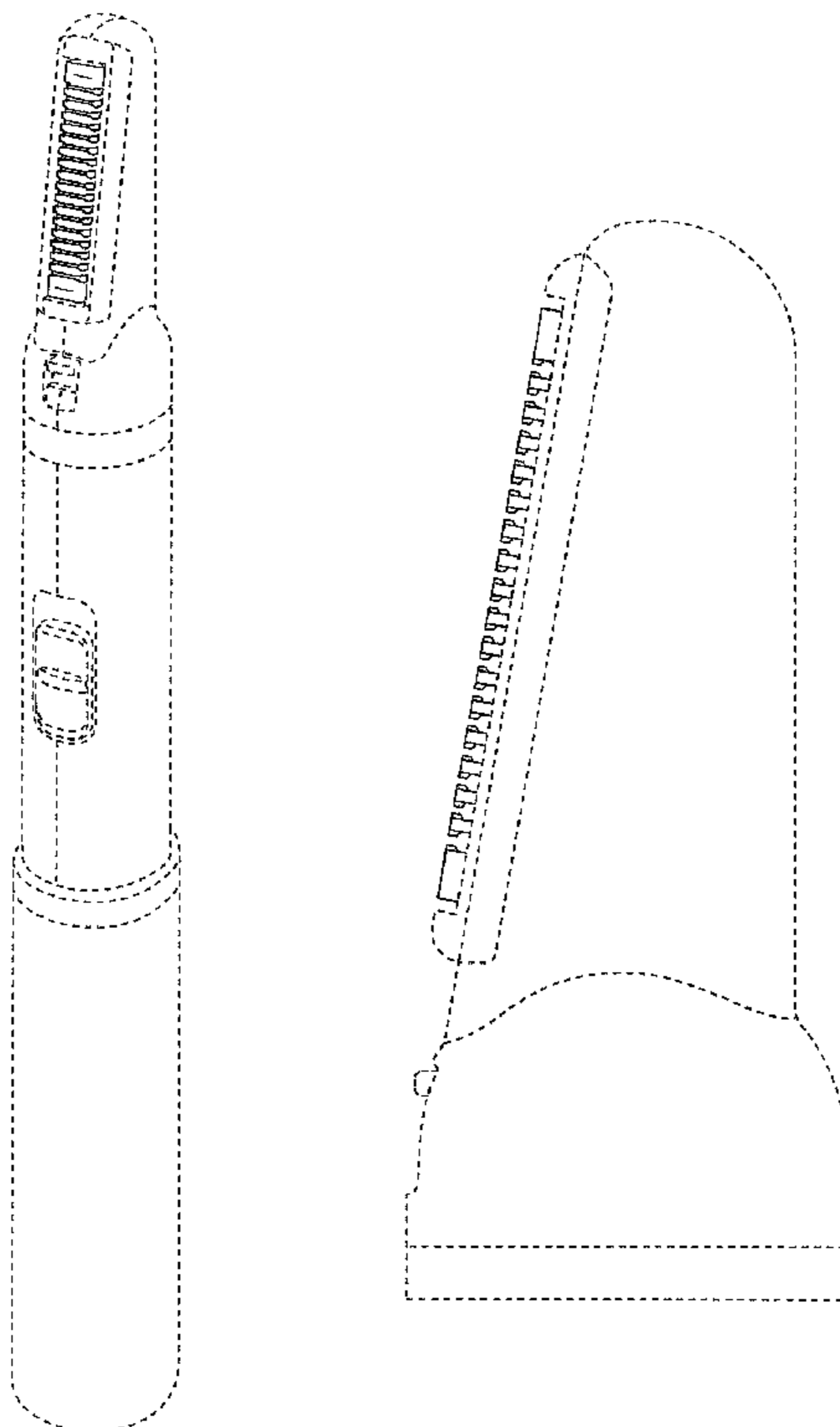


Fig. 1

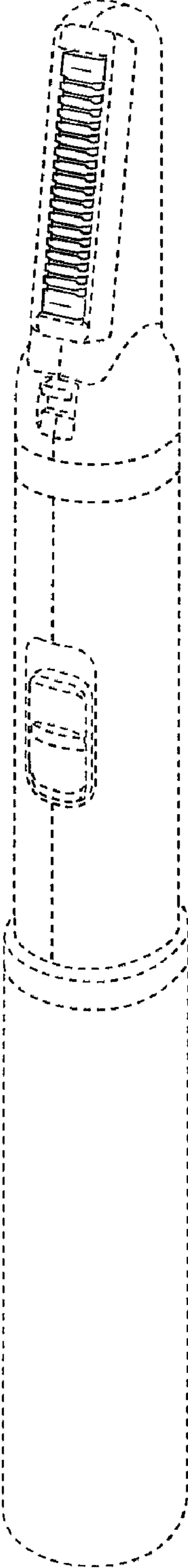


Fig.2

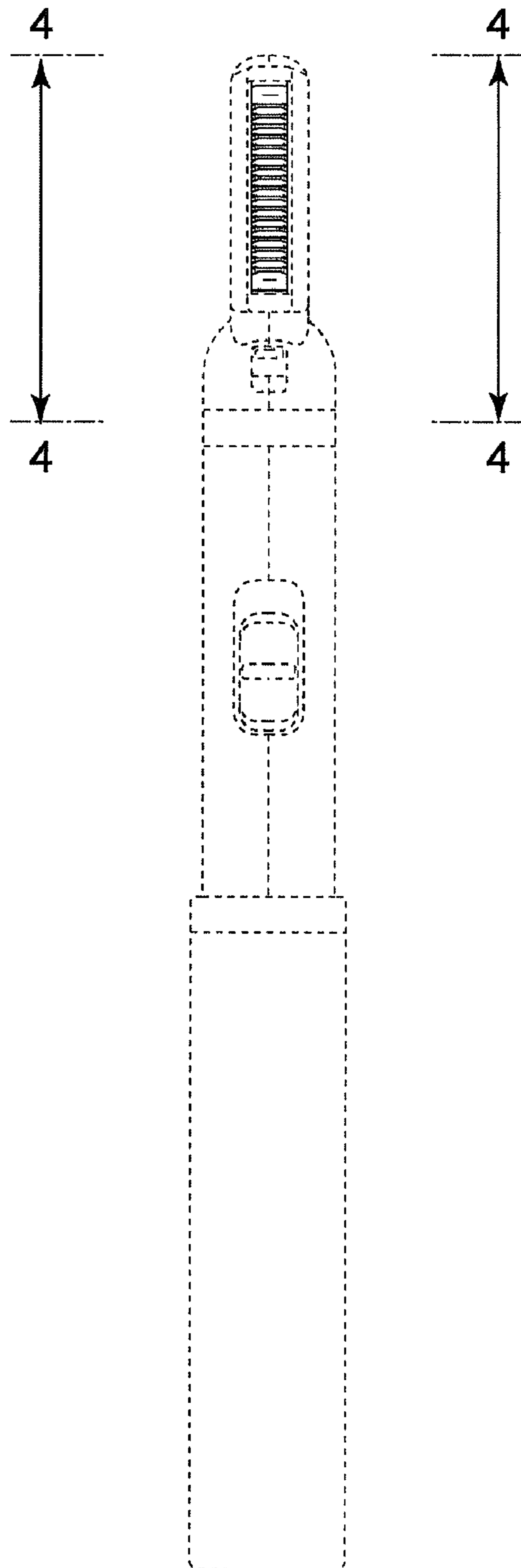


Fig.3

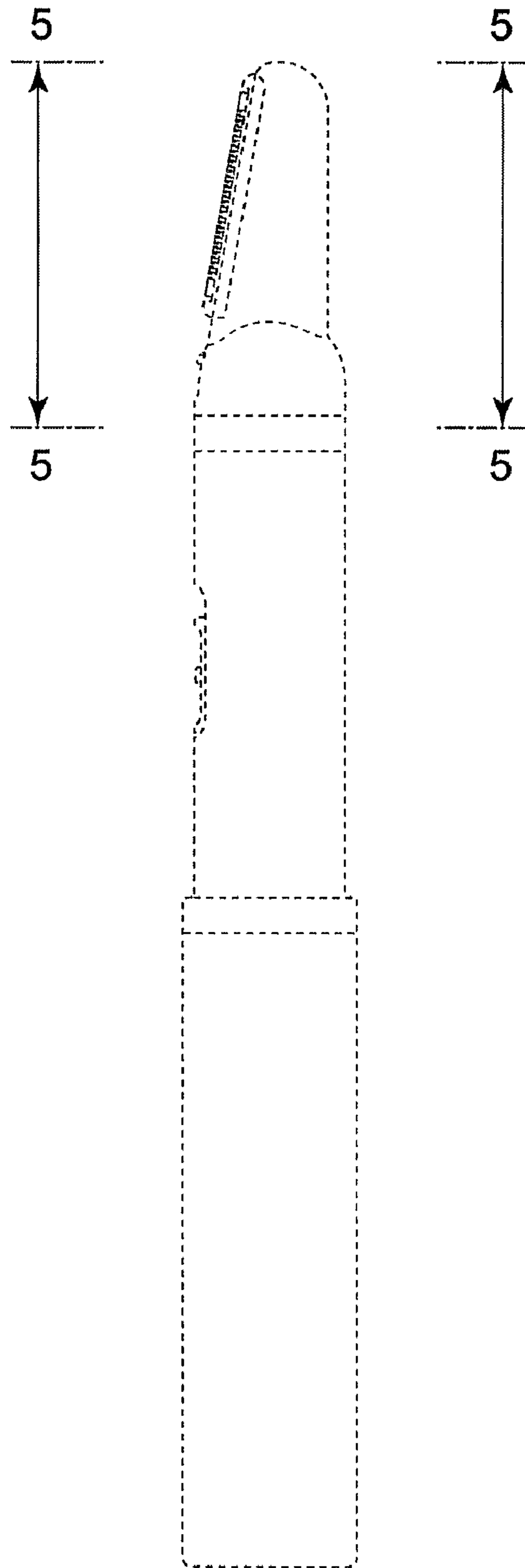


Fig.4

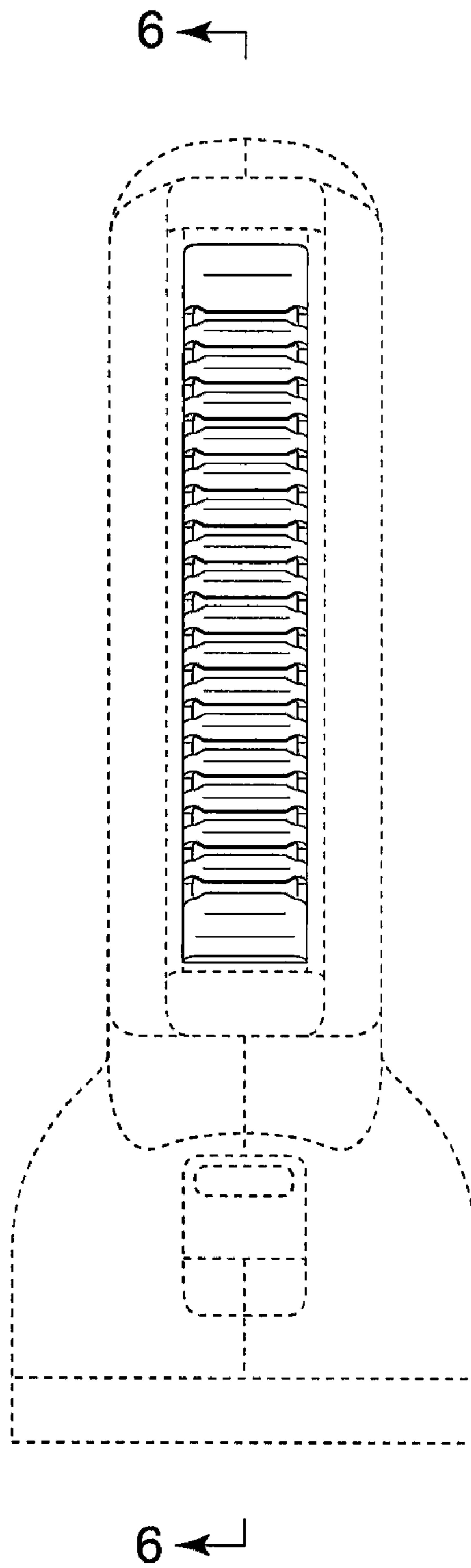


Fig.5

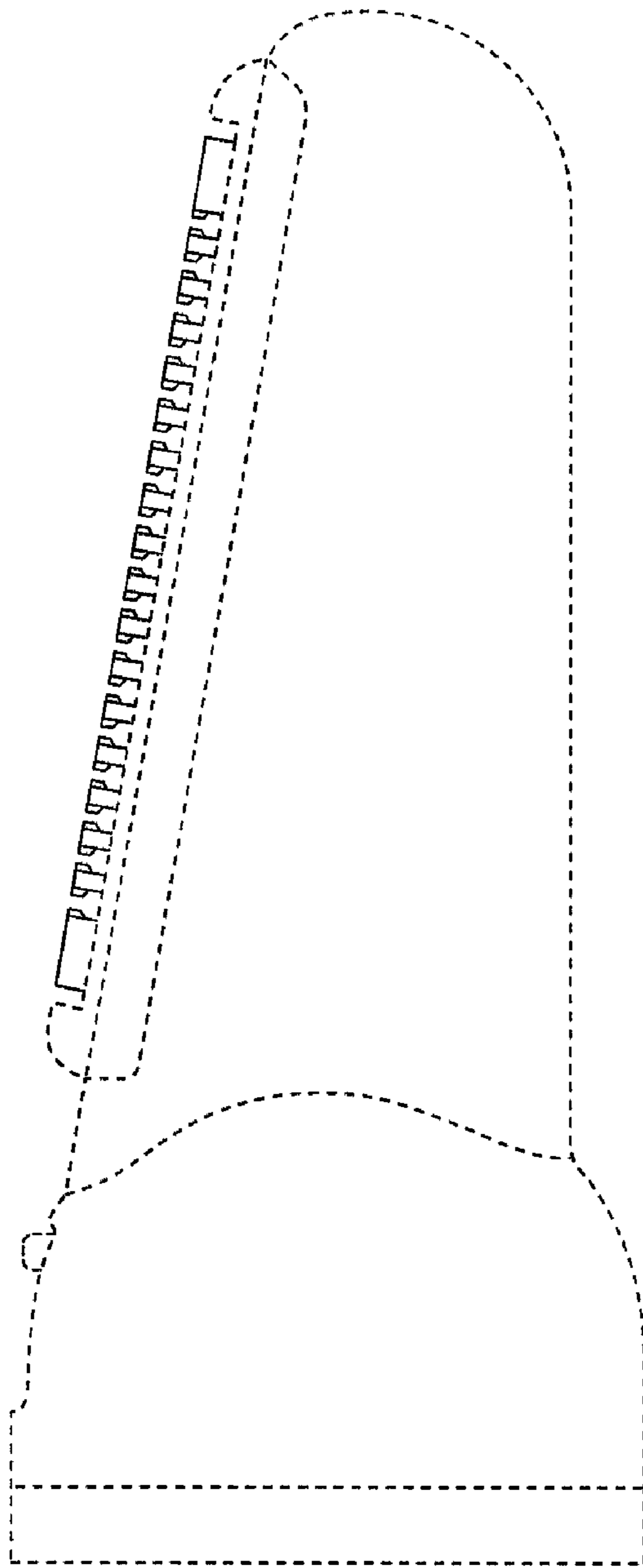
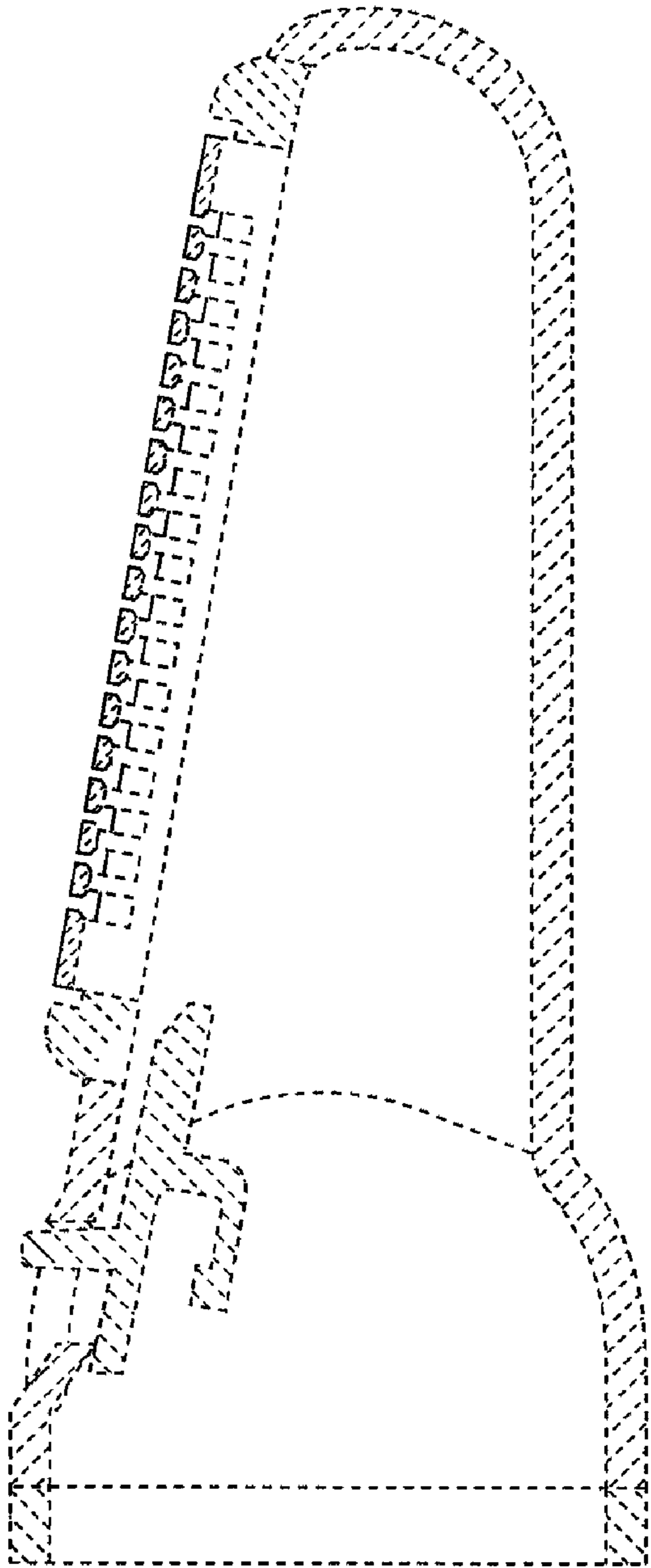


Fig.6



# Fig.7

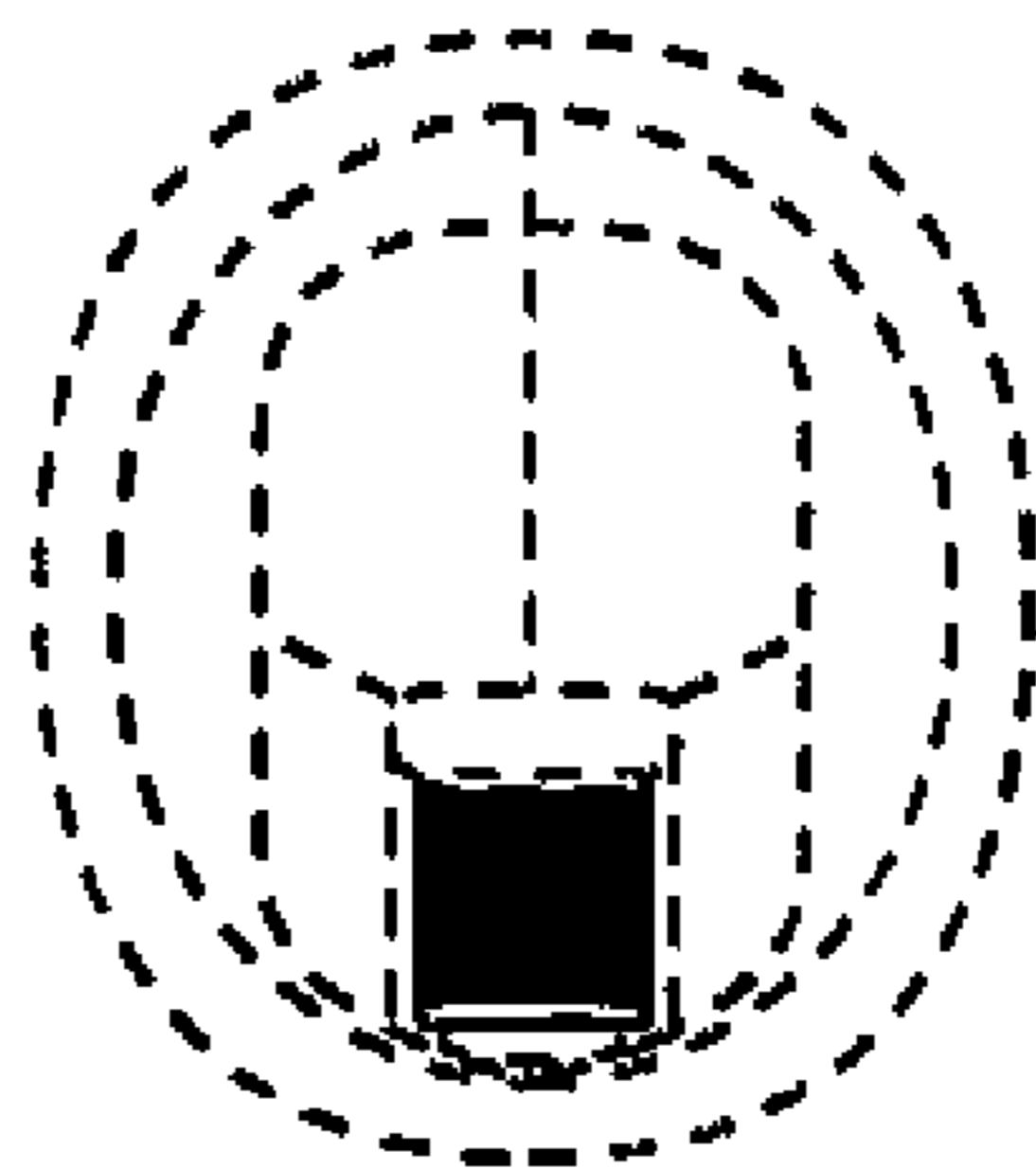




Fig.8

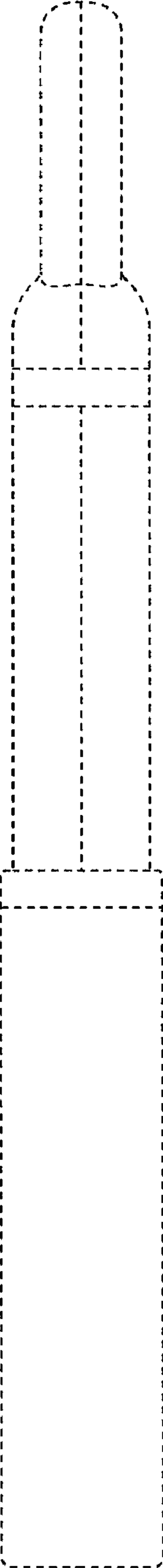
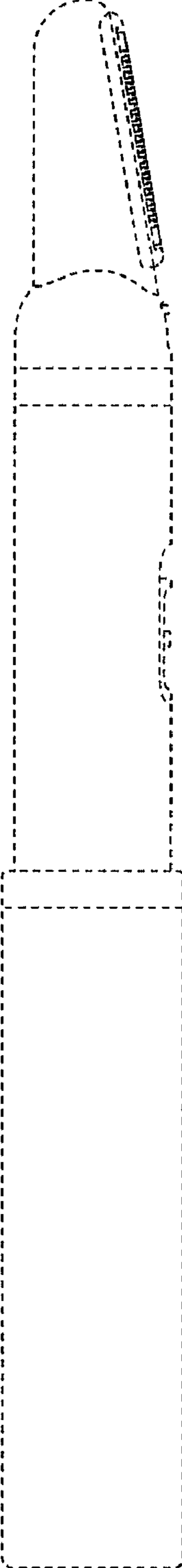


Fig.9



# Fig. 10

