



US00D674556S

(12) **United States Design Patent**
Weinberg et al.

(10) **Patent No.:** **US D674,556 S**
(45) **Date of Patent:** **** Jan. 15, 2013**

(54) **HAIR CUTTING MACHINE WITH STAND**

(75) Inventors: **Andreas Weinberg**, Stuttgart (DE);
Martin Ruf, Tübingen (DE)

(73) Assignee: **WAHL GmbH**, Unterkirnach (DE)

(**) Term: **14 Years**

(21) Appl. No.: **29/395,926**

(22) Filed: **Apr. 23, 2012**

(30) **Foreign Application Priority Data**

Nov. 24, 2011 (EM) 001 952 243

(51) **LOC (9) Cl.** **28-03**

(52) **U.S. Cl.** **D28/53**

(58) **Field of Classification Search** D28/44-54;
30/34.1-34.2, 34.05, 32, 41.9, 43-43.92,
30/47-52, 42-46, 53-55, 57-73, 526-541,
30/74-84, 195-223, 341, 272.1, 226-227,
30/231, 233-233.5

See application file for complete search history.

(56) **References Cited**

U.S. PATENT DOCUMENTS

D435,936 S * 1/2001 Long et al. D28/54
D445,541 S * 7/2001 Wursthorn D28/53

D514,255 S * 1/2006 Bokelman-Dumas D28/53
D534,689 S * 1/2007 Gross et al. D28/53
D538,476 S * 3/2007 Laube D28/54
D571,504 S * 6/2008 Long et al. D28/54
D577,865 S * 9/2008 Long et al. D28/54
D597,253 S * 7/2009 Eddinger et al. D28/54
D623,354 S * 9/2010 Schwer et al. D28/53
D655,451 S * 3/2012 Grabes et al. D28/53
2011/0289777 A1* 12/2011 Quan et al. 30/43.92

* cited by examiner

Primary Examiner — Jennifer Rivard

(74) *Attorney, Agent, or Firm* — Muirhead and Saturnelli,
LLC

(57) **CLAIM**

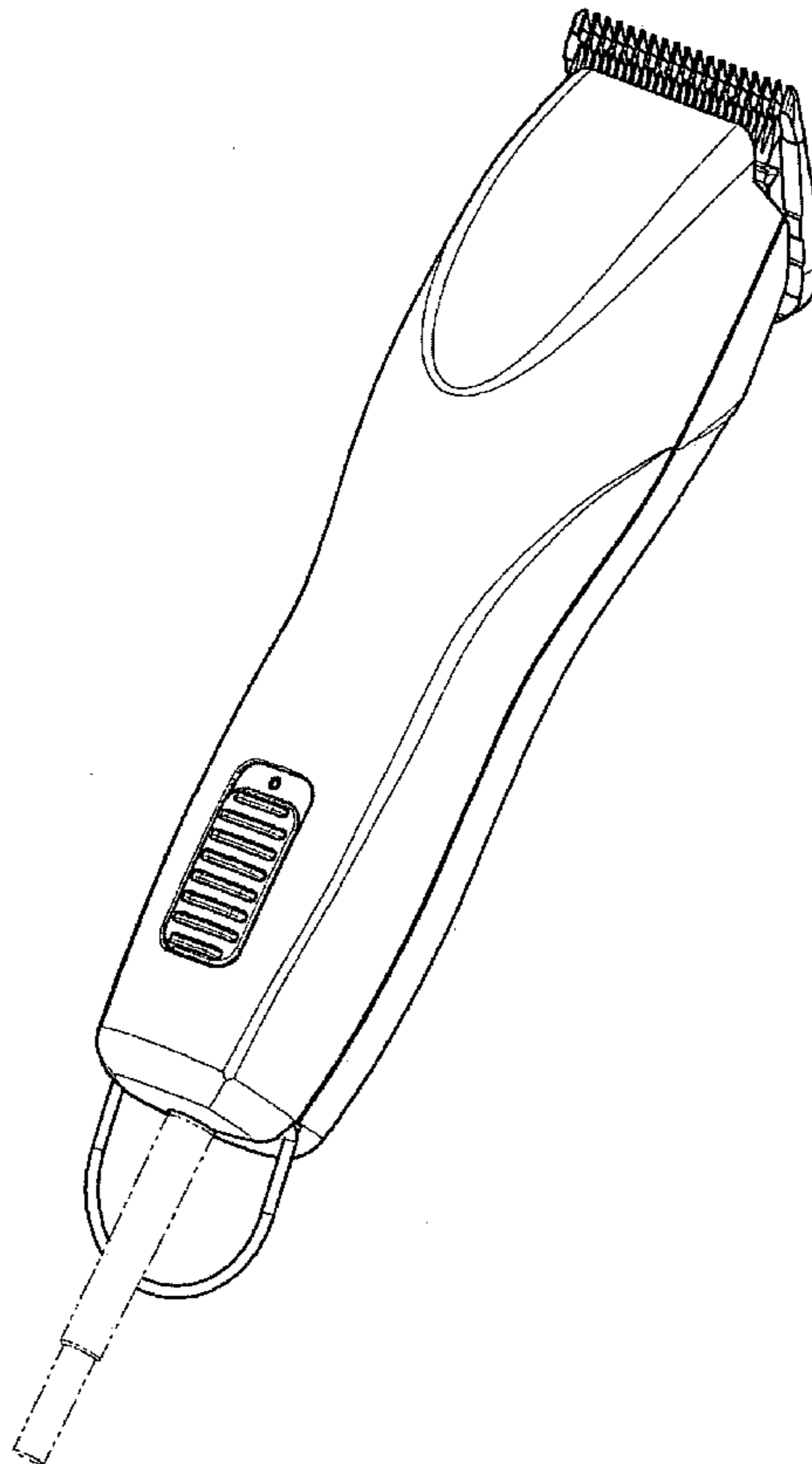
The ornamental design for a hair cutting machine with stand,
as shown and described.

DESCRIPTION

FIG. 1 is a perspective view showing the new design;
FIG. 2 is a front elevational view thereof;
FIG. 3 is a left side elevational view thereof;
FIG. 4 is a rear elevational view thereof;
FIG. 5 is a right side elevational view thereof;
FIG. 6 is a top plan view thereof; and,
FIG. 7 is a bottom plan view thereof.

The broken lines shown in the drawings illustrate portions of
environmental structure and form no part of the claimed
design.

1 Claim, 7 Drawing Sheets



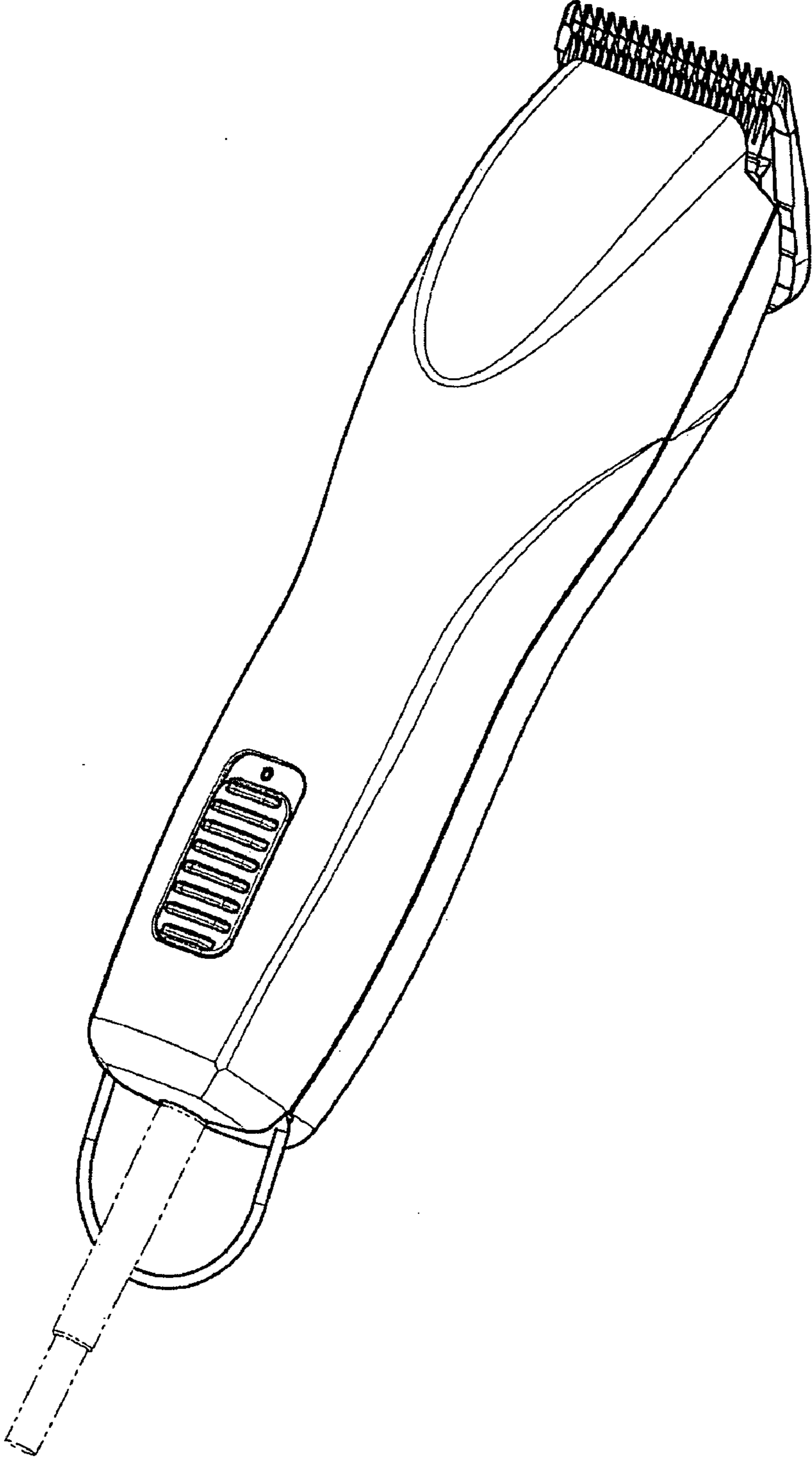


FIG. 1

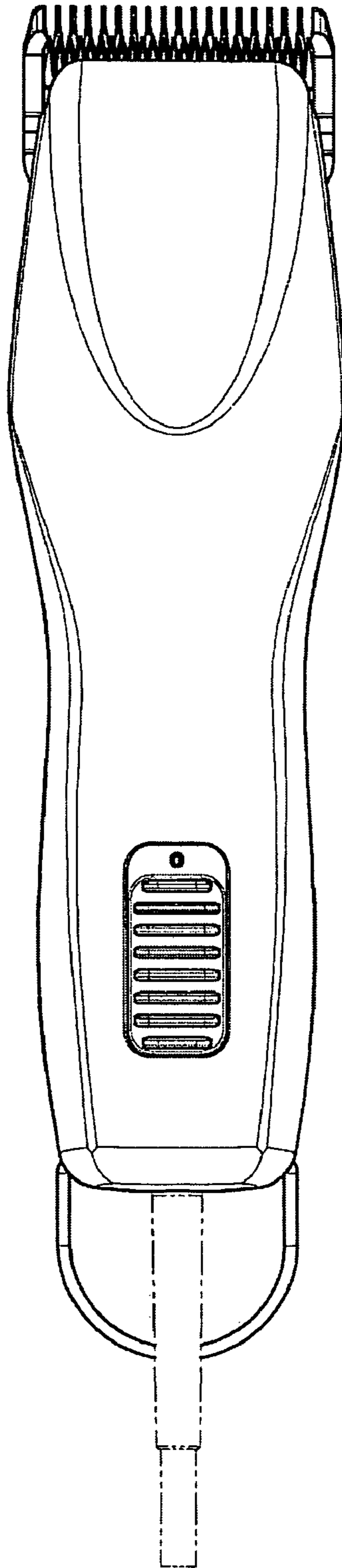


FIG. 2

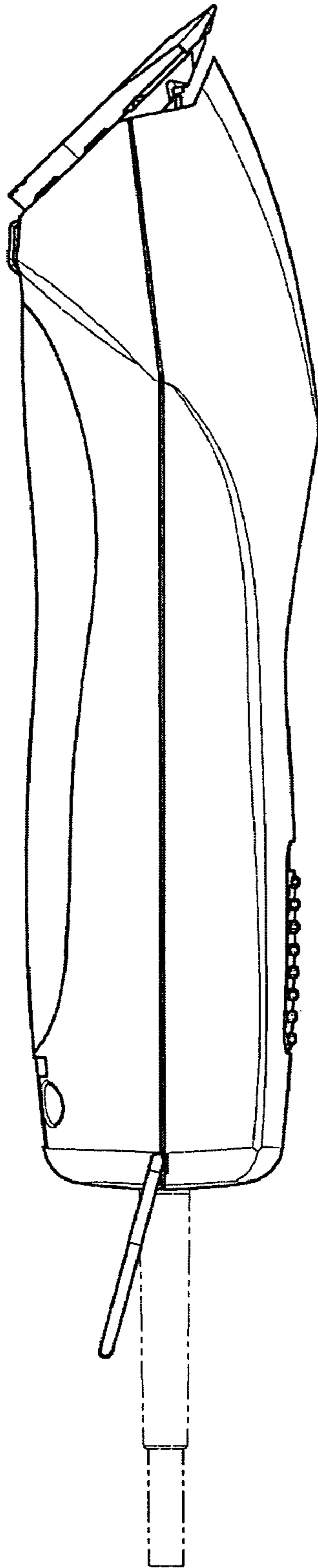


FIG. 3

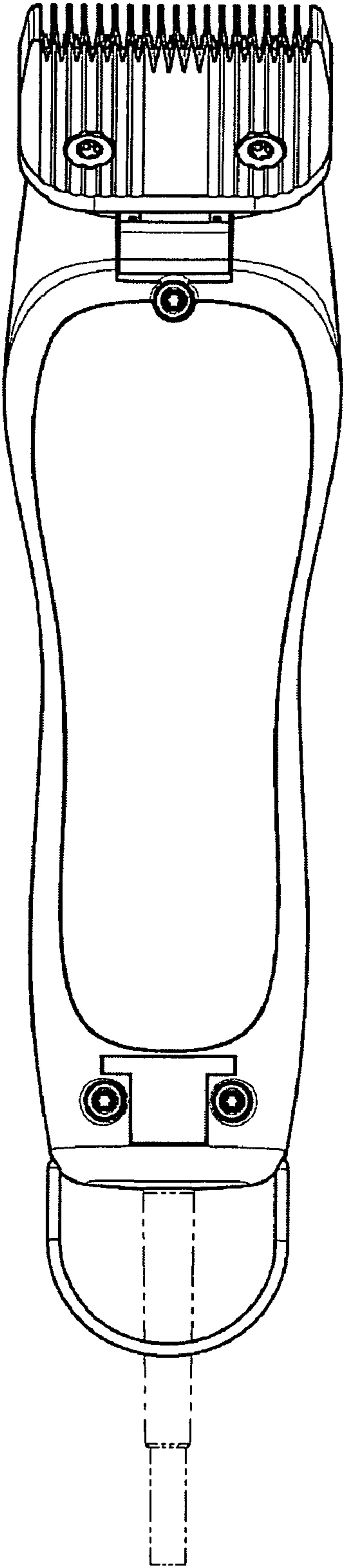


FIG. 4

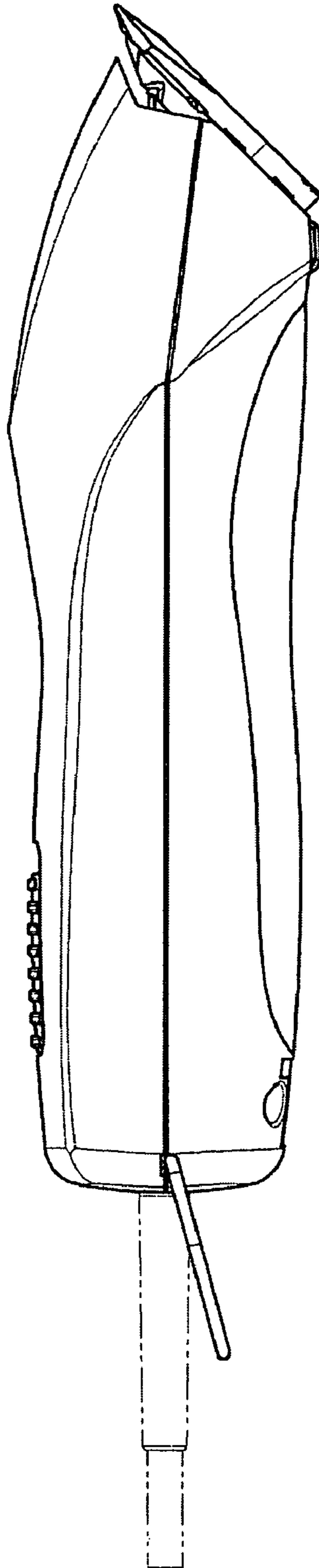


FIG. 5

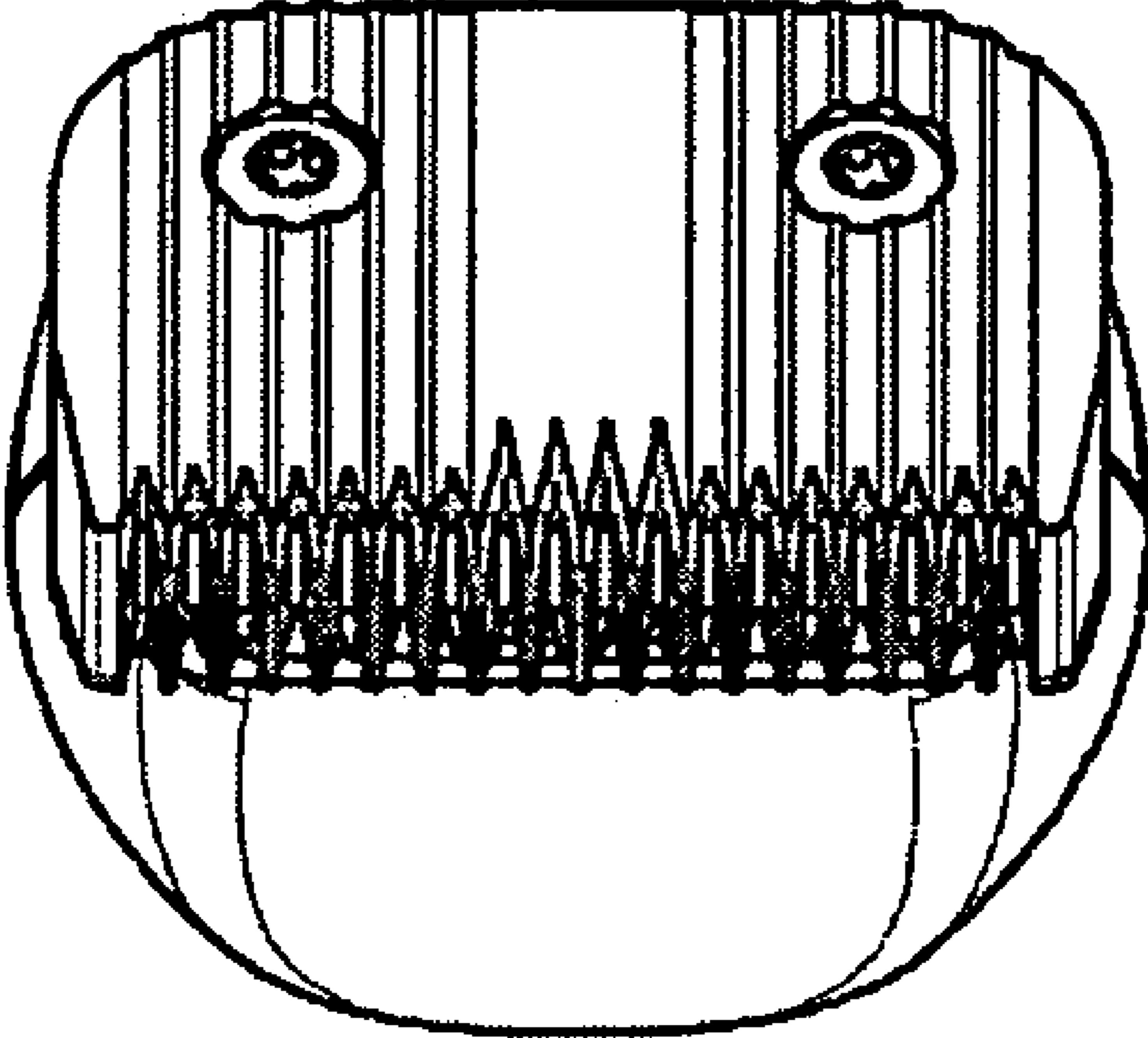


FIG. 6

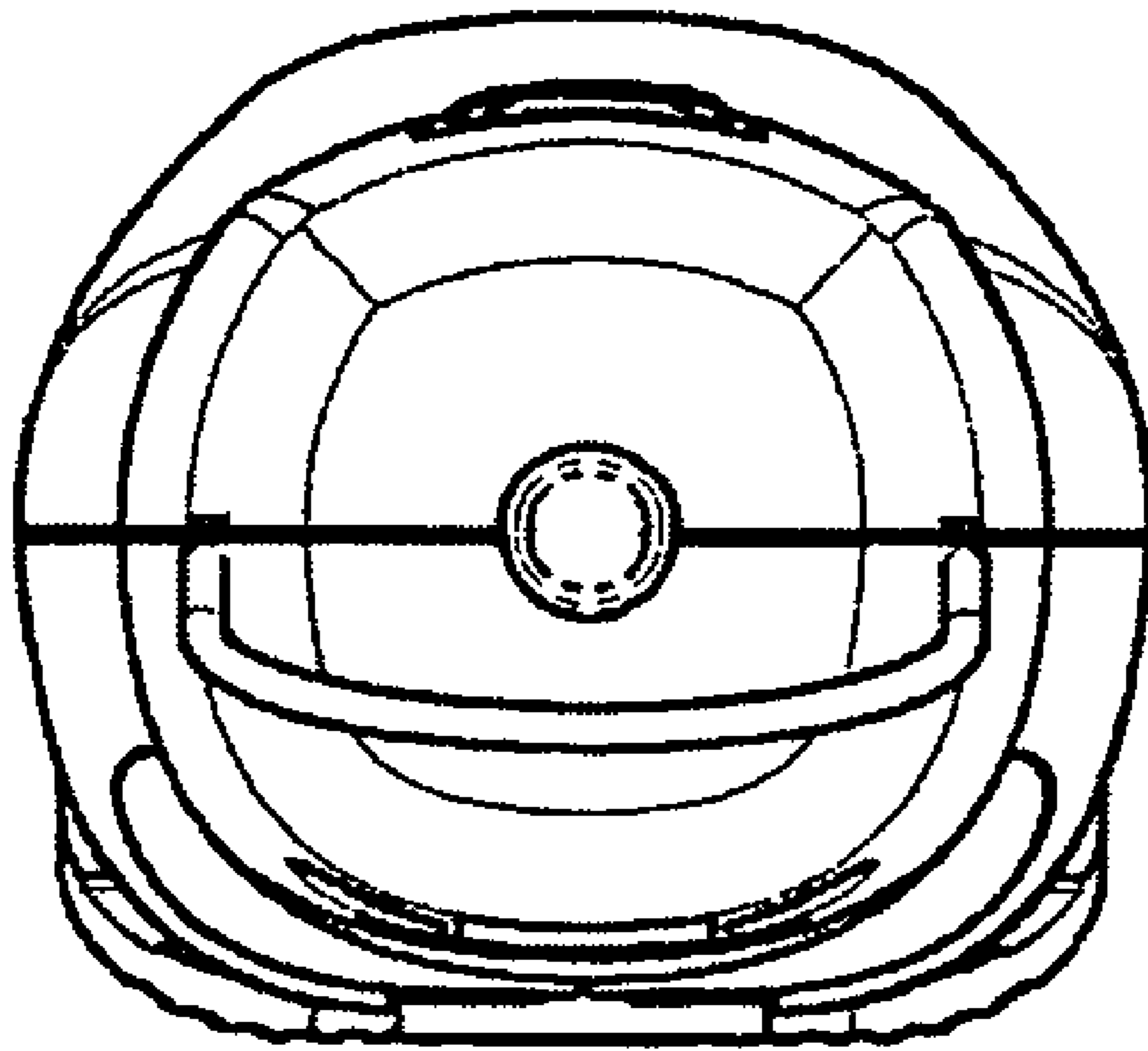


FIG. 7