



US00D674555S

(12) **United States Design Patent**
Ino

(10) **Patent No.:** **US D674,555 S**

(45) **Date of Patent:** **** Jan. 15, 2013**

(54) **ELECTRIC SHAVER**

(75) Inventor: **Tomoaki Ino**, Yokohama (JP)

(73) Assignee: **Panasonic Corporation**, Kadoma-shi (JP)

(**) Term: **14 Years**

(21) Appl. No.: **29/418,843**

(22) Filed: **Apr. 23, 2012**

(30) **Foreign Application Priority Data**

Oct. 25, 2011 (JP) 2011-024426

(51) **LOC (9) Cl.** **28-03**

(52) **U.S. Cl.** **D28/51**

(58) **Field of Classification Search** D28/44-54;
30/34.1-34.2, 34.05, 32, 41.9, 43-43.92,
30/47-52, 42-46, 53-55, 57-73, 526-541,
30/74-84, 195-223, 341, 272.1, 226-227,
30/231, 233-233.5

See application file for complete search history.

(56) **References Cited**

U.S. PATENT DOCUMENTS

D441,912 S *	5/2001	Micinilio	D28/51
D513,541 S *	1/2006	Nishizawa	D28/49
D514,254 S *	1/2006	Nishizawa	D28/49
D514,745 S *	2/2006	Nishizawa	D28/49
D537,205 S *	2/2007	Seki et al.	D28/49
D571,956 S *	6/2008	Nishizawa	D28/49
D572,408 S *	7/2008	Nishizawa	D28/49
D587,849 S *	3/2009	Nishizawa	D28/51

D592,804 S *	5/2009	Refior	D28/49
D648,482 S *	11/2011	Kim	D28/50
D648,895 S *	11/2011	Ino	D28/49

* cited by examiner

Primary Examiner — Jennifer Rivard

(74) *Attorney, Agent, or Firm* — Marvin A. Motsenbocker; Motts Law, PLLC

(57) **CLAIM**

The ornamental design for an electric shaver, as shown and described.

DESCRIPTION

FIG. 1 is a front perspective view of an electric shaver; FIG. 2 is a rear perspective view of thereof; FIG. 3 is a front view thereof; FIG. 4 is a right side view thereof; FIG. 5 is a top plan view thereof; FIG. 6 is a rear view thereof; FIG. 7 is a left side view thereof; FIG. 8 is a bottom plan view thereof; FIG. 9 is a sectional view thereof taken along line 9-9 in FIG. 3, in which the internal components are omitted; and, FIG. 10 is a sectional view thereof taken along line 10II-10II between lines 10I-10I in FIG. 3 in which the internal components are omitted.

The portions of the article in broken lines are shown for illustrative purposes only and form no part of the claimed design.

1 Claim, 10 Drawing Sheets

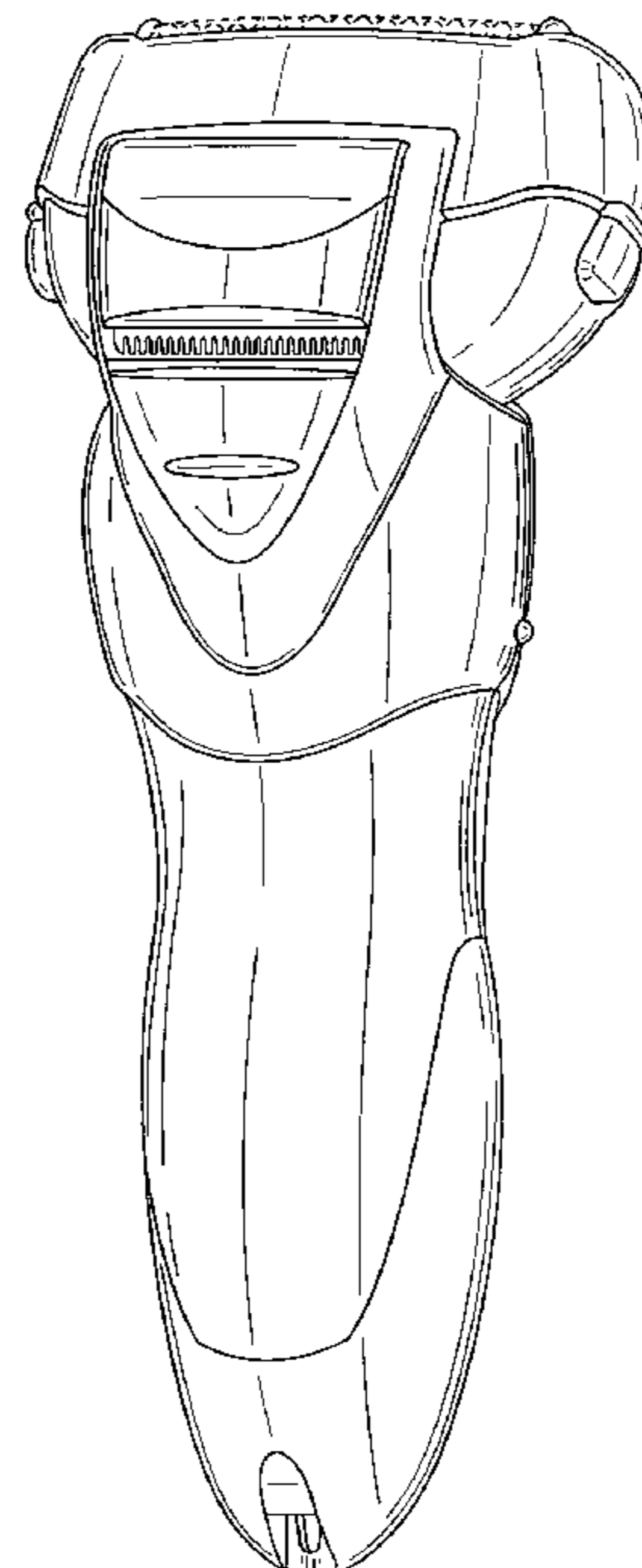
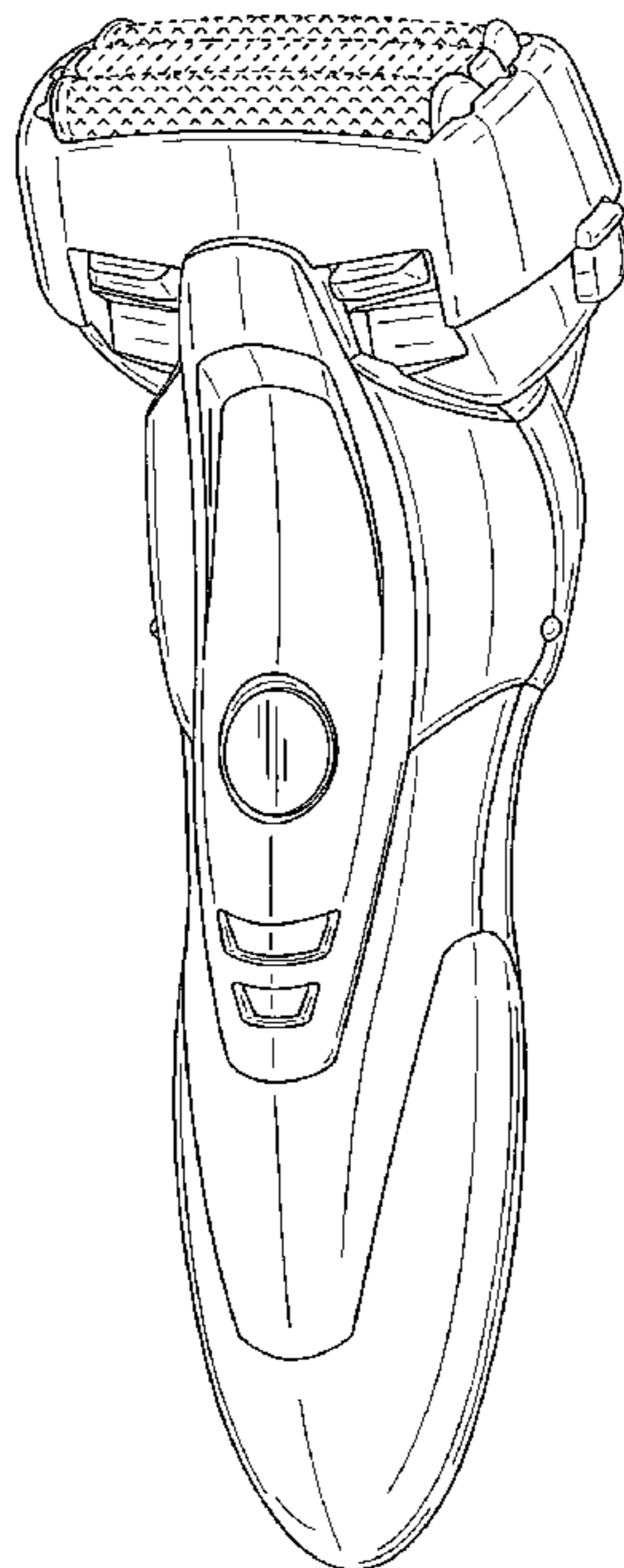


Fig. 1

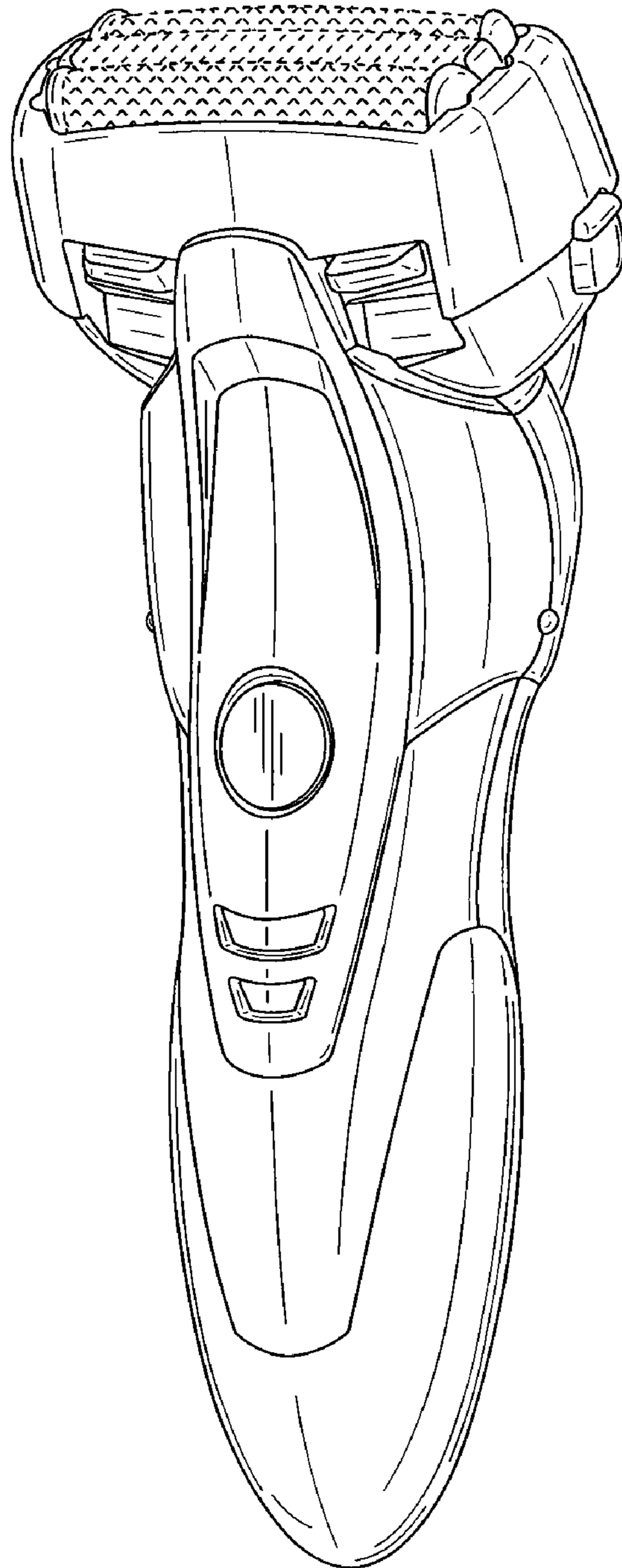


Fig.2

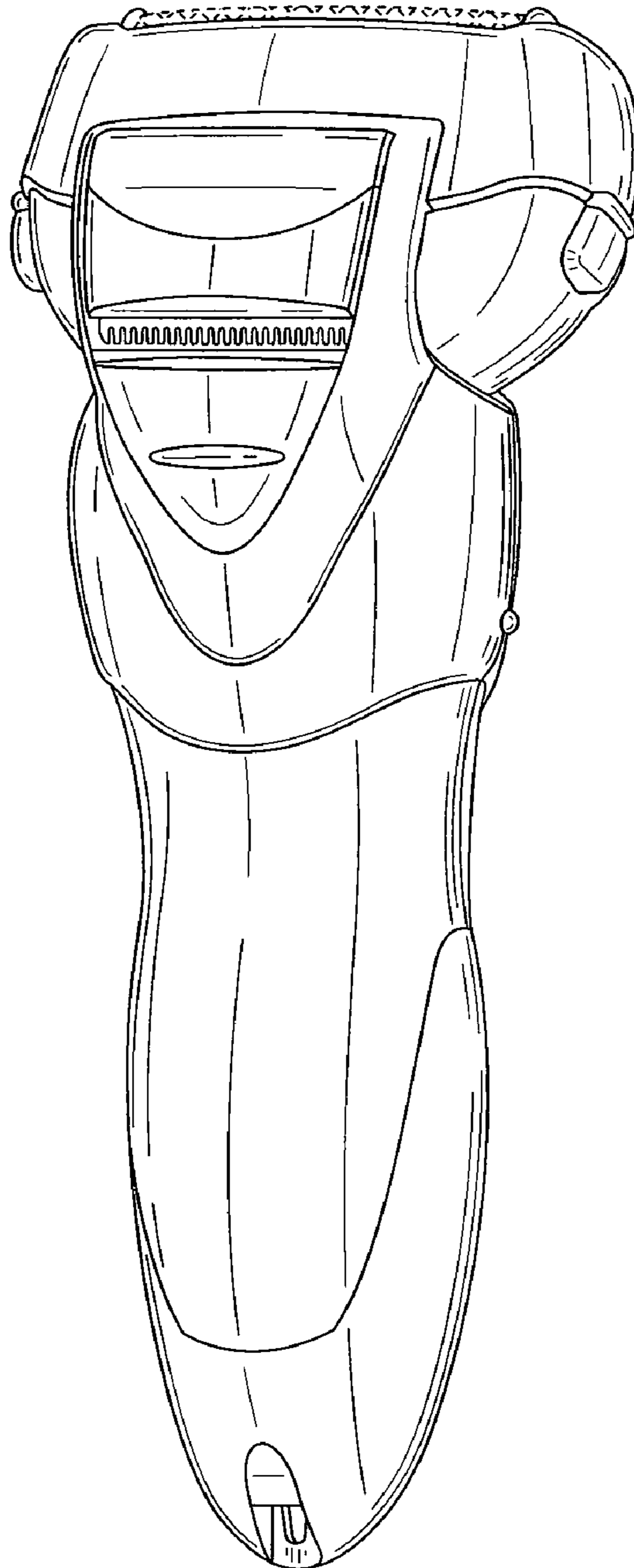


Fig.3

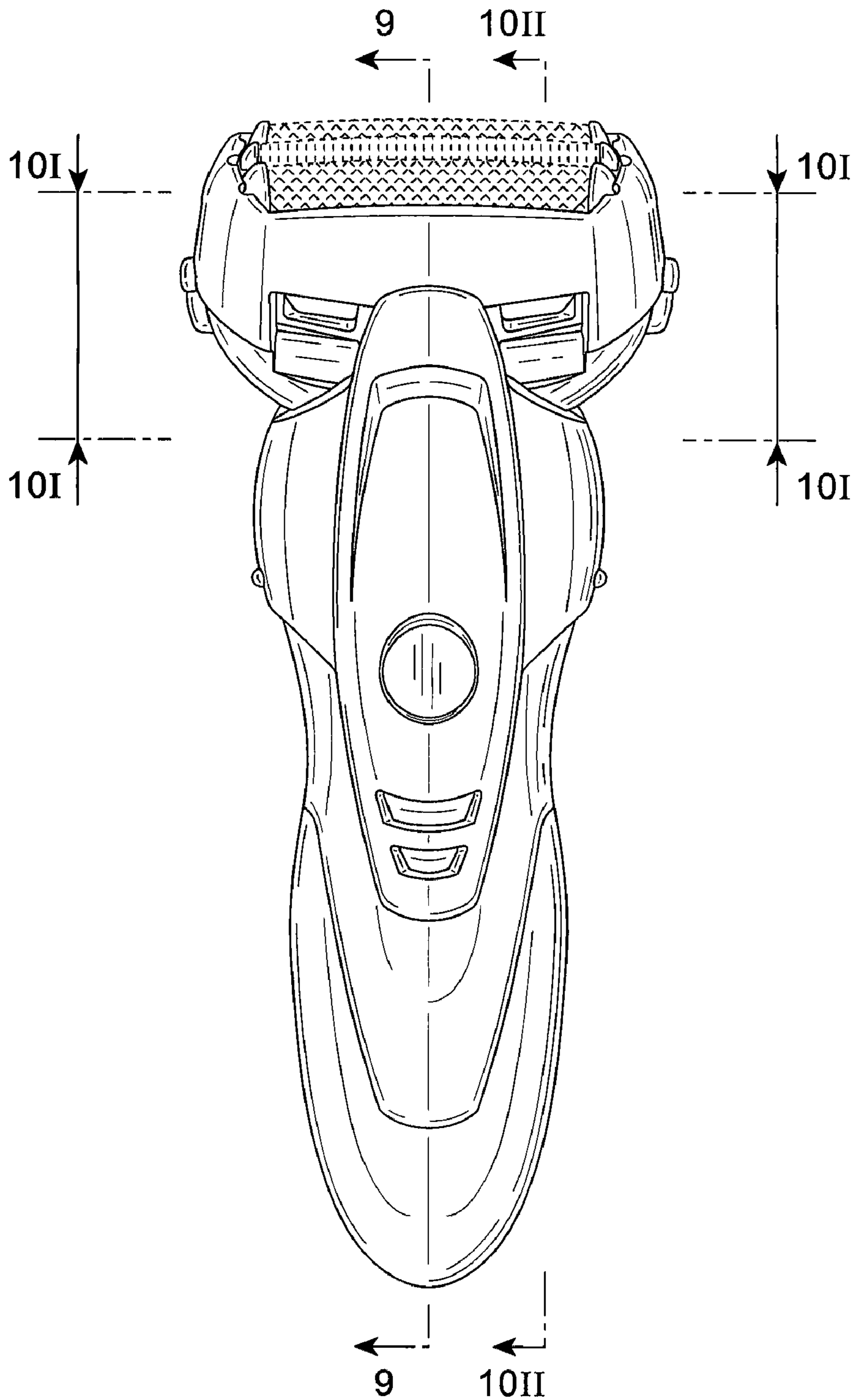


Fig.4

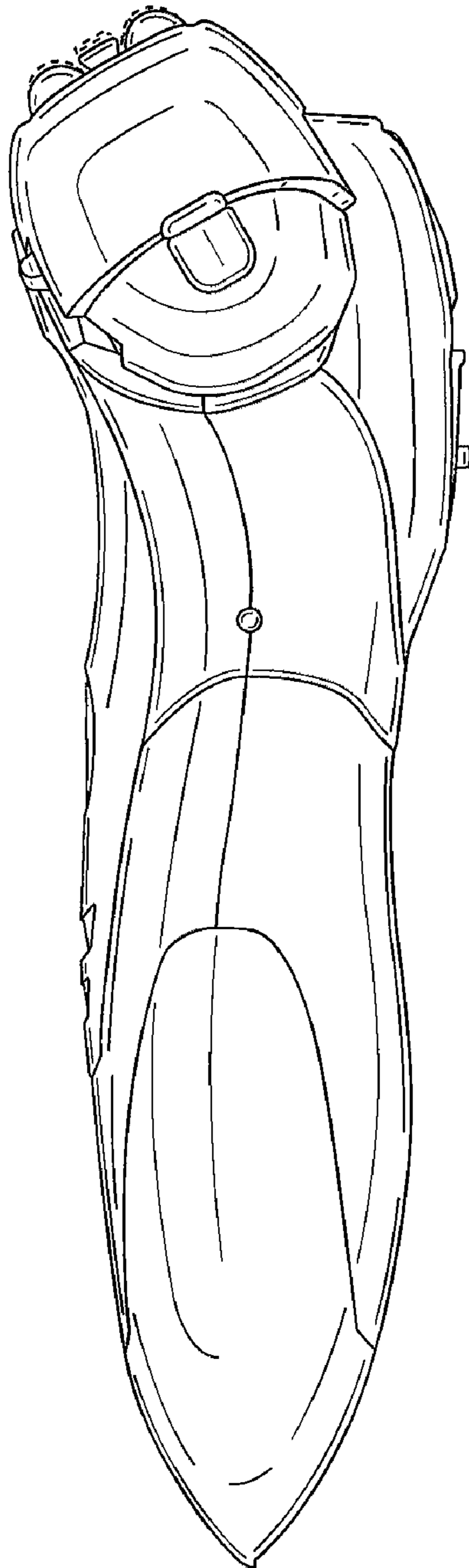


Fig.5

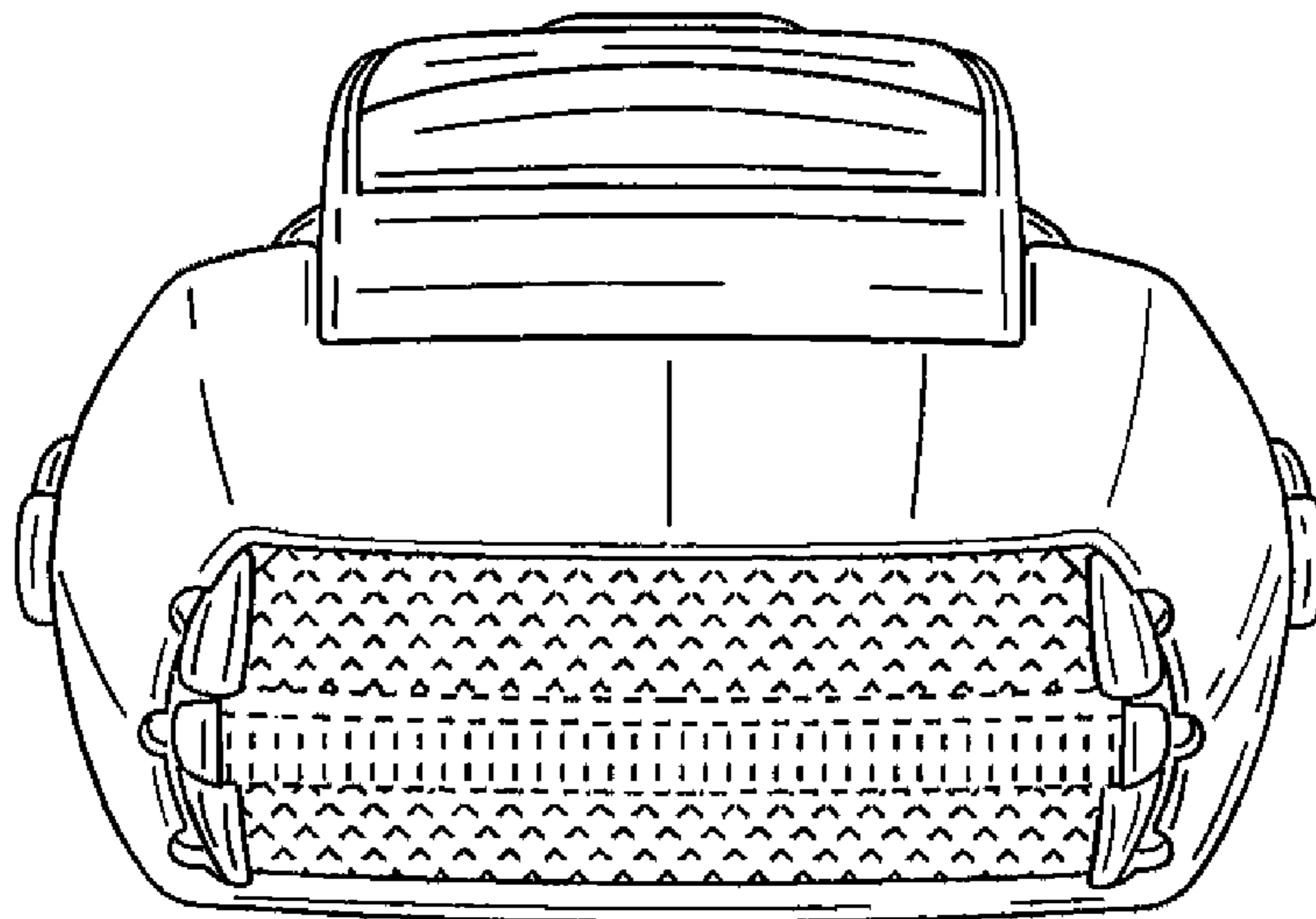


Fig.6

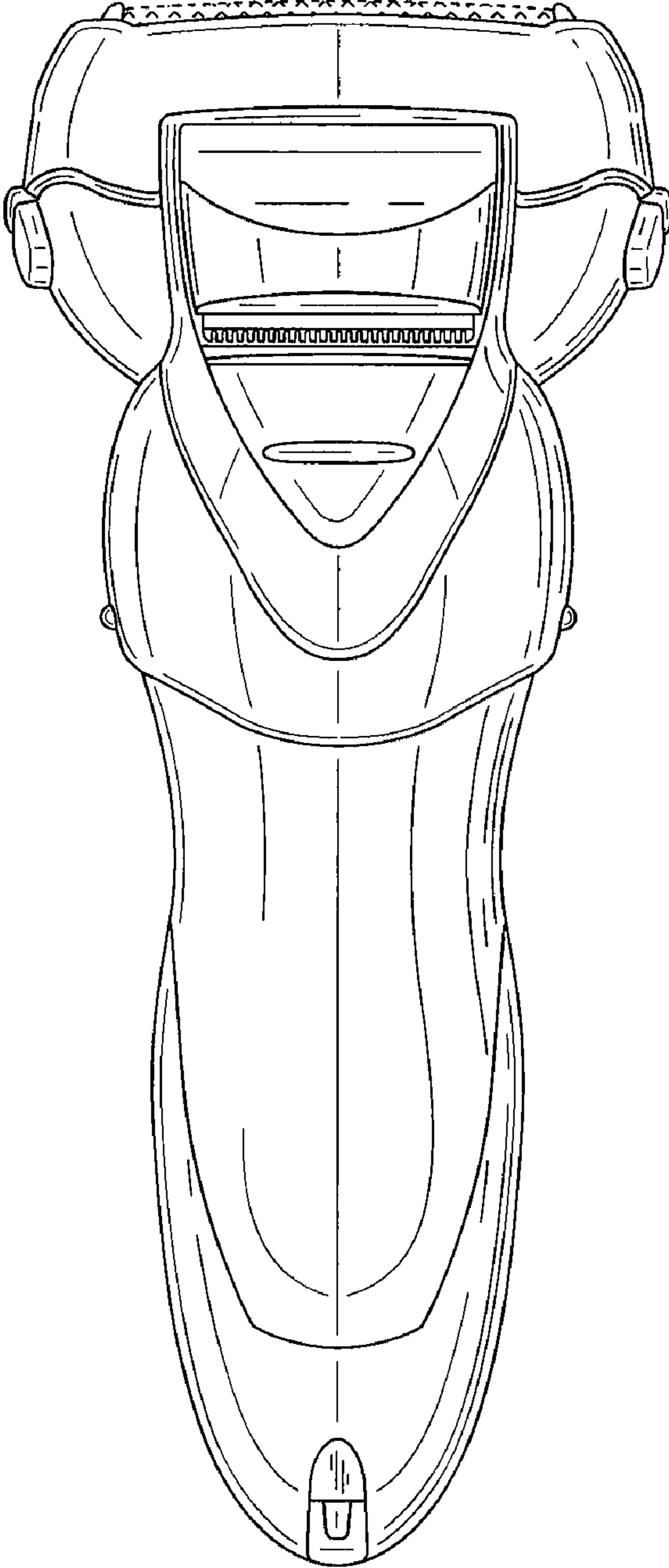


Fig.7

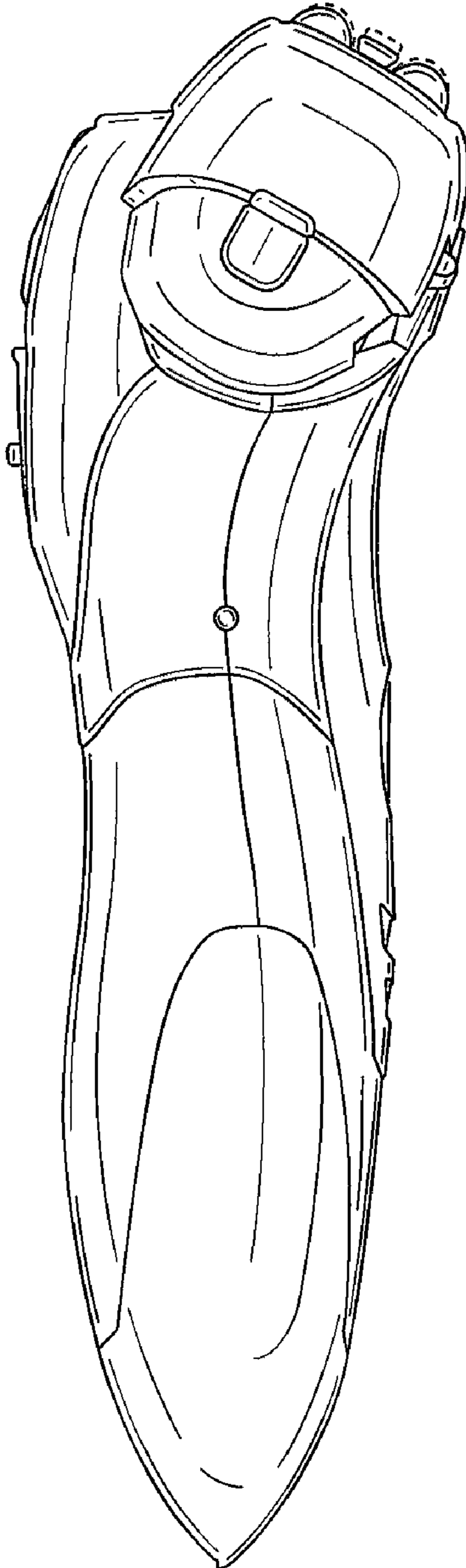


Fig.8

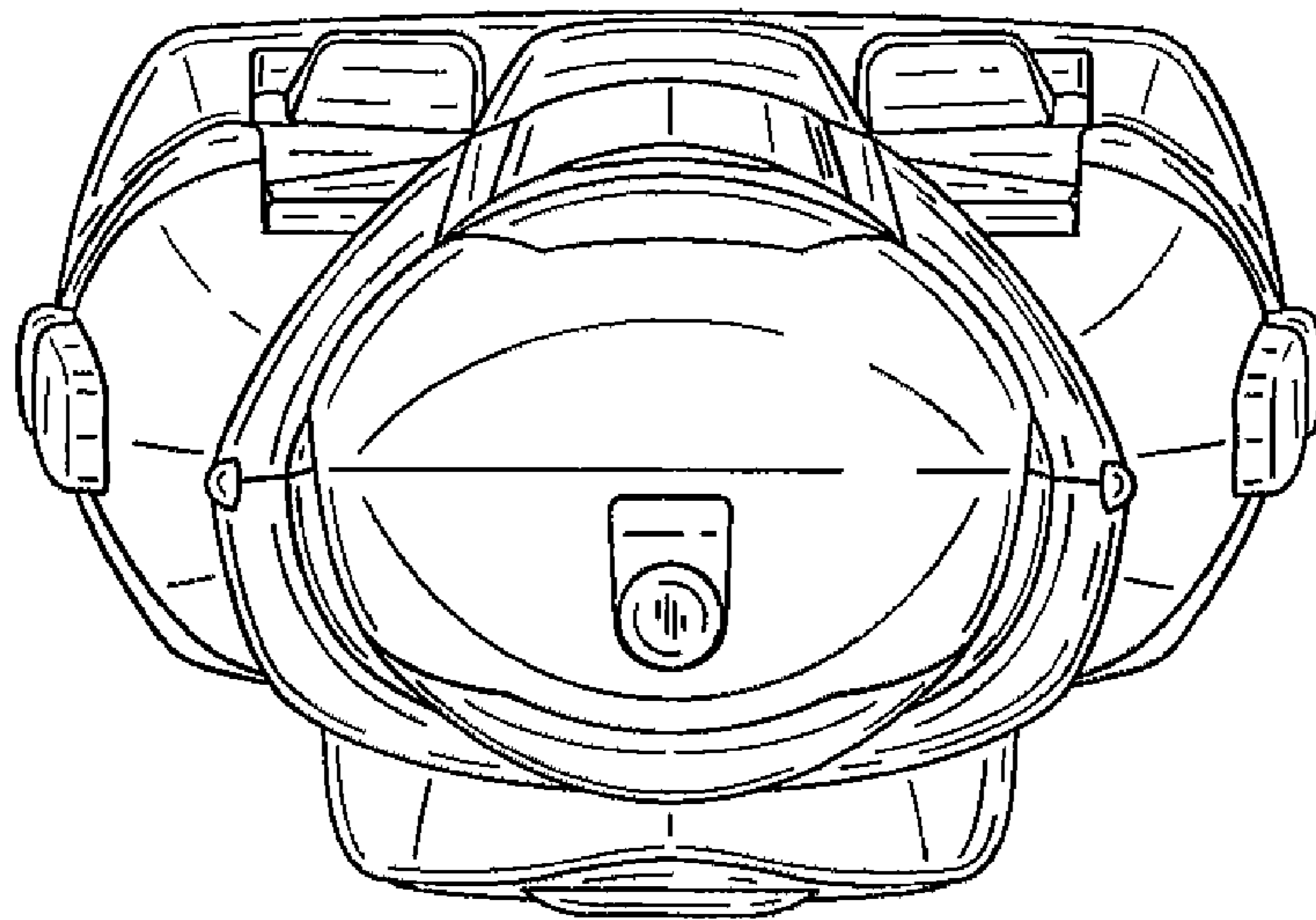


Fig.9

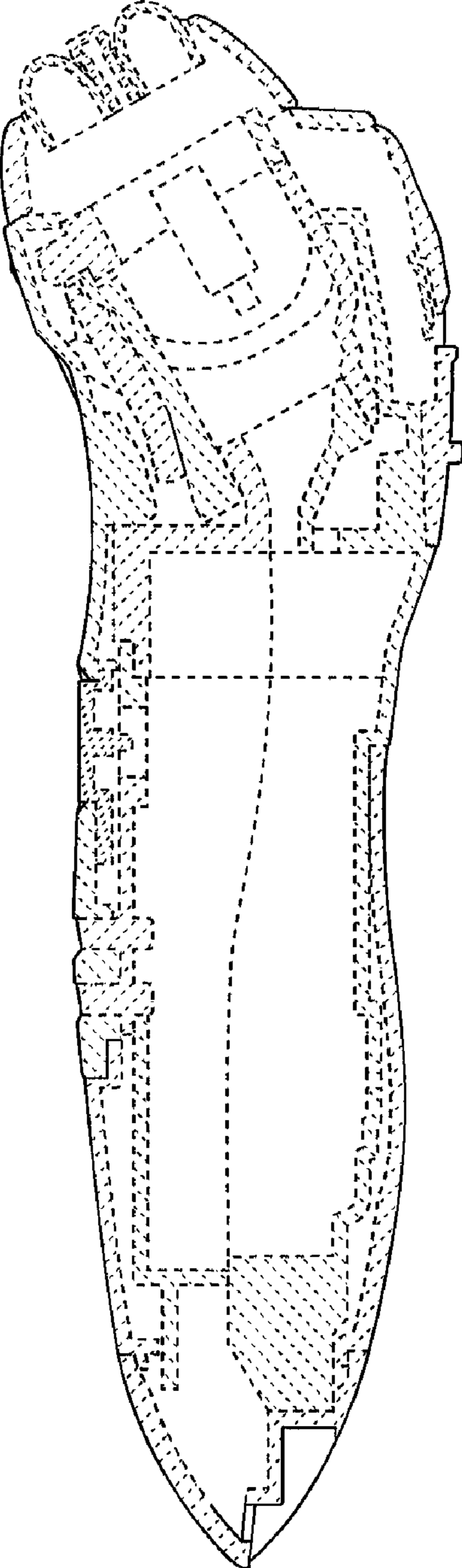


Fig. 10

