



US00D674541S

(12) **United States Design Patent**  
**Kim**

(10) **Patent No.:** **US D674,541 S**

(45) **Date of Patent:** **\*\* Jan. 15, 2013**

(54) **HAIR IRON**

*Primary Examiner* — Jennifer Rivard

(75) Inventor: **Yong Han Kim**, Little Neck, NY (US)

(74) *Attorney, Agent, or Firm* — The Farrell Law Firm, P.C.

(73) Assignee: **Kiss Nail Products, Inc.**, Port Washington, NY (US)

(57) **CLAIM**

(\*\*) Term: **14 Years**

The ornamental design for a hair iron, as shown and described.

(21) Appl. No.: **29/416,248**

(22) Filed: **Mar. 20, 2012**

**DESCRIPTION**

(51) **LOC (9) Cl.** ..... **28-03**

(52) **U.S. Cl.** ..... **D28/35**

(58) **Field of Classification Search** ..... D28/35–38;  
132/223–272; 219/222, 225–226

See application file for complete search history.

FIG. 1 is a top view of a hair iron showing my new design;  
FIG. 2 is a bottom view thereof;  
FIG. 3 is a front view thereof;  
FIG. 4 is a rear view thereof;  
FIG. 5 is a side view thereof, the opposite side view being a mirror image;  
FIG. 6 is a top front perspective view thereof, the opposite side view being a mirror image;  
FIG. 7 is a top rear perspective view thereof, the opposite side view being a mirror image; and,  
FIG. 8 is a bottom front perspective view thereof, the opposite side view being a mirror image.

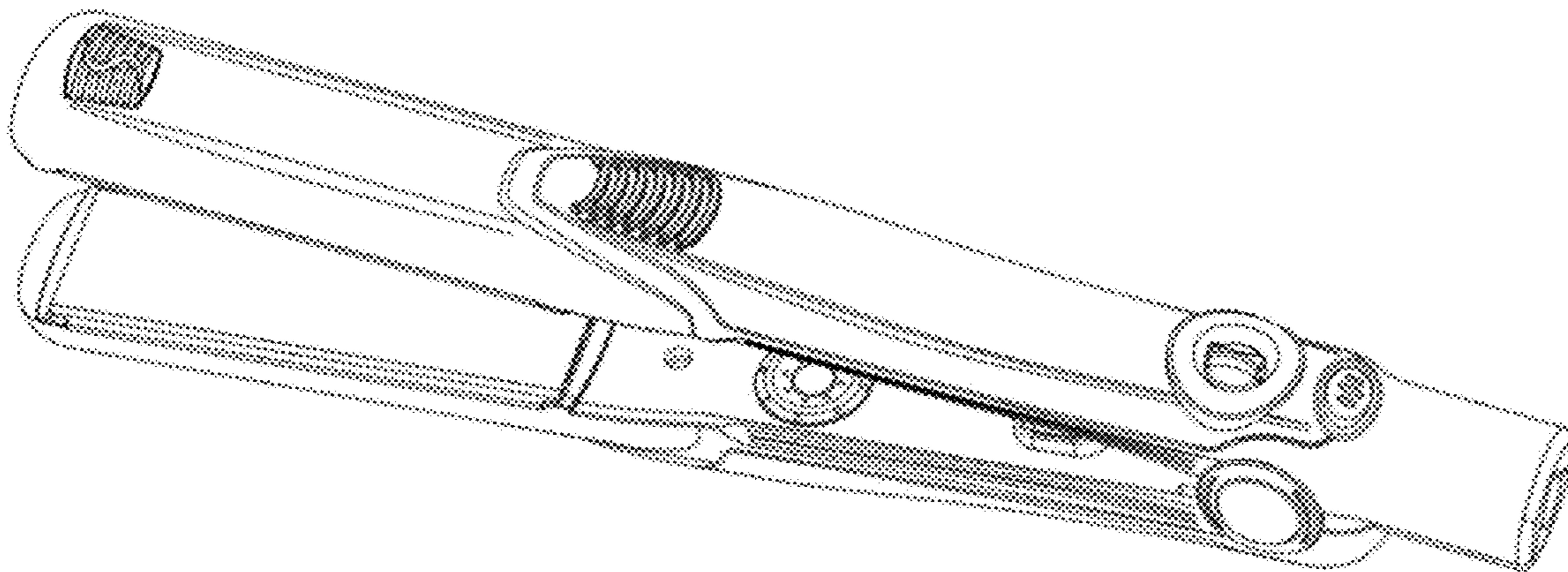
(56) **References Cited**

U.S. PATENT DOCUMENTS

D485,011 S	*	1/2004	Nam	.....	D28/35
D606,254 S	*	12/2009	Leung	.....	D28/35
D606,257 S	*	12/2009	Leung	.....	D28/35
D620,639 S	*	7/2010	Choi	.....	D28/35

\* cited by examiner

**1 Claim, 8 Drawing Sheets**



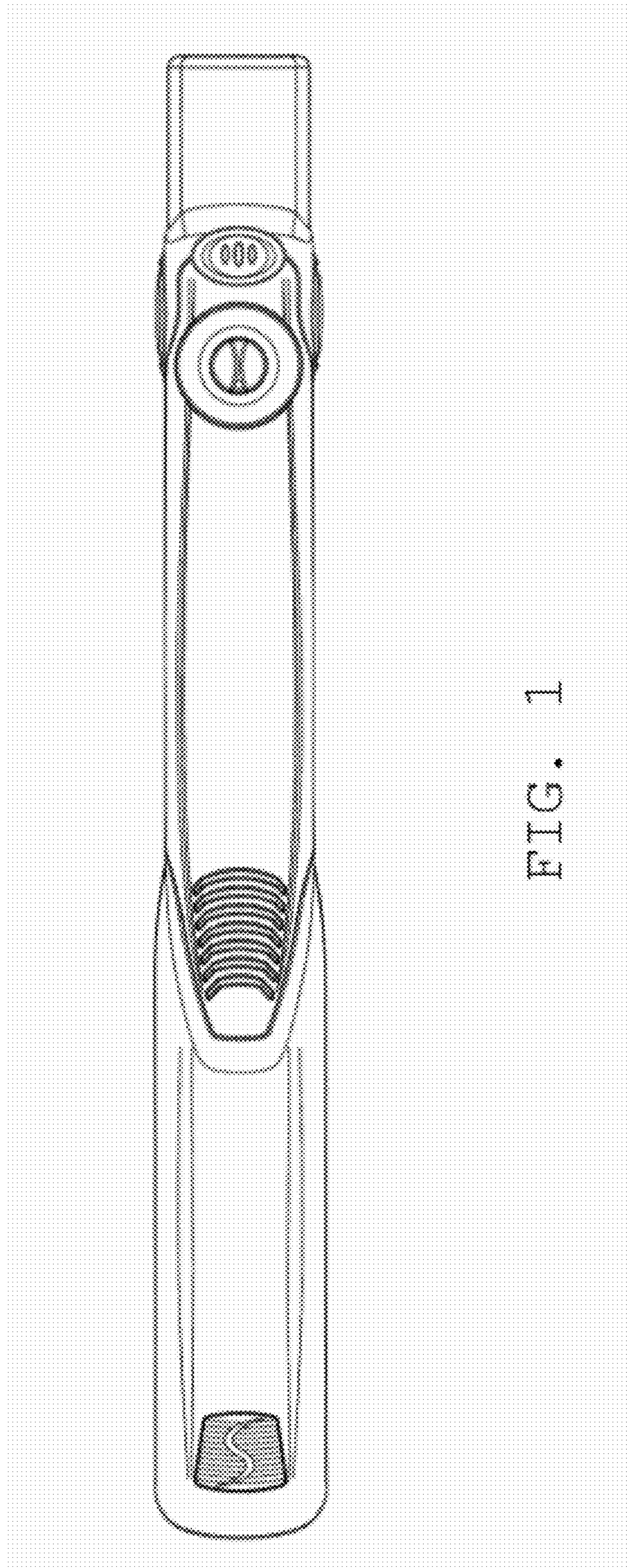


FIG. 1



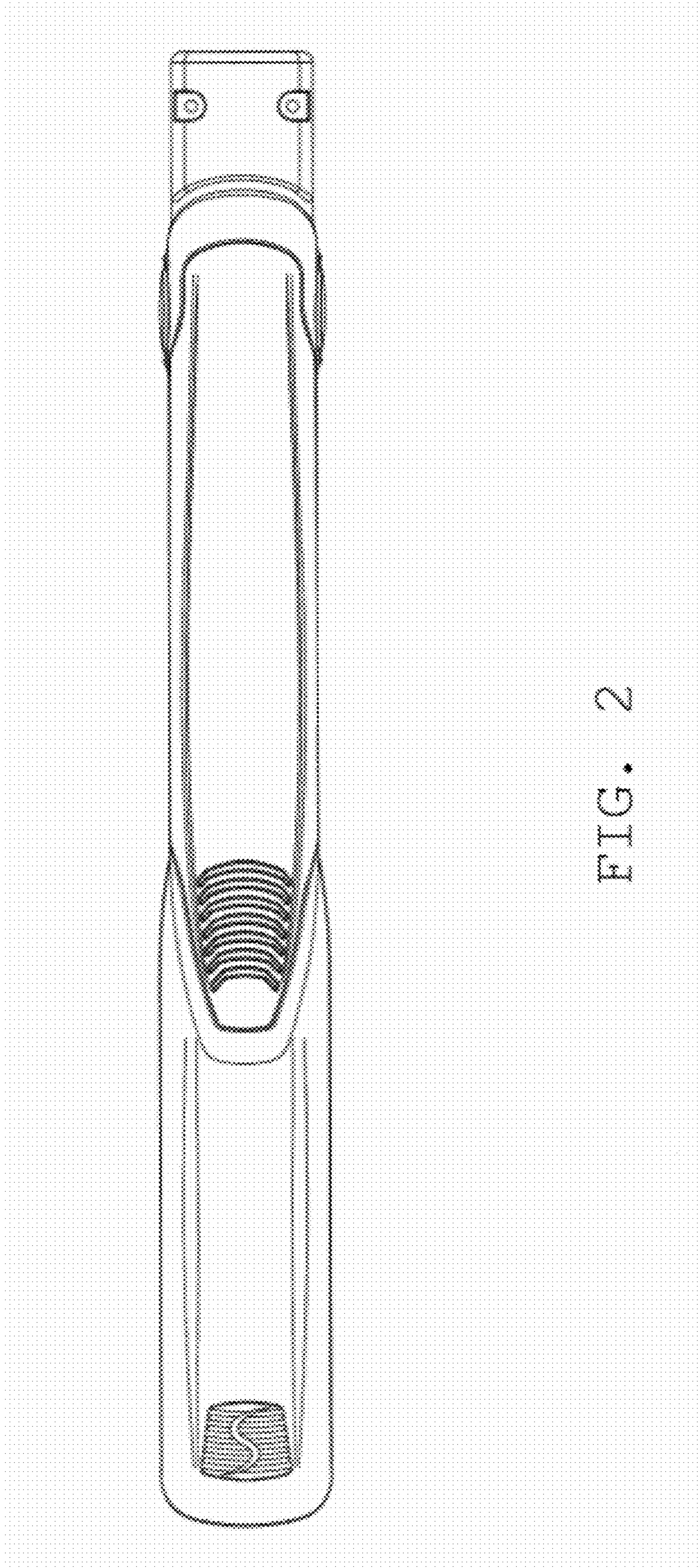


FIG. 2



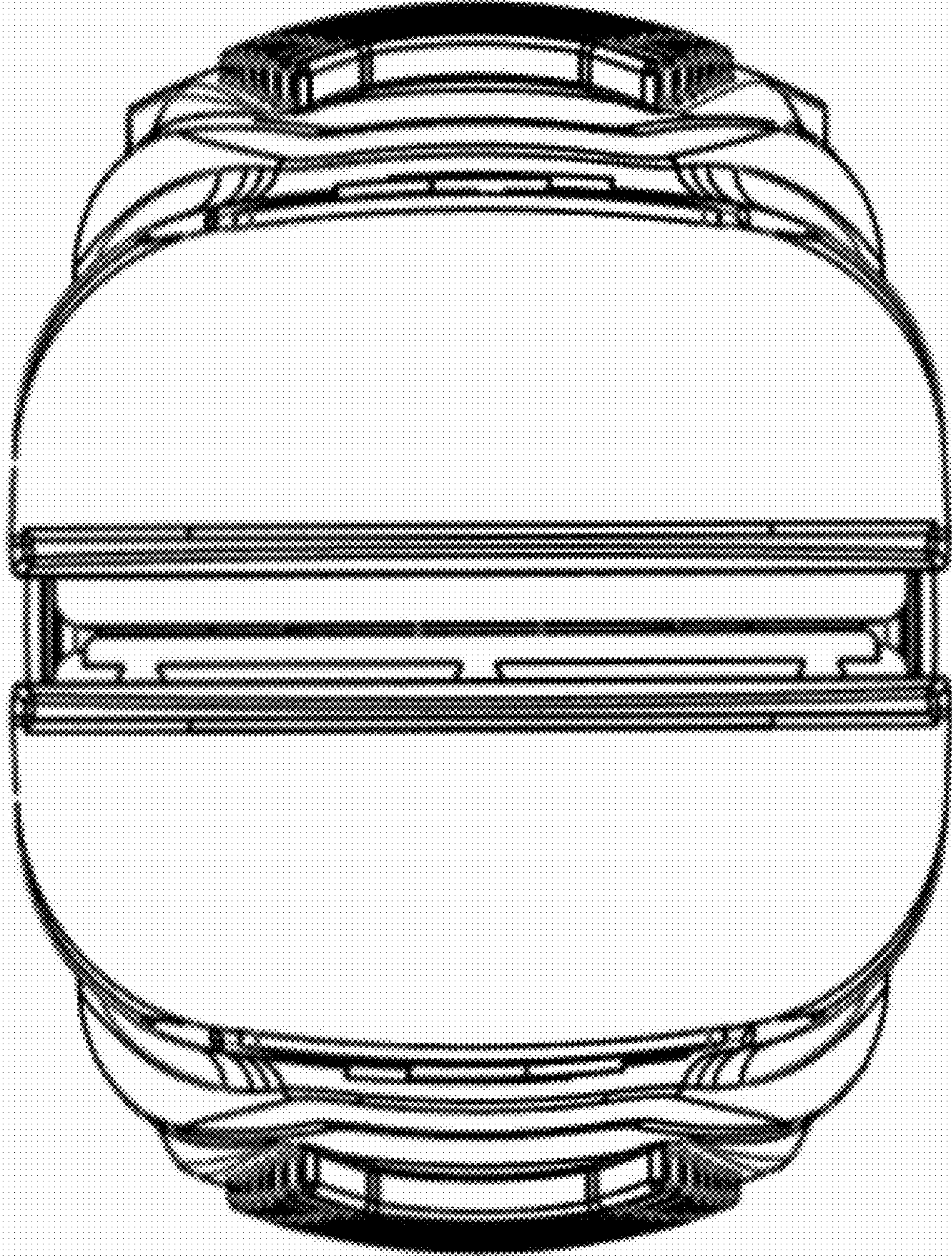


FIG. 3



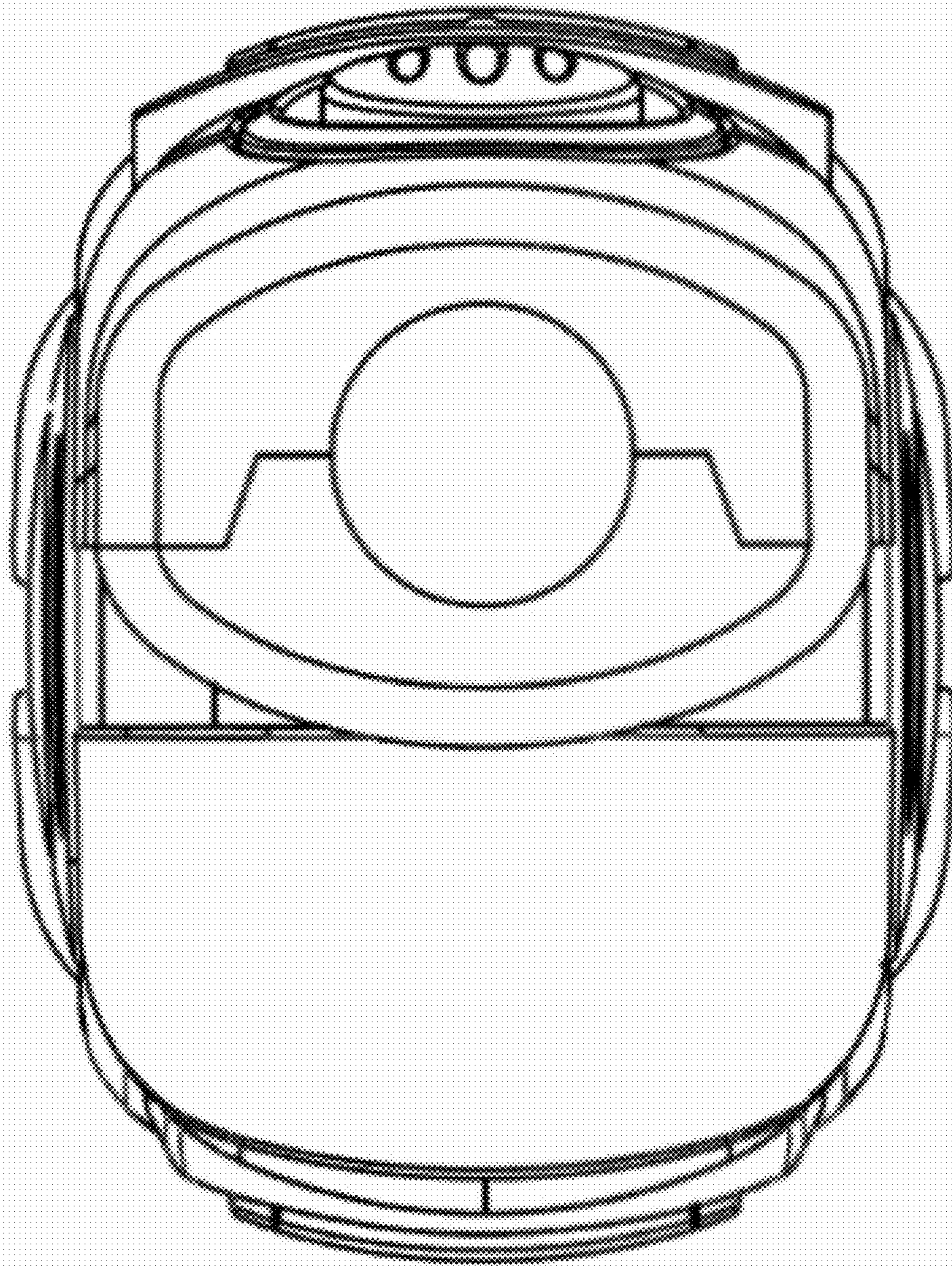


FIG. 4



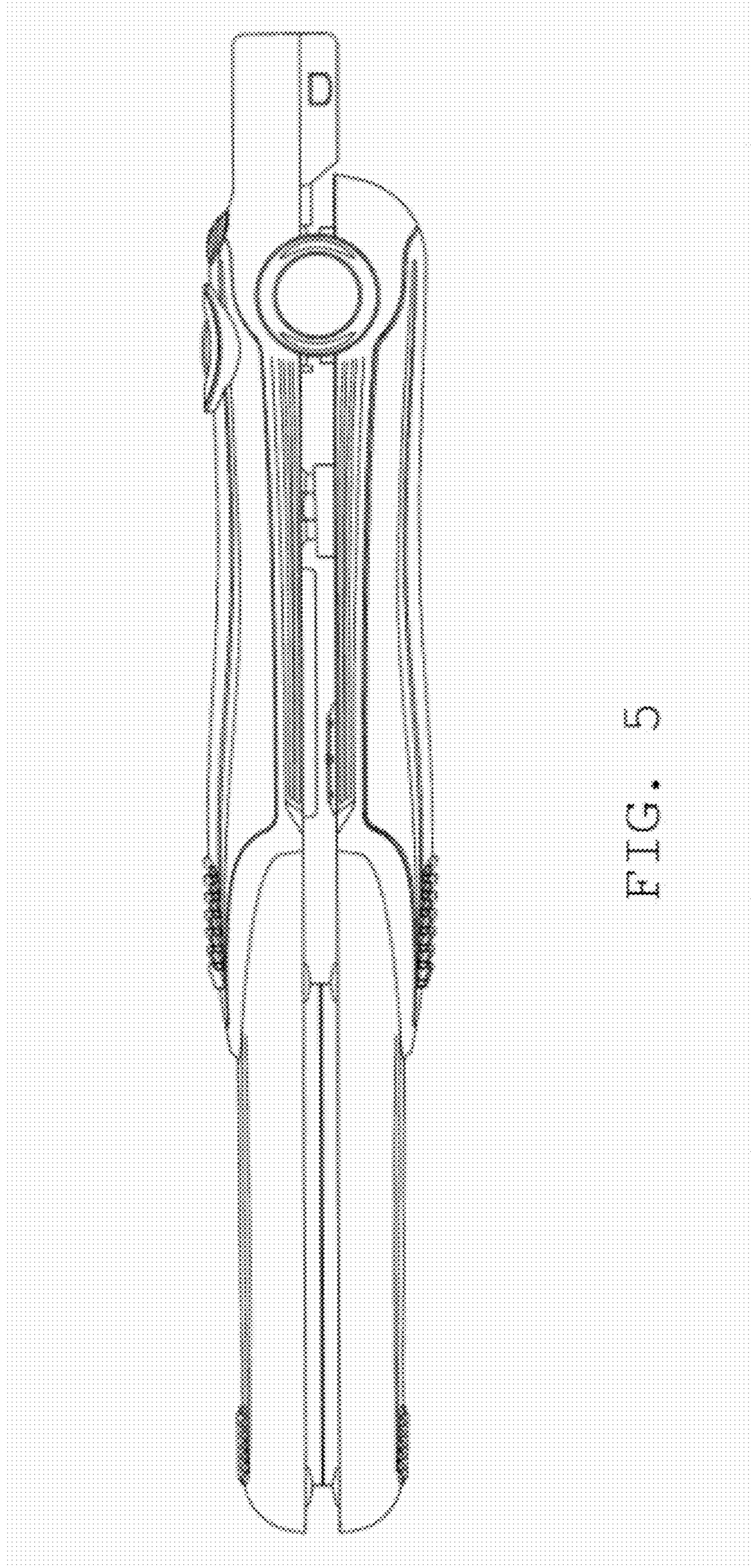


FIG. 5



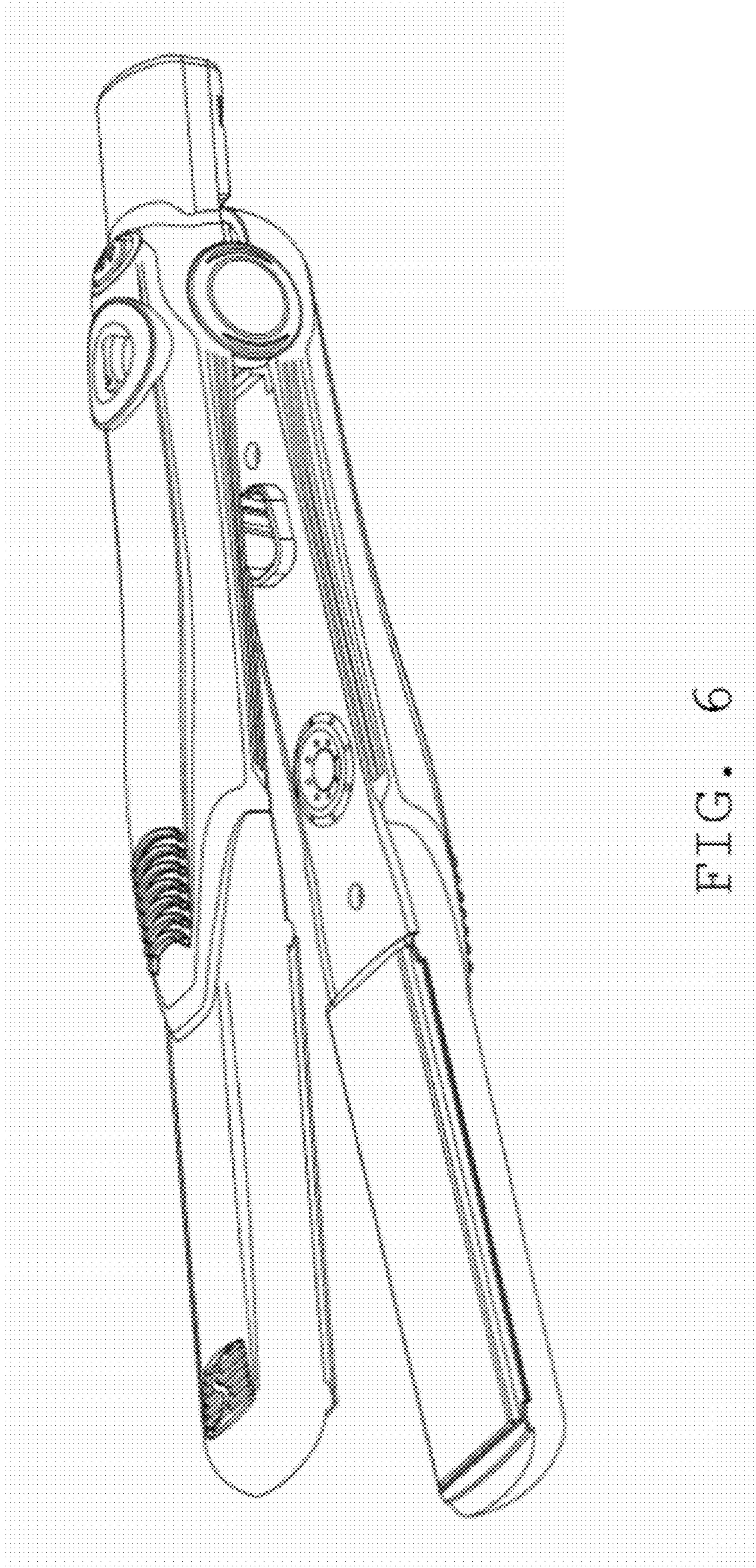


FIG. 6



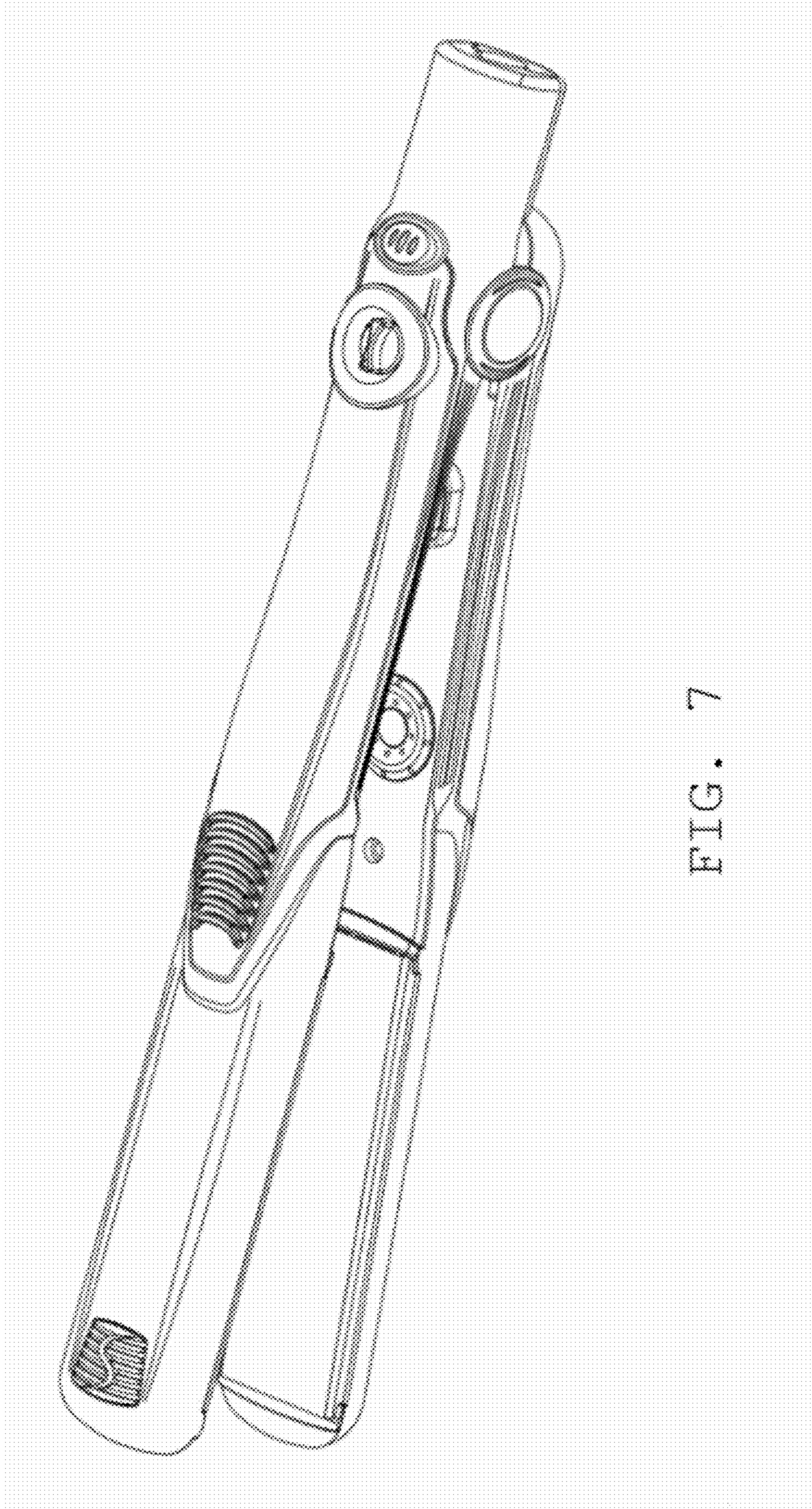


FIG. 7



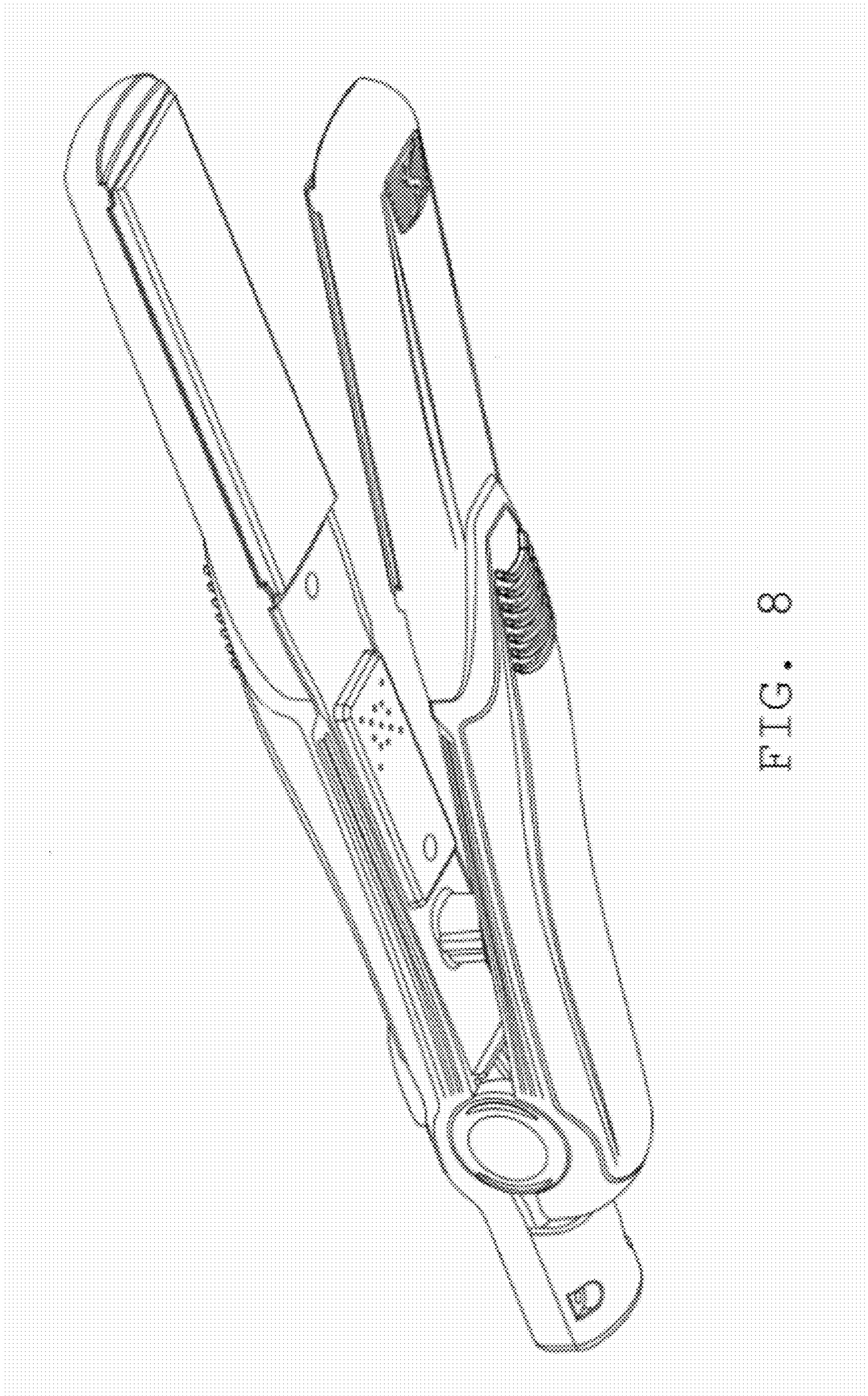


FIG. 8