



US00D674536S

(12) **United States Design Patent**  
**Macko et al.**

(10) **Patent No.:** **US D674,536 S**  
(45) **Date of Patent:** **\*\* Jan. 15, 2013**

(54) **SET OF ORAL TOBACCO ARTICLES**

(75) Inventors: **Jason Andrew Macko**, Richmond, VA (US); **James Lindsay Clark**, Richmond, VA (US); **Shannon Maxwell Black**, Richmond, VA (US); **Andrew Nathan Carroll**, Chester, VA (US); **Srinivasan Janardhan**, Glen Allen, VA (US)

3,693,629 A 9/1972 Broughton  
4,144,894 A 3/1979 Schmidt et al.  
4,317,837 A 3/1982 Kehoe et al.  
4,459,987 A \* 7/1984 Pangburn ..... 606/131  
4,513,756 A 4/1985 Pittman et al.  
4,545,392 A 10/1985 Sensabaugh, Jr. et al.  
4,572,222 A \* 2/1986 Pangburn ..... 132/76.4  
4,596,259 A 6/1986 White et al.  
4,624,269 A 11/1986 Story et al.  
4,712,552 A \* 12/1987 Pangburn ..... 606/131

(73) Assignee: **U.S. Smokeless Tobacco Company LLC**, Richmond, VA (US)

(\*\*) Term: **14 Years**

(21) Appl. No.: **29/380,744**

(22) Filed: **Dec. 10, 2010**

(51) **LOC (9) Cl.** ..... **27-01**

(52) **U.S. Cl.** ..... **D27/100**

(58) **Field of Classification Search** ..... D27/100;  
D25/113; D21/499; D24/101, 103, 104;  
D9/721; D28/7, 8, 8.1, 8.2, 56, 57, 59, 63;  
D1/100, 105, 127, 128, 129, 199; D19/53

See application file for complete search history.

(56) **References Cited**

**U.S. PATENT DOCUMENTS**

114,901 A 5/1871 Alden  
639,366 A 12/1899 Dudley  
865,026 A 9/1907 Ellis  
904,521 A 11/1908 Ellis  
D56,903 S \* 1/1921 Wentz ..... D6/536  
D56,913 S \* 1/1921 Edgerton ..... D1/100  
1,376,586 A 5/1921 Schwartz  
2,635,273 A \* 4/1953 Logan ..... 401/8  
2,708,175 A 5/1954 Samfield et al.  
2,826,906 A \* 3/1958 Rice ..... 52/585.1  
2,887,414 A 5/1959 Rosenberg et al.  
3,016,907 A 1/1962 Rosenberg et al.

(Continued)  
**FOREIGN PATENT DOCUMENTS**

WO WO 2006/127772 11/2006  
(Continued)

**OTHER PUBLICATIONS**

Petersik, Sherry, Our Cheap-o Patio Makeover, May, 26, 2009, www.younghouselove.com, p. 5.\*

*Primary Examiner* — Robert M Spear  
*Assistant Examiner* — Janice Hallmark

(74) *Attorney, Agent, or Firm* — Fish & Richardson P.C.

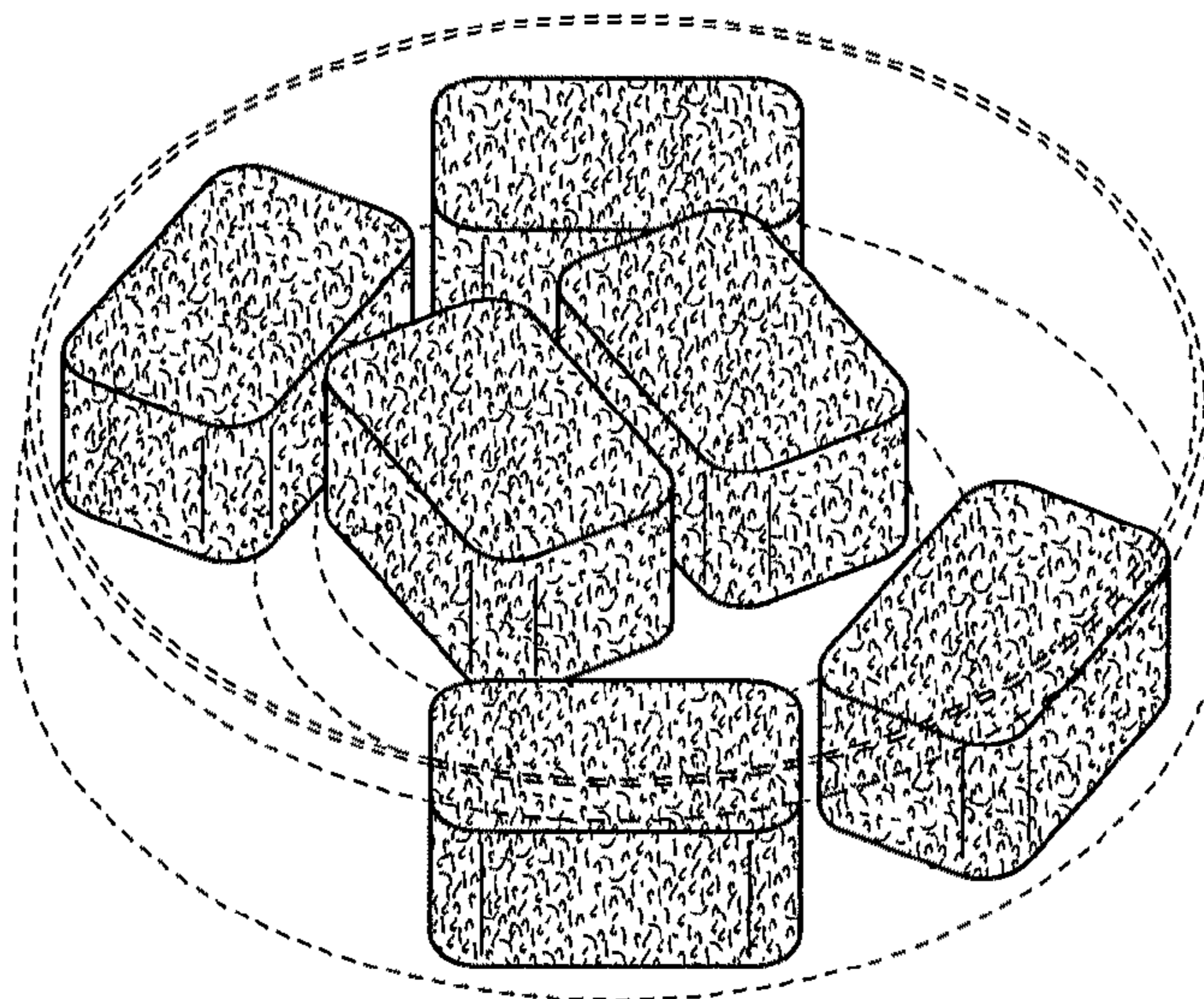
(57) **CLAIM**

The ornamental design for an set of oral tobacco articles, substantially as shown and described.

**DESCRIPTION**

FIG. 1 is a perspective view of an set of oral tobacco articles; and,  
FIG. 2 is top view of the set of oral tobacco articles of FIG. 1, the bottom view being a mirror image.  
The broken lines which define environmental structure of the claimed design form no part thereof. The broken lines depict a container with the lid removed (i.e., upon opening by an adult tobacco consumer).

**1 Claim, 1 Drawing Sheet**



# US D674,536 S

Page 2

## U.S. PATENT DOCUMENTS

4,917,161	A	4/1990	Townend	
4,972,855	A	11/1990	Kuriyama et al.	
5,387,416	A	2/1995	White et al.	
5,584,306	A	12/1996	Beauman et al.	
5,651,642	A *	7/1997	Kelley et al.	405/286
5,679,467	A *	10/1997	Priluck	428/596
5,873,206	A *	2/1999	Roberts	52/245
D420,171	S *	2/2000	Fauerbach et al.	D28/59
6,817,154	B2 *	11/2004	Dolan et al.	52/603
6,834,654	B2	12/2004	Williams	
6,877,290	B2 *	4/2005	Mason	52/603
7,073,476	B2 *	7/2006	Yamamura et al.	123/195 R
D574,516	S *	8/2008	Bouchard	D25/113
7,661,433	B2	2/2010	Calandro et al.	
7,810,507	B2	10/2010	Dube et al.	
7,983,465	B2 *	7/2011	Leroux et al.	382/131
8,033,425	B2 *	10/2011	Gelardi	221/263
2004/0074192	A1 *	4/2004	Mason	52/604
2004/0118422	A1	6/2004	Lundin et al.	
2004/0123873	A1	7/2004	Calandro et al.	
2004/0217024	A1	11/2004	Arnarp et al.	
2005/0091940	A1 *	5/2005	Whitson	52/574
2005/0244521	A1	11/2005	Strickland et al.	
2006/0191548	A1	8/2006	Strickland et al.	

2007/0062549	A1	3/2007	Holton, Jr. et al.	
2007/0186941	A1	8/2007	Holton, Jr. et al.	
2008/0029110	A1	2/2008	Dube et al.	
2008/0149121	A1	6/2008	Wrenn et al.	
2008/0206432	A1	8/2008	Torrens et al.	
2008/0298902	A1 *	12/2008	Knudson et al.	405/286
2009/0025738	A1	1/2009	Mua et al.	
2009/0025739	A1	1/2009	Brinkley et al.	
2009/0065013	A1	3/2009	Essen et al.	
2009/0133703	A1	5/2009	Strickland et al.	
2009/0133704	A1	5/2009	Strickland et al.	
2009/0293889	A1	12/2009	Kumar et al.	
2009/0301028	A1 *	12/2009	Pfaff	52/741.11
2010/0000888	A1	1/2010	Cronin et al.	
2010/0101170	A1 *	4/2010	Mancine	52/570
2010/0187143	A1	7/2010	Essen	
2010/0263310	A1 *	10/2010	Wauhopp	52/250
2011/0023403	A1 *	2/2011	Joslyn et al.	52/572
2011/0265414	A1 *	11/2011	Ciccarelli	52/426
2012/0024301	A1	2/2012	Carroll	
2012/0167902	A1 *	7/2012	Macko et al.	131/112

## FOREIGN PATENT DOCUMENTS

WO      WO 2010/086010      8/2010

\* cited by examiner

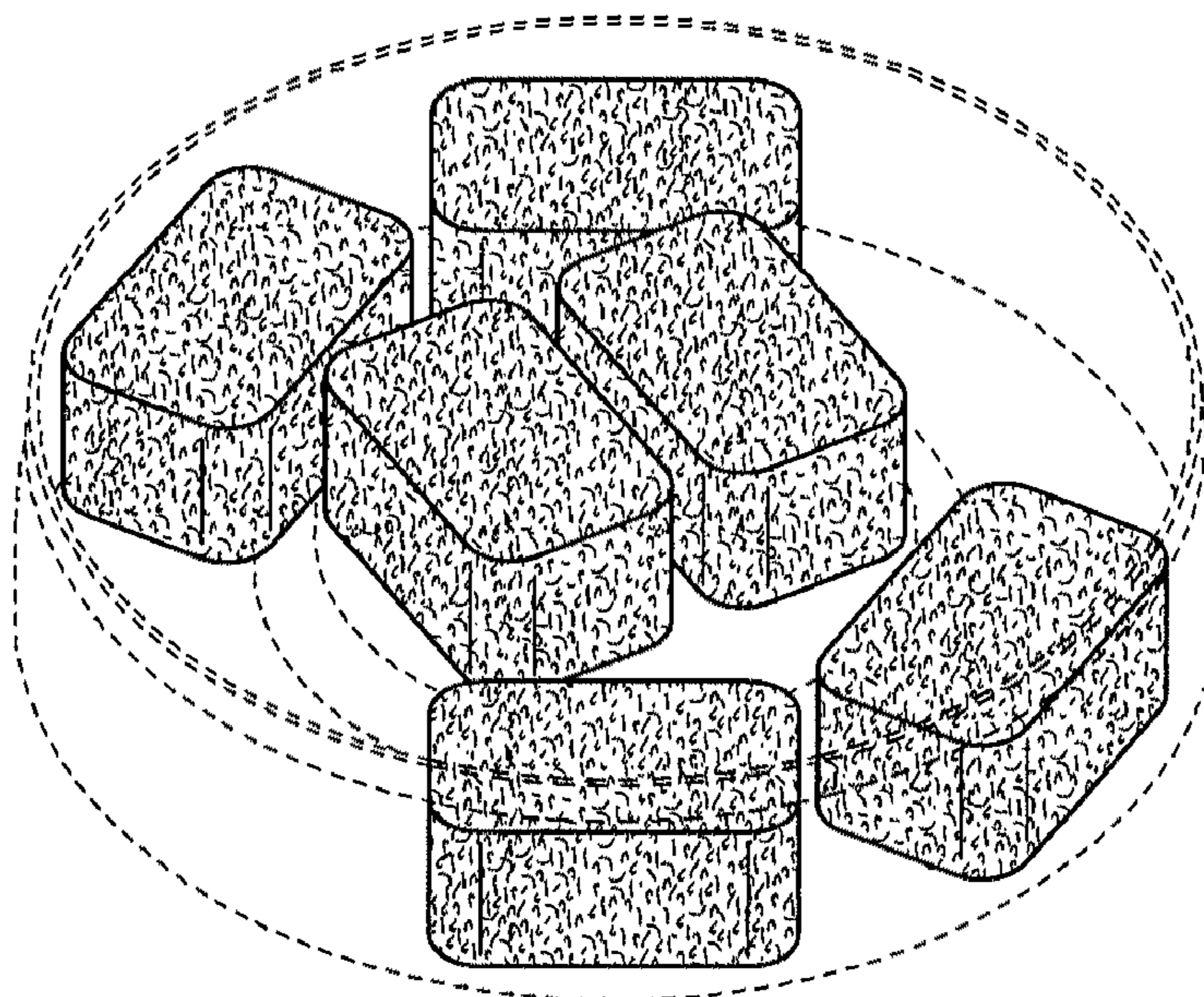


FIG. 1

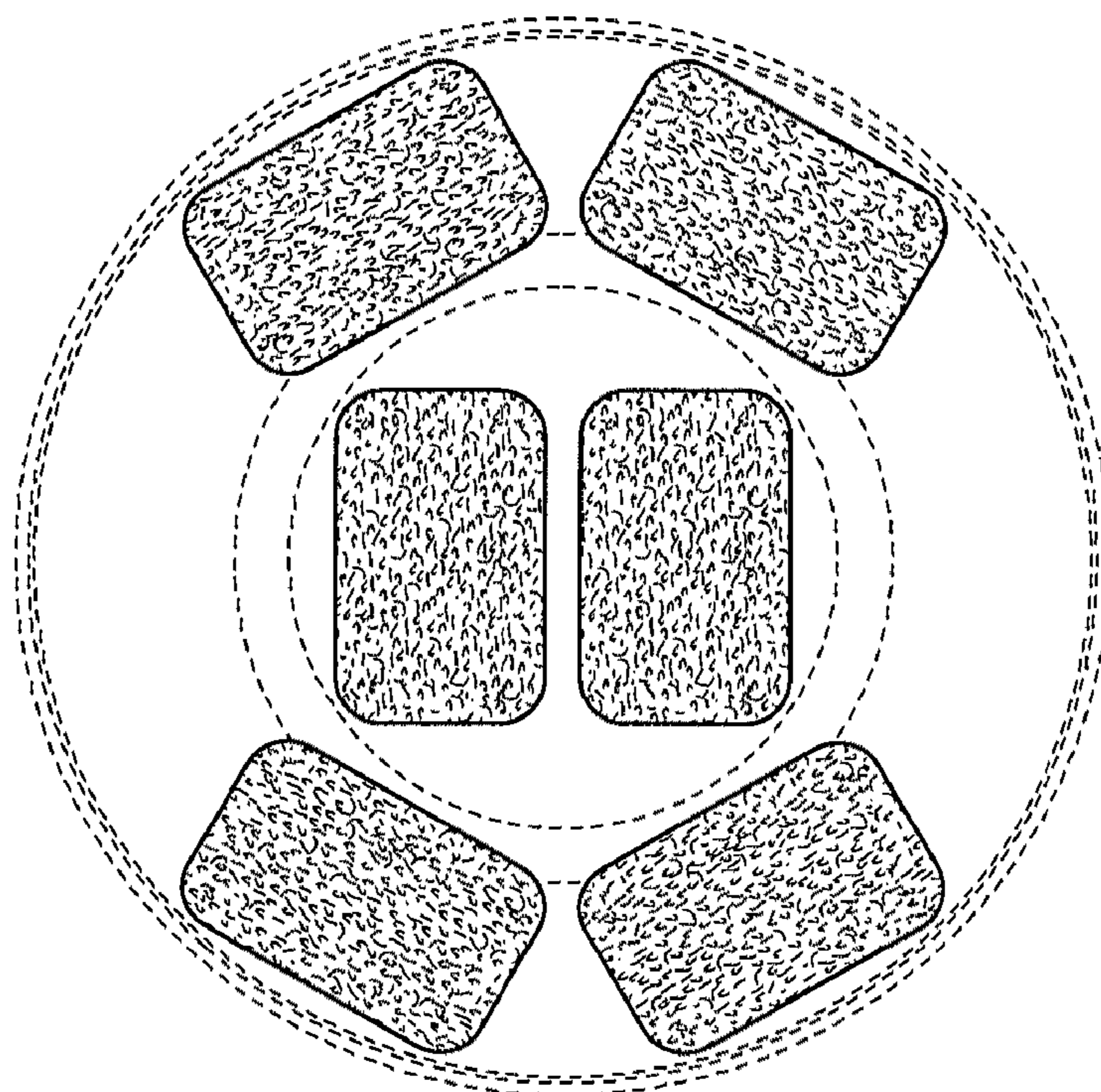


FIG. 2