



US00D674531S

(12) **United States Design Patent**
Yuen

(10) **Patent No.:** **US D674,531 S**
(45) **Date of Patent:** **** Jan. 15, 2013**

(54) **LED TABLE LAMP**

(75) Inventor: **Se Kit Yuen**, Kowloon Tong (HK)

(73) Assignee: **John Manufacturing Ltd.**, Kowloon (HK)

(**) Term: **14 Years**

(21) Appl. No.: **29/398,637**

(22) Filed: **Aug. 2, 2011**

(30) **Foreign Application Priority Data**

Mar. 31, 2011 (HK) 1100528

(51) **LOC (9) Cl.** **26-03**

(52) **U.S. Cl.** **D26/93**

(58) **Field of Classification Search** D26/24,
D26/61-67, 93, 102, 104-105, 108-10, 107;
362/509, 516, 523, 186, 217, 255, 257, 277,
362/317, 319, 351, 354, 355, 357, 358, 362,
362/382, 410, 413, 417, 806

See application file for complete search history.

(56) **References Cited**

U.S. PATENT DOCUMENTS

D203,215 S *	12/1965	Koch	D26/93
D295,327 S *	4/1988	Ansems	D26/65
D314,058 S *	1/1991	Yuan	D26/63
D570,514 S *	6/2008	Iai et al.	D26/65
D645,197 S *	9/2011	Waldmann	D26/93
D648,475 S *	11/2011	Heyrman	D26/93

* cited by examiner

Primary Examiner — Brian N Vinson

(74) *Attorney, Agent, or Firm* — Intellectual Property Law Group LLP

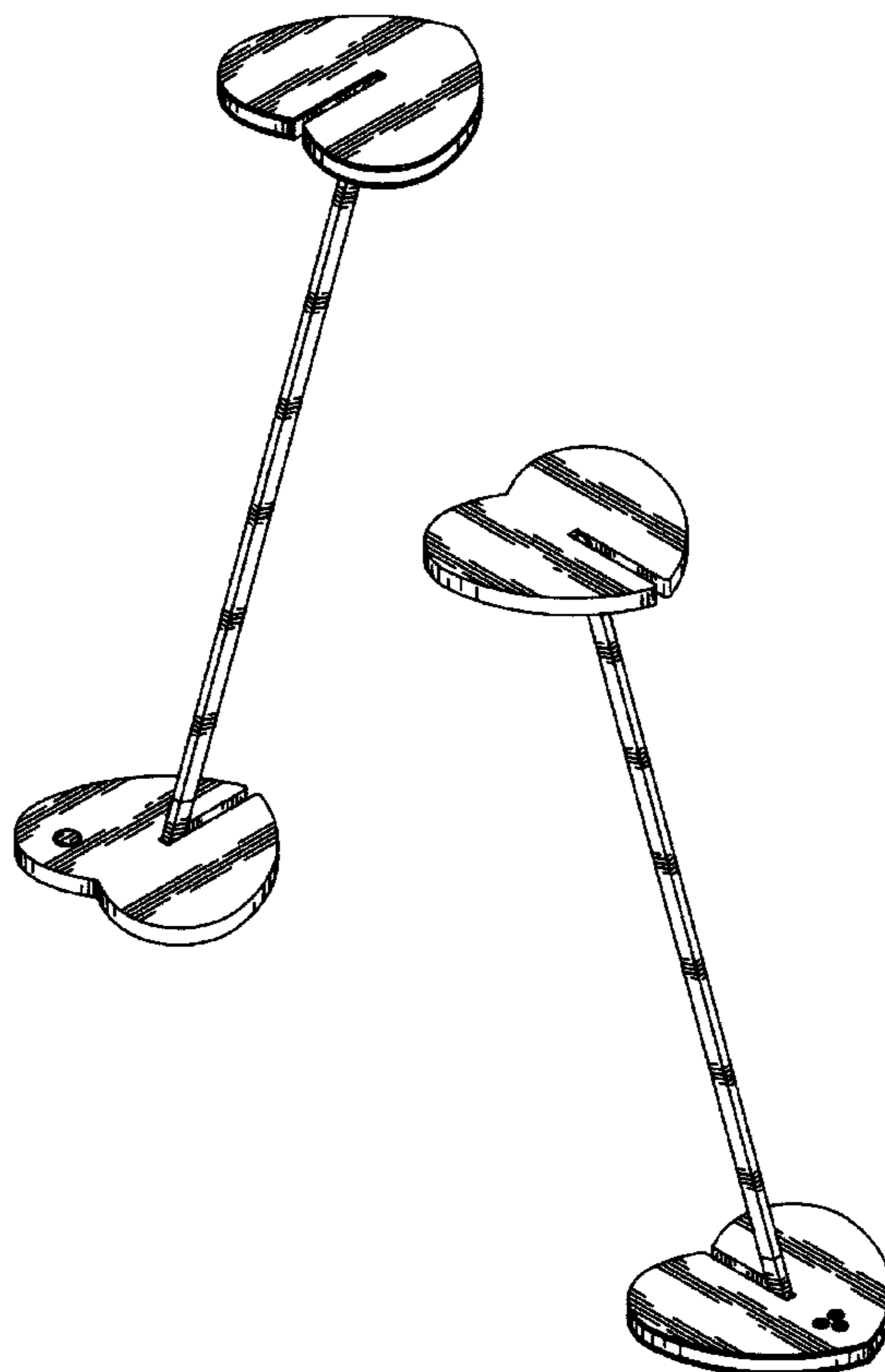
(57) **CLAIM**

The ornamental design for an LED table lamp, as shown and described.

DESCRIPTION

FIG. 1 is a top, front, right side perspective view of an LED table lamp embodying my new design;
FIG. 2 is a bottom, rear, left side perspective view thereof;
FIG. 3 is a front elevational view thereof;
FIG. 4 is a rear elevational view thereof;
FIG. 5 is a right side elevational view thereof;
FIG. 6 is a left side elevational view thereof;
FIG. 7 is a top plan view thereof; and,
FIG. 8 is a bottom plan view thereof.

1 Claim, 4 Drawing Sheets



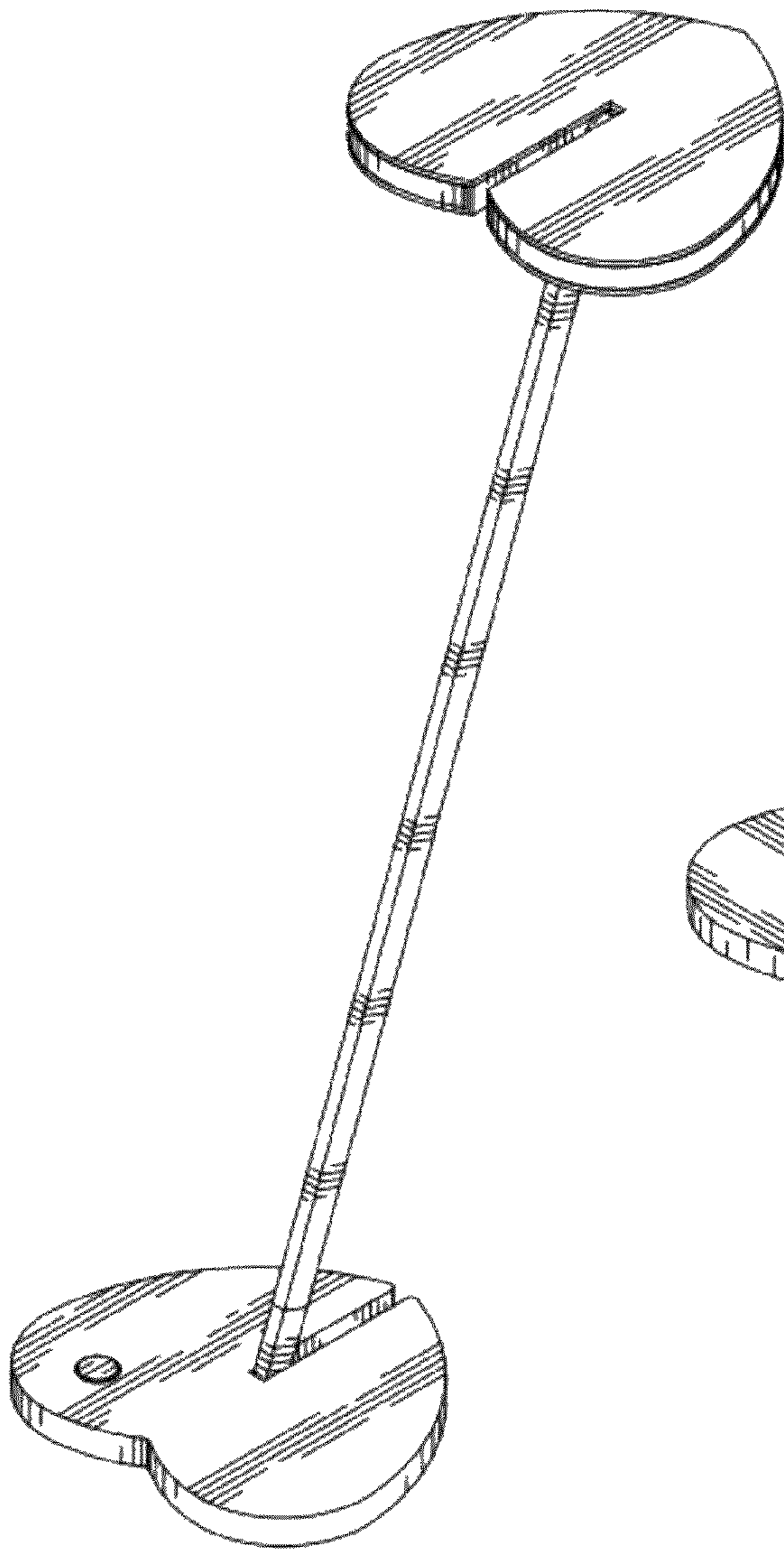


FIG. 1

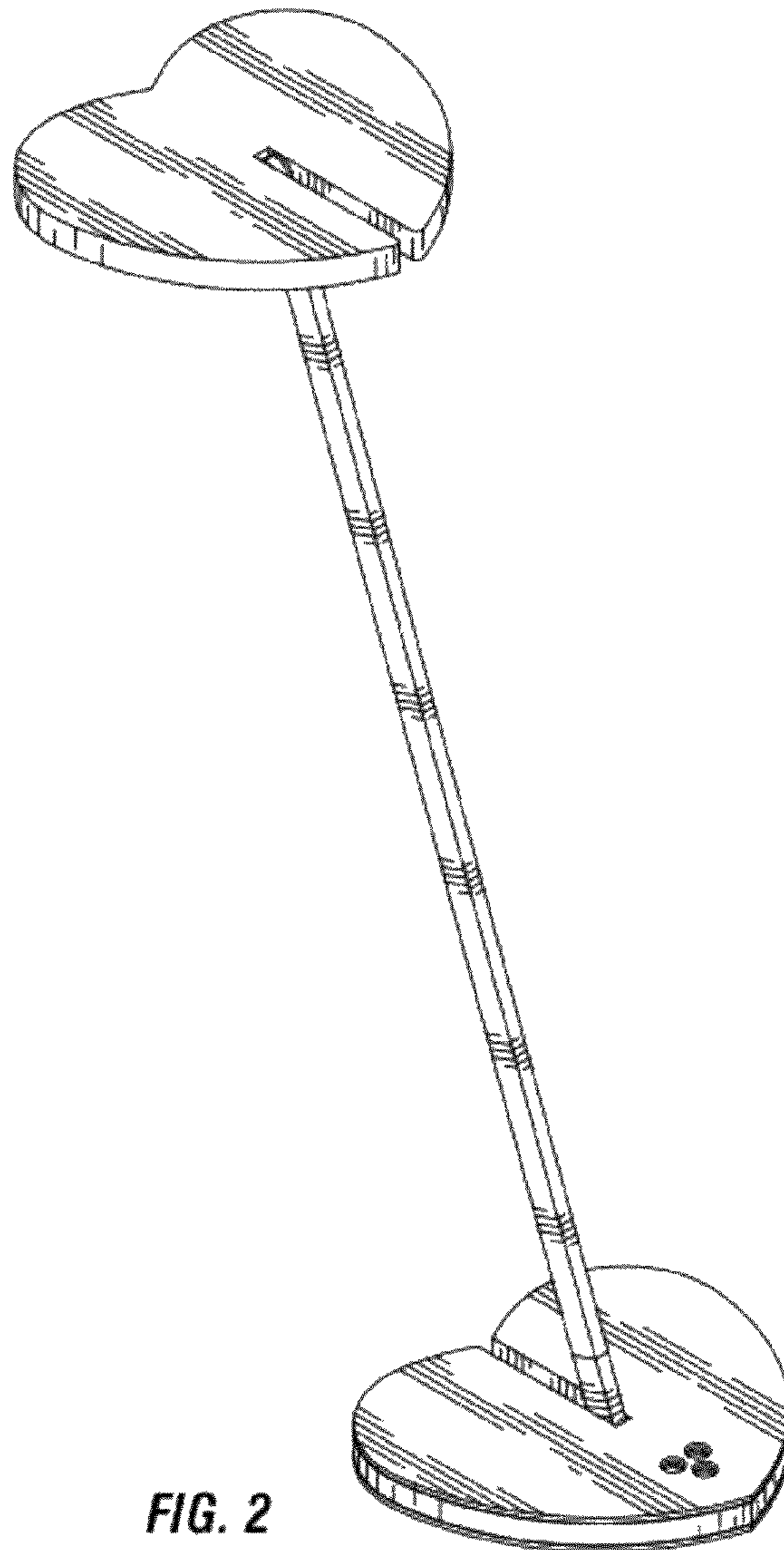


FIG. 2

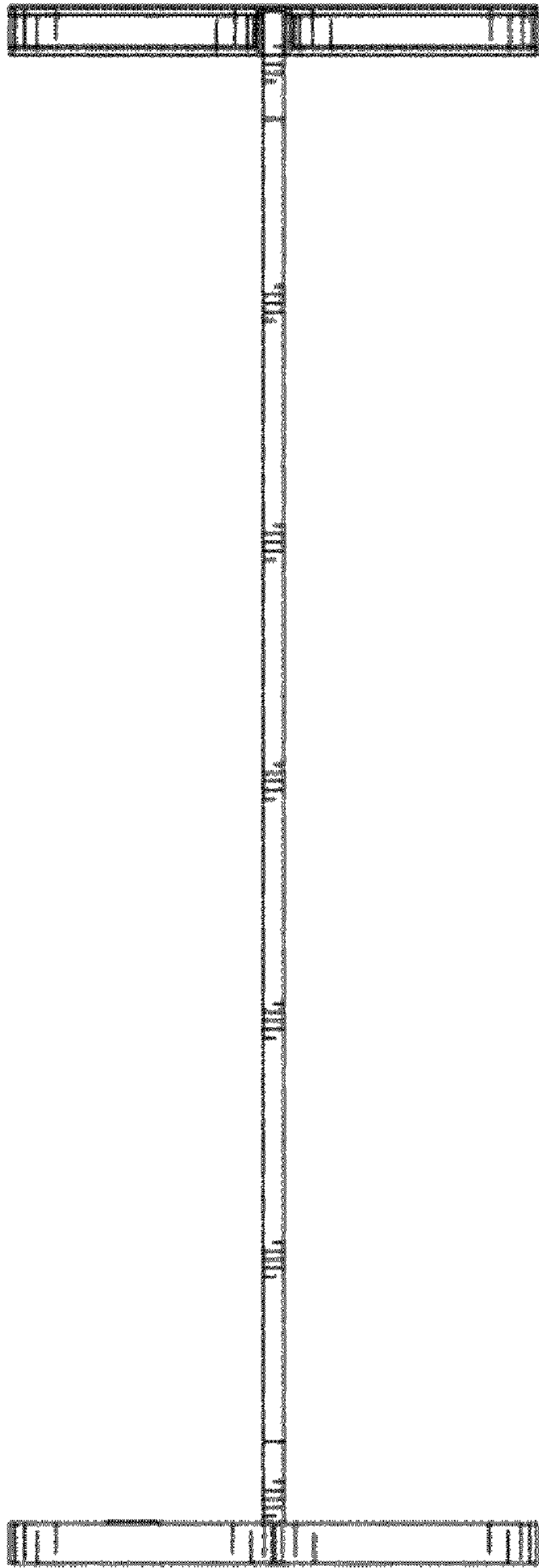


FIG. 3

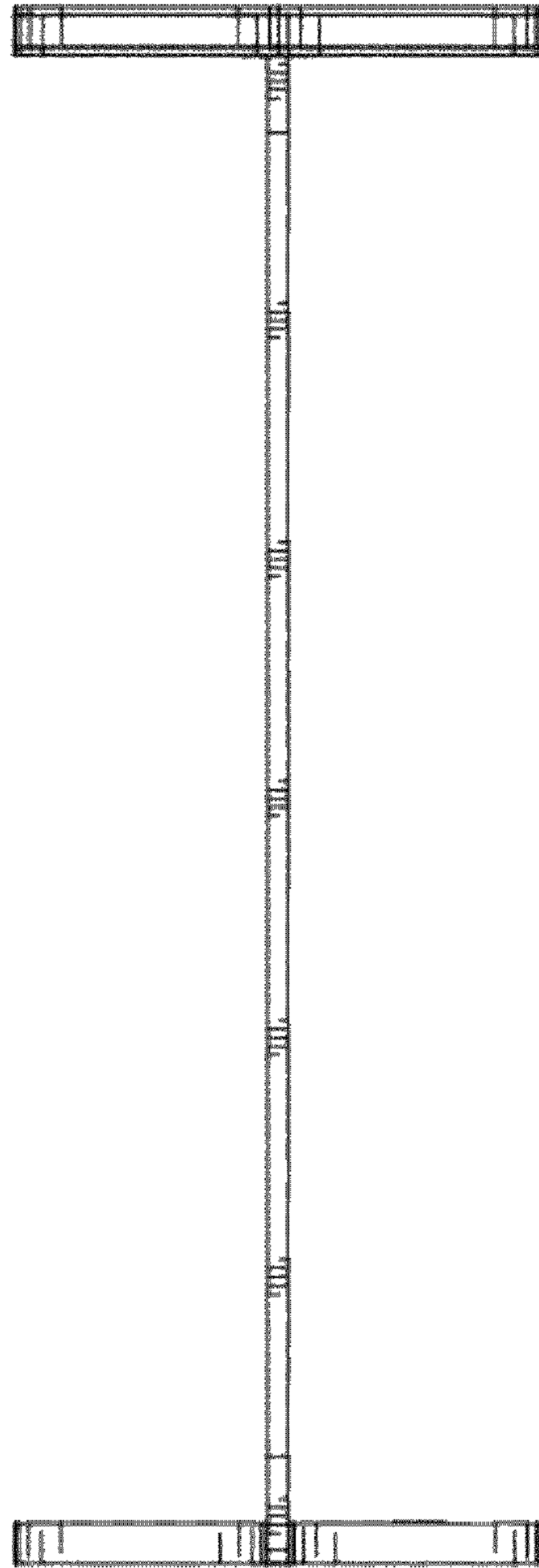


FIG. 4

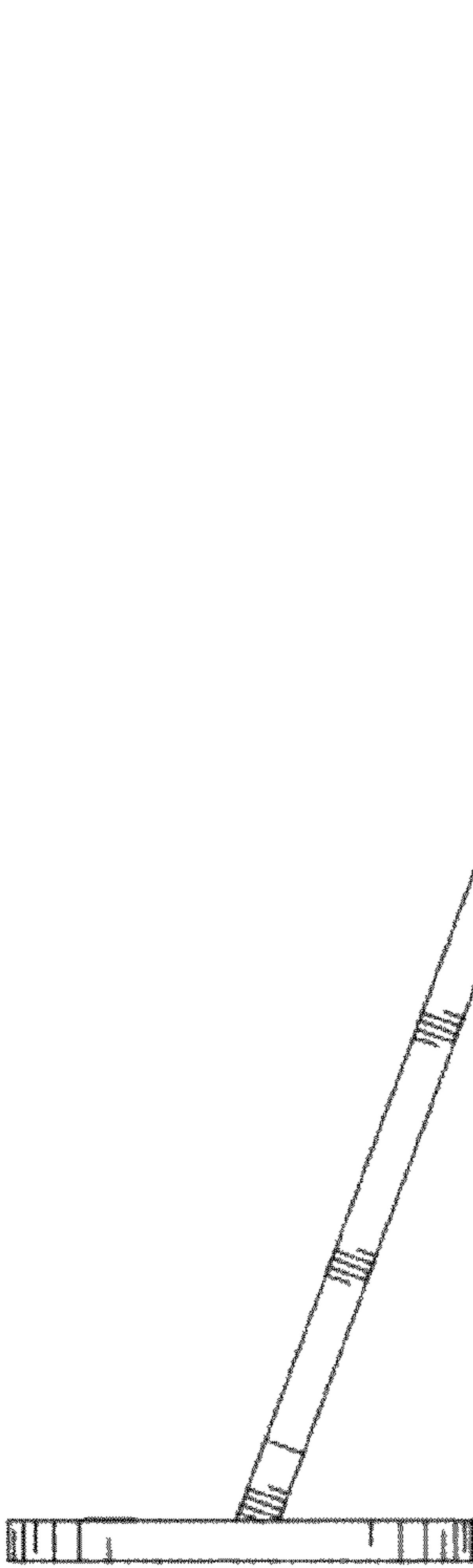


FIG. 5

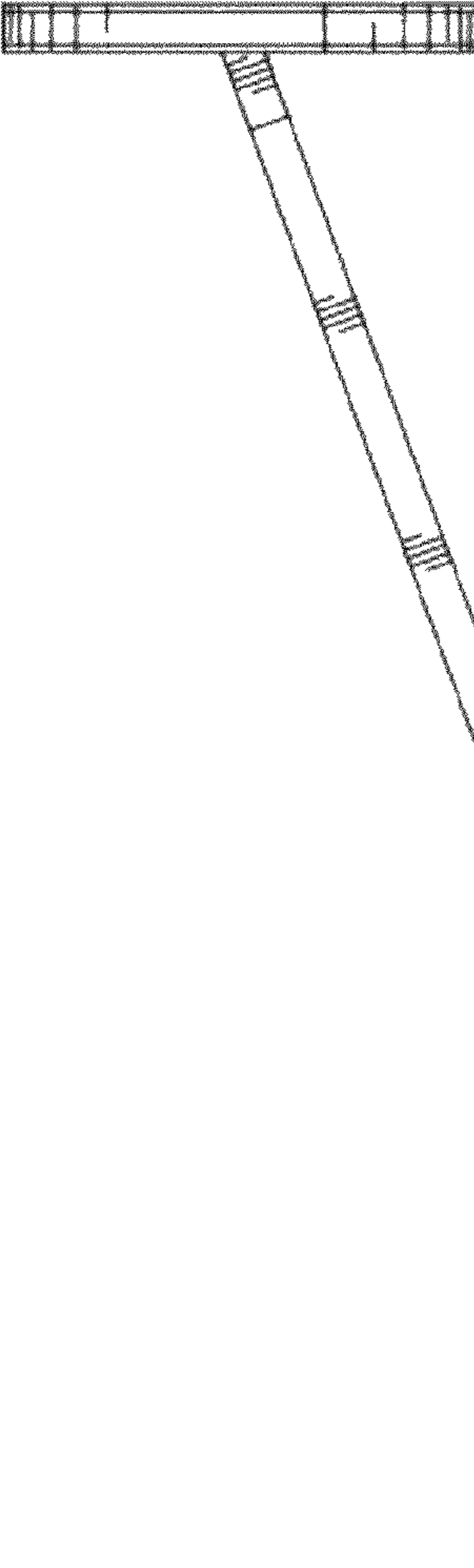


FIG. 6

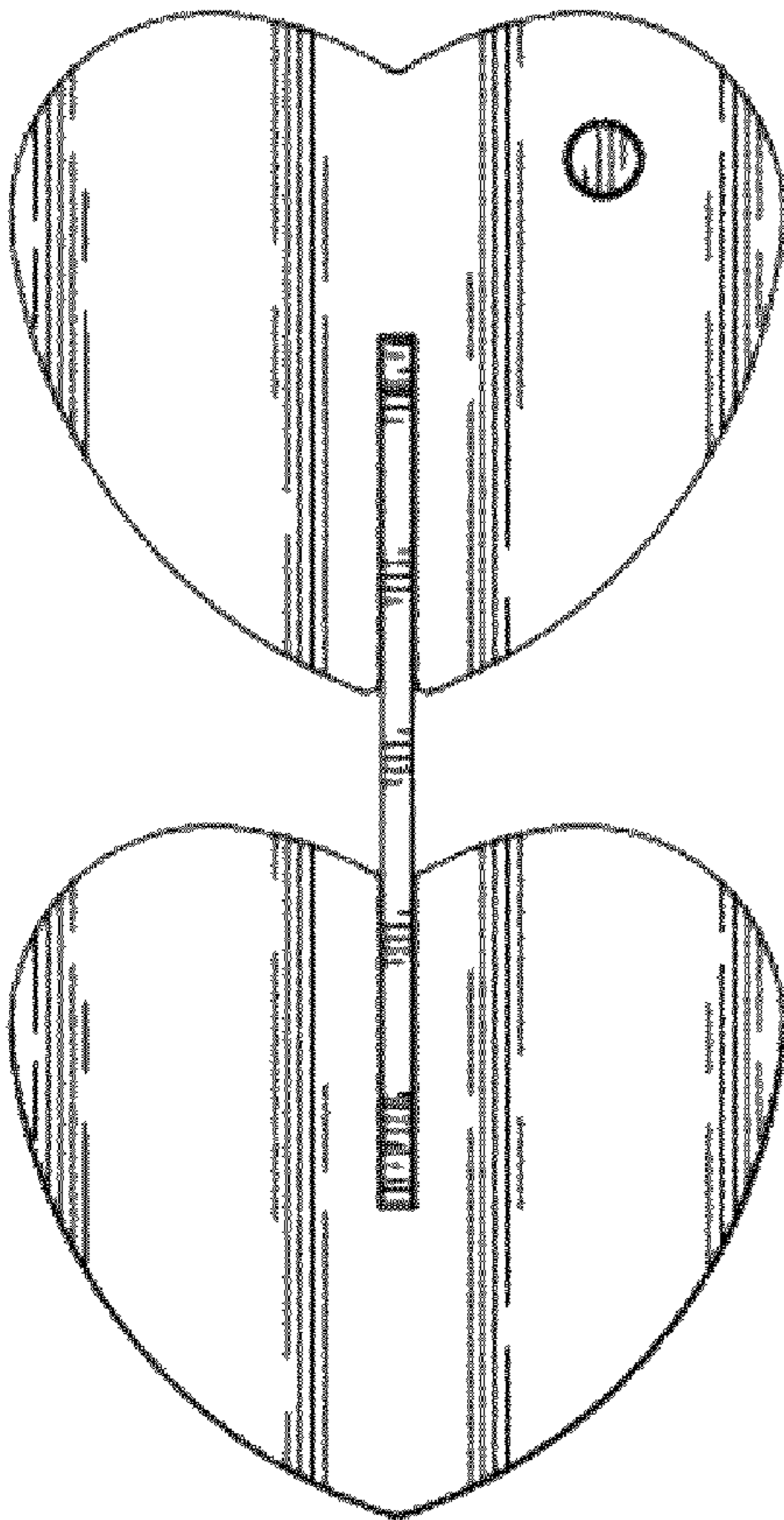


FIG. 7

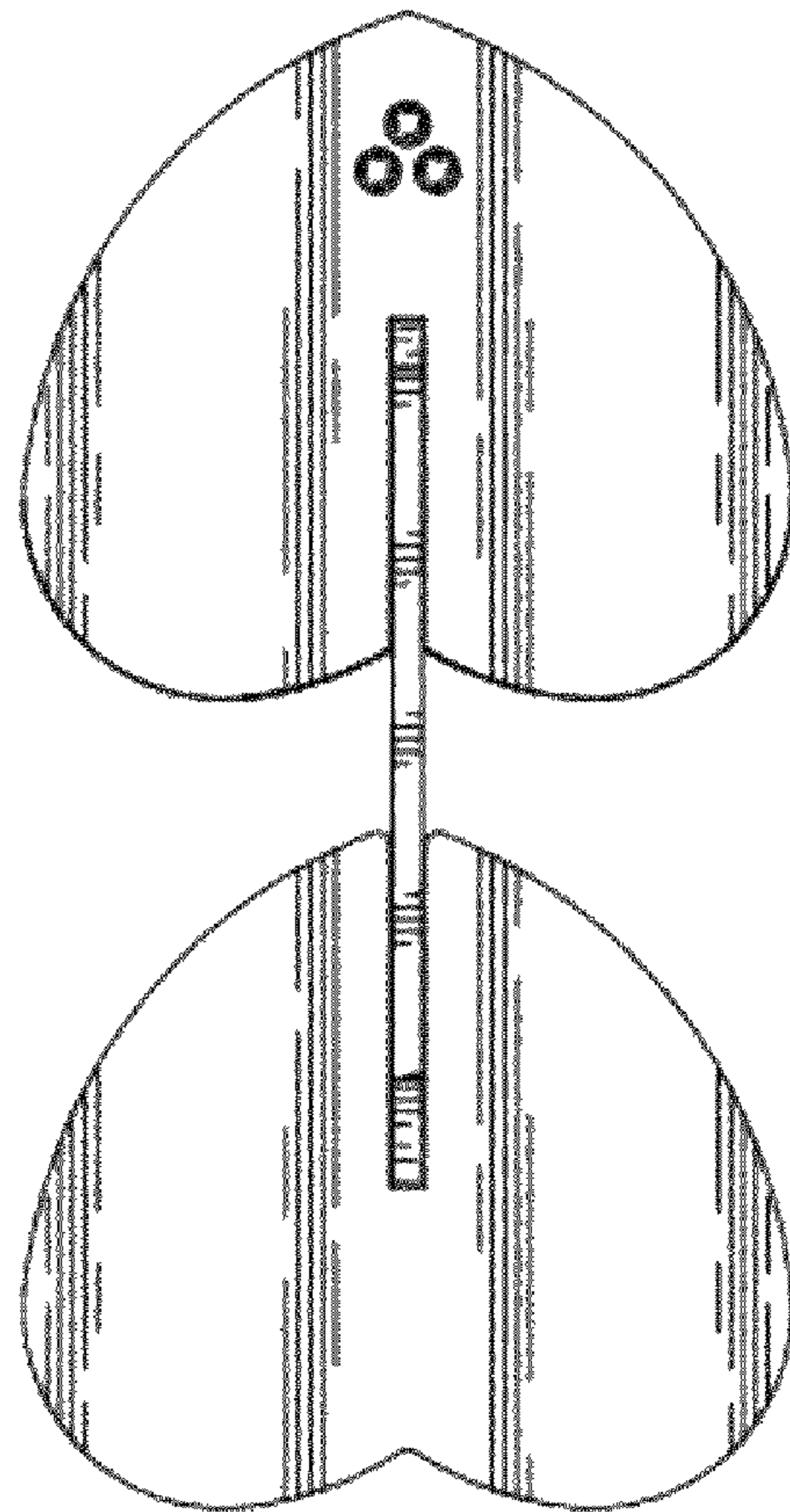


FIG. 8