



US00D674529S

(12) **United States Design Patent**  
**Hirai et al.**

(10) **Patent No.:** **US D674,529 S**

(45) **Date of Patent:** **\*\* Jan. 15, 2013**

(54) **LIGHTING FIXTURE**

(75) Inventors: **Hidenori Hirai**, Ibara (JP); **Noboru Kataoka**, Ibara (JP); **Hidemasa Ohta**, Ibara (JP); **Shingo Inamoto**, Ibara (JP)

(73) Assignee: **Katayama Kogyo Co., Ltd.**, Okayama-Ken (JP)

(\*\*) Term: **14 Years**

(21) Appl. No.: **29/373,673**

(22) Filed: **May 9, 2011**

(30) **Foreign Application Priority Data**

Nov. 13, 2010 (JP) ..... 2010-027317

(51) **LOC (9) Cl.** ..... **26-03**

(52) **U.S. Cl.** ..... **D26/85**

(58) **Field of Classification Search** ..... D26/61,  
D26/63, 65, 67-71, 92, 75, 76, 85;  
362/249.01-249.06, 294, 373, 431

See application file for complete search history.

(56) **References Cited**

**U.S. PATENT DOCUMENTS**

D183,068	S *	6/1958	Spaulding	.....	D26/24
D191,062	S *	8/1961	Gross	.....	D26/71
D204,558	S *	4/1966	Zeitz	.....	D26/71
7,178,941	B2 *	2/2007	Roberge et al.	.....	362/225
D562,487	S *	2/2008	Romo	.....	D26/67
7,674,012	B1 *	3/2010	Lin et al.	.....	362/249.02
D615,233	S *	5/2010	Josefowicz et al.	.....	D26/71
D627,093	S *	11/2010	Shiau et al.	.....	D26/71
D631,999	S *	2/2011	Little, Jr. et al.	.....	D26/71
8,061,869	B2 *	11/2011	Lo	.....	362/249.02
D650,110	S *	12/2011	Zhu	.....	D26/71
D654,203	S *	2/2012	Kuan et al.	.....	D26/71

\* cited by examiner

*Primary Examiner* — Clare E Heflin

(74) *Attorney, Agent, or Firm* — R. Neil Sudol; Coleman Sudol Sapone P.C.

(57) **CLAIM**

The ornamental design for the lighting fixture, as shown and described.

**DESCRIPTION**

FIG. 1 is a front elevation view of a lighting fixture showing our new design;

FIG. 2 is a rear elevation view thereof showing a support structure as environment only;

FIG. 3 is a right side elevation view thereof showing a support structure as environment only, the left side elevation view being a mirror image thereof;

FIG. 4 is a top plan view thereof showing a support structure as environment only, the bottom plan view being a mirror image thereof;

FIG. 5 is an enlarged cross-sectional view thereof taken along the line 5-5 in FIG. 1 showing a support structure as environment only;

FIG. 6 is an enlarged cross-sectional view thereof taken along the line 6-6 in FIG. 1;

FIG. 7 is another front elevation view thereof showing a name plate as environment only;

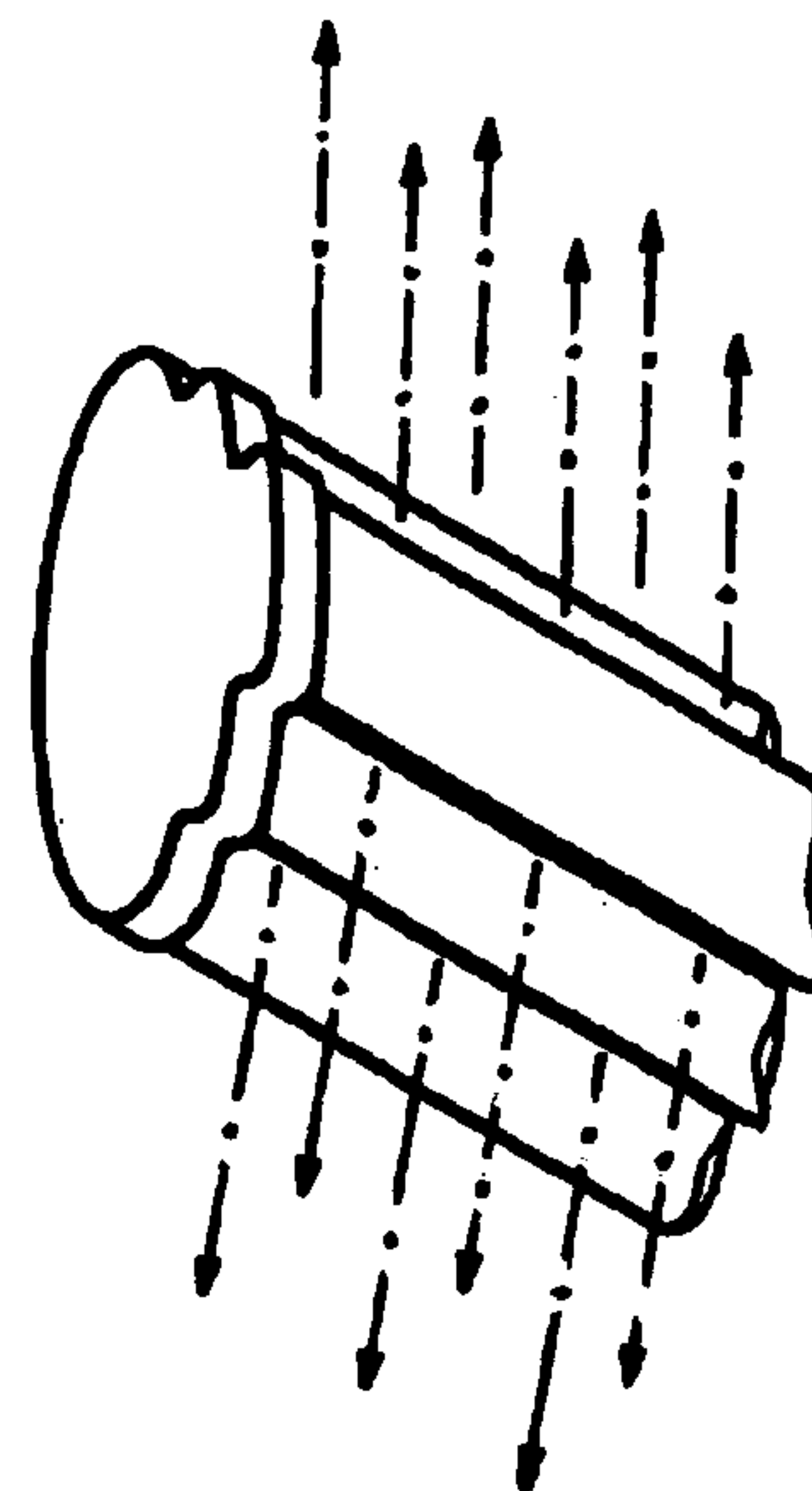
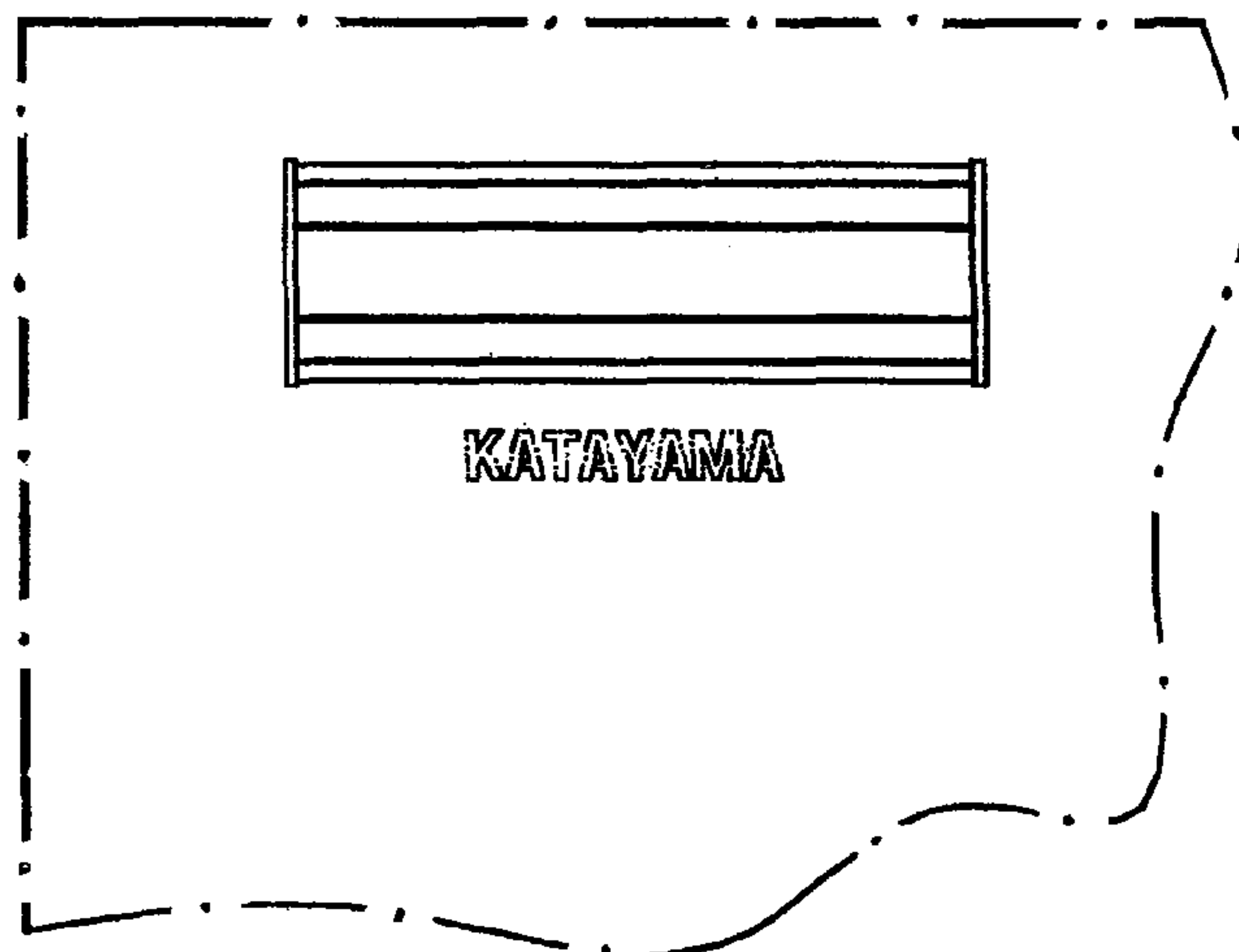
FIG. 8 is another front elevation view thereof showing a wall section and a name plate as environment only;

FIG. 9 is a fragmentary front perspective view thereof showing light rays as indicative of environmental operation that forms no part of the claimed design; and,

FIG. 10 is a fragmentary rear perspective view thereof showing light rays as indicative of environmental operation that forms no part of the claimed design.

The broken lines on the drawings represent environment only and form no part of the claimed design.

**1 Claim, 5 Drawing Sheets**



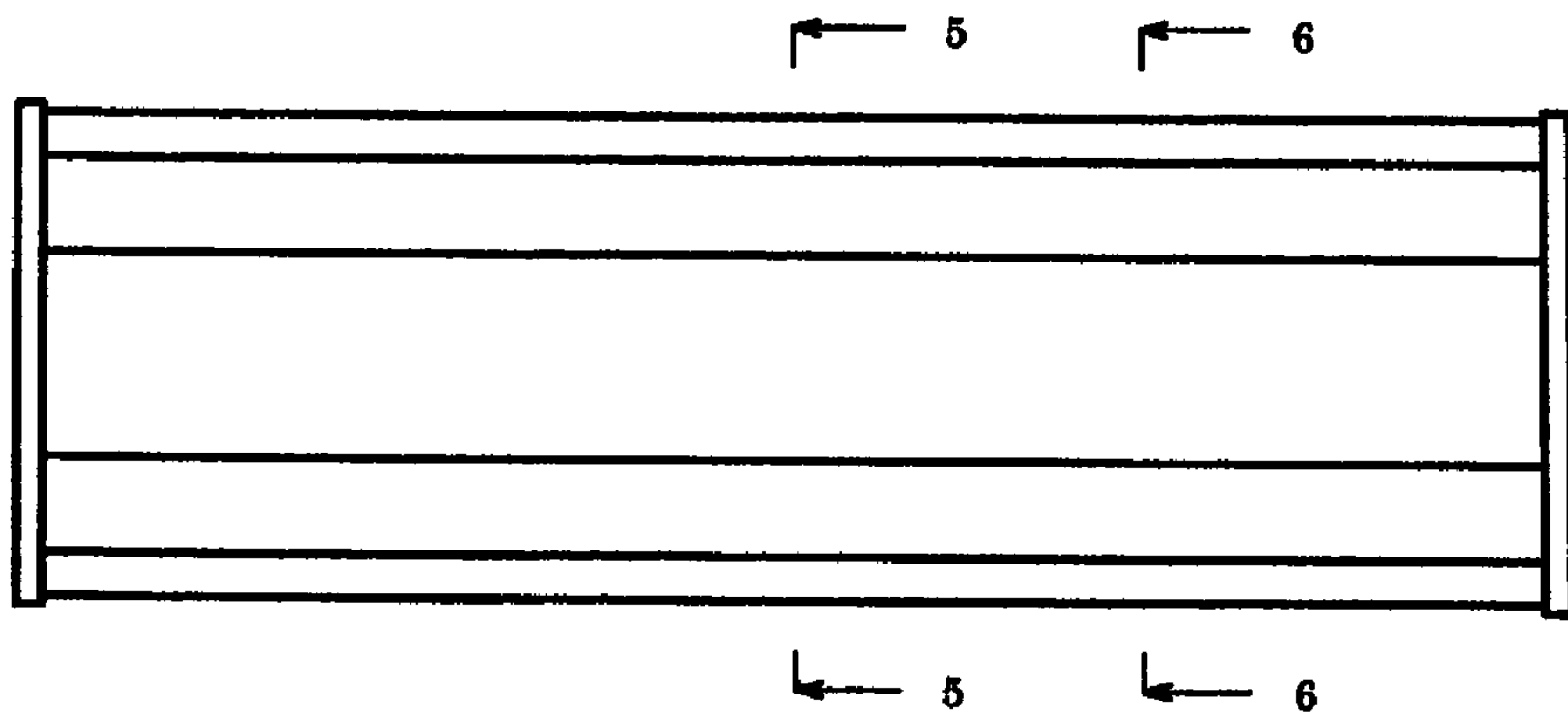


FIG. 1

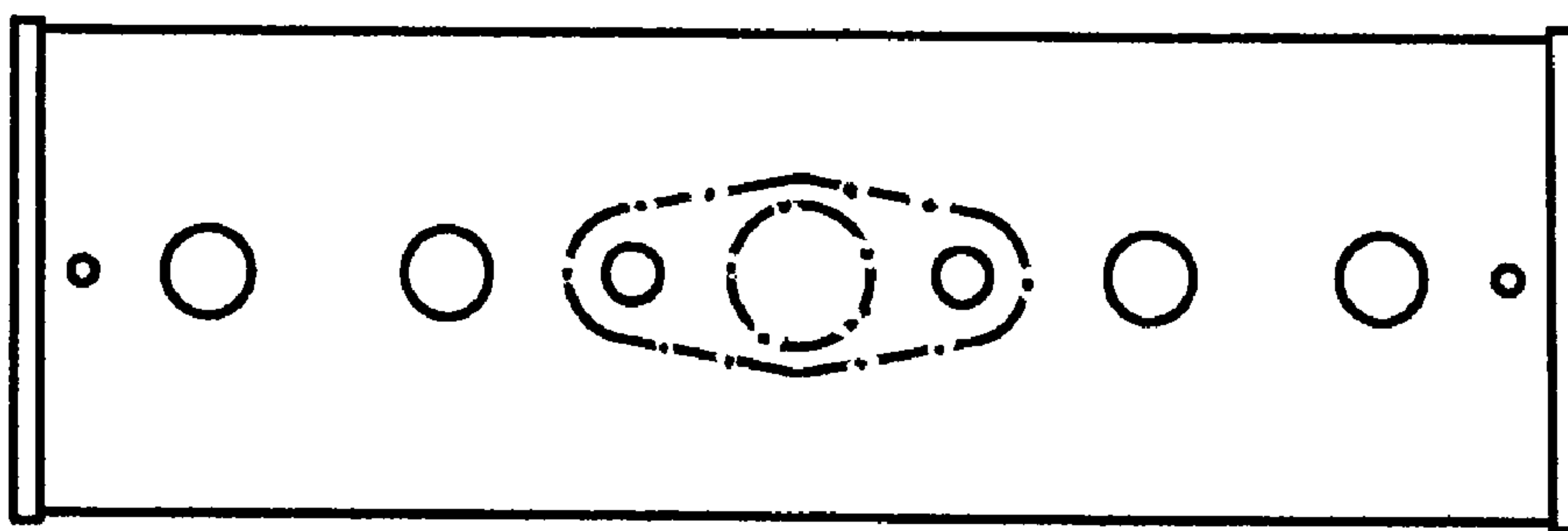


FIG. 2

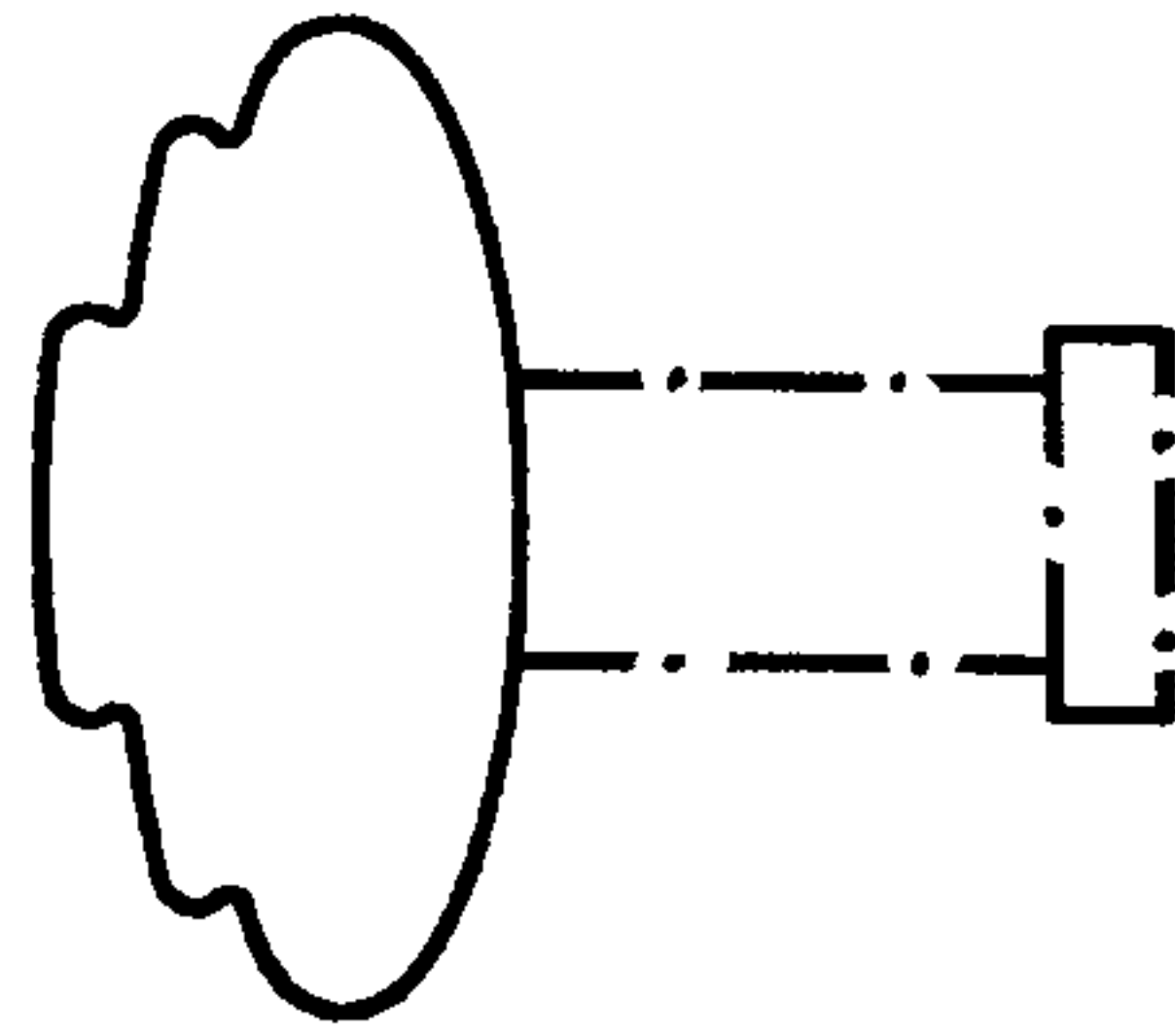


FIG. 3

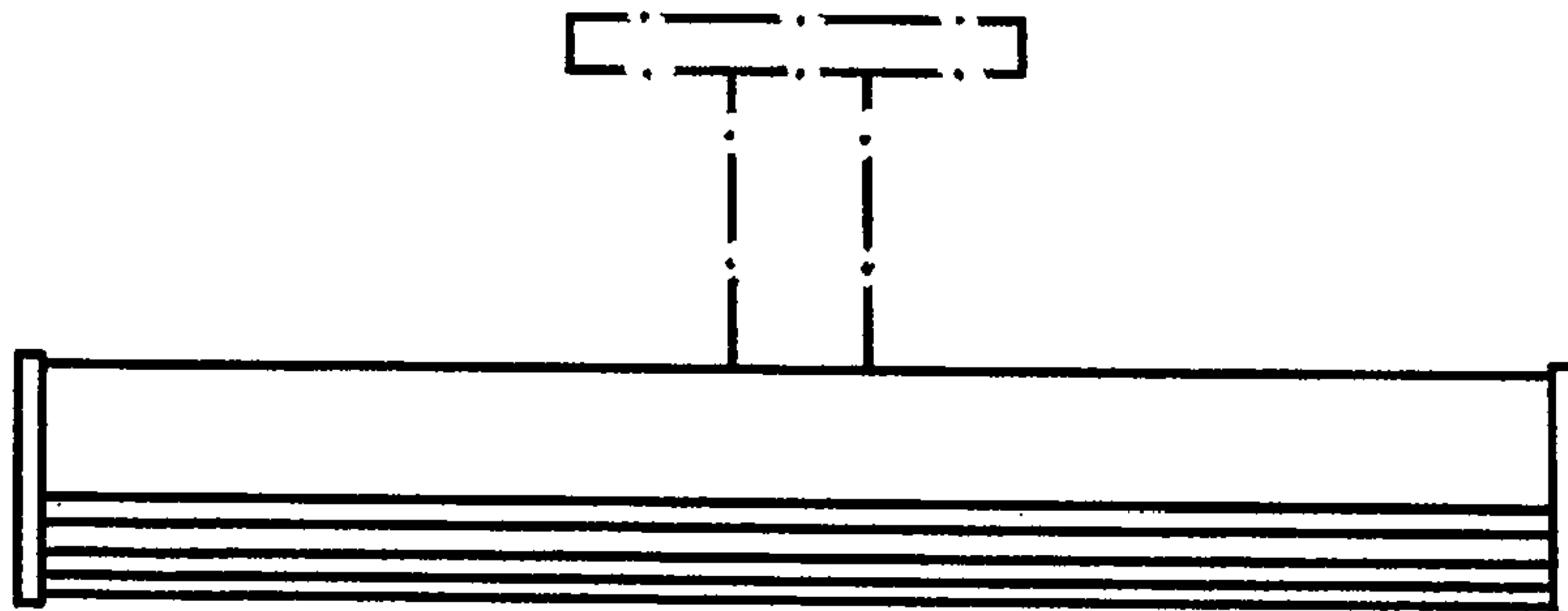


FIG. 4

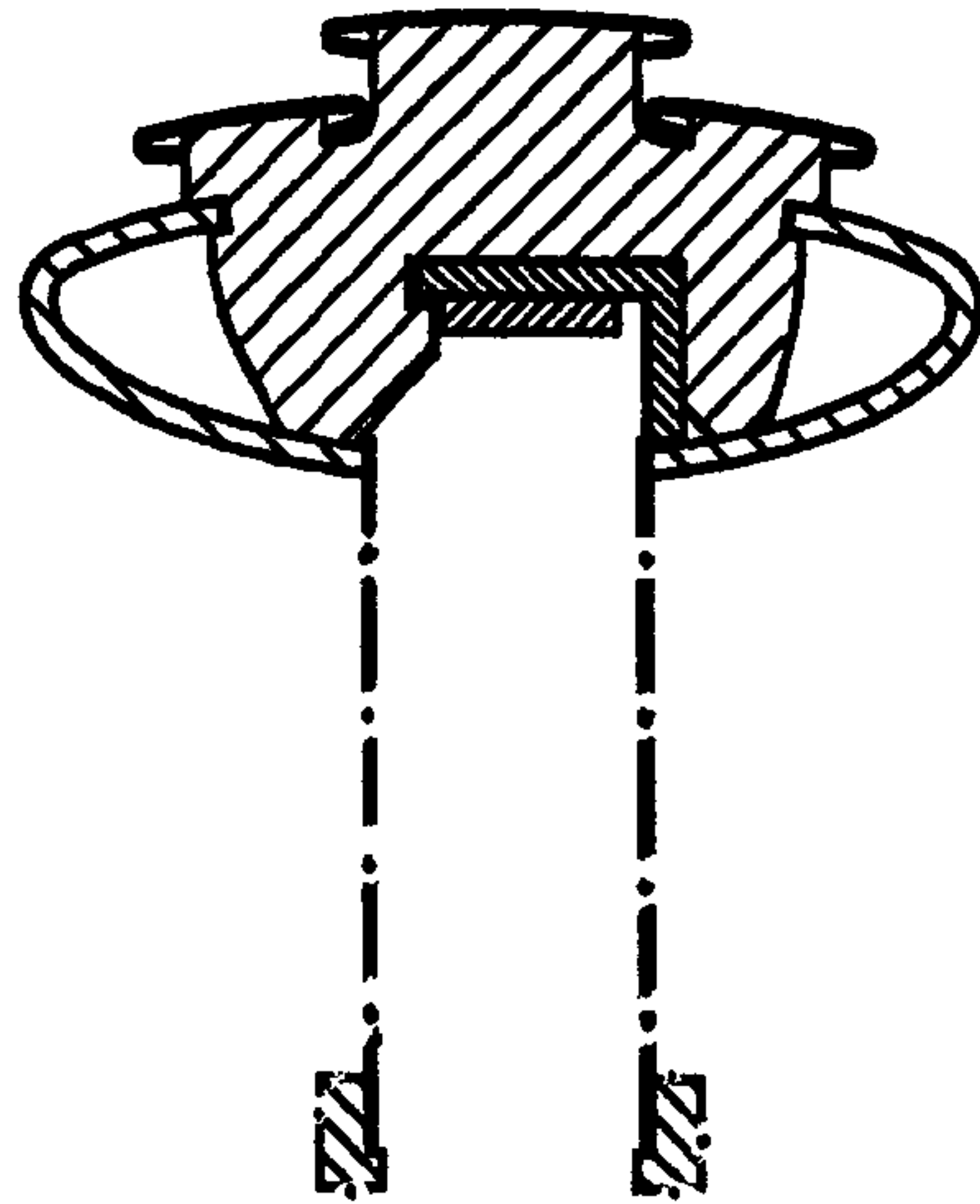


FIG. 5

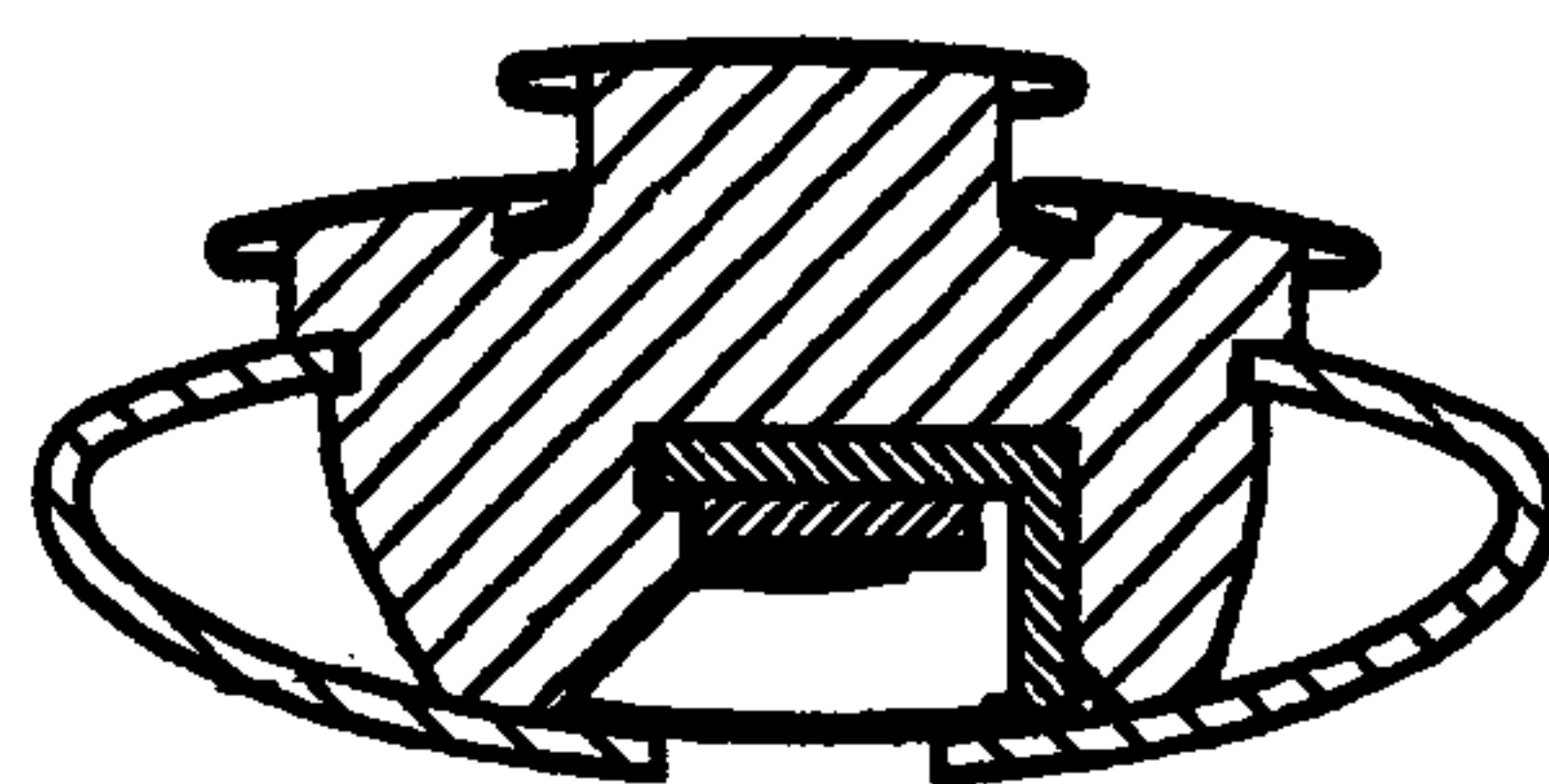


FIG. 6



FIG. 7

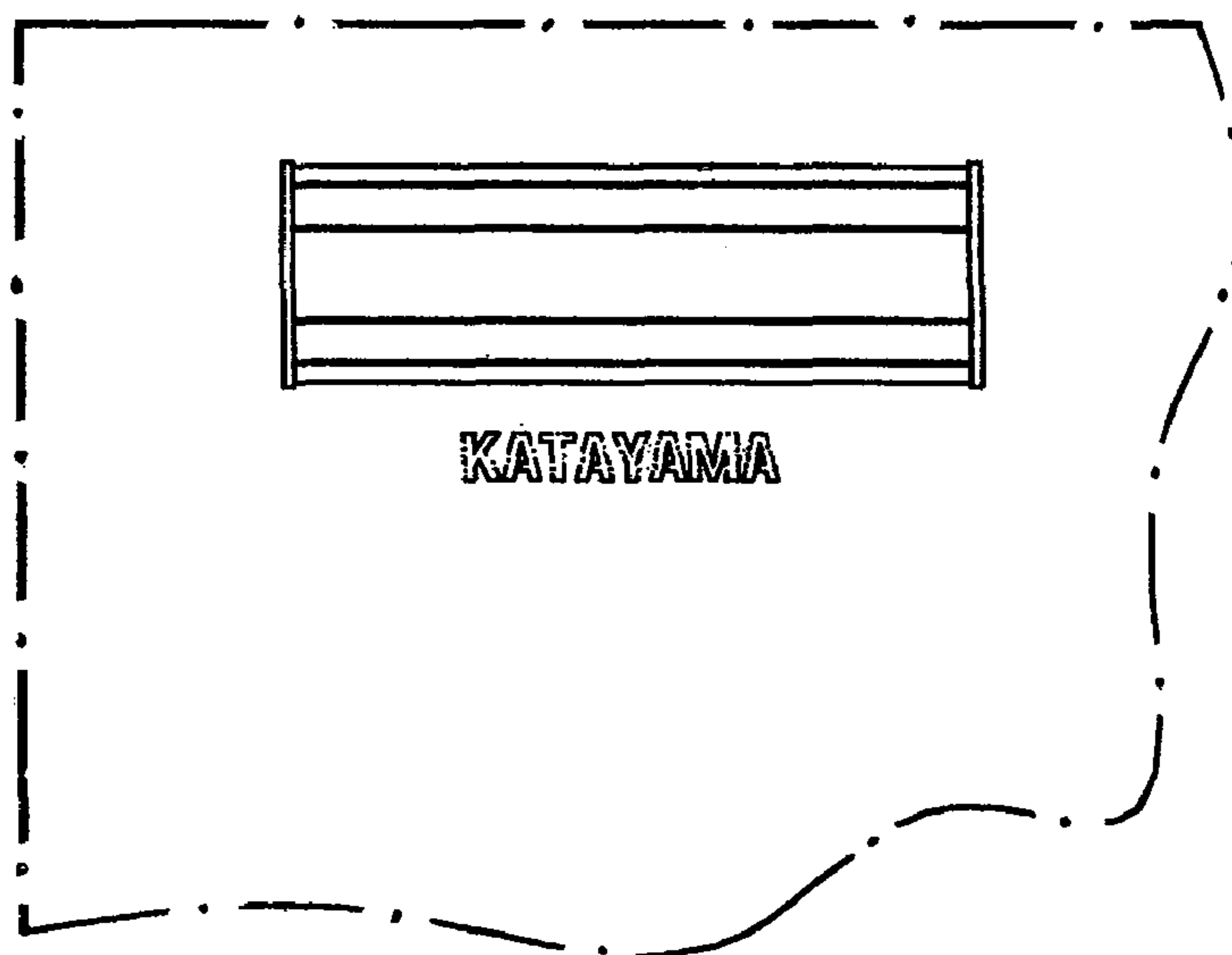


FIG. 8

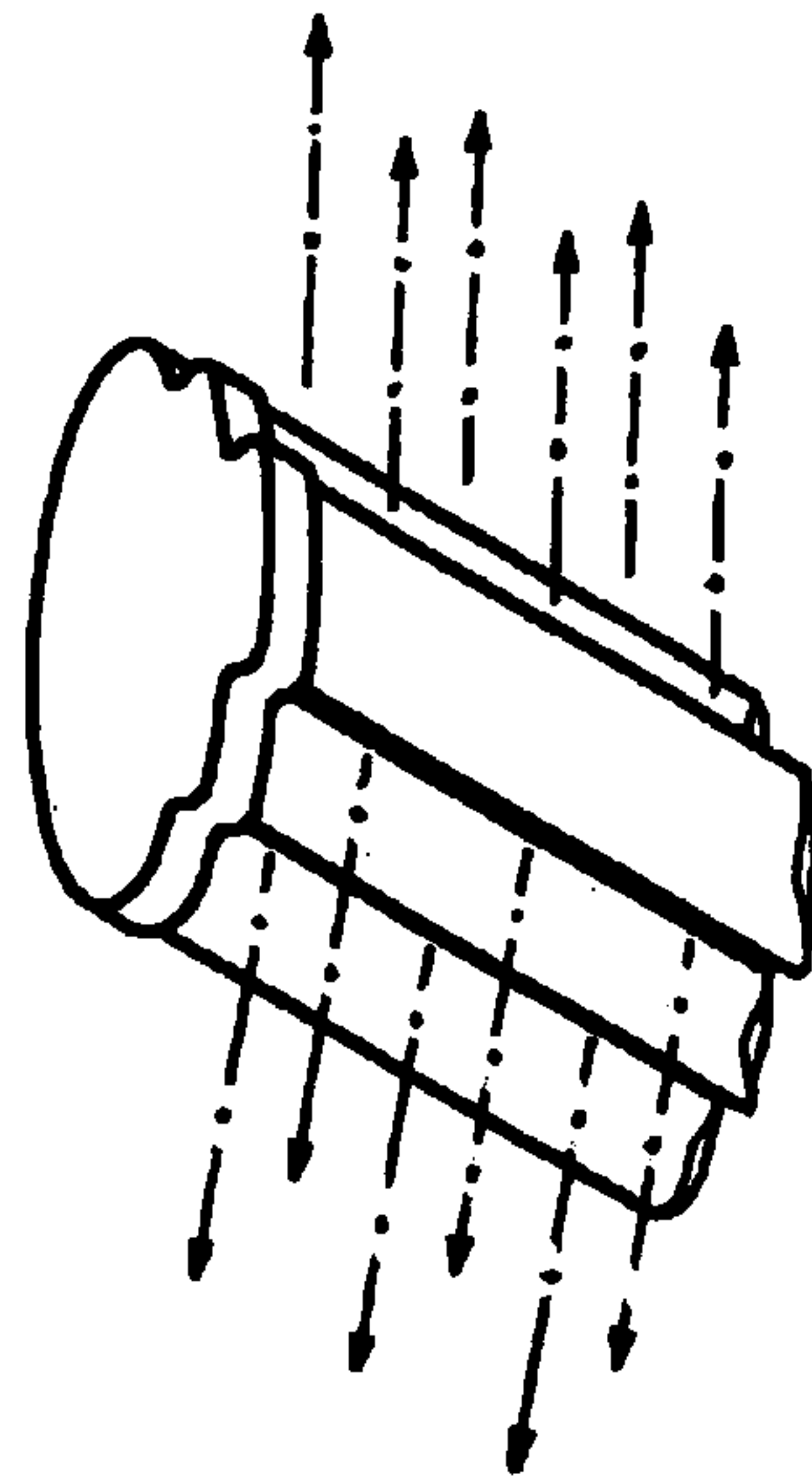


FIG. 9

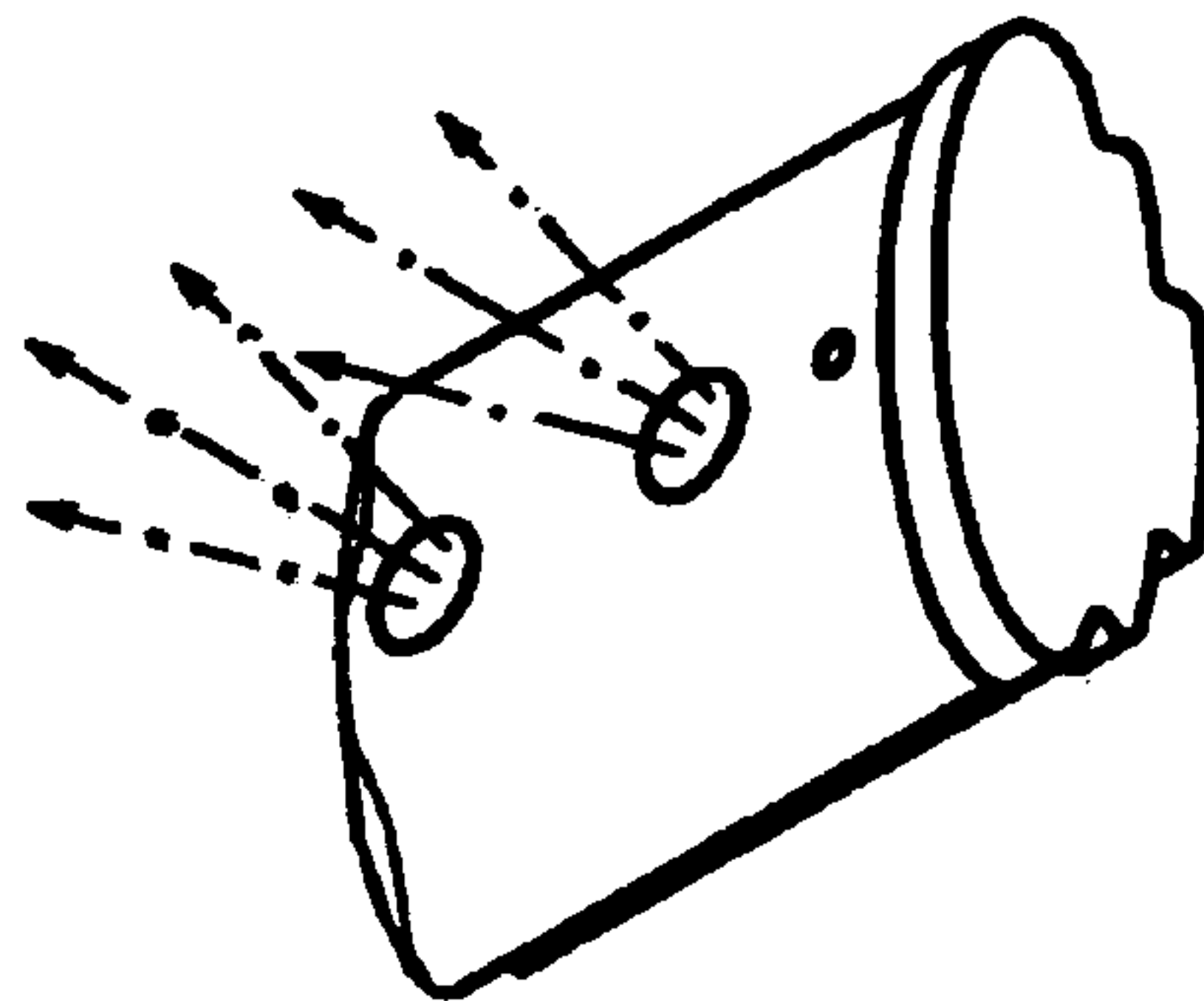


FIG. 10