



US00D674526S

(12) **United States Design Patent**
Hirai et al.

(10) **Patent No.:** **US D674,526 S**
(45) **Date of Patent:** **** Jan. 15, 2013**

(54) **LIGHTING FIXTURE**

(75) Inventors: **Hidenori Hirai**, Ibara (JP); **Noboru Kataoka**, Ibara (JP); **Hidemasa Ohta**, Ibara (JP); **Shingo Inamoto**, Ibara (JP)

(73) Assignee: **Katayama Kogyo Co., Ltd.**, Okayama-Ken (JP)

(**) Term: **14 Years**

(21) Appl. No.: **29/373,672**

(22) Filed: **May 9, 2011**

(30) **Foreign Application Priority Data**

Nov. 13, 2010 (JP) 2010-027316

(51) **LOC (9) Cl.** **26-05**

(52) **U.S. Cl.** **D26/71**

(58) **Field of Classification Search** D26/61,
D26/63, 65, 67-71, 92, 75, 76, 85;
362/249.01-249.06, 294, 373, 431

See application file for complete search history.

(56) **References Cited**

U.S. PATENT DOCUMENTS

D183,068	S *	6/1958	Spaulding et al.	D26/24
D191,062	S *	8/1961	Gross	D26/71
D201,764	S *	7/1965	Mox	D26/71
D204,558	S *	4/1966	Zeitz	D26/71
7,178,941	B2 *	2/2007	Roberge et al.	362/225
D562,487	S *	2/2008	Romo	D26/67
D610,287	S *	2/2010	Gill	D26/71

7,674,012	B1 *	3/2010	Lin et al.	362/249.02
D627,093	S *	11/2010	Shiau et al.	D26/71
D631,999	S *	2/2011	Little et al.	D26/71
8,061,869	B2 *	11/2011	Lo	362/249.02
D650,110	S *	12/2011	Zhu	D26/71
D654,203	S *	2/2012	Kuan et al.	D26/71

* cited by examiner

Primary Examiner — Clare E Heflin

(74) *Attorney, Agent, or Firm* — R. Neil Sudol; Coleman Sudol Sapone P.C.

(57) **CLAIM**

The ornamental design for the lighting fixture, as shown and described.

DESCRIPTION

FIG. 1 is a front elevation view of a lighting fixture showing our new design;

FIG. 2 is a rear elevation view thereof;

FIG. 3 is a right side elevation view thereof with the left side elevation view being a mirror image thereof;

FIG. 4 is a top plan view thereof;

FIG. 5 is a bottom plan view thereof;

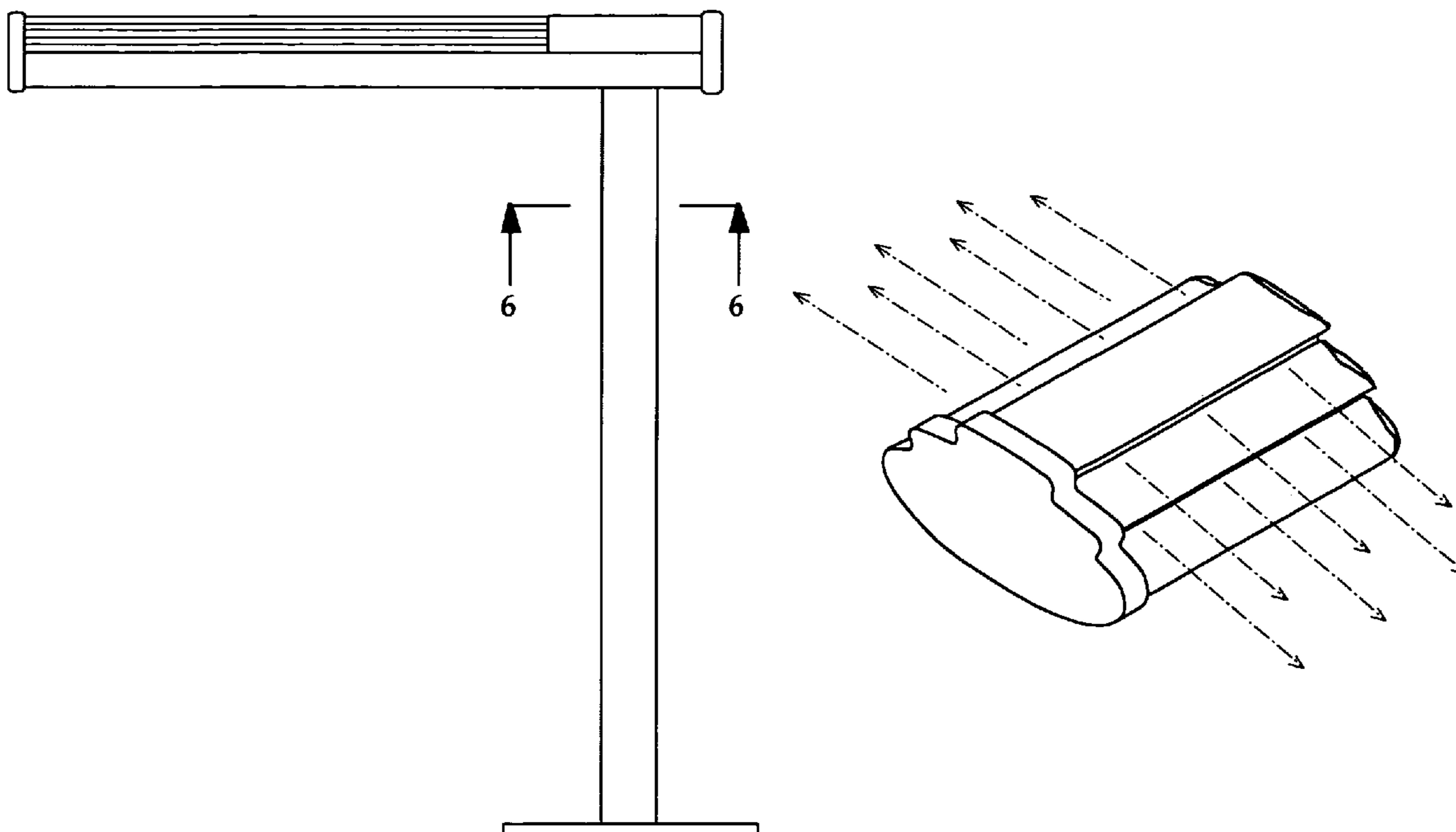
FIG. 6 is a sectional view thereof taken along the line 6-6 in FIG. 3;

FIG. 7 is an enlarged fragmentary top perspective view thereof; and,

FIG. 8 is an enlarged fragmentary bottom perspective view thereof.

The light rays shown in broken lines in FIGS. 7 and 8 are merely indicative of environmental operation and form no part of the claimed design.

1 Claim, 4 Drawing Sheets



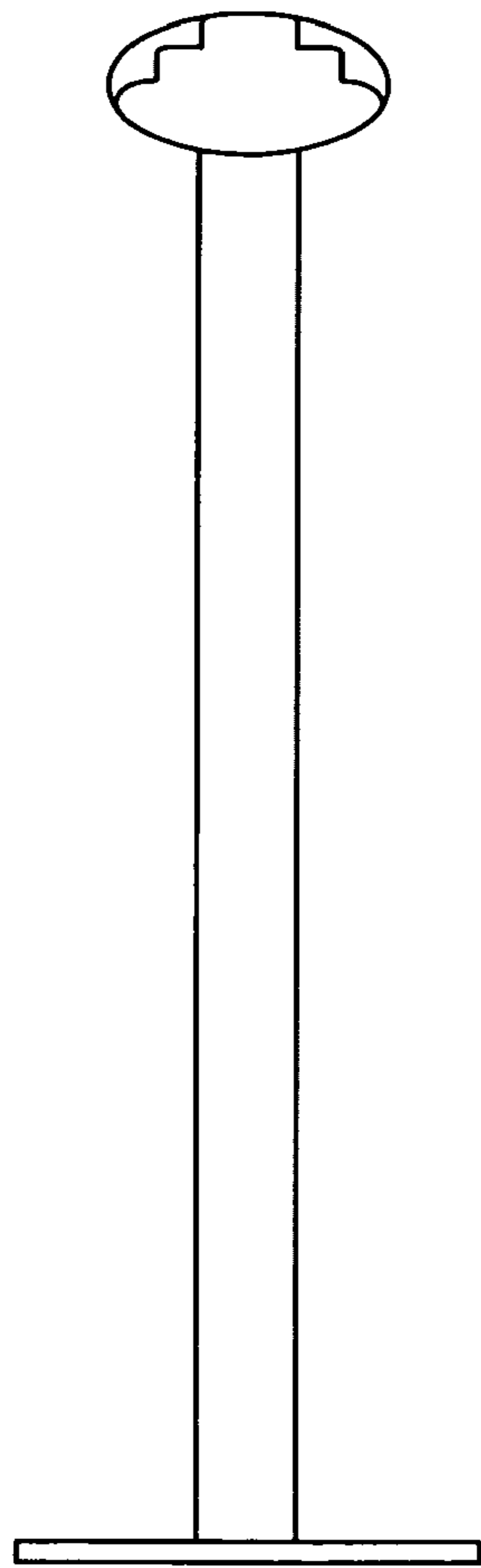


FIG. 1

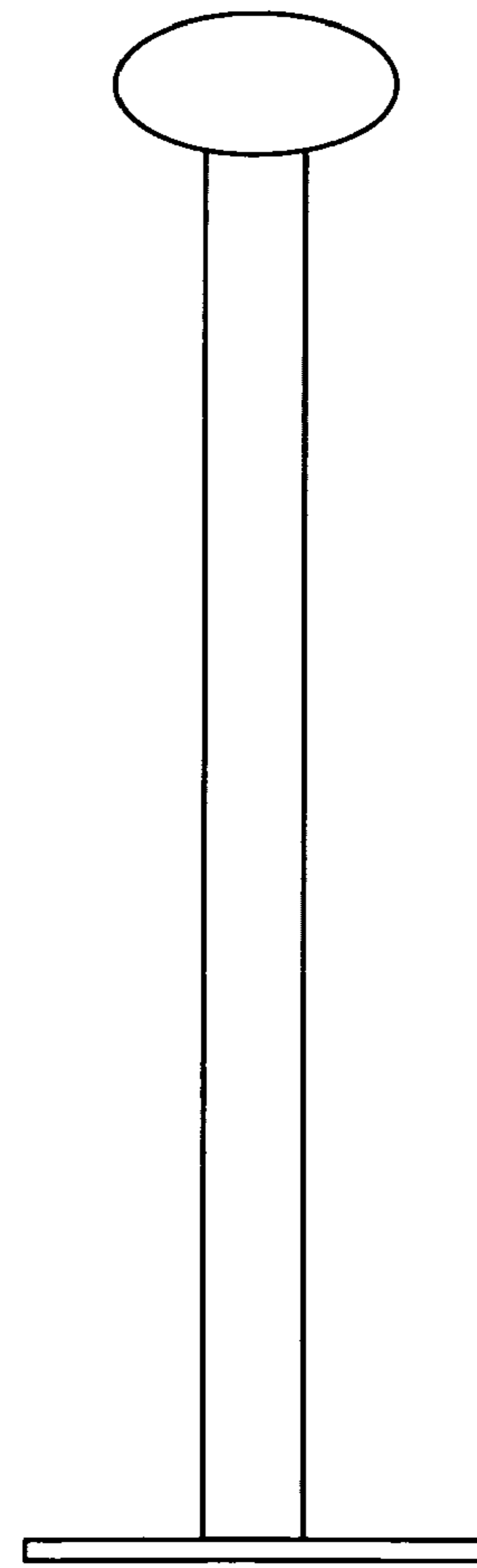


FIG. 2

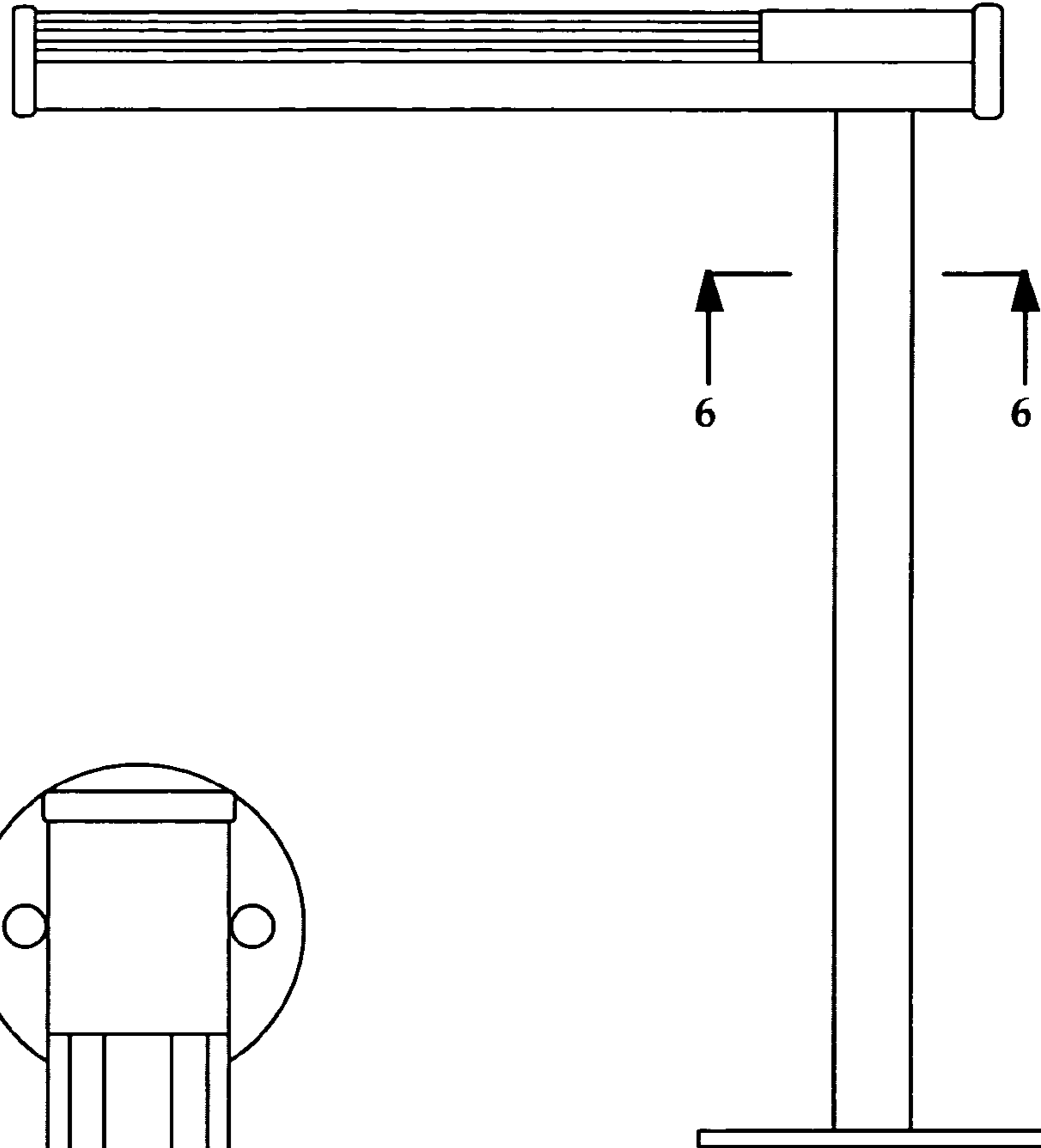


FIG. 3

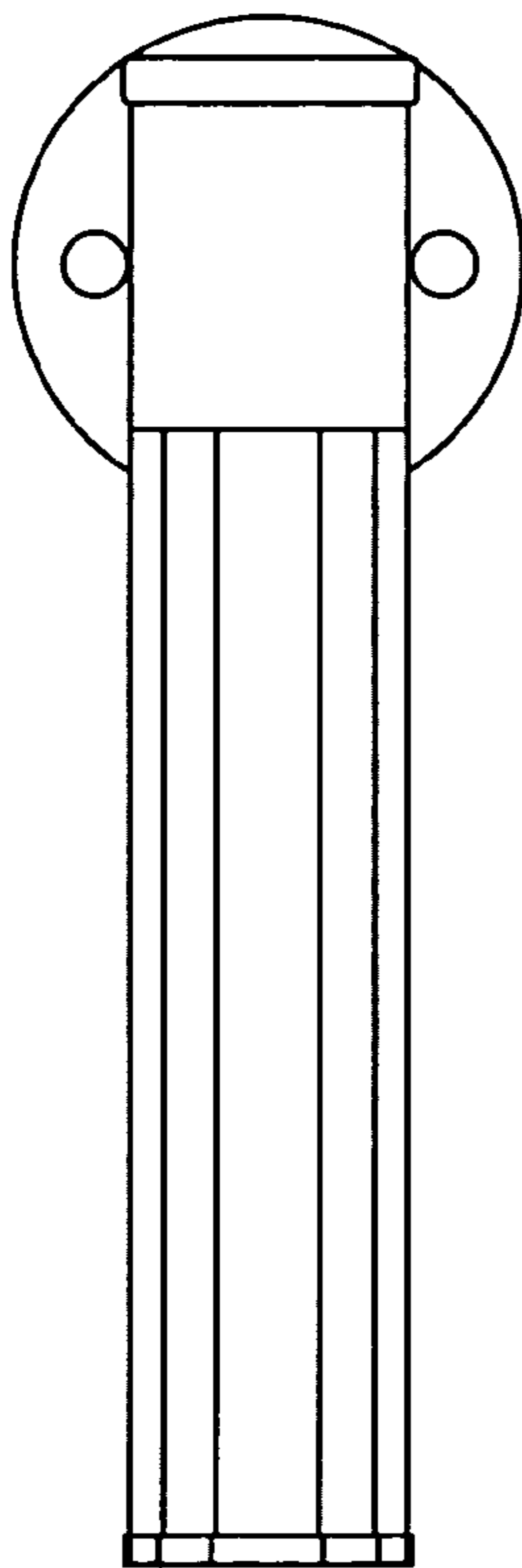


FIG. 4

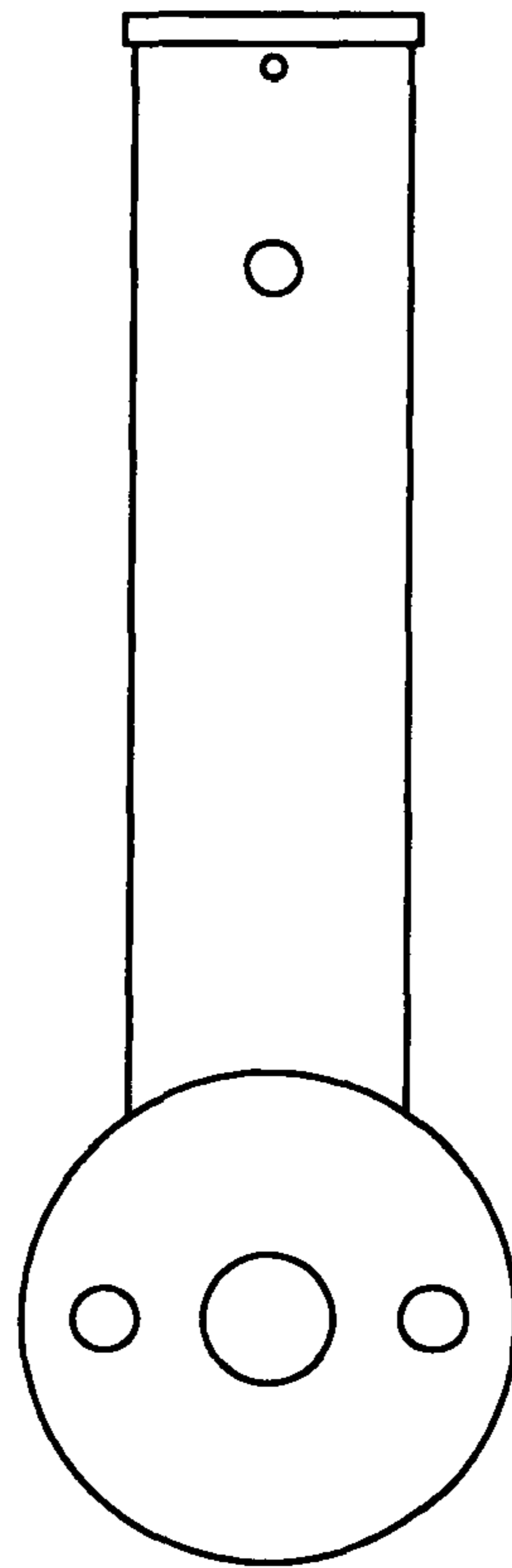


FIG. 5

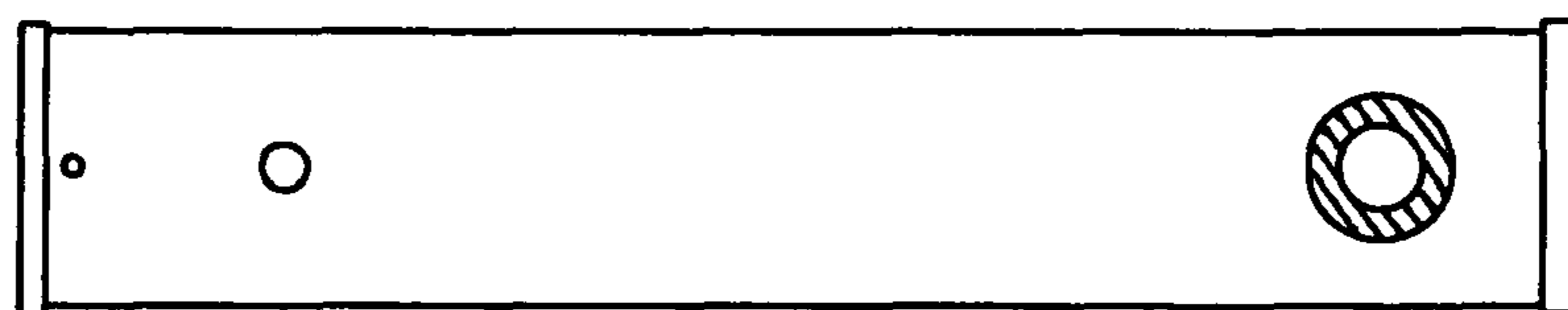


FIG. 6

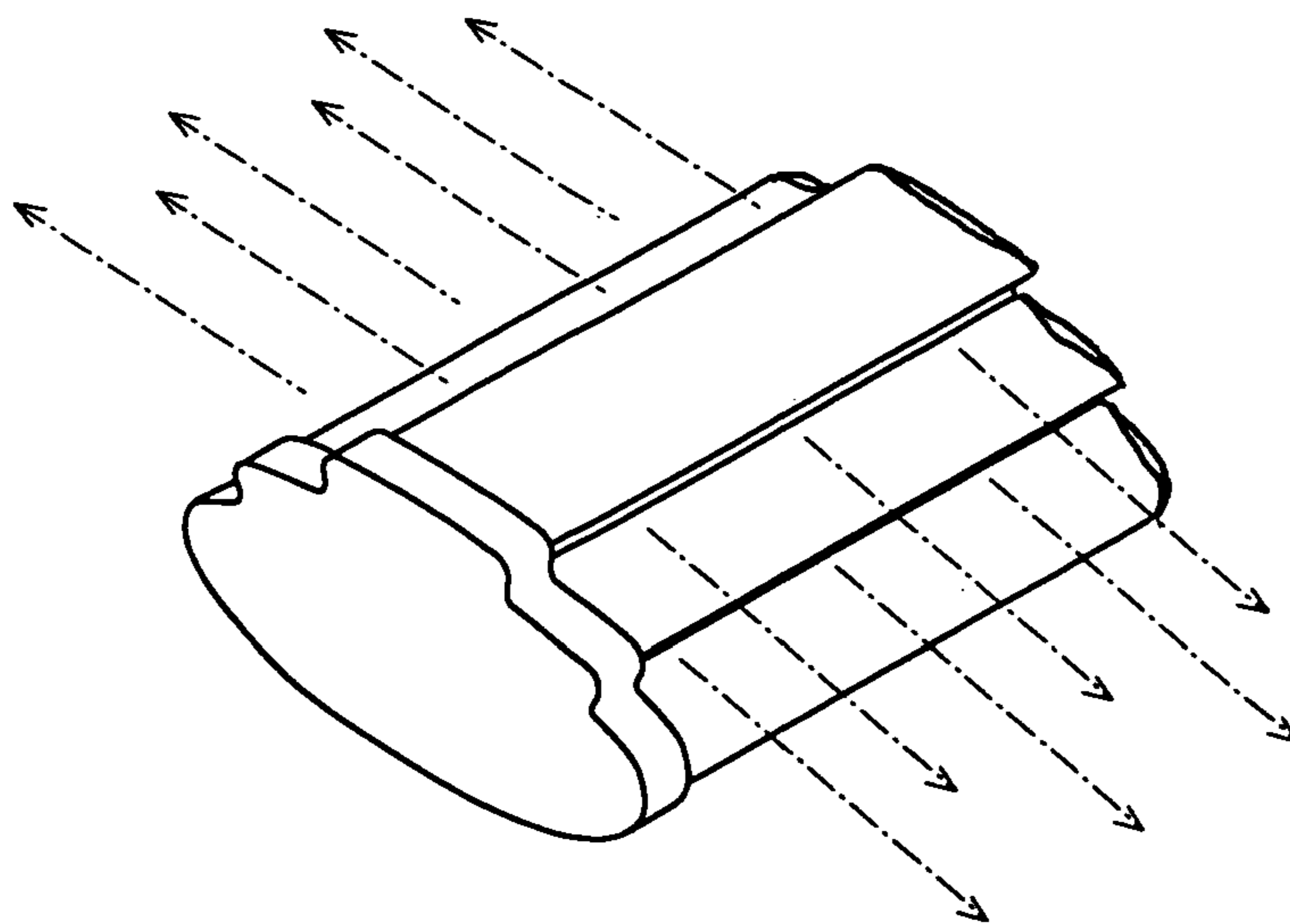


FIG. 7

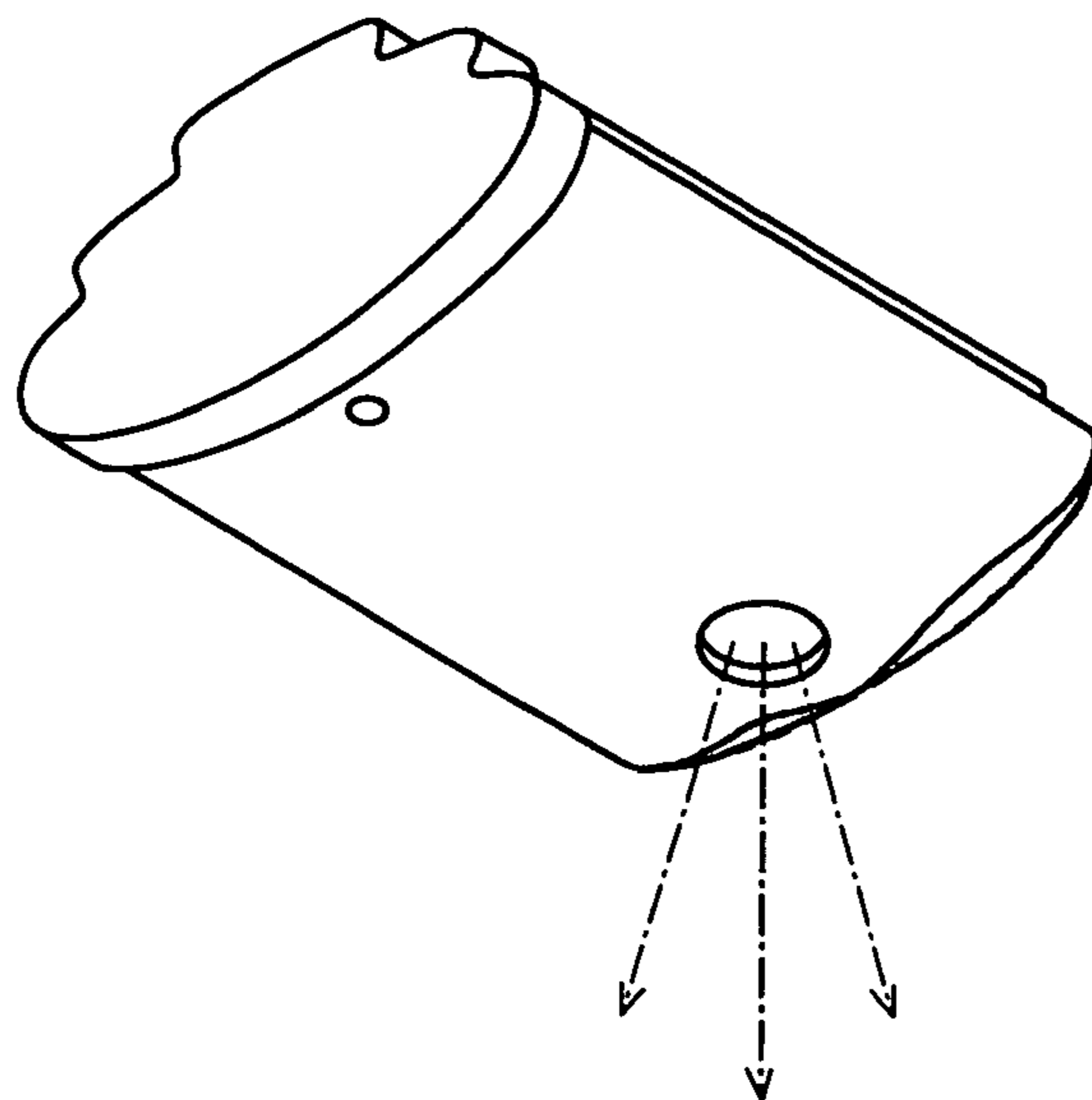


FIG. 8