



US00D674524S

(12) **United States Design Patent**
Davies

(10) **Patent No.:** **US D674,524 S**
(45) **Date of Patent:** **** Jan. 15, 2013**

(54) **ILLUMINATOR**
(75) Inventor: **Paul Davies**, Knoxfield (AU)
(73) Assignee: **Shin Chin Industrial Co., Ltd.**, Tainan (TW)
(**) Term: **14 Years**

D564,694 S * 3/2008 Southern, Jr. D26/85
D567,989 S * 4/2008 Goetz-Schaefer D26/89
7,425,087 B2 * 9/2008 Sawayanagi et al. 362/490
7,547,119 B2 * 6/2009 Kuwana et al. 362/294
7,918,596 B2 * 4/2011 Frank et al. 362/542
D640,181 S * 6/2011 Calvin et al. D12/345
D640,821 S * 6/2011 Kocks D26/89
D641,098 S * 7/2011 Wildner D26/89
D655,853 S * 3/2012 Kim et al. D26/89
2006/0050018 A1 * 3/2006 Hutzler et al. 345/60

(21) Appl. No.: **29/407,255**

* cited by examiner

(22) Filed: **Nov. 25, 2011**

Primary Examiner — Clare E Heflin

(51) **LOC (9) Cl.** **26-02**

(74) *Attorney, Agent, or Firm* — Rosenberg, Klein & Lee

(52) **U.S. Cl.** **D26/28; D26/89**

(57) **CLAIM**

(58) **Field of Classification Search** D26/28,
D26/80, 89; 362/147, 488, 489, 490, 491,
362/492, 493

The ornamental design for an illuminator, as shown and described.

See application file for complete search history.

DESCRIPTION

(56) **References Cited**

FIG. 1 is a perspective view of an illuminator showing my new design;

U.S. PATENT DOCUMENTS

6,056,423 A * 5/2000 Takano et al. 362/488
D442,304 S * 5/2001 Huang D26/28
D457,981 S * 5/2002 Yeh D26/76
6,601,976 B1 * 8/2003 Rhee 362/374
6,616,311 B2 * 9/2003 Soga et al. 362/488
D489,466 S * 5/2004 Dohogne et al. D26/28
D492,047 S * 6/2004 Dohogne et al. D26/28
6,746,139 B2 * 6/2004 Sinzawa et al. 362/490
D549,365 S * 8/2007 Hovind et al. D26/28

FIG. 2 is a front elevational view thereof;

FIG. 3 is a rear elevational view thereof;

FIG. 4 is a left side elevational view thereof;

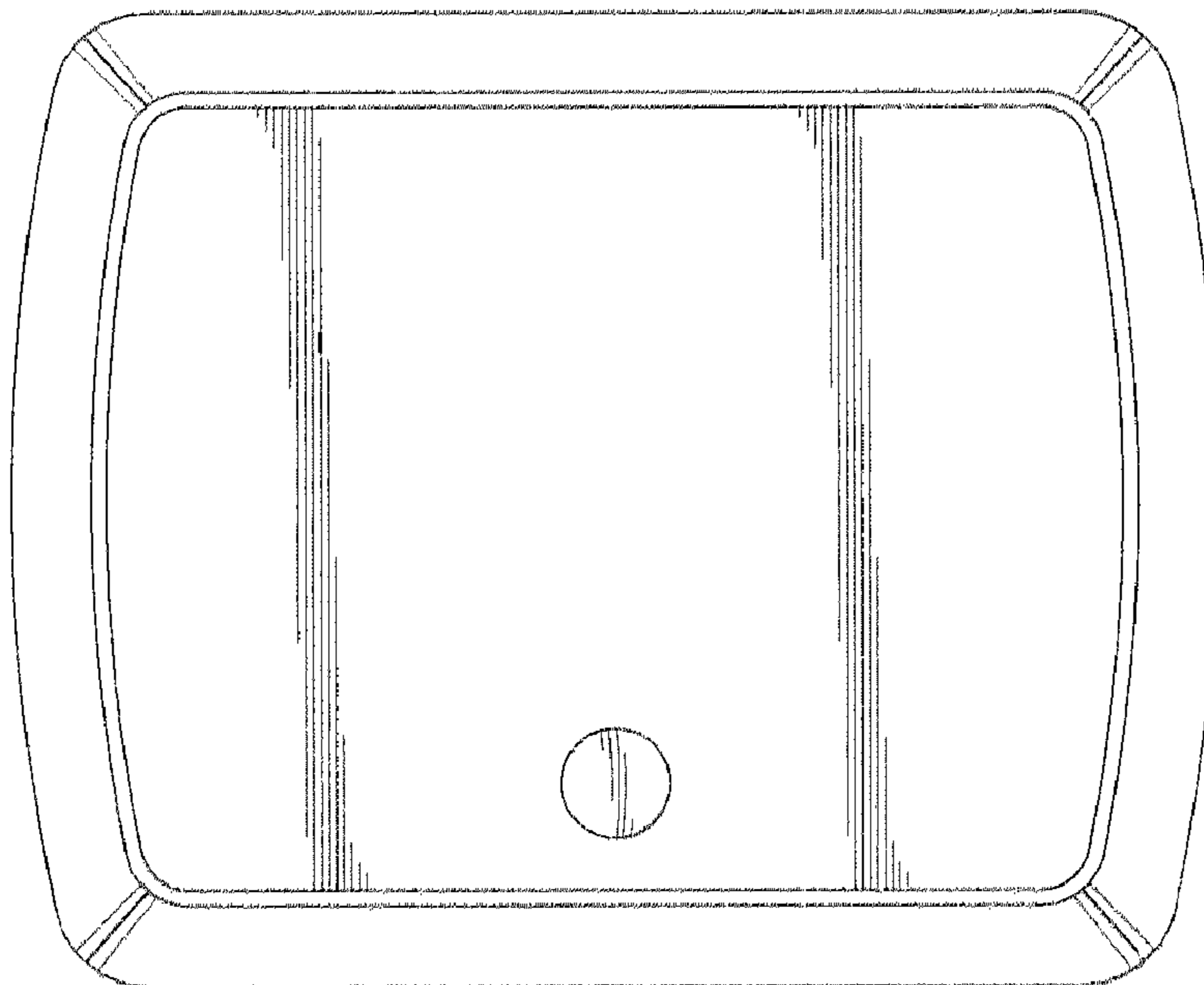
FIG. 5 is a right side elevational view thereof;

FIG. 6 is a top plan view thereof; and,

FIG. 7 is a bottom plan view thereof.

The broken lines shown on the drawings depict portions of the illuminator that form no part of the claimed design.

1 Claim, 7 Drawing Sheets



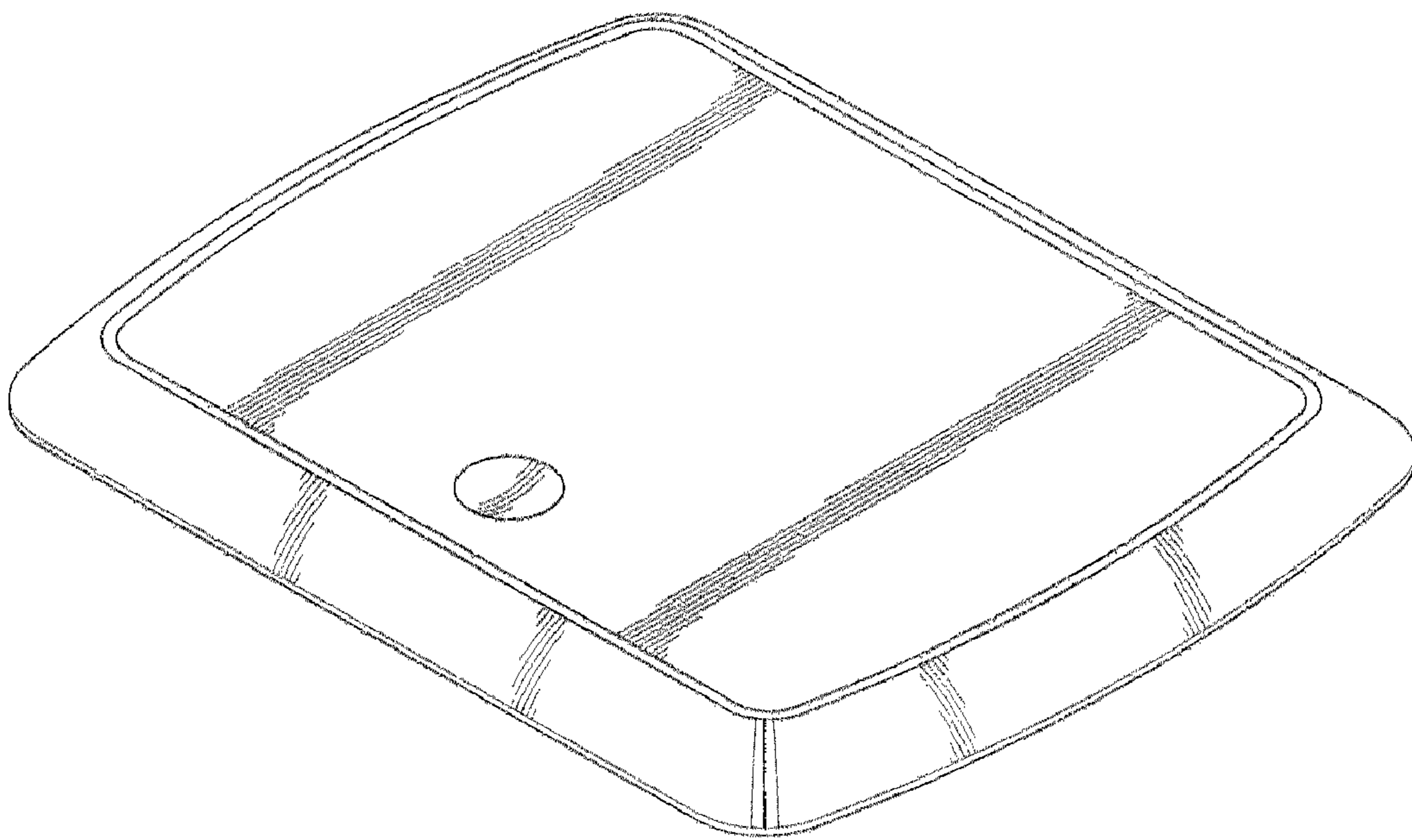


FIG. 1

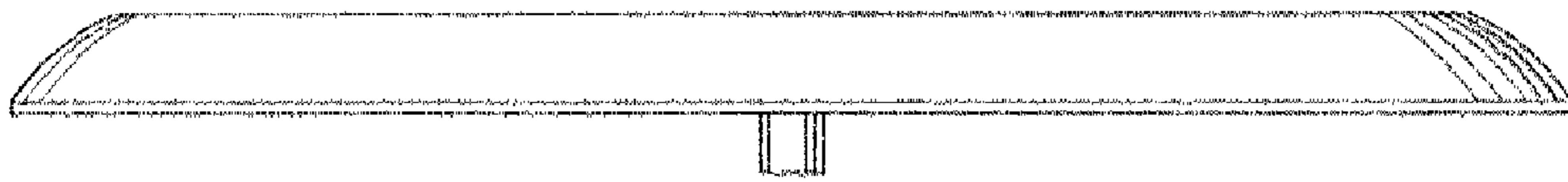


FIG. 2

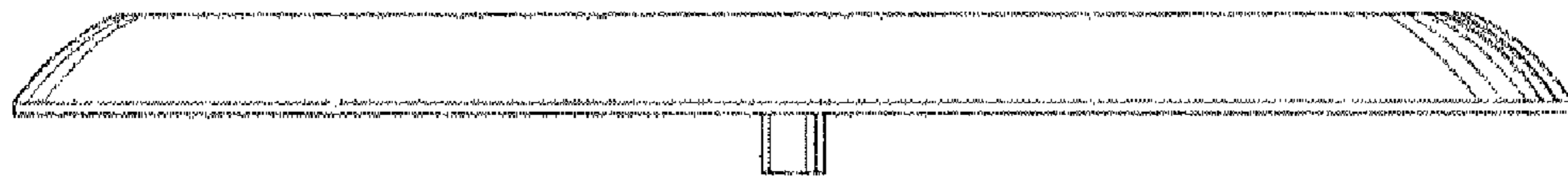


FIG. 3

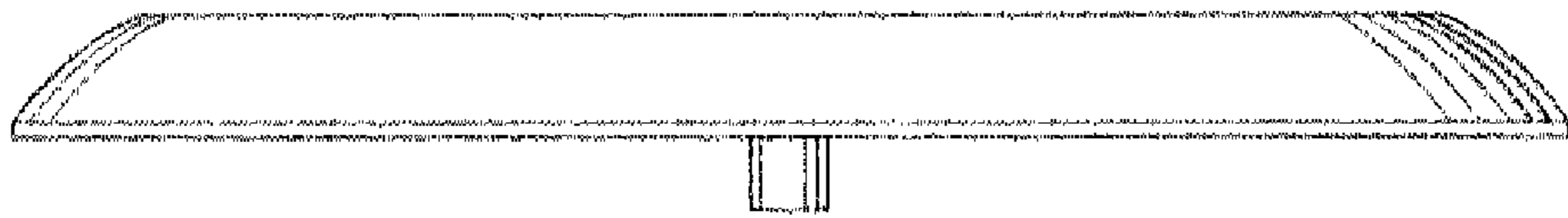


FIG. 4

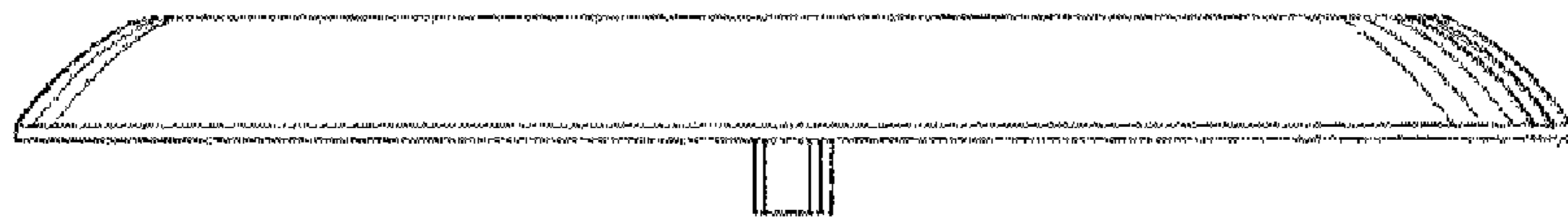


FIG. 5

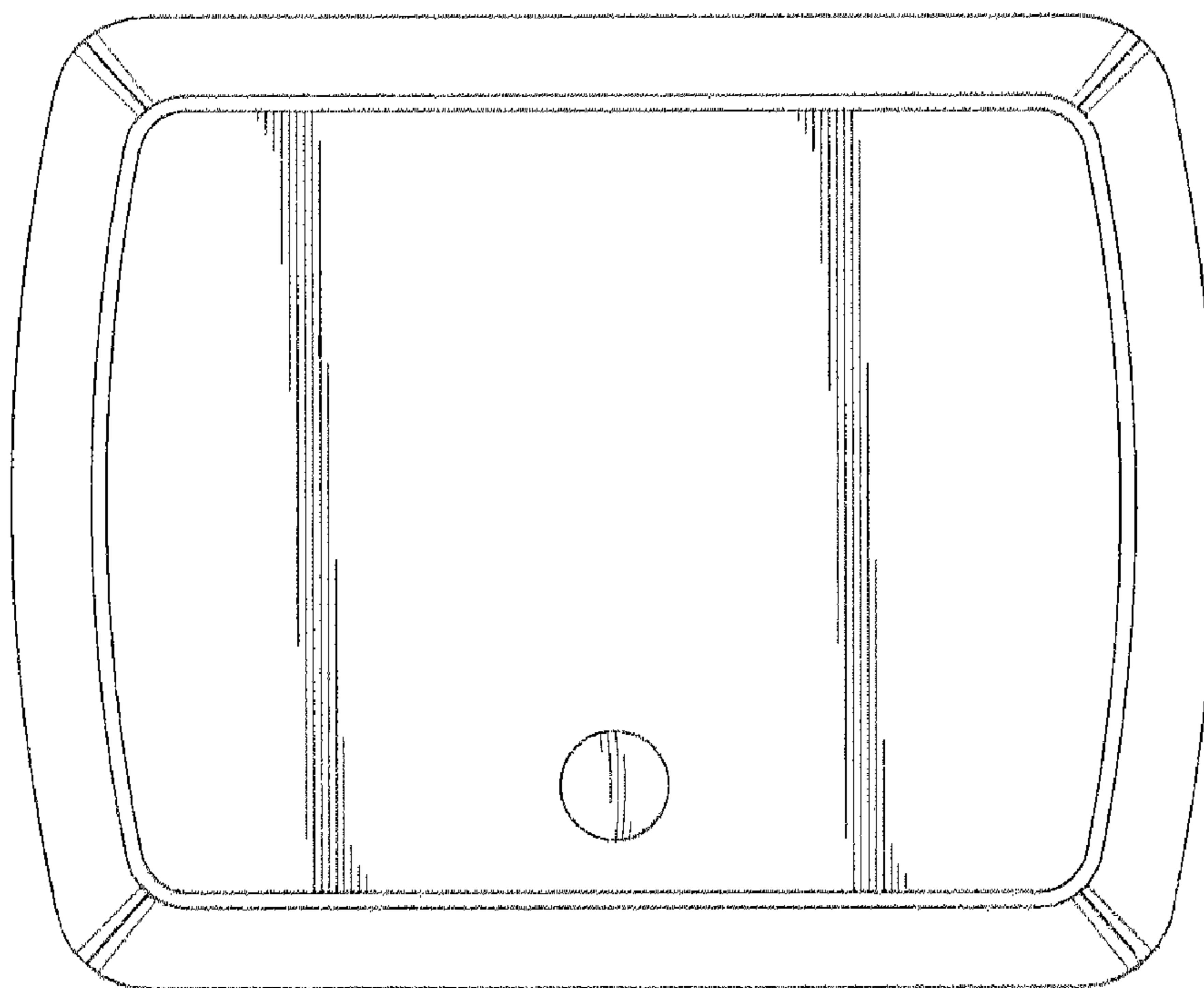


FIG. 6

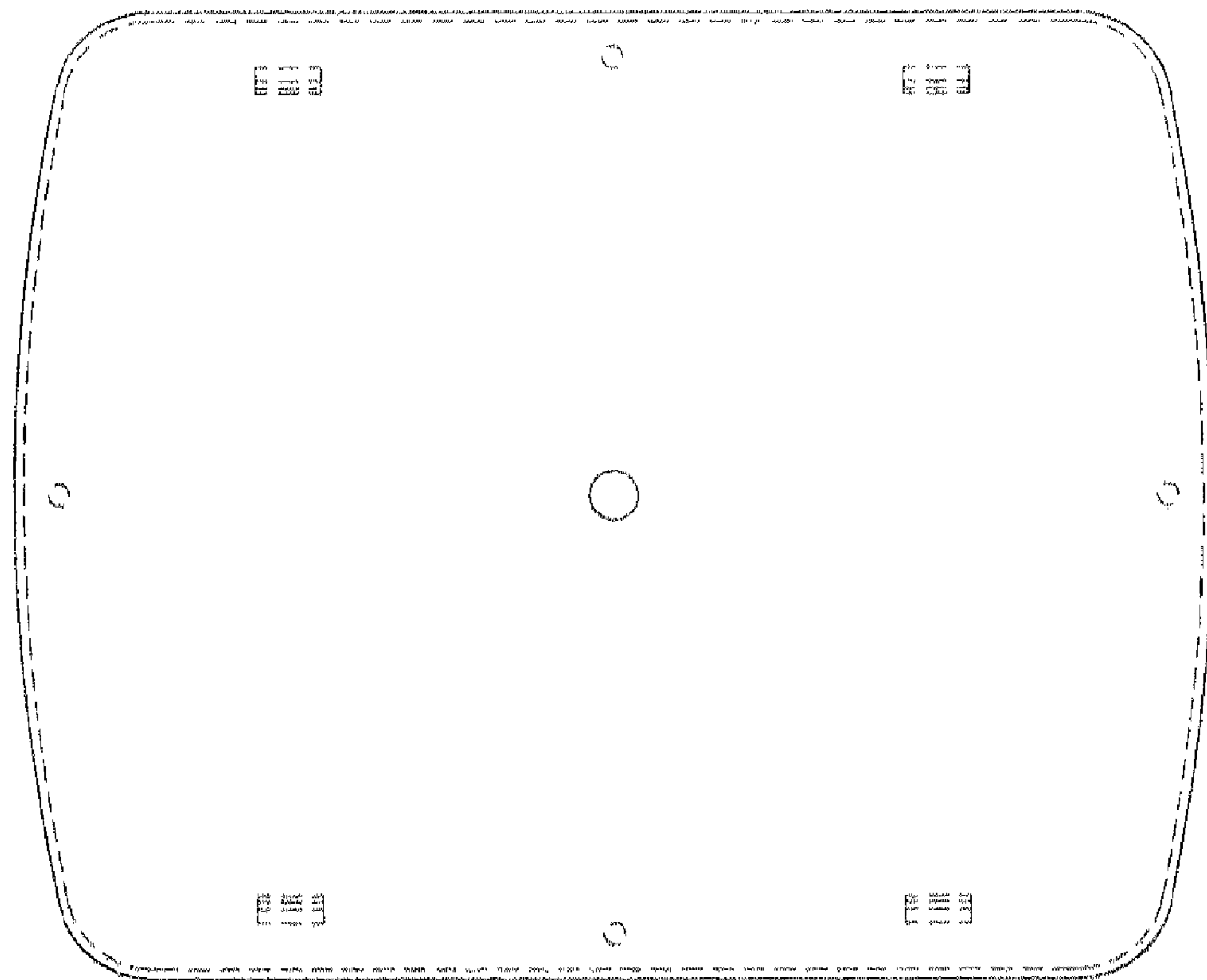


FIG. 7