



US00D674523S

(12) **United States Design Patent**  
**Kaffash**

(10) **Patent No.:** **US D674,523 S**

(45) **Date of Patent:** **\*\* Jan. 15, 2013**

(54) **LED SURFACE MOUNT AND VEHICLE LIGHT**

D653,370 S \* 1/2012 Grebert et al. .... D26/28

\* cited by examiner

(76) Inventor: **Modjgan Kaffash**, Great Neck, NY (US)

*Primary Examiner* — Marcus Jackson

(74) *Attorney, Agent, or Firm* — Michael D. Eisenberg

(\*\*) Term: **14 Years**

(57) **CLAIM**

The ornamental design for a LED surface mount and vehicle light, as shown and described.

(21) Appl. No.: **29/383,145**

**DESCRIPTION**

(22) Filed: **Jan. 12, 2011**

(51) **LOC (9) Cl.** ..... **26-06**

(52) **U.S. Cl.** ..... **D26/28; D26/1**

(58) **Field of Classification Search** ..... D26/1, D26/28-36; 362/459-468, 475-478, 485-487; 313/313, 315, 316, 317, 318, 493  
See application file for complete search history.

FIG. 1 is a perspective view of a LED surface mount and vehicle light showing my new design;

FIG. 2 is a left side view of the surface mount and vehicle light;

FIG. 3 is a top view of the surface mount and vehicle light;

FIG. 4 is a right side view of the surface mount and vehicle light;

FIG. 5 is a front view of the surface mount and vehicle light;

FIG. 6 is a rear view of the surface mount and vehicle light;

and,

FIG. 7 is a bottom view of the surface mount and vehicle light.

The diameter of the circular pattern formed by the LEDs from center to center of opposing LEDs can range from 0.5 inches to 3 inches.

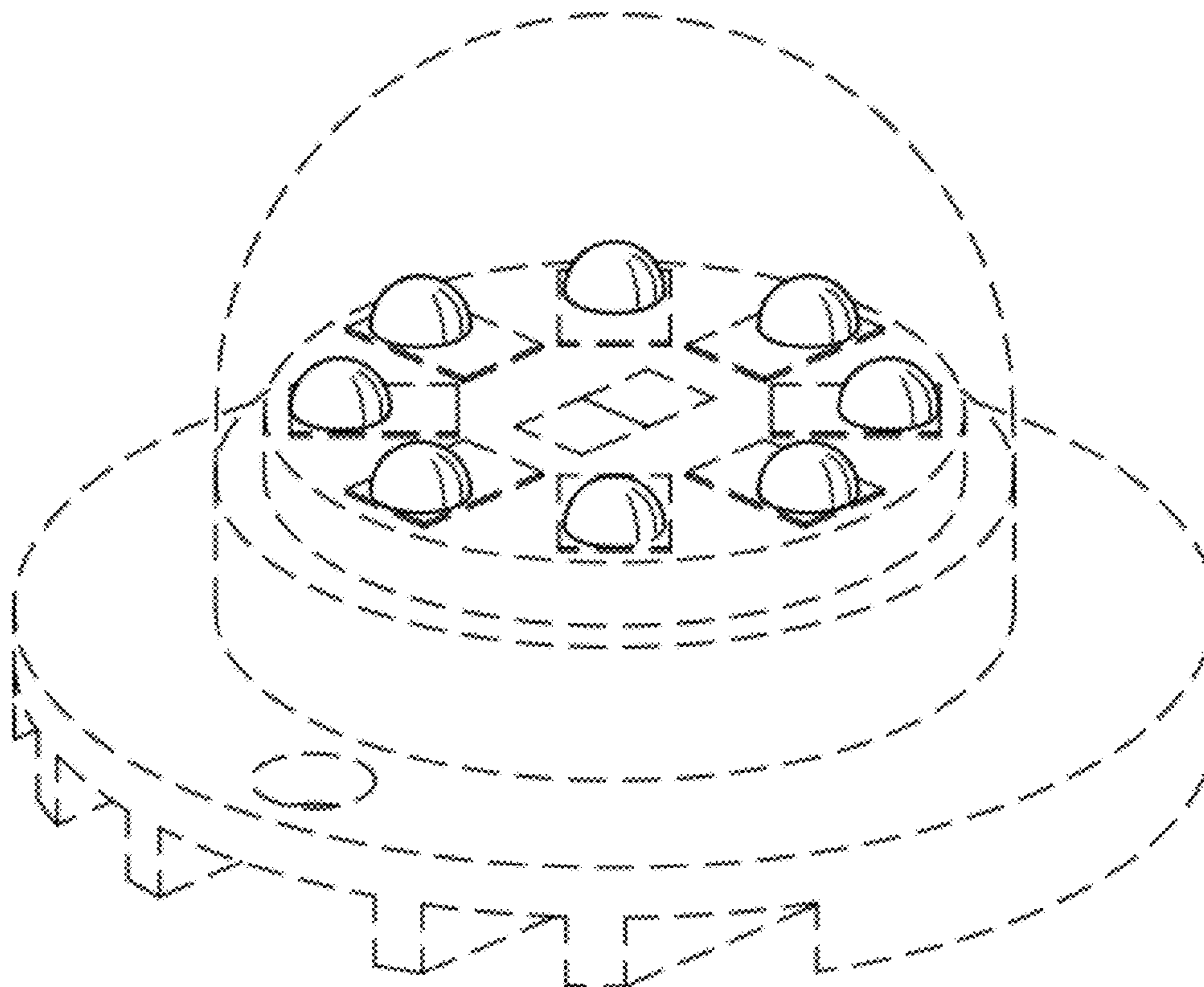
The broken lines shown are for illustrative purposes only and form no part of the claimed design.

(56) **References Cited**

U.S. PATENT DOCUMENTS

D550,383 S *	9/2007	Asai	.....	D26/28
D556,349 S *	11/2007	Golden et al.	.....	D26/28
D560,291 S *	1/2008	Koyama	.....	D26/28
D600,836 S *	9/2009	Hanley et al.	.....	D26/1
D625,443 S *	10/2010	Herbin et al.	.....	D26/28
D641,504 S *	7/2011	Lin	.....	D26/28

**1 Claim, 4 Drawing Sheets**



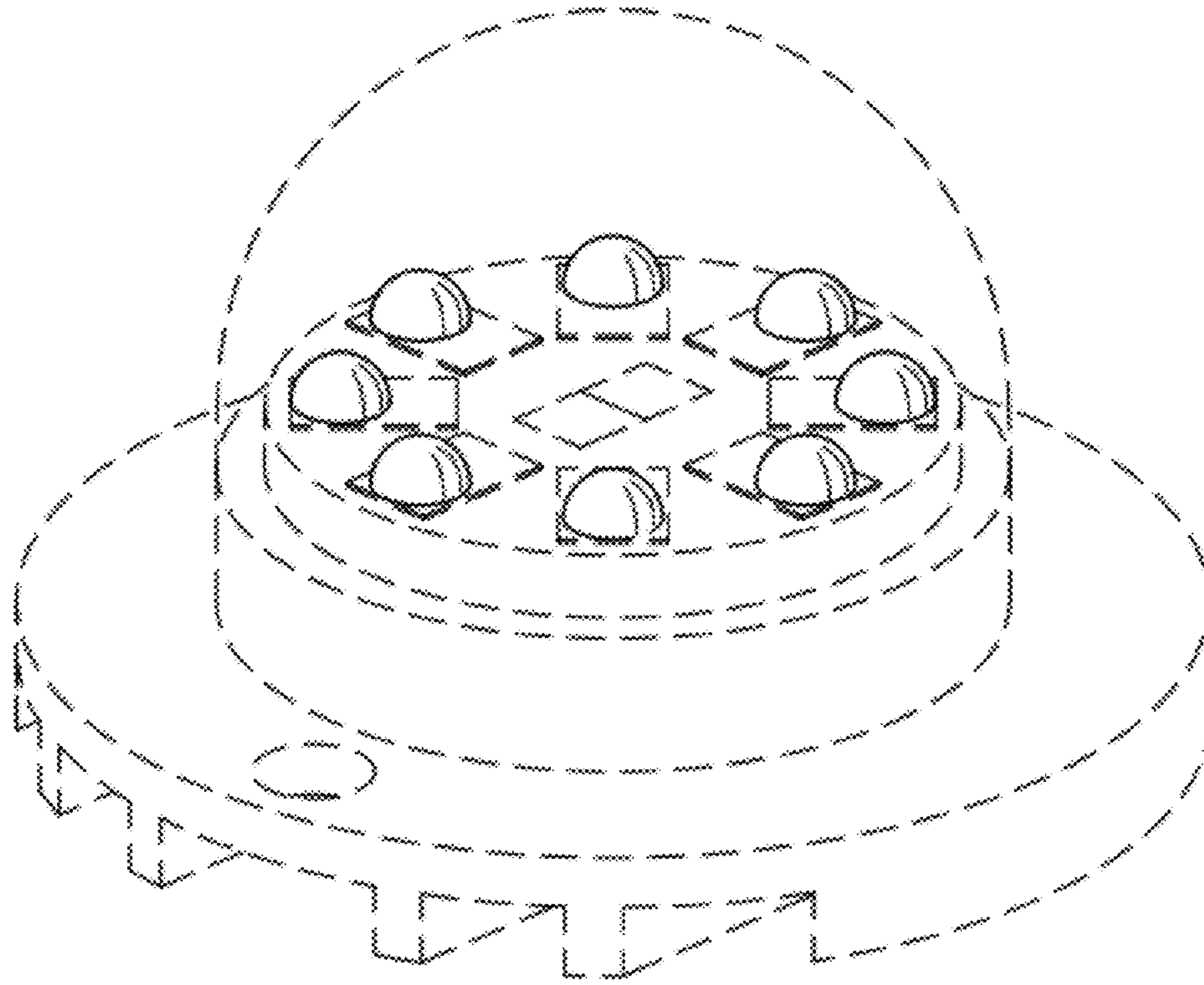


FIG. 1

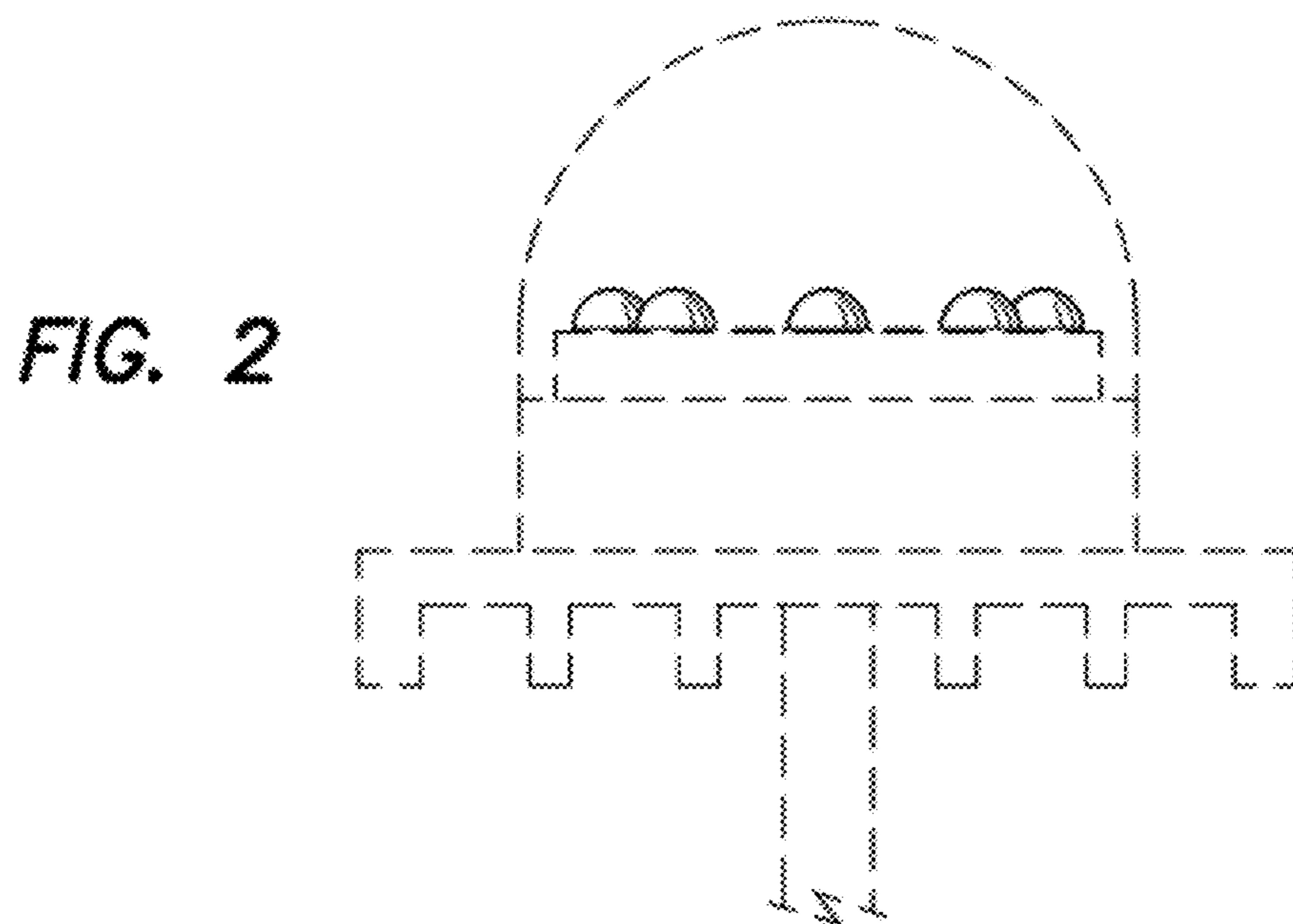


FIG. 2

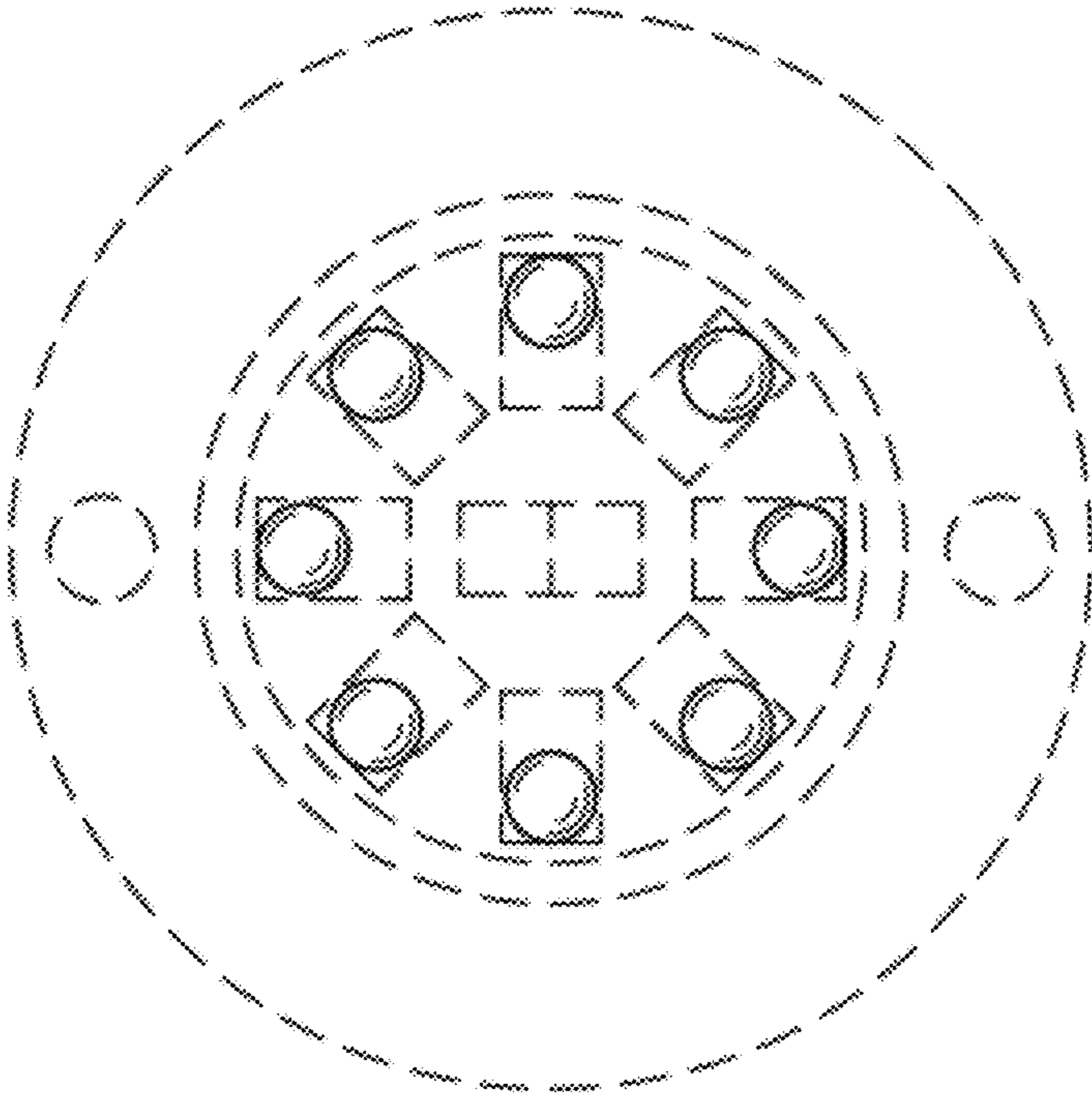


FIG. 3

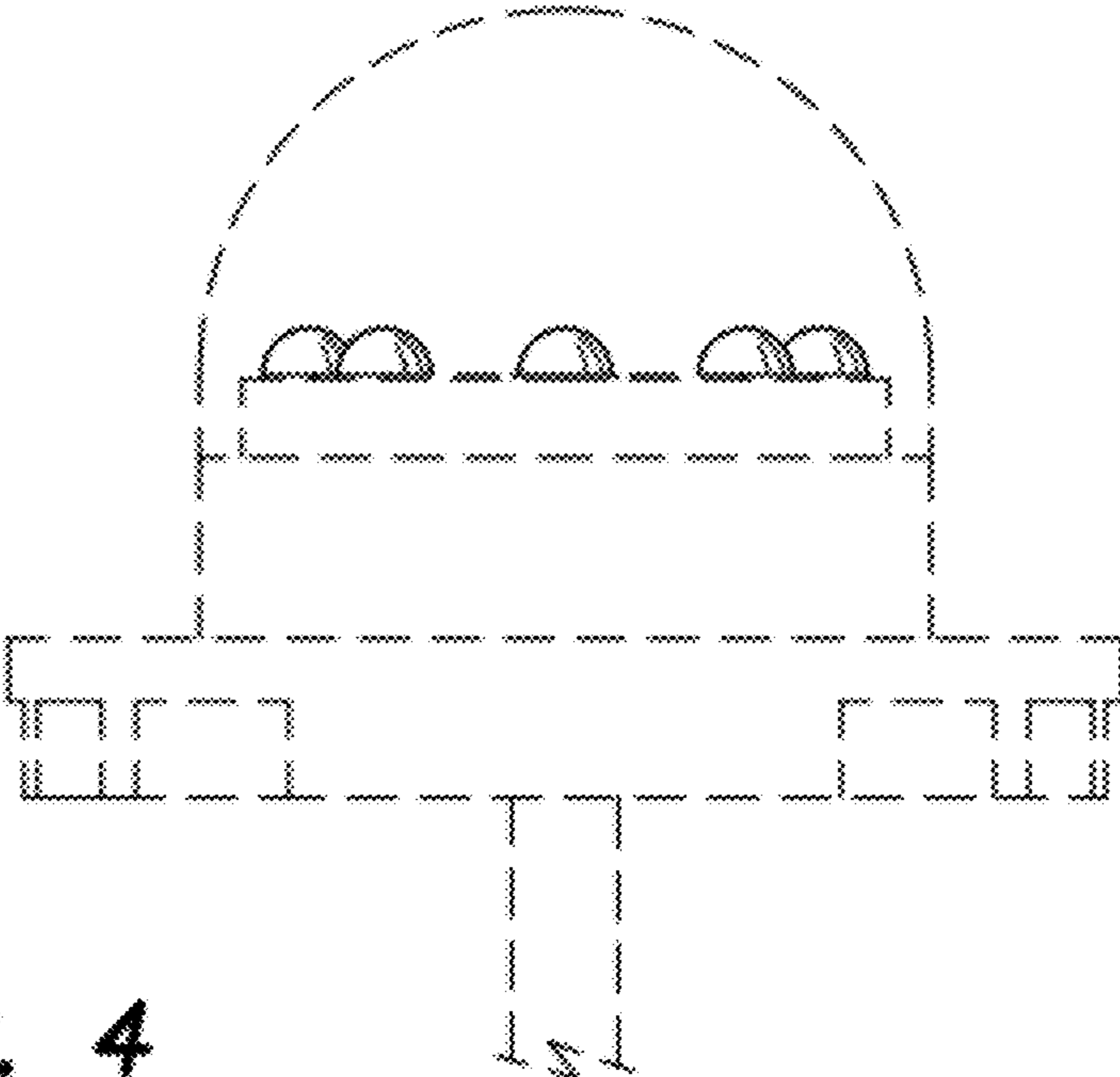
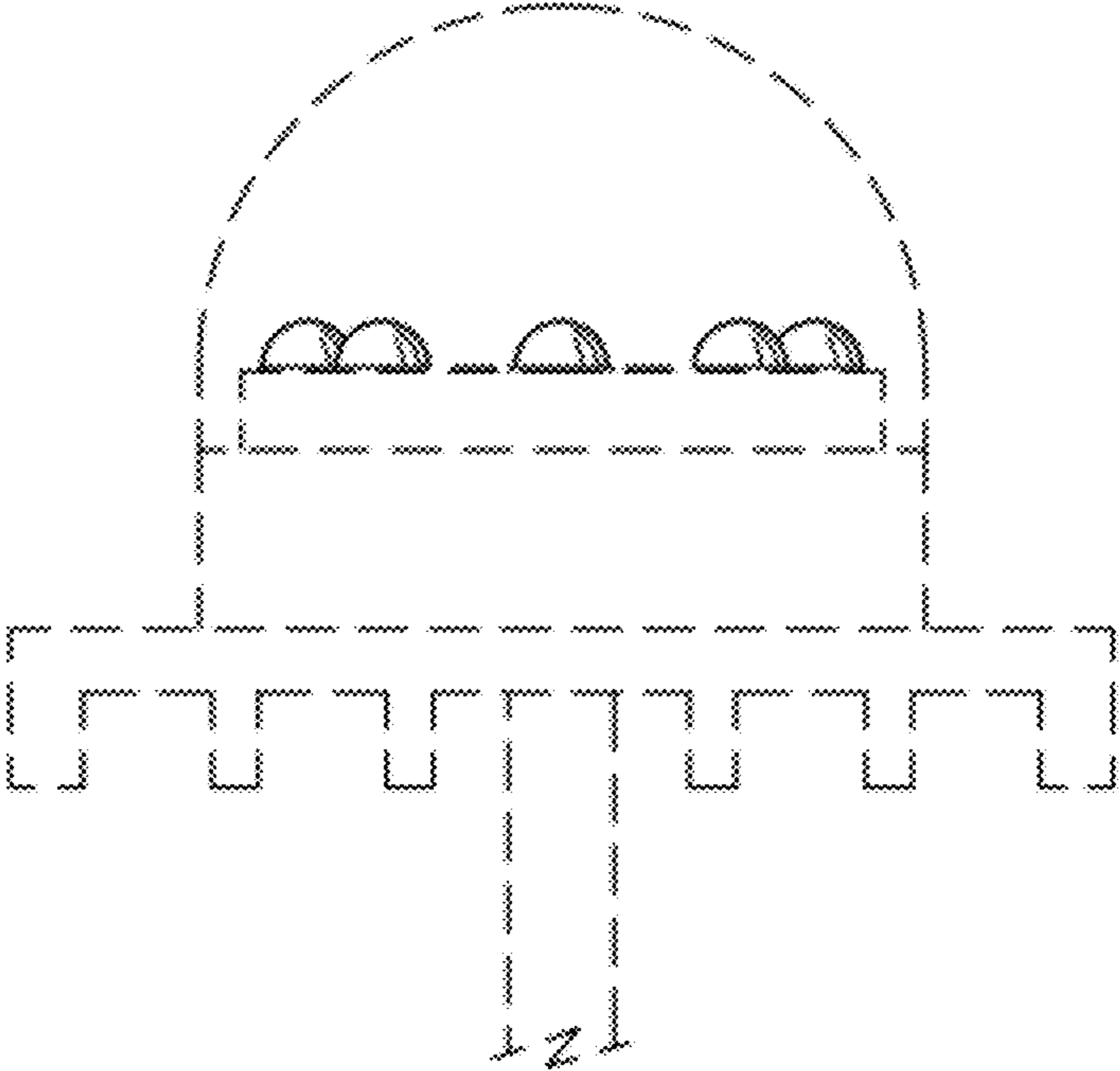
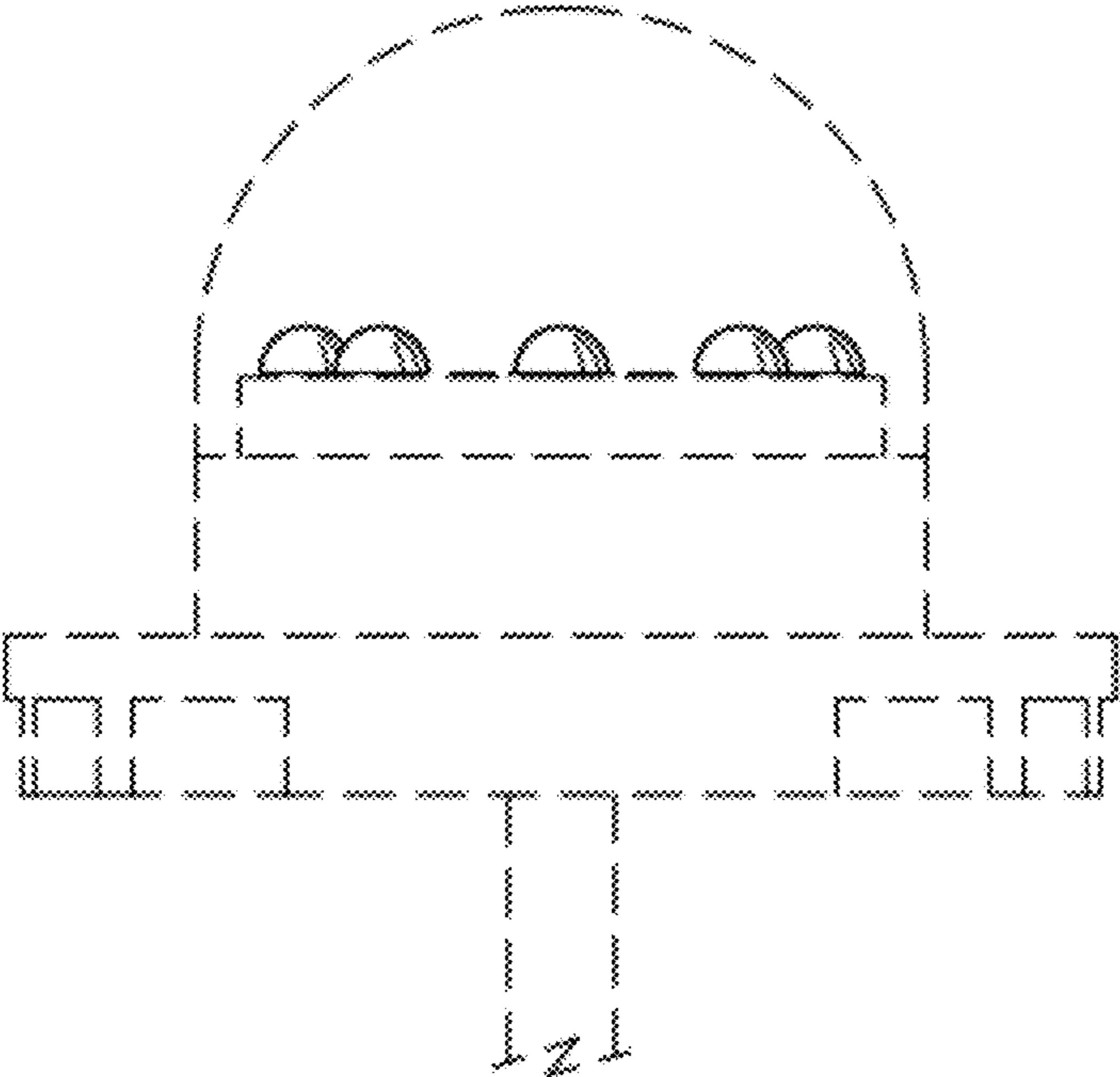


FIG. 4

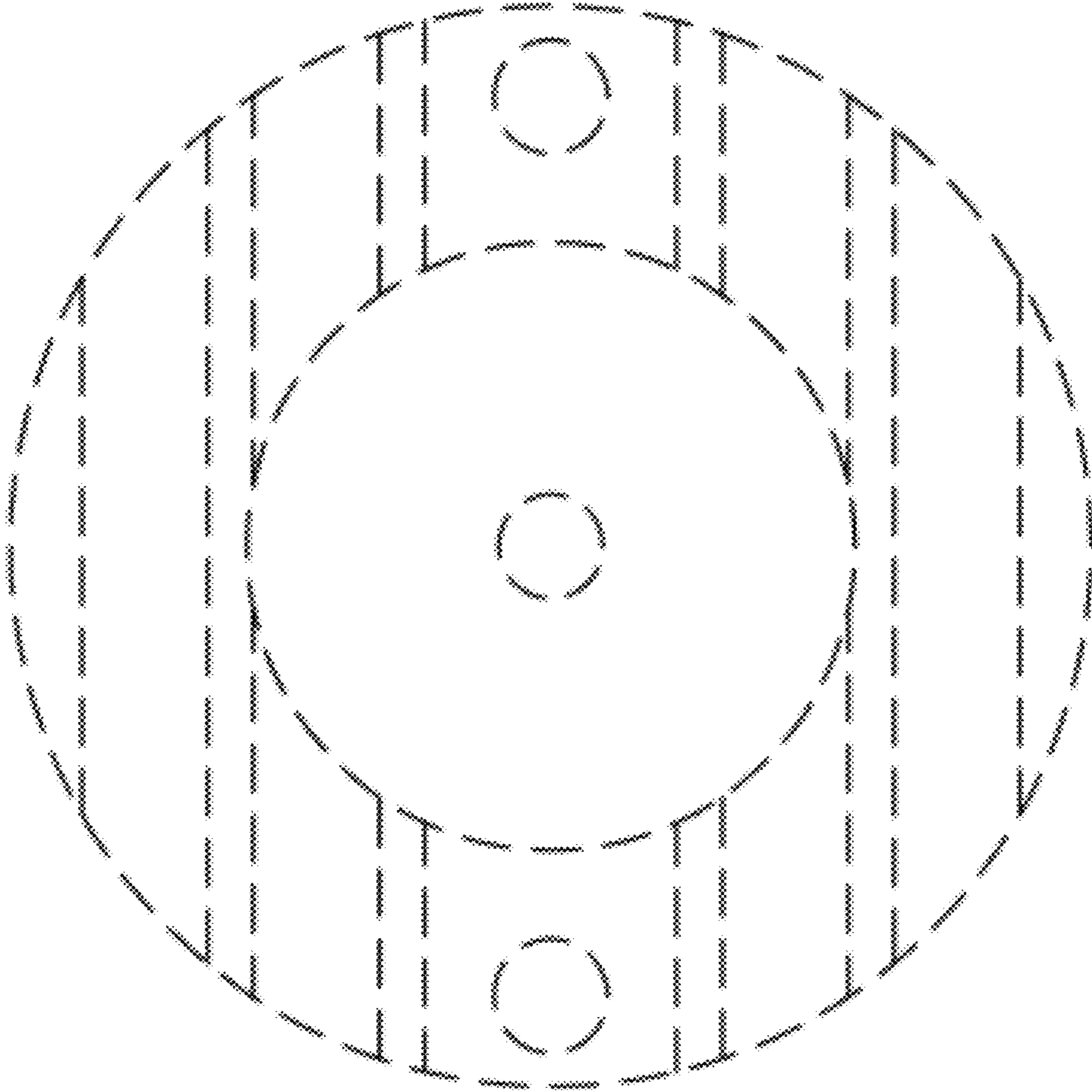
**FIG. 5**



**FIG. 6**







**FIG. 7**