



US00D674522S

(12) **United States Design Patent**
Bieling et al.

(10) **Patent No.:** **US D674,522 S**
(45) **Date of Patent:** **** Jan. 15, 2013**

(54) **HEADLIGHT FOR A VEHICLE**

(74) *Attorney, Agent, or Firm* — Crowell & Moring LLP

(75) Inventors: **Matthias Bieling**, Stuttgart (DE);
Hans-Dieter Futschik, Stuttgart (DE);
Stefan Handt, Stuttgart (DE); **Gorden Wagener**, Stuttgart (DE)

(57) **CLAIM**
The ornamental design for a headlight for a vehicle, as shown and described.

(73) Assignee: **Daimler AG**, Stuttgart (DE)

DESCRIPTION

(**) Term: **14 Years**

This application contains subject matter related to the following co-pending U.S. design patent applications:
Application Ser. No. 29/371,341, filed herewith and entitled "Headlight for a Vehicle";
Application Ser. No. 29/371,339, filed herewith and entitled "Headlight for a Vehicle";
Application Ser. No. 29/311,765, filed Jun. 15, 2009 and entitled "Vehicle and Vehicle Shaped Articles;"
Application Ser. No. 29/311,767, filed Jun. 15, 2009 and entitled "Front Portion of a Vehicle and Vehicle Shaped Articles;" and
Application Ser. No. 29/311,650, filed May 15, 2009 and entitled "Headlight for a Vehicle."

(21) Appl. No.: **29/371,340**

(22) Filed: **Jan. 6, 2011**

(30) **Foreign Application Priority Data**

Jul. 7, 2010 (DE) 402010003618

(51) **LOC (9) Cl.** **26-06**

(52) **U.S. Cl.** **D26/28**

(58) **Field of Classification Search** D26/28-36;
362/459-468, 475-478, 485-487

See application file for complete search history.

(56) **References Cited**

U.S. PATENT DOCUMENTS

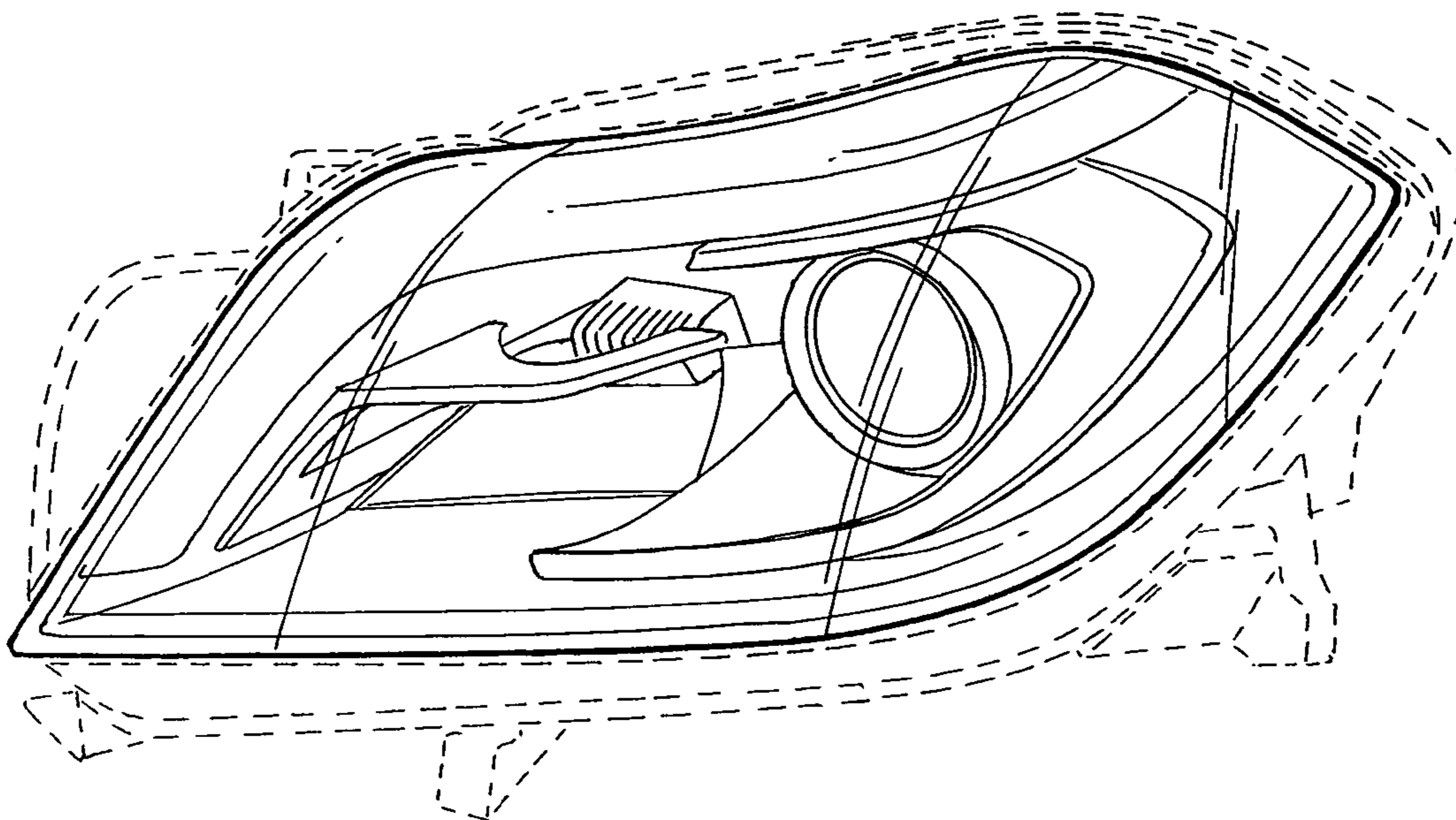
D507,991 S	8/2005	Pfeiffer et al.	
D508,745 S	8/2005	Pfeiffer et al.	
D514,026 S	1/2006	Pfeiffer et al.	
D528,681 S *	9/2006	Nakahara	D26/28
D528,685 S *	9/2006	Yoshida	D26/28
D544,114 S *	6/2007	Ohta	D26/28
D544,614 S *	6/2007	Markefka	D26/28
D549,857 S *	8/2007	Lin	D26/28
D561,358 S *	2/2008	Tachibana	D26/28

* cited by examiner

FIG. 1 is a right perspective view of a first embodiment of a headlight for a vehicle according to our design;
FIG. 2 is a front view thereof;
FIG. 3 is a right side view thereof; and
FIG. 4 is a top view thereof.
FIG. 5 is a left perspective view of a second embodiment of the headlight for a vehicle according to our design, with the headlight for a vehicle for the opposite side of the vehicle being depicted in the first embodiment;
FIG. 6 is a front view thereof;
FIG. 7 is a left side view thereof; and,
FIG. 8 is a top view thereof.
The broken lines are for illustrative purposes only and form no part of the claimed design.

Primary Examiner — Marcus Jackson

1 Claim, 4 Drawing Sheets



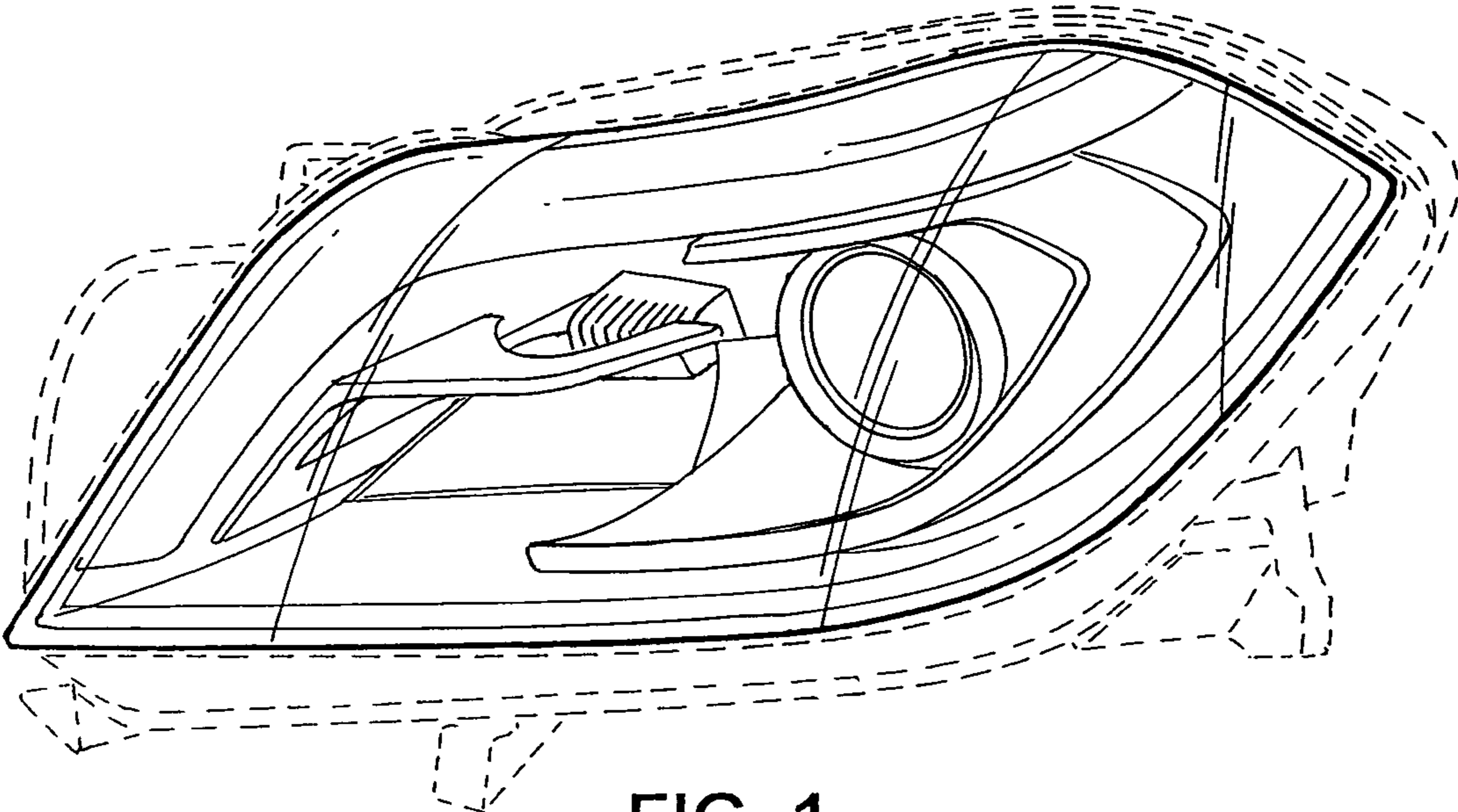


FIG. 1

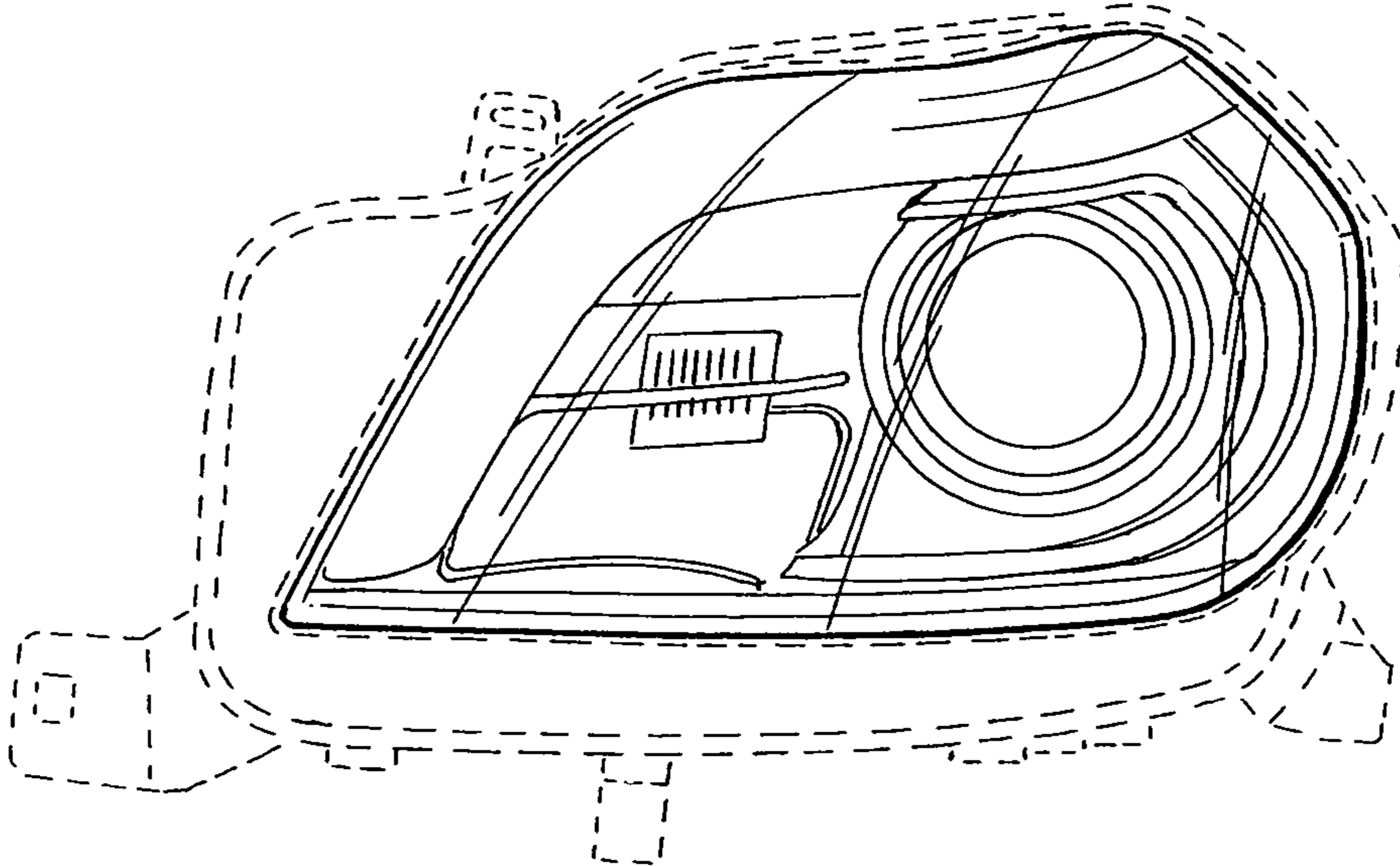


FIG. 2

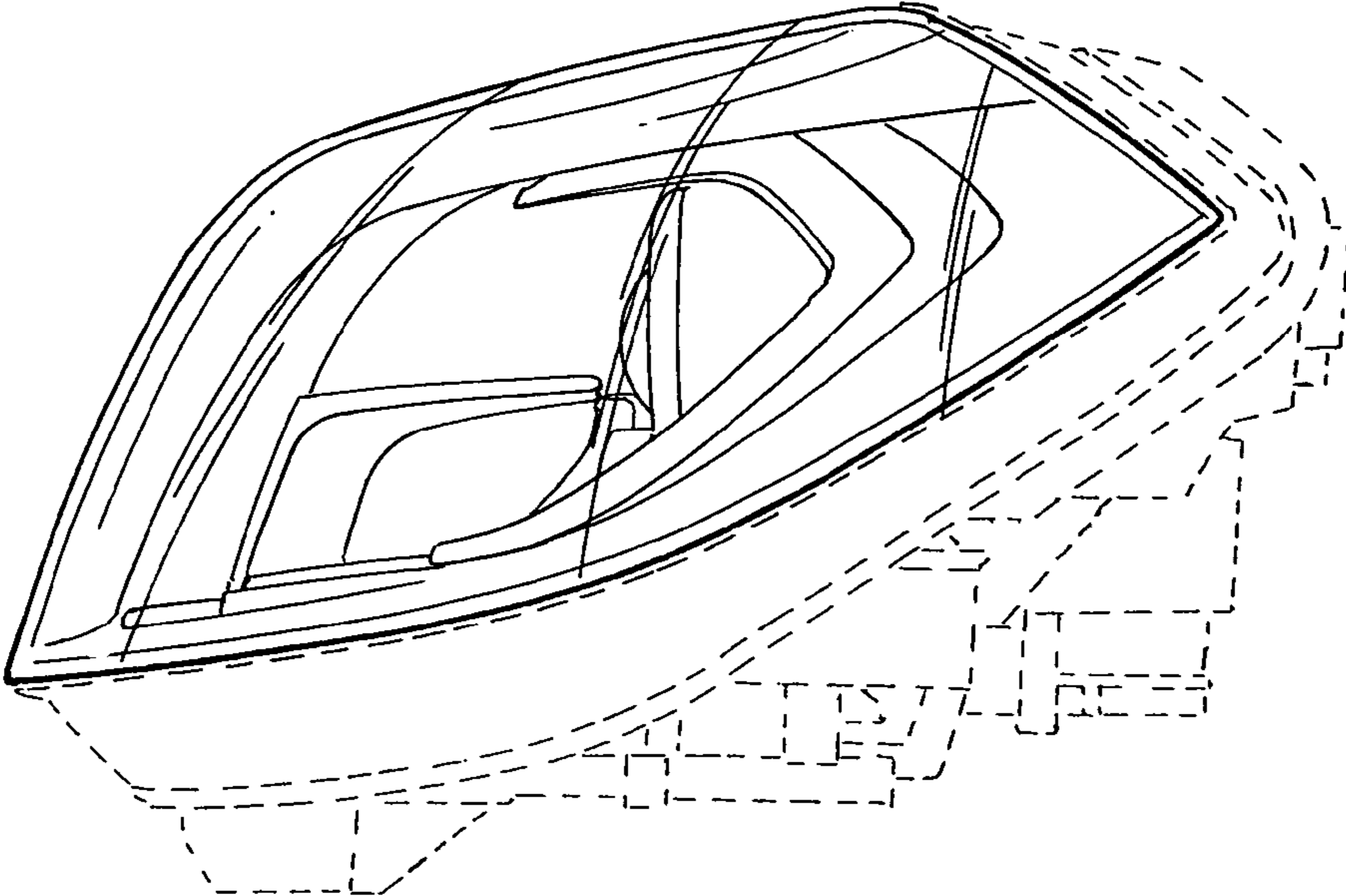


FIG. 3

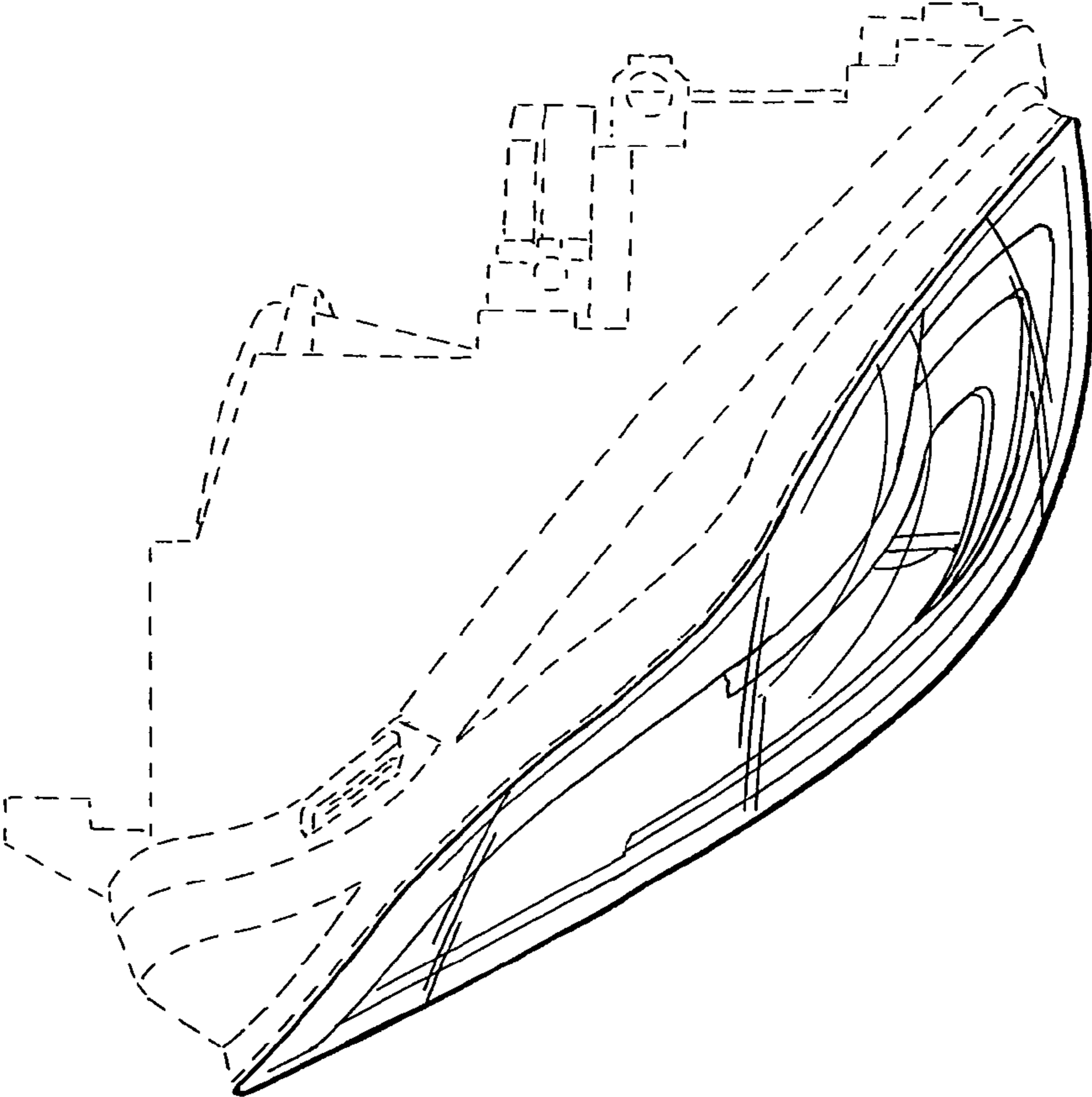


FIG. 4

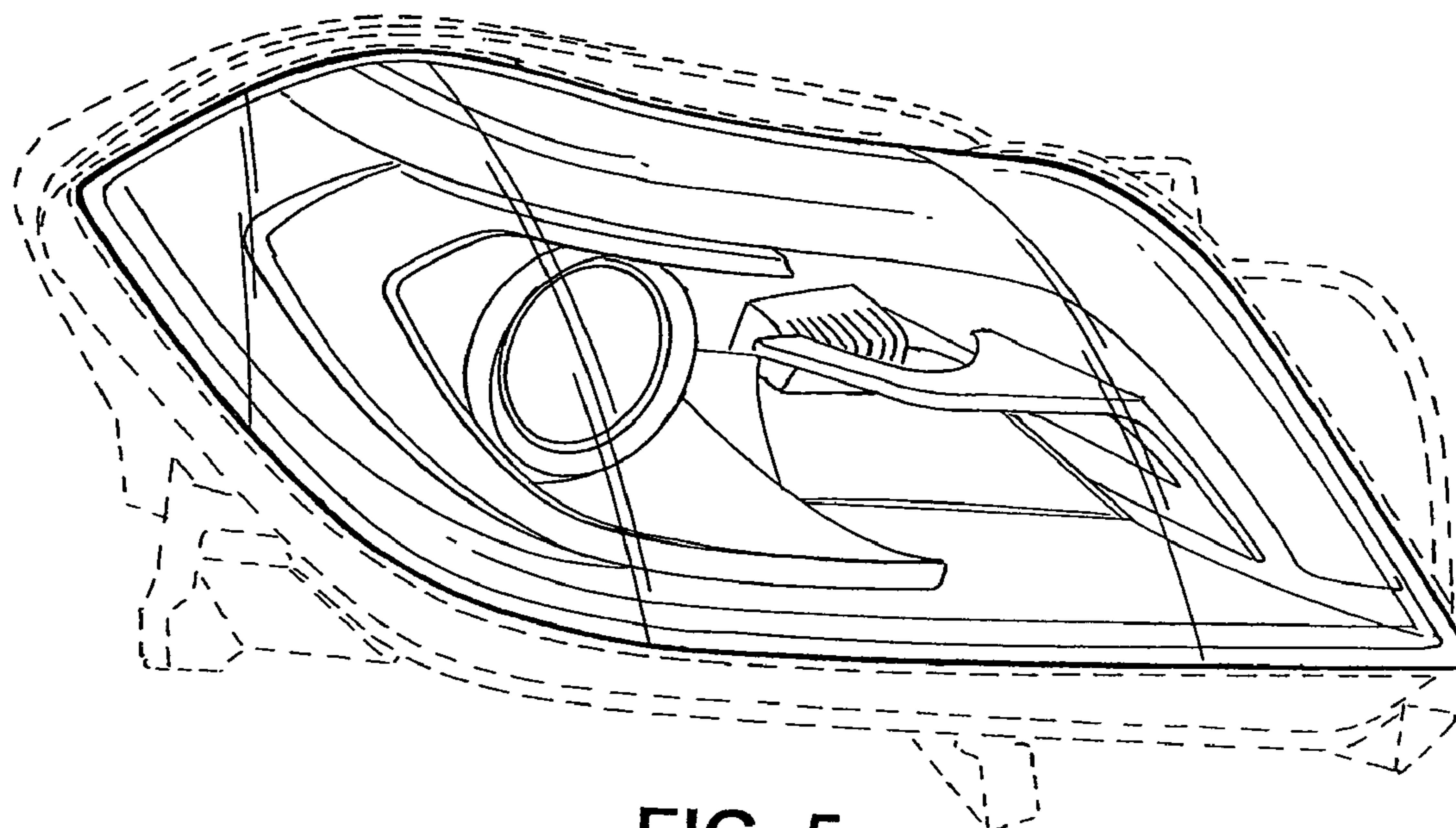


FIG. 5

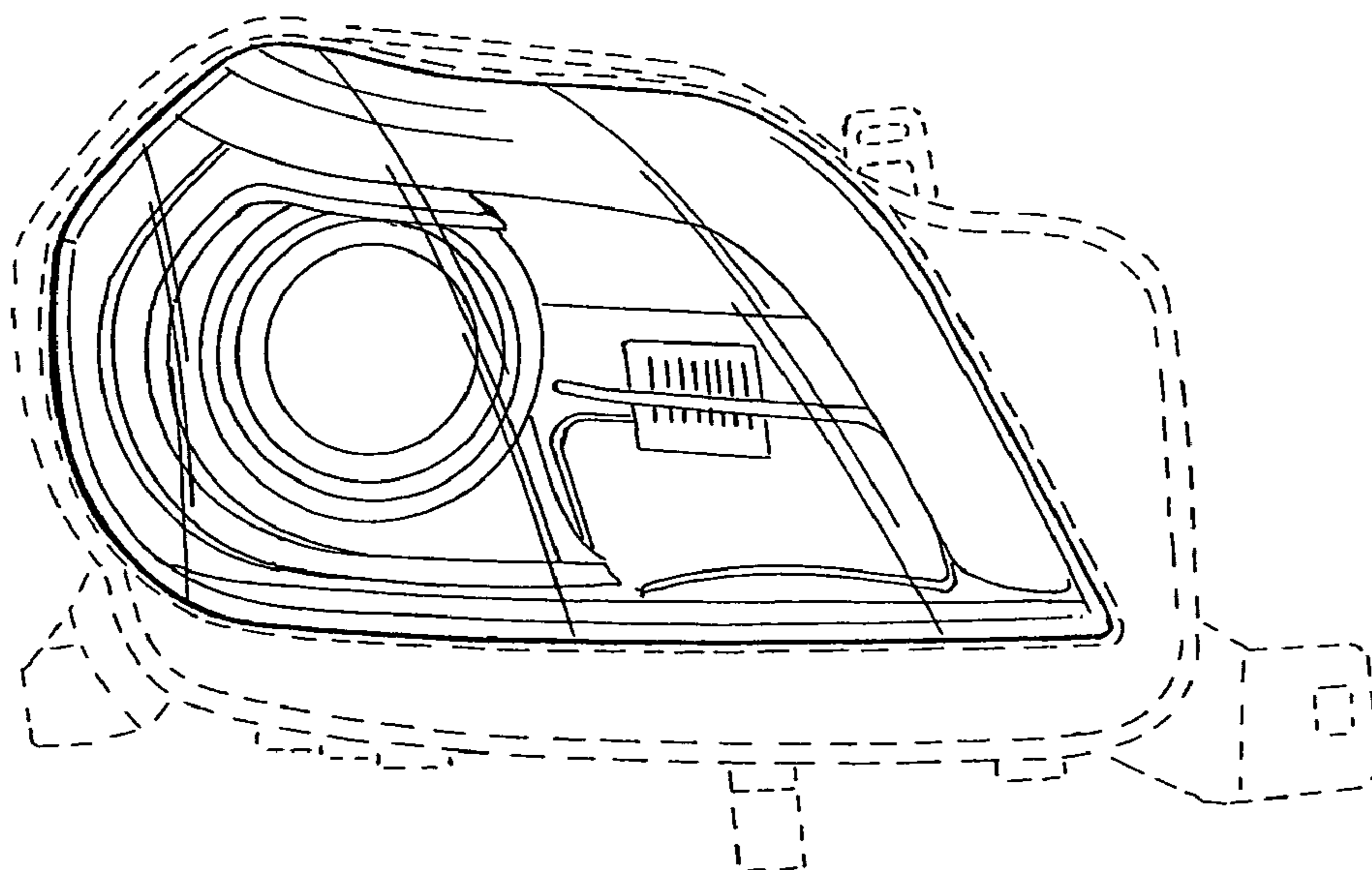


FIG. 6

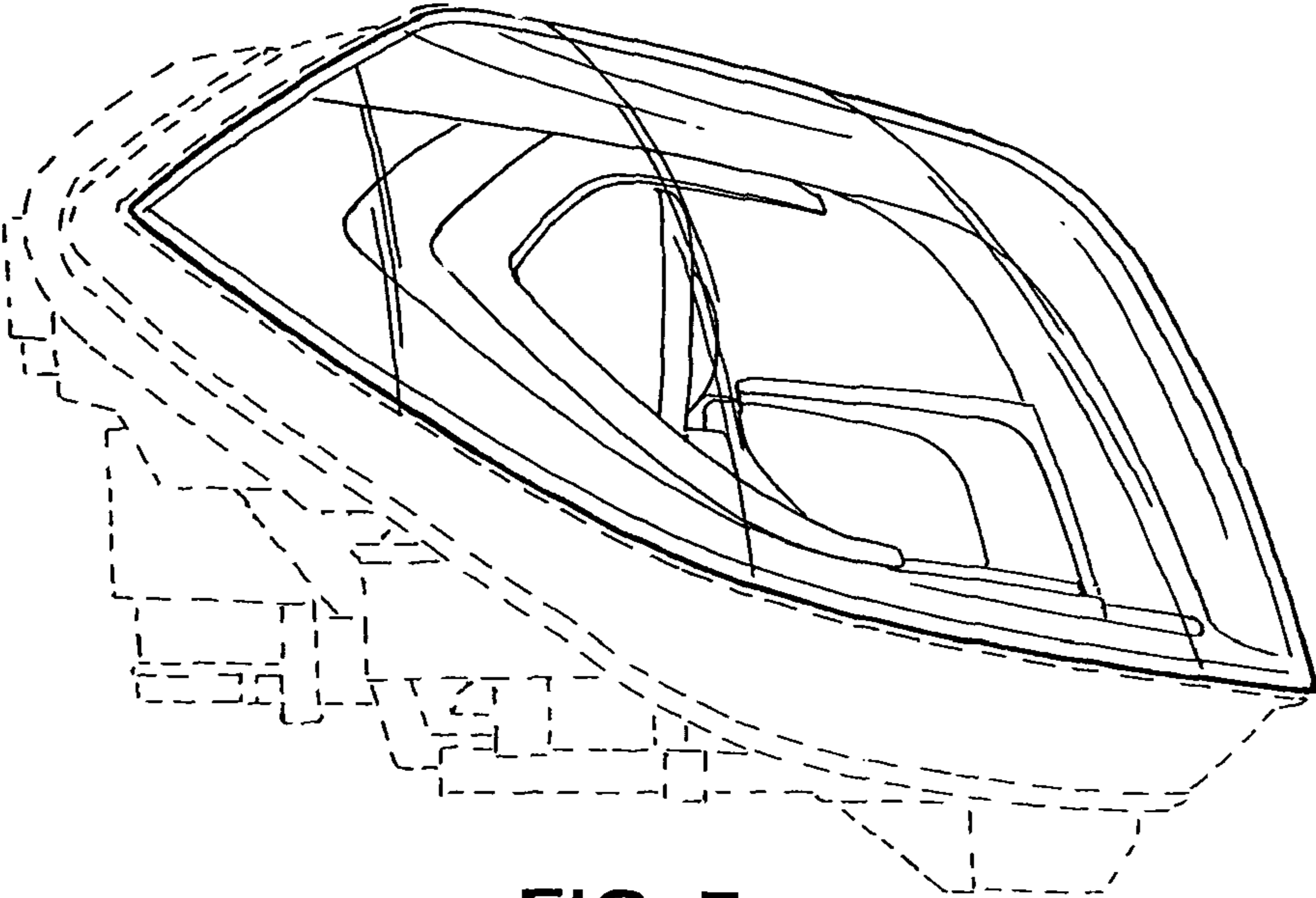


FIG. 7

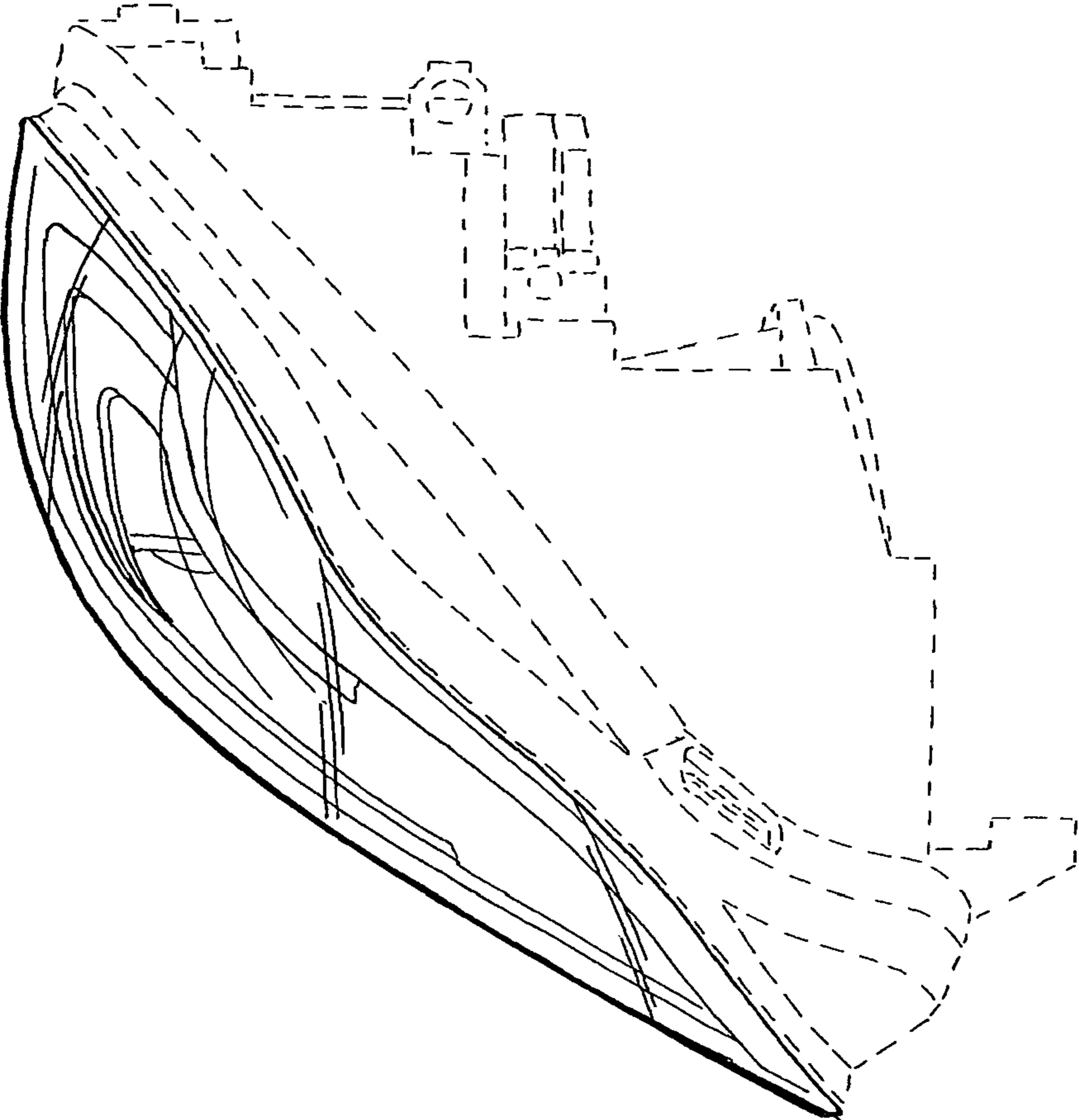


FIG. 8