



US00D674514S

(12) **United States Design Patent**  
**Harmon**

(10) **Patent No.:** **US D674,514 S**  
(45) **Date of Patent:** **\*\* Jan. 15, 2013**

(54) **RADIANT HEAT FLOOR PANEL**

(76) Inventor: **David L. Harmon**, Cambridge, MA  
(US)

(\*\*) Term: **14 Years**

(21) Appl. No.: **29/373,748**

(22) Filed: **May 18, 2011**

(51) **LOC (9) Cl.** ..... **25-01**

(52) **U.S. Cl.** ..... **D25/138**

(58) **Field of Classification Search** ..... D25/151,  
D25/157, 158, 160, 138; 404/36, 39, 42;  
52/589.1, 586.1, 586.2, 574, 385, 605, 596,  
52/608, 609, 387, 388, 314  
See application file for complete search history.

(56) **References Cited**

**U.S. PATENT DOCUMENTS**

6,185,893	B1 *	2/2001	Gaston	.....	52/385
6,237,296	B1 *	5/2001	Chang	.....	52/592.1
6,339,908	B1 *	1/2002	Chuang	.....	52/589.1
6,588,166	B2 *	7/2003	Martensson et al.	.....	52/578
D598,577	S *	8/2009	Li	.....	D25/138
7,832,165	B2 *	11/2010	Randjelovic	.....	52/385

\* cited by examiner

*Primary Examiner* — Doris Clark

(74) *Attorney, Agent, or Firm* — Jacobs Patent Office; Bruce  
F. Jacobs

(57) **CLAIM**

The ornamental design for a radiant heat floor panel, as shown and described.

**DESCRIPTION**

FIG. 1 is a top left perspective view of a radiant heat floor panel incorporating the new design.

FIG. 2 is a top right perspective view of the panel of FIG. 1.

FIG. 3 is a top perspective view of a radiant heat floor panel shown in FIGS. 1-2, attached to like panels and used in a floor. The floor is shown for environmental purposes only and forms no part of the claimed design.

FIG. 4 is a top left perspective view of a first alternative radiant heat floor panel to that of FIG. 1.

FIG. 5 is a top right perspective view of the panel of FIG. 4.

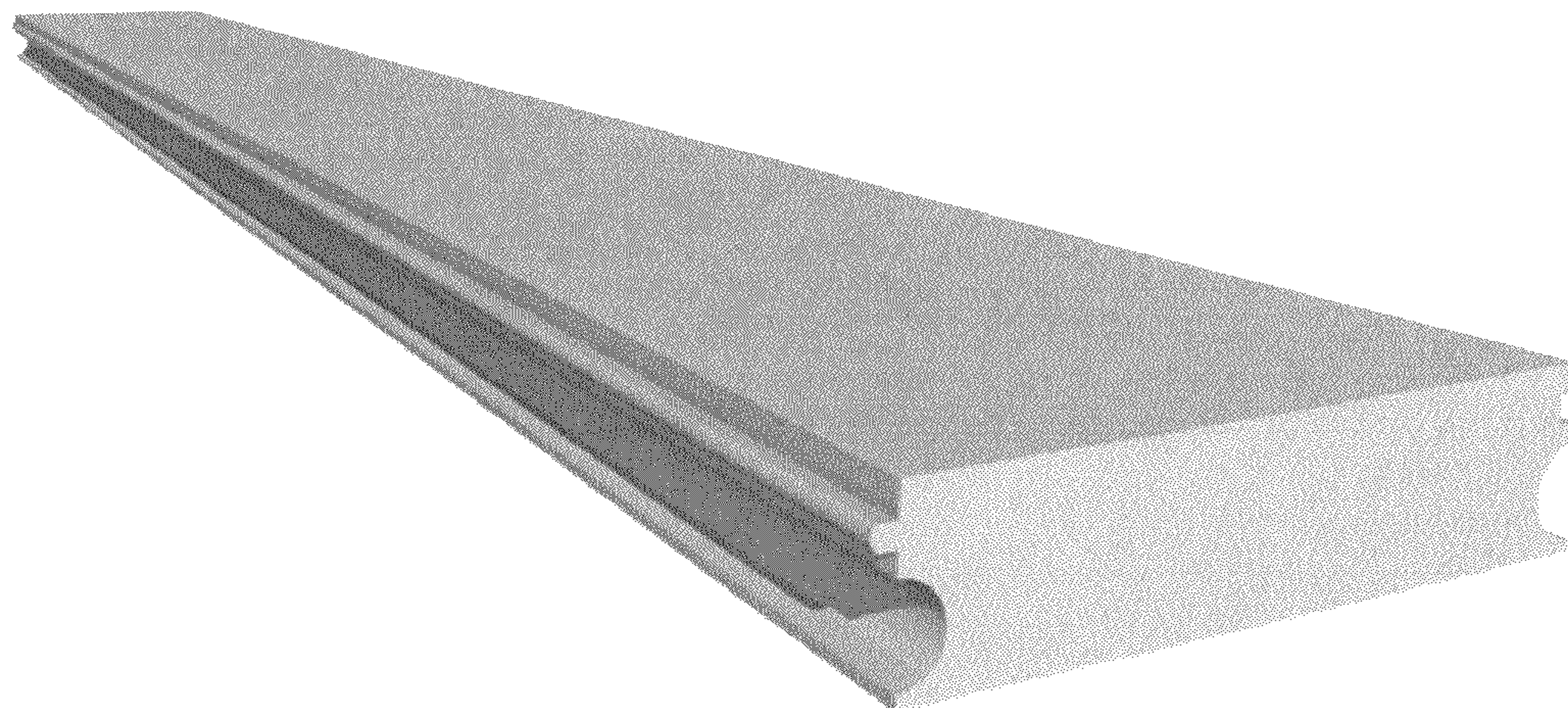
FIG. 6 is a top perspective view of a radiant heat floor panel shown in FIGS. 4-5, attached to like panels and used in a floor. The floor is shown for environmental purposes only and forms no part of the claimed design.

FIG. 7 is a top left perspective view of a second alternative radiant heat floor panel to FIG. 1.

FIG. 8 is a top right perspective view of the panel of FIG. 7; and,

FIG. 9 is a top perspective view of a radiant heat floor panel shown in FIGS. 7-8, attached to like panels and used in a floor. The floor is shown for environmental purposes only and forms no part of the claimed design.

**1 Claim, 3 Drawing Sheets**



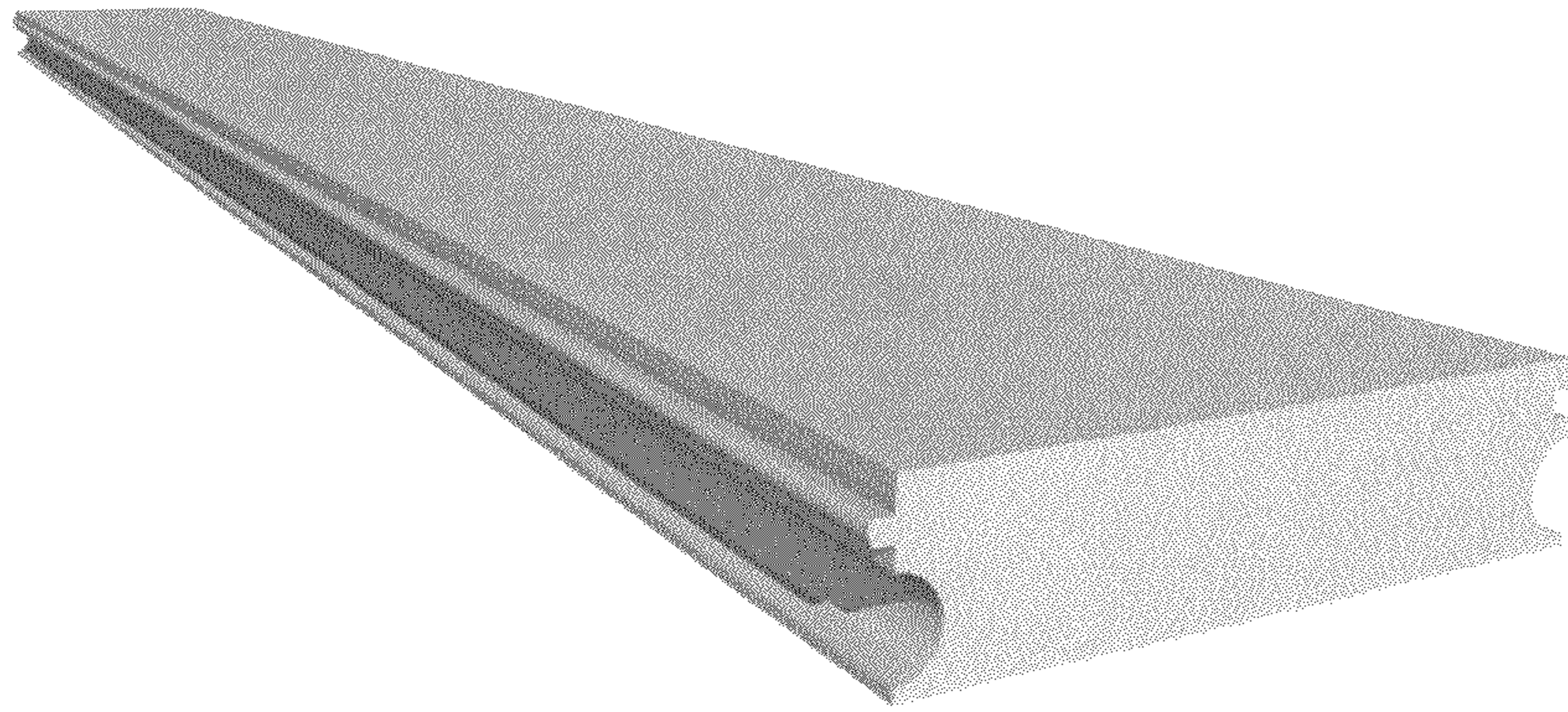


Figure 1

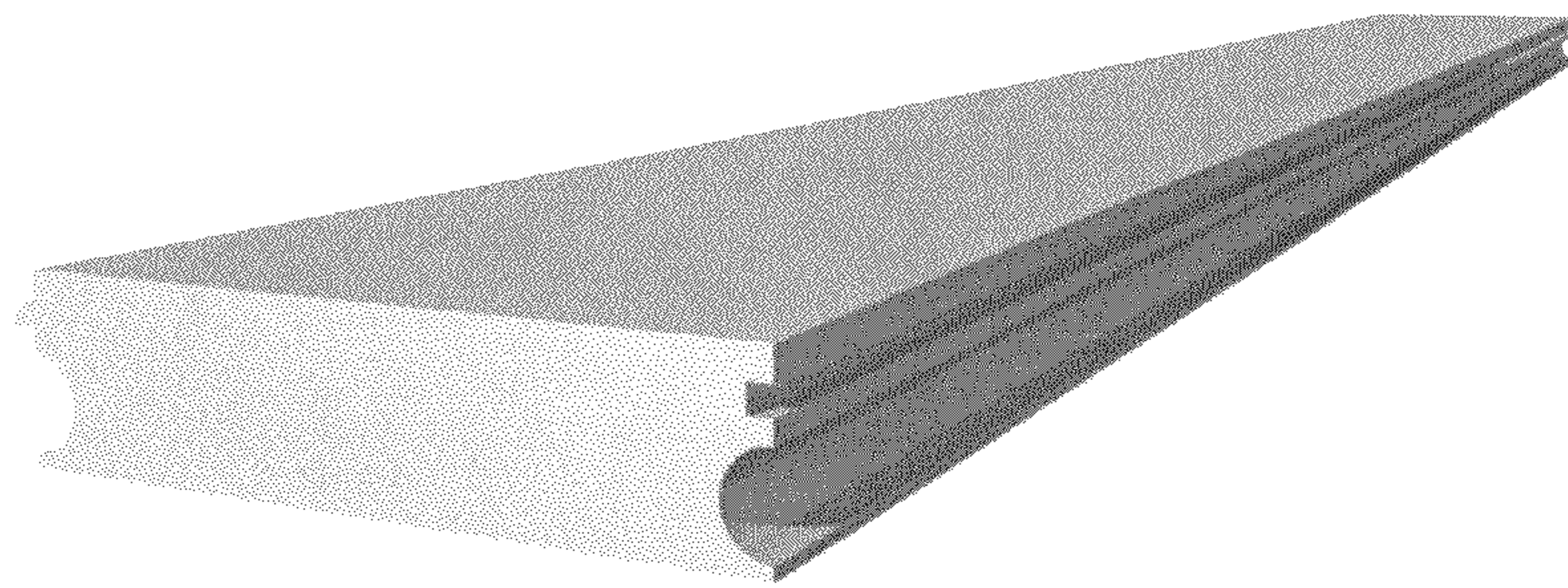


Figure 2

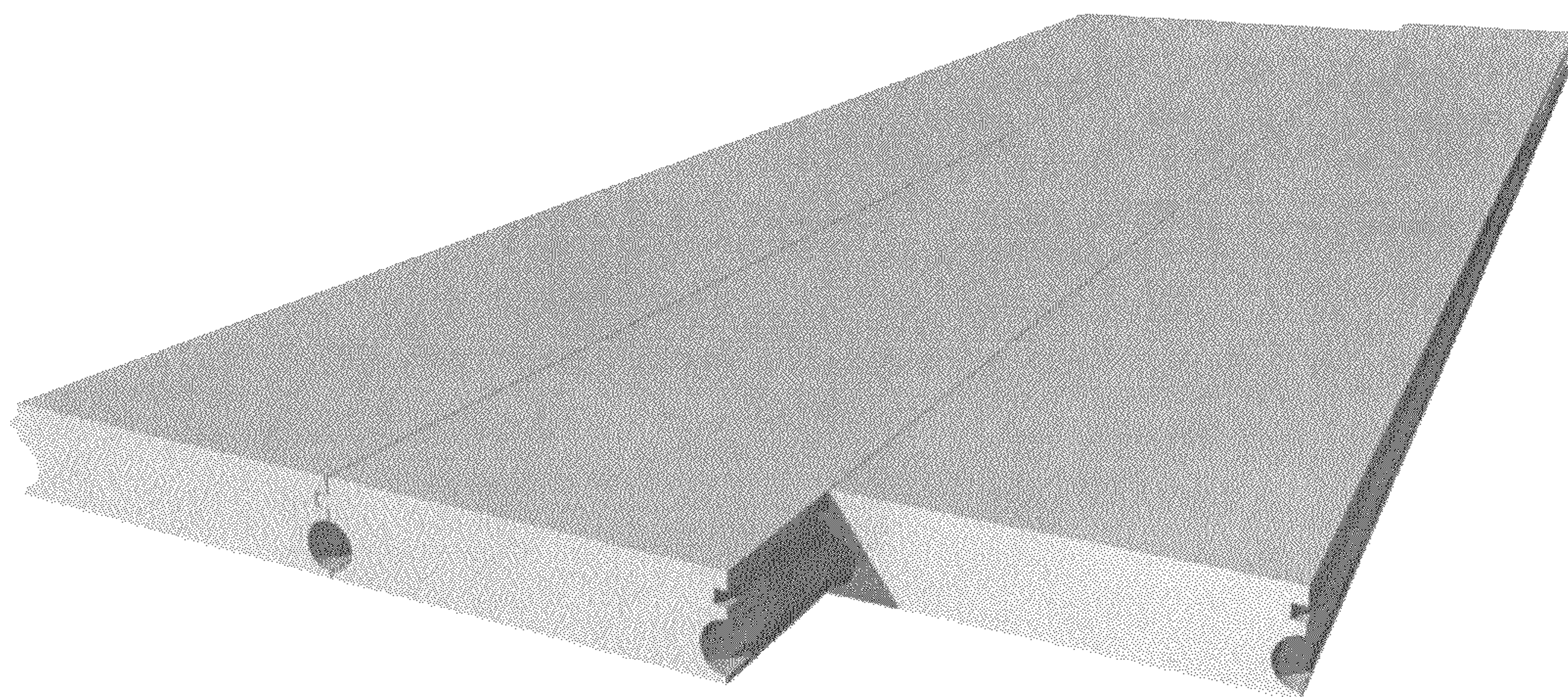


Figure 3

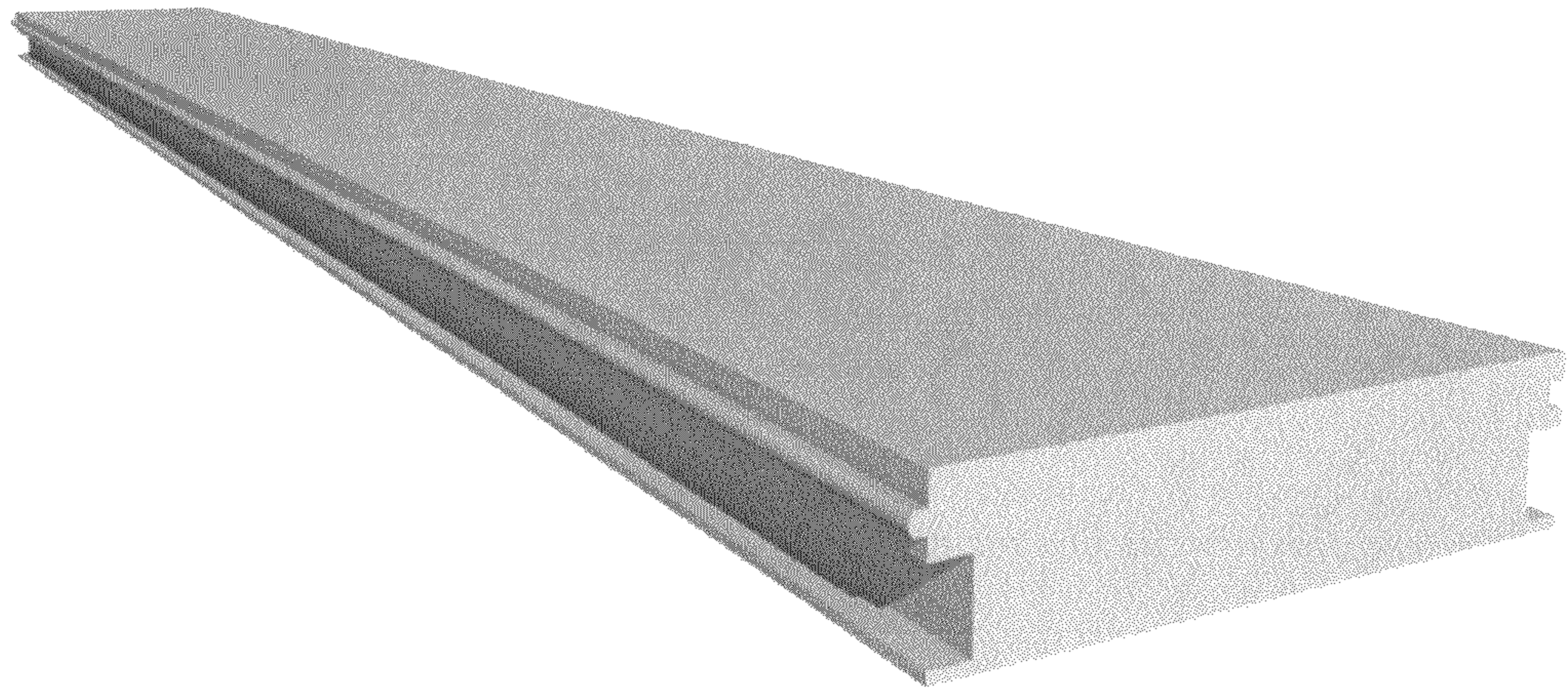


Figure 4

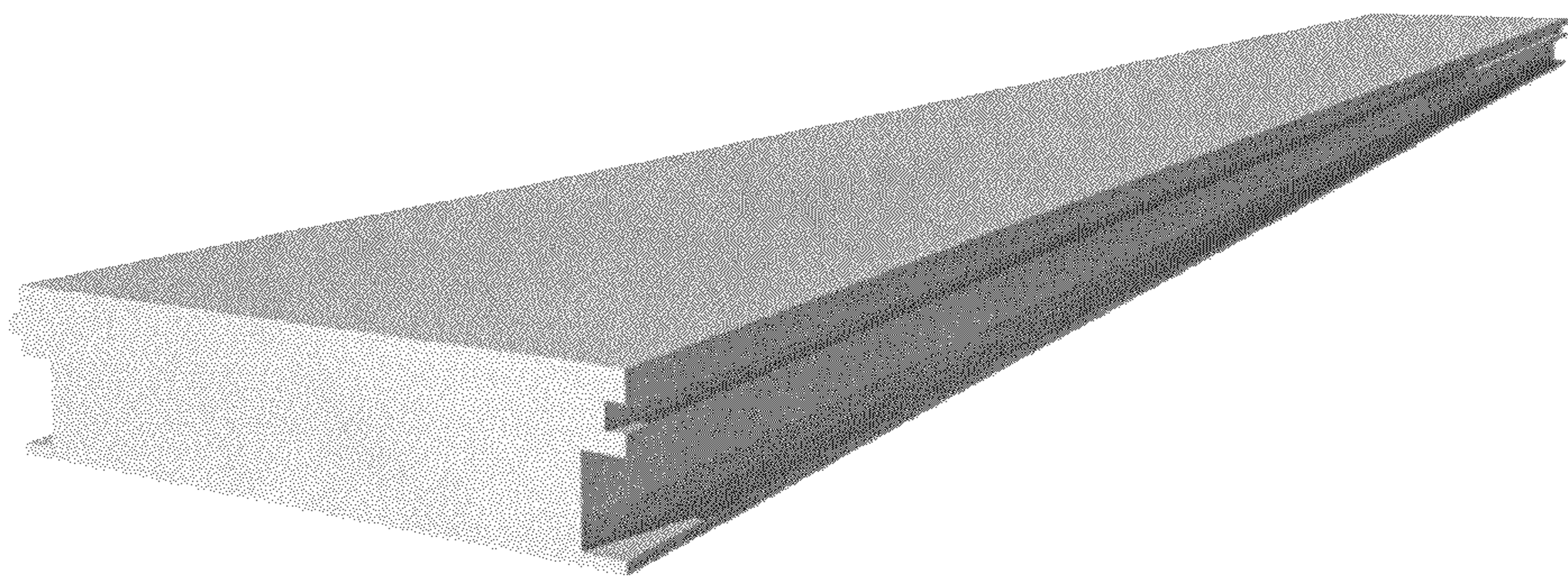


Figure 5

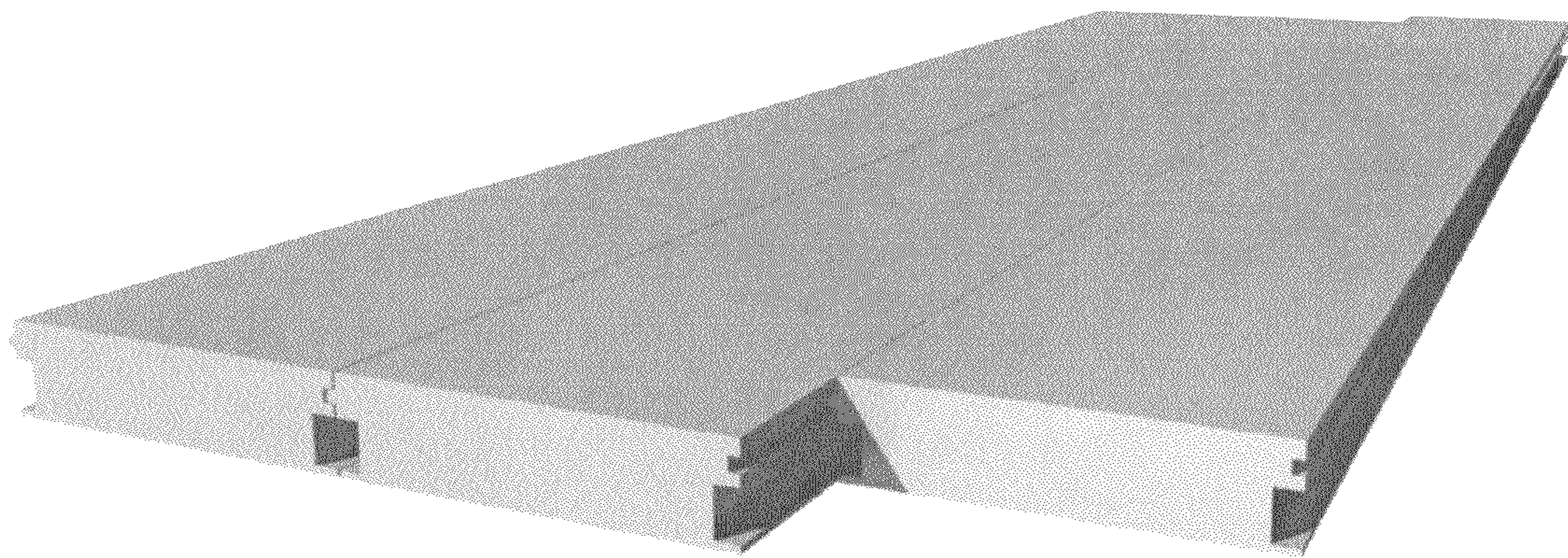


Figure 6

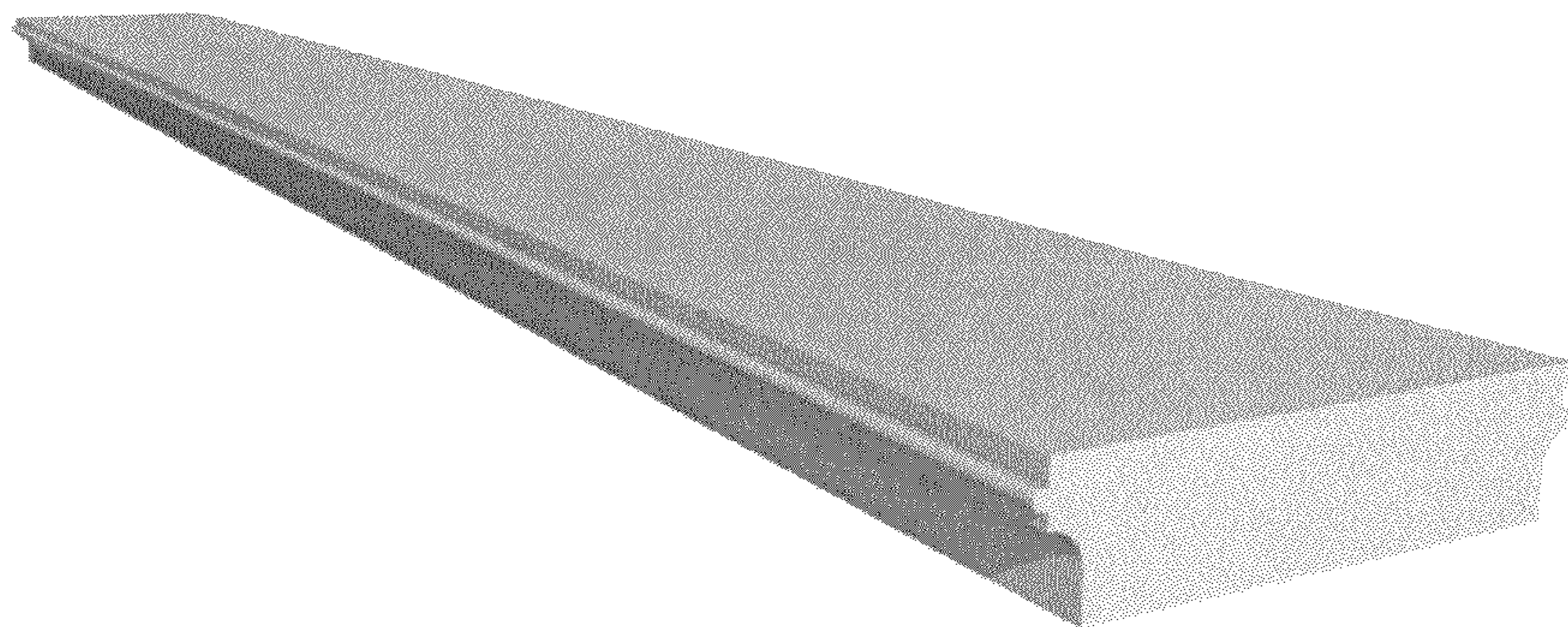


Figure 7

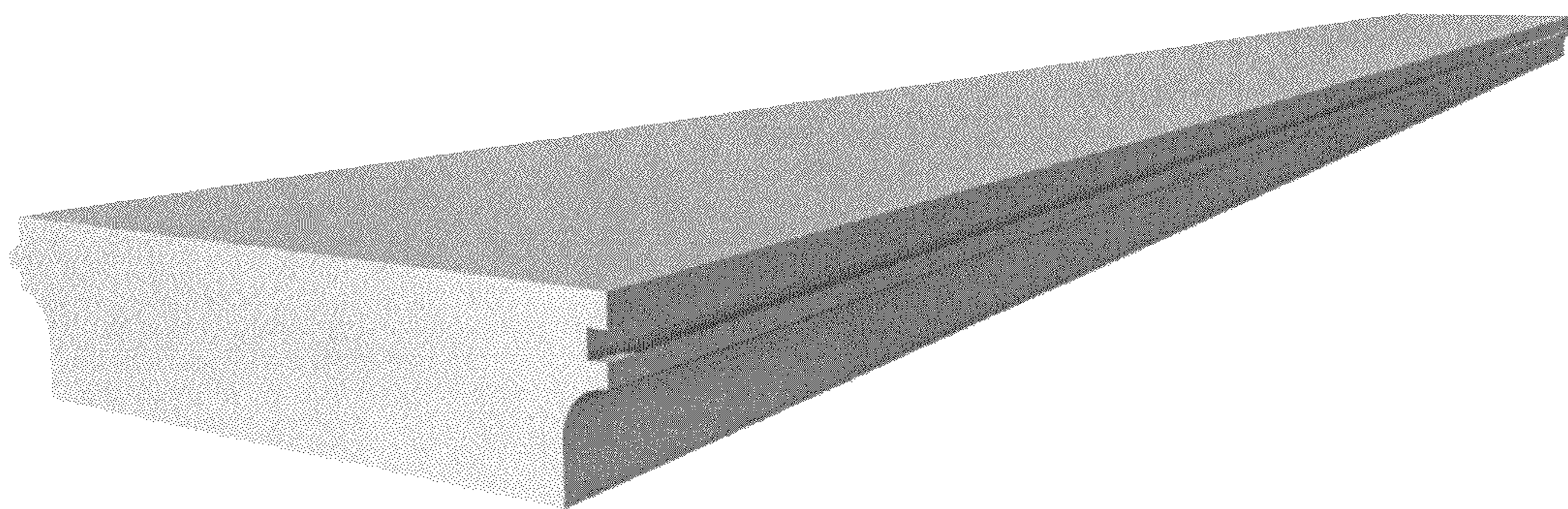


Figure 8

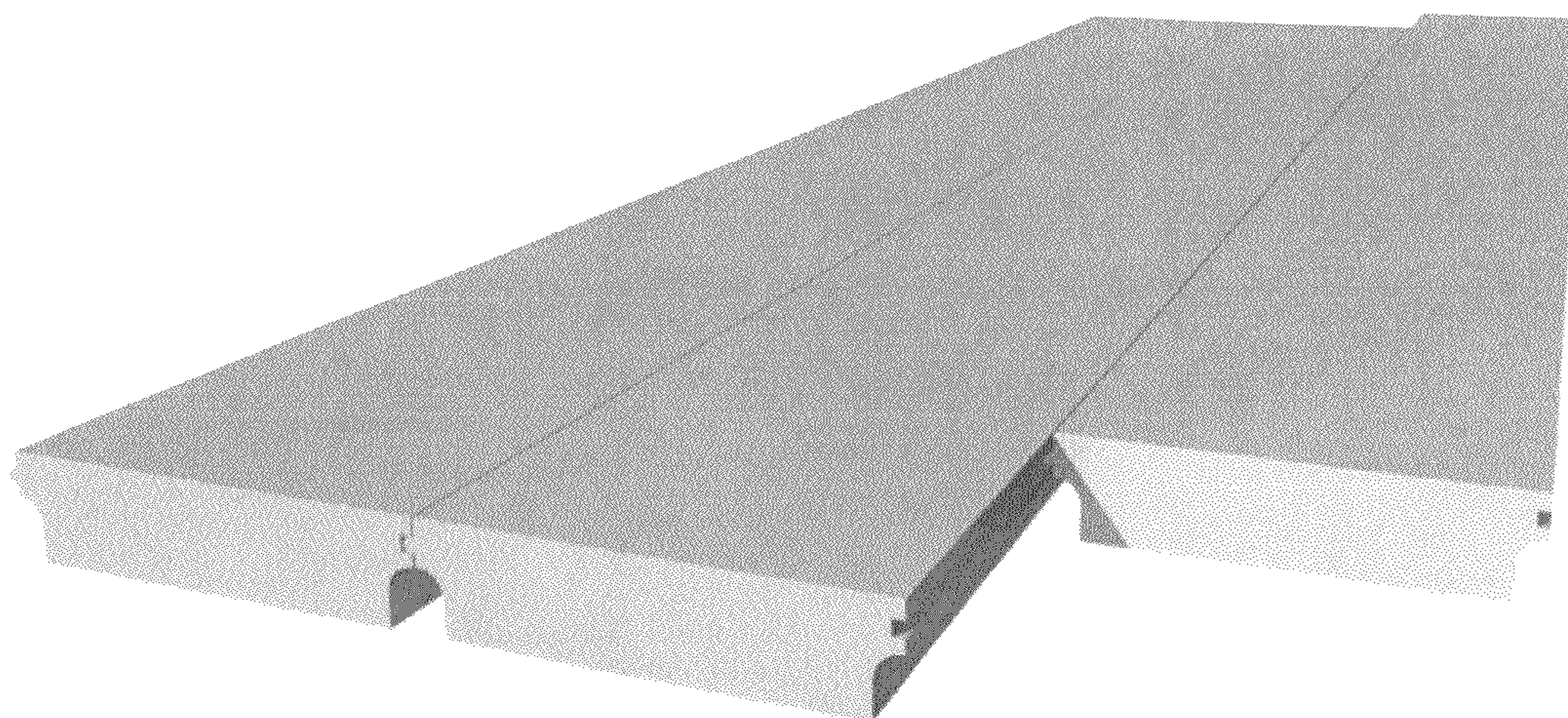


Figure 9